

CITROËN

SPARE PARTS CATALOGUE

DS 19

CITROEN

SPARE PARTS CATALOGUE

MECHANICAL AND BODY

DS 19

MODELS 1956 TO 1964



NO. 466

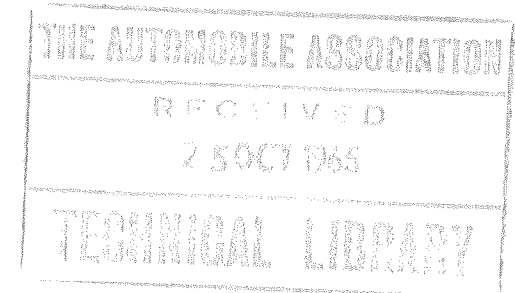
MARCH 1964 EDITION

CITROEN CARS LIMITED

TRADING ESTATE . SLOUGH . BUCKS.

ENGLAND

Telephones - Slough 23811 (10 Lines)



THE AUTOMOBILE ASSOCIATION,
TECHNICAL DEPARTMENT,
MANSION HOUSE,
LEICESTER SQUARE,
LONDON, W.C.2

Telegrams - Citroworks - Slough

Editor's note:

This is the last edition of the DS19 Parts list. So far as I am aware this edition amplifies, rather than replaces the early ones. We have also a very early edition, which may be of help for owners of the earliest cars, as its drawings show earlier versions of some parts, even if the part number is unchanged.

I've made a Bookmark index, which you can reveal and use by clicking on the 'Show/Hide Navigation Pane' icon at the top of the screen, or on the double-arrow gizmo near the bottom left of the screen. You'll then see an index, some of it nested. If you click on one of these Bookmarks you will be taken directly to the drawing which illustrates the section named in the Bookmark.

You can't, on a normal-sized computer monitor, show the picture and text simultaneously, in the way the printed original does with facing pages. I suggest that having gone to the drawing, and from there into the text, that if you wish to return to the drawing you use the Bookmark to do so, then the 'Back' button to get you back to where you were in the text if you need to return.

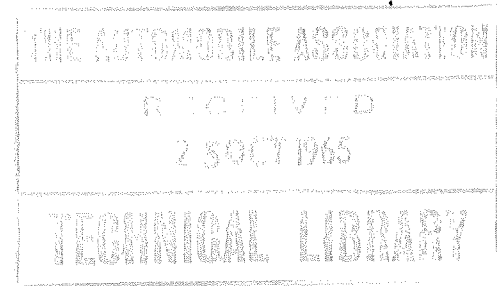
In the interests of clarity and economy of space I've occasionally shortened the names Citroën gave to the sections, but generally I've tried to remain faithful to the slightly idiosyncratic original. Likewise with the order. The logic of the division into sections is sometimes mysterious, but with luck the Bookmarks will help you find what you are looking for! I've certainly found that they permit me to find things much more quickly.

This document is the work of volunteer enthusiasts, intended for free distribution and use. The original is in the collection of Roger Wilkinson, and it was scanned by Joe Hovel. Please complain if you paid for it.

For updates see: <http://www.you-me-and-us.com/Site/Citroen%20publications%20list.html>

Please e-mail me with errors or omissions or suggestions for improvements at: tony@you-me-and-us.com

PREFACE



This catalogue consists of illustrations and descriptions of the mechanical and body parts for the DS 19, Models 1956 to 1964.

(a) Arrangement. The binding is of a type which allows easy replacement of the pages when any considerable changes are made.

(b) Classification and names. The parts are classified by units or groups. They are grouped, in the illustration, in the order in which they are assembled; in the text, on the opposite page, they are arranged in numerical order.

Finding a part number is thus made easy and rapid; when the length of the text requires the use of several pages, the illustration is repeated as often as needed.

We have added to the description of certain parts, dimensions and particulars which assist in quicker identification. These dimensions are given for identification only, and are subject to modification as may become necessary.

The numbers of each part used in a unit or sub-assembly is shown in the "Number off" column.

(c) Reading the Catalogue. Consult the body and chassis type symbols (Page V) in order to identify the type of chassis and body. Consult the Index (pp VI to IX) which refers to the text and illustration. Look for the part in the illustration on which the number is shown, look up this number on the text page and read the description there; should a part have several numbers on the illustration, look up these numbers on the text page to ensure successful identification.

With certain units and assemblies, different types of assembly have been dealt with in more than one chapter at the head of which the dates for the differing assemblies are given.

For parts not illustrated, and where there can be no difficulty in identifying them, look for the name and number directly in the text.

If it should happen that in some rare case you are not certain of being able to write out the order correctly, it is advisable to give us the chassis and engine numbers and the type of body.

The classification of the "Spare Parts" Department into Sections I, II, III and IV no longer applies to parts with numbers beginning with D, only, the classification "Section VI", however, still applies.

The parts in Section VI with D in the number, or with the old numbering, are incorporated, according to their purpose, in the chapters of the present catalogue but with the mention (Section VI) after the description.

Parts of the old series of numbering remain divided into sections indicated as (Section I), (Section II), (Section III), and (Section IV) after the part description.

(d) Placing orders.

1. Parts with numbers in the D series: Make out a separate order for -
 - Parts in Section VI.
 - Complete units, body, cylinder blocks.
 - All other parts together in full numerical order.
 - Do the same for parts belonging to the DB, DF, DM, DS, DW and DX series.

Parts with numbers belonging to the "General series":-

Make out a special order for each section (Section I), (Section II), (Section III), (Section IV), and (Section VI).

The orders for the "General series" made out in this way apply to parts for all vehicles indiscriminately.

Special order forms are available on application.

(e) Prices and conditions of sale. Prices are given in a separate list; they are subject to alteration without notice.

The conditions of sale are shown at the head of our price-lists (spare parts, reconditioned units and standard exchanges).

NUMBERING OF PARTS

The new system of spare parts numbering which we adopted several years ago is that used for the DS 19 Model, and each division of the catalogue begins with these parts. After them come parts common to this model and to others, these parts retaining their style of numbering.

METHOD

The number is composed of:

- (a) One or more capital letters indicating the type of car.
- (b) Two numbers of one to three figures separated by a hyphen.
Example: DS 331-1d. Gearbox and clutch casing.

The last figure may be followed by a small letter used to indicate a part which is the same (as regards its purpose) but not interchangeable because:

- it is asymmetrical (right or left-hand part)
- the dimensions are different

COMPOSITION OF NUMBERS

The car is divided into nine main sections (units or unit assemblies serving the same purpose) designated by the first figure of the first number, namely:

1. Engine proper.
2. Engine (accessories connected with its purpose).
3. Transmission (clutch, gearbox, drive shafts and joints).
4. Connection with the ground (front and rear axles, brakes, steering).
5. Electrical, visibility, signalling.
6. Safety, comfort, tools.
7. Chassis, platform, hull.
8. Body, fittings.
9. Upholstery, trimming.

These nine main sections are themselves divided into different groups represented by the second figure in the first number.

These groups, in turn, are divided into sub-groups indicated by the third figure in the first number.

Example: DS 331-0a - Gearbox lid assembled with selector forks and rods.

CLASSIFICATION OF PARTS IN THE CATALOGUE

In all our printed matter we have adopted the following classification in principle:

1. Numerical, in conjunction with two numbers but governed by the first.
2. Alphabetical for the index letters (as prefix or suffix).

For concrete examples, see Index (pp. X to LI).

CATALOGUE IN NUMERICAL ORDER

The parts to which this new system of numbering is applied are not included in our "Catalogue in numerical order, No. 502".

To make it more easy to find a part whose number you know, we have compiled an Index (pp. X to LI) in this catalogue which shows you the page on which the part concerned appears.

RECOMMENDATION

You should take great care to note exactly:

- The letters (capitals as prefix, small letters as suffix);
- The hyphens separating the two numbers.

The omission of one of these items when composing a number completely alters the meaning and you would thus risk making an error in writing out the number of a part and of being sent a part entirely different from the one wanted.

SYMBOLS USED

TO DESIGNATE CHASSIS AND BODY TYPES

(petrol engine models)

SYMBOLS	GENERAL CHARACTERISTICS
TYPE DS 19 BERLINE	<p>Engine: 4 cylinders 78 x 100 mm aluminium cylinder head;</p> <p>Clutch: Single plate;</p> <p>Gearbox: 4 speeds, hydraulically operated or mechanically operated;</p> <p>Steering: By rack and pinion assisted;</p> <p>Brakes: Disc type on front wheels, drum type on rear wheels;</p> <p>Suspension: Hydro-pneumatic;</p> <p>Front track: 1,500 mm;</p> <p>Rear track: 1,300 mm;</p> <p>Front wheels: 165 x 400;</p> <p>Rear wheels: 155 x 400 (French production);</p> <p>Rear wheels: 165 x 400 (British production);</p> <p>Body: four-door, five seats.</p>
TYPE DS 19 (EXPORT)	<p>Same characteristics as DS 19 (cars fitted with special equipment particularly against dust).</p>
TYPE DS 19 PRESTIGE	<p>Same characteristics as DS 19 BERLINE except: Body with partition.</p>
TYPE DS 19 CABRIOLET	<p>Same characteristics as DS 19 BERLINE except Body: 2 doors, 5 seats.</p>

TABLE OF CONTENTS

	PAGE NUMBERS		PAGE NUMBERS
WINGS, FRONT	322 to 329	BONNET	334 to 337
WINGS, REAR	330 to 333	HEATING AND VENTILATION	266 to 283
PETROL SYSTEM	32 to 35		
Petrol pump	32 to 35		
Tank pipes	32 to 35		
PARTITION	359		
		Hydraulic gear selector	102 to 105
		Gearbox complete	70
		Casing	71
		Lid	72 to 75
		Differential	92 and 93
		Forks and shafts:	
		- Hydraulic control	76 and 77
		- Mechanical control	78 and 79
GEARBOX	72 to 75	MECHANICAL GEAR L.H. steering	112 and 113
		CHANGE CONTROL, R.H. steering	114 and 115
		Speedometer drive	72 to 75
		Pinions, shafts :	
		- Hydraulic control	80 to 85
		- Mechanical control	86 to 91
		Gear selector	110 and 111
		Gearbox suspension	22 to 25
BODY	307	HEIGHT VARIATION L.H. steering	212 to 215
		CONTROL	216 and 217
		CUSHION, REAR	381
		DEMISTING	266 to 283
		Low pressure pump feed	94 and 95
		Clutch control	98 to 101
PIPING	106 to 109	STARTER	242 to 249
		Gearbox control	106 to 109
		Steering	202 to 211
		Brakes	194 to 201
		Suspension	202 to 211

TABLE OF CONTENTS (Cont'd).

	PAGE NUMBERS		PAGE NUMBERS
STEERING		BODY UNITS	
Levers and rods	144 to 147	Front units	308 to 315
Relay housings	144 to 147	Rear units	316 to 321
Piping	202 to 211		
Rack	136 to 139	CLUTCH	
Centring device	130 to 135	Mechanism, plate, fork	68 and 69
Hydraulic parts	140 to 143	Hydraulic control	98 to 101
Steering wheel bracket	130 to 135		
CUSHION, REAR	381	AXLE, FRONT	
		Anti-roll bars	172 to 177
		Arms, swivels, hubs	120 to 125
		Half axle complete	120 to 125
		Coupling levers	120 to 125
DYNAMO	234 to 241	AXLE, REAR	
		Anti-roll bars	126 to 129
		Arms complete	126 to 129
		Hubs and stub axles	126 to 129
EXHAUST	36 to 43	WINDSCREEN WIPER	250 to 255
		BRAKES	
Distributor	44 to 55	Brake unit, front	148 to 157
Horns	304	Piping	194 to 201
Battery	218 to 231	Hydraulic control	190 to 193
Coils	44 to 55	Mechanical control	182 and 183
Cables and electrical fittings	300 to 303	Handbrake (Mechanical control)	184 and 185
Ignition system	44 to 55	Backplates, rear shoes	158 to 161
Ignition control	44 to 55	Drum, rear	126 to 129
Switches	218 to 231	TRIMMING, FRONT AND REAR SEATS	381
ELECTRICAL			
Demister	266 to 283	GLASSES	
Starter	242 to 249	Rear light	361
Dynamo	234 to 241	Windscreen	361
Interior lighting	284 to 297	Front and rear doors (Berline)	342 to 345
Direction indicators and parking lights	284 to 297	Doors (Cabriolet)	360
Rear lights, stop lights, reflector	284 to 297		
Headlamps	284 to 297		
Radio	305		
Regulator	234 to 241		

TABLE OF CONTENTS (Cont'd).

	PAGE NUMBERS		PAGE NUMBERS
FITTINGS	Roof lining 384 and 385 Trimming for front and rear doors 382 and 383 Panel trimming 384 and 385 Rear boot trimming 384 and 385 Scuttle finishing panel 366 to 373 Headrest 386	WINDSCREEN	Glass 361 Sun visor 299 Channels 361 Rear view mirror 299
WINDSCREEN WASHER	226 to 233	BUMPERS	Bumpers, front 256 to 261 Bumpers, rear 262 to 265 Number plate 256 to 261 Brackets 256 to 261
WINDOW WINDER	Seals 348 to 359 Glasses for front and rear doors 348 to 359 Winder 348 to 359	ROOF	Finishing sections 338 to 341 Roof sills 338 to 341 Roof siderails 338 to 341 Quarter panels 338 to 341 Roof 338 to 341
REAR LIGHT	Seals 384 and 385 Glass 361 Channels 361	PEDAL GEAR	L. H. steering 186 and 187 R. H. steering 188 and 189
ENGINE	Camshaft 20 and 21 Connecting rods 16 to 19 Carburettor 10 to 13 Crankcase 2 to 5 Cylinder barrels 2 to 5 Accelerator) L. H. steering 26 to 29 control) R. H. steering 30 and 31 Cylinder head 6 to 9 Valve rockers 6 to 9 Timing 20 and 21 Air filter 14 and 15 Engine complete 1 Pistons 16 to 19 Water and low pressure pump 58 to 63 Oil pump and oil circulation 56 and 57 Valves 6 to 9 Engine suspension 22 to 25 Manifolds 10 to 13 Fan 58 to 63 Crankshaft 16 to 19	FACIA BOARD	Glove box 218 to 231 Ash trays 218 to 231 Glove box lid 218 to 231 Facia panels 366 to 373 Speedometer surround 366 to 373 Facia board 366 to 373 Control 218 to 231
TOOLS	306	DOORS, FRONT AND REAR	Hinges 342 to 345 Door frame fittings 342 to 345 Doors, front - BERLINE 342 to 345 Doors, rear - BERLINE 342 to 345 Doors - CABRIOLET 360 Door frame channels 342 to 345

TABLE OF CONTENTS (end).

	PAGE NUMBERS		PAGE NUMBERS
REAR BOOT DOOR		DASHBOARD	218 to 231
Stays	362 to 365		
Hinges	362 to 365	CARPETS, FRONT AND REAR	386
Interior lining	384 and 385		
Rear boot door	362 to 365	DRIVESHAFTS	116 to 119
RADIO	305		
RADIATOR			
Water piping	64 to 67		
Fan cowl	64 to 67		
WHEELS - Wheel accessories	306		
LOCKS			
Door handles, front and rear	346 and 347		
Locks, front and rear	346 and 347		
FRONT SEATS	374 to 379		
SUSPENSION.....			
Dampers, front	172 to 177		
Dampers, rear	178 to 181		
Protection plugs	204 to 207		
Suspension piping	202 to 211		
Control valve - Accumulator	166 to 171		
Front cylinder - Front corrector - Suspension sphere	172 to 177		
Rear cylinder - Rear corrector - Suspension sphere	178 to 181		
Suspension pump	162 to 165		
Reservoir - distribution unit	166 to 171		

NUMERICAL INDEX

NUMBER	DESIGNATION	SECTION	PAGE No.	REMARKS	NUMBER	DESIGNATION	SECTION	PAGE No.	REMARKS
DS 1-03	Engine		1		DS 112-4	Screw		6	
DS 1-03b	Engine		-		DM 112-87	Plate		-	
DS 1-03c	Engine		-		DM 112-88	Gasket	VI	6-283	
DS 1-03e	Engine		-		DS 112-91	Gasket		6	
DS 1-03f	Engine		-		DS 112-91a	Gasket		-	
DW 1-03a	Engine		-		DS 112-92	Collar	VI	-	
D 8-05b	Body		307		DS 112-92a	Washer	VI	-	
DS 8-05b	Body		-		DS 112-97	Tube		-	
DS 8-05f	Body		-		DS 113-97a	Tube		-	
DS 8-05h	Body		-		DS 113-02	Baffle		2	
DS 8-05i	Body		-		D 113-7	Gasket	VI	-	
DS 8-05j	Body		-		D 113-8	Gasket	VI	-	
DS 8-05k	Body		-		D 113-11	Gasket	VI	-	
DW 8-05a	Body		-		D 113-12	Gasket	VI	-	
DS 8-09a	Rear body unit		316-319		DM 113-16	Half bearing	VI	17	
DS 8-09b	Rear body unit		-		DS 113-16b	Half bearing	VI	-	
D 8-98	Dashboard		308		DM 113-17	Half bearing	VI	-	
DS 8-98	Dashboard		308-312		DS 113-17b	Half bearing	VI	-	
DW 8-98	Dashboard		312		DM 113-18	Half bearing	VI	-	
DS 8-98a	Dashboard		-		DS 113-18	Half bearing	VI	-	
DX 8-98	Dashboard		-		DS 113-50	Pipe		2	
DS 33-0	Gearbox		70		DS 113-91a	Bearing ring	VI	17	
DS 33-0a	Gearbox		-		DS 113-91b	Bearing ring	VI	-	
DS 33-0c	Gearbox		-		DS 113-91c	Bearing ring	VI	-	
DS 33-0i	Gearbox		-		DM 113-96	Pipe		2	
DS 33-0j	Gearbox		-		D 113-97	Plate		-	
DW 33-0a	Gearbox		-		D 113-98	Screw		-	
DS 33-01m	Gearbox		-		DM 114-5a	Cylinder block		-	
DW 33-01g	Gearbox		-		DS 114-5	Cylinder block		-	
DS 41-03	Half axle		120		DS 114-5d	Cylinder block		-	
DS 41-03a	Half axle		-		DF 114-85	Gasket	VI	-	
D 64-1	Motor	VI	271-275-280		DF 114-86	Plate		-	
D 64-1a	Motor	VI	271		DS 121-04	Crankshaft		17	
D 64-2	Assembly	VI	-		DS 121-04k	Crankshaft		-	
DS 111-01	Set of sleeves		2		DS 121-04t	Crankshaft		-	
DS 111-01c	Set of sleeves		-		DS 121-04v	Crankshaft		-	
D 111-3a	Gasket	VI	-		D 121-05	Flywheel		-	
DS 111-3	Gasket	VI	-		DS 121-05	Flywheel		-	
DS 112-01	Cylinder head		6		DM 121-010	Connecting rod		-	
DS 112-01a	Cylinder head		-		DS 121-010	Connecting rod		-	
DS 112-3a	Gasket	VI	-		D 121-2c	Bush	VI	-	
DS 112-3b	Gasket	VI	-		D 121-2d	Bush	VI	-	
D 112-4	Screw		-		D 121-6	Piston ring		-	
D 112-4a	Screw		-		DS 121-6	Piston ring		-	

NUMBER	DESIGNATION	SECTION	PAGE No.	REMARKS
DS 121-6a	Piston ring	VI	17	
DS 121-7	Piston ring		-	
DM 121-9	Half bearing	VI	-	
DM 121-9a	Half bearing	VI	-	
DS 121-10	Nut		-	
D 121-13	Screw		-	
DS 121-13	Screw		-	
DS 121-15	Ring		-	
DS 121-22	Washer		-	
DS 121-88	Cap	VI	-	
D 121-92a	Screw		18	
DS 121-92	Screw		-	
D 121-98	Dowel	VI	-	
DS 121-98	Dowel	VI	-	
DS 121-99a	Washer		-	
DM 123-0a	Camshaft		21	
DS 123-0	Camshaft		-	
DS 124-1	Tappet		-	
DS 124-2	Rocker		6	
DS 124-2a	Rocker		-	
DS 124-3	Guide		-	
DS 124-3a	Guide		-	
DS 124-5	Push-rod		21	
DS 124-5a	Push-rod		-	
DS 124-5d	Push-rod		-	
DS 124-5e	Push-rod		-	
DS 124-6	Rockershaft		6	
DS 124-7	Valve		-	
DS 124-8a	Valve		-	
DS 124-9	Spring		-	
DS 124-11	Cup		-	
DS 124-17	Bracket		-	
DS 124-17a	Bracket		-	
DS 124-20b	Rocker		-	
DS 124-20c	Rocker		-	
DS 124-21	Rockershaft		-	
DS 124-21a	Rockershaft		-	
DS 124-22	Bracket		-	
DS 124-22a	Bracket		-	
DS 124-23	Bracket		-	
DS 124-23a	Bracket		-	
DS 124-23b	Bracket		-	
DS 124-25	Spring		-	
DS 124-26	Cup	VI	-	
DS 124-27	Cup	VI	-	
DS 124-78	Cap	VI	-	
DS 124-80	Spring		-	
D 124-85	Washer		-	
DS 124-85	Washer		-	

NUMBER	DESIGNATION	SECTION	PAGE No.	REMARKS
DS 124-86	Distance piece		6	
DS 124-87	Washer		-	
DS 124-87a	Washer		-	
DS 124-87b	Washer		-	
DS 124-95	Cap	VI	-	
DS 124-97	Washer	VI	9	
DS 124-98	Spring		-	
DS 126-1	Damper	VI	18	
D 131-1	Cover		2	
DS 131-1a	Cover		-	
DS 131-10	Washer		18	
DS 132-01	Breather		2	
DS 132-2	Cylinder head cover		9	
DS 132-2a	Cylinder head cover		-	
DS 132-2b	Cylinder head cover		-	
DS 132-4	Gasket		-	
DS 132-4a	Gasket		-	
D 132-9	Gasket	VI	2	
D 132-9a	Gasket	VI	-	
D 132-9b	Gasket	VI	-	
D 132-9c	Gasket	VI	-	
D 132-9d	Gasket	VI	-	
DS 132-10	Breather	VI	-	
DS 132-48	Union	VI	9A	
DS 132-71a	Stud		9	
DS 132-77	Distance piece		-	
DS 132-78	Support	VI	9A	
DS 132-79	Valve	VI	-	
DS 132-80	Support	VI	-	
DS 132-81	Cap	VI	9	
DS 132-91	Oil deflector	VI	9A	
DS 132-92b	Tube		-	
DS 132-93	Seal		-	
DS 132-94	Grille	VI	-	
DS 132-95	Extension	VI	-	
DS 132-97	Extension	VI	-	
D 132-98	Sump		2	
DM 132-98	Sump		-	
DS 133-3	Crossmember		22	
DS 133-5	Bearer		25	
DS 133-5b	Bearer		-	
D 133-6	Bearer		22	
D 133-11a	Crossmember		-	
DS 133-11	Crossmember		-	
DS 133-11a	Crossmember		-	
D 133-12a	Arm		-	
D 133-14	Bearer		-	
D 133-50	Half bush		-	
D 133-57	Distance piece		-	

NUMBER	DESIGNATION	Section	PAGE No.	REMARKS
D 133-58	Packing		22	
D 133-58a	Packing		-	
D 133-59	Half bush		-	
DS 133-59	Half bush		-	
D 133-60a	Cap		-	
DS 133-66	Nut		25	
D 133-71	Cup		22	
DS 133-74	Arm		-	
DS 133-74a	Arm		25	
DS 133-74c	Arm		-	
DS 133-75	Arm		22	
DS 133-75a	Arm		25	
DS 133-75c	Arm		-	
D 133-84	Buffer		22	
D 133-90	Bracket		-	
DS 133-90	Bracket		25	
DS 133-90a	Bracket		-	
D 133-91	Bracket		22	
DS 133-91	Bracket		25	
DS 133-91a	Bracket		-	
D 133-92	Spindle		22	
DS 133-94	Protection cap		-	
DF 133-97	Protection cap	VI	25	
DS 133-97	Protection cap	VI	-	
D 133-102	Bush		22	
D 133-107	Washer		22-25	
D 133-113	Cup		25	
D 133-116	Bracket		22	
DM 133-116	Bracket		-	
D 133-117a	Thrust block housing		-	
D 133-118	Thrust block		-	
D 133-135	Washer		25	
D 133-136	Packing		-	
DS 133-139	Plate		-	
DS 141-02	Manifold		10	
DS 141-02a	Manifold		-	
DS 141-02b	Manifold		-	
DS 141-11	Gasket	VI	-	
DS 141-11a	Gasket	VI	-	
DS 141-11b	Gasket	VI	-	
DS 141-12	Gasket	VI	-	
DS 141-13	Housing		-	
DS 141-13a	Housing		-	
DS 141-13b	Inlet chamber		9A	
DS 141-88	Pipe		10	
DM 141-95	Plate		-	
DS 141-95	Plate	VI	-	
DS 141-95a	Plate		9A	
DS 141-96	Gasket	VI	10	

NUMBER	DESIGNATION	Section	PAGE No.	REMARKS
DM 141-97	Gasket	VI	10	
DS 141-97	Gasket	VI	-	
DF 141-98	Union		-	
DS 141-98	Union		-	
DS 141-98a	Union		-	
DS 141-99	Pipe		-	
DS 141-99a	Pipe		-	
DS 142-09	Device		26	
DS 142-09b	Device		-	
DS 142-010a	Cylinder		-	
DS 142-020	Body		26-30	
DS 142-1	Pedal		26	
DS 142-1a	Pedal		-	
DS 142-5	Spring		-	
DS 142-5a	Spring		26-30	
DS 142-6a	Bearing		26	
DS 142-7	Lever		-	
DS 142-7a	Lever		-	
DS 142-8	Gasket	VI	10	
DM 142-10a	Bearing		30	
DM 142-11e	Pedal	VI	-	
DM 142-13a	Crank	VI	-	
DM 142-13b	Crank		-	
DS 142-24	Pipe		10	
DF 142-25	Tube		-	
DS 142-25a	Tube		10-65	
DS 142-53	Plate		26	
DS 142-54	Cup		10	
DS 142-56a	Bracket		26-30	
DS 142-58	Distance piece		26	
DS 142-60	Plate		-	
DS 142-62	Pipe		-	
DS 142-62a	Pipe		-	
DS 142-62b	Pipe		26-30	
DM 142-65a	Plate		30	
DM 142-70a	Bushed plate	VI	-	
DS 142-80	Rod		26	
DS 142-80a	Rod		-	
DS 142-80c	Rod		26-30	
DS 142-90	Sleeve		26	
DS 142-95	Gasket	VI	26-167-191	
DS 142-98	Distance piece	VI	10	
DS 142-98a	Distance piece	VI	-	
DS 142-98b	Distance piece	VI	-	
DS 142-98c	Distance piece	VI	-	
DS 142-99	Relay		26	
DS 142-99c	Relay		26-30	
DW 142-99	Relay		-	
DS 142-106	Union		10	

NUMBER	DESIGNATION	Section	PAGE No.	REMARKS
DS 142-109	Ball pin		26-30	
DS 142-112a	Nut		-	
DS 142-115	Plate		26	
DS 142-116	Washer		-	
DS 142-116a	Washer		26-30	
DS 142-117	Plate		26	
DS 142-118	Bush		26-30	
DM 142-121	Connecting rod	VI	30	
DS 142-121	Peg		26	
DS 142-122a	Distance piece		-	
DS 142-132	Dust cover		-	
DS 142-133	Spring		-	
DM 142-137a	Bracket	VI	30	
DS 142-138	Spring		29	
DS 142-138a	Spring		-	
DS 142-139	Plate		-	
DS 142-139a	Plate		29	
DS 142-139b	Plate		-	
DM 142-145	Plate		30	
DS 142-150	Bracket	VI	29	
DS 142-170	Nut		-	
DS 142-171	Gasket		-	
DS 142-202	Gasket	VI	-	
DS 142-202a	Gasket	VI	29-30	
DM 171-0g	Air filter	VI	14	
DS 171-0	Air filter	VI	-	
DS 171-0a	Air filter	VI	-	
DS 171-0b	Air filter	VI	-	
DS 171-0c	Air filter		-	
DS 171-0d	Air filter	VI	-	
DS 171-0i	Air filter	VI	-	
DM 171-3	Union		-	
DS 171-3	Union		-	
DS 171-3a	Union	VI	-	
DS 171-3c	Union		-	
DS 171-5	Element	VI	-	
DS 171-5a	Element	VI	-	
DS 171-5b	Element	VI	-	
DS 171-5c	Element	VI	-	
DM 171-10	Cup	VI	-	
DM 171-56a	Bracket	VI	-	
DS 171-60	Clip	VI	-	
DM 171-61	Rubber	VI	-	
DM 171-63	Packing		-	
DM 171-65	Bracket		-	
DS 171-72	Clip		-	
D 171-91	Bush		-	
DM 171-96b	Support		-	
DS 171-96	Support		-	

NUMBER	DESIGNATION	Section	PAGE No.	REMARKS
D 173-0a	Pump	VI	33	
DS 173-0	Pump	VI	-	
DM 173-8	Diaphragm	VI	-	
DM 173-9	Gasket	VI	-	
DS 173-9	Gasket	VI	-	
D 174-3	Pipe	VI	-	
DS 174-7	Pipe		-	
DS 173-67	Shield		-	
D 174-72	Grommet		-	
D 174-73	Bracket		-	
D 174-75	Bush		-	
D 174-76	Plate		-	
D 174-77	Plate		-	
D 174-80	Bracket		-	
D 174-81	Pipe		-	
D 174-82	Pipe		-	
D 175-03	Cap	VI	-	
D 175-1	Tank	VI	-	
D 175-2	Panel		331	
DS 175-2a	Panel		332	
D 175-4a	Manifold	VI	33	
DS 175-5	Tank unit	VI	-	
DM 175-5a	Tank unit	VI	-	
DS 175-5b	Tank unit	VI	-	
DS 175-5c	Tank unit	VI	-	
D 175-9a	Union		-	
DM 175-13	Filter	VI	33-72	
DS 175-14a	Plug	VI	33	
DM 175-16a	Cover		316-319	
DS 175-16b	Cover		319	
D 175-17	Sealing strip	VI	33	
D 175-18	Strap		-	
D 175-53	Packing		-	
DM 175-53	Packing		-	
D 175-54	Packing		-	
D 175-60	Buffer	VI	-	
D 175-63	Plate		-	
DS 175-63	Plate	VI	-	
D 175-66	Sleeve		-	
D 175-67	Strap		-	
D 175-72	Clip		-	
D 175-75	Sleeve		-	
D 175-80	Washer		-	
DS 175-81	Cup	VI	-	
D 175-83	Sleeve		34	
DS 175-84	Pipe	VI	-	
D 175-86	Spring		331	
DS 175-86a	Spring		332	
DS 175-89	Pin		-	

NUMBER	DESIGNATION	Section	PAGE No.	REMARKS
DS 175-91	Hinge		332	
D 175-92	Buffer		331-332-339-373	
D 175-103	Support		34	
D 175-108	Protecting piece		-	
DM 175-110	Bracket	VI	-	
DS 181-1	Manifold		10	
DS 181-1a	Manifold		-	
DS 181-1b	Manifold		-	
DS 181-2	Gasket	VI	-	
DS 181-3	Gasket	VI	13	
DS 181-4b	Bracket		-	
DS 181-4d	Bracket		-	
DS 181-5b	Bracket		-	
DS 181-5d	Bracket		-	
DS 181-6	Shield		-	
DS 181-6a	Shield		-	
DS 181-6c	Shield		-	
DS 181-6d	Shield		-	
DS 181-6e	Shield		-	
DS 181-8	Plate		-	
DS 181-9	Shield		-	
DS 181-11	Plate		-	
DS 181-14	Shield		-	
DS 181-71	Plug	VI	-	
DS 181-75	Grommet	VI	-	
DS 181-77	Plate		-	
DS 181-87a	Panel		-	
DS 181-87b	Panel		-	
DS 181-99	Plate	VI	-	
DS 182-1	Expansion chamber		37	
DS 182-1a	Expansion chamber		-	
DS 182-1b	Expansion chamber		-	
D 182-3	Pipe	VI	-	
D 182-3a	Pipe	VI	-	
DM 182-3b	Pipe	VI	38	
DM 182-3c	Pipe	VI	-	
DS 182-3	Pipe	VI	41	
DS 182-3a	Pipe	VI	-	
DS 182-4	Pipe	VI	-	
D 182-6a	Half clip		37-38-41	
D 182-7	Gasket	VI	37	
DM 182-7	Gasket	VI	38	
DM 182-7a	Gasket	VI	-	
DS 182-51	Pipe		41	
DS 182-54	Pipe		38	
DS 182-54a	Pipe	VI	41	
DS 182-62	Distance piece		37-38	
DM 182-64	Half clip		38	
DS 182-68a	Bracket		37-38	

NUMBER	DESIGNATION	Section	PAGE No.	REMARKS
D 182-69a	Clip	VI	37	
DM 182-69	Flange		38	
DS 182-69	Clip		41	
D 182-76	Half clip		37	
DM 182-76	Half clip		38	
DS 182-76	Half clip		41	
DS 182-76a	Half clip		-	
DS 182-78	Clip		-	
DS 182-79	Clip		37-38	
DS 182-79a	Clip		41	
DS 182-80	Strap		37-38-41	
D 182-83	Fish tail		37	
D 182-84	Plate	VI	37-38-41	
D 182-85	Distance piece	VI	-	
DS 182-87	Buffer		38-41	
DS 182-91	Screw		-	
D 182-96a	Screw		37	
D 182-98	Clip		-	
DM 182-101	Clip		38	
DS 182-101	Clip		41	
DS 182-116	Plate		-	
DM 183-0	Silencer		38	
DS 183-0	Silencer		37	
DS 183-0a	Silencer		-	
DS 183-0b	Silencer		-	
DS 183-0c	Silencer		41	
DS 183-45	Support clamp		-	
DS 183-45a	Support clamp		-	
DS 183-61	Shield		-	
DS 183-62	Shield		-	
D 183-69	Plate	VI	37-38	
D 183-70	Clamp		-	
DS 183-70	Clamp		38	
DS 183-70a	Clamp		41	
DS 183-70b	Plate		-	
D 183-71	Spring		37-38	
DS 183-71	Spring		38	
DS 183-71a	Spring		41	
DS 183-71b	Spring		-	
DS 183-71c	Spring		-	
D 183-72	Packing		37-38	
DS 183-72	Packing		38-41	
DS 183-72a	Packing		41	
DS 183-83	Washer	VI	-	
D 183-93	Plate		37-38-41	
DS 183-93	Plate		41	
DS 211-05	Distributor	VI	45	
DS 211-05b	Distributor	VI	49-53	
DS 211-05c	Distributor	VI	-	

NUMBER	DESIGNATION	Section	PAGE No.	REMARKS
DS 211-1	Control	VI	45-49-219-223	
DS 211-4	Cam	VI	45	
DS 211-6	Weight	VI	-	
DM 211-8	Condenser	VI	49-53	
DS 211-8	Condenser	VI	45	
DS 211-9	Cover	VI	-	
DS 211-10	Spring		45-49	
DW 211-10	Spring	VI	49-53	
DM 211-15	Distributor head	VI	-	
DM 211-15a	Distributor head	VI	-	
DM 211-16	Rotor	VI	-	
DM 211-16a	Rotor	VI	-	
DM 211-17a	Arm with contact	VI	-	
DS 211-17	Contact breaker	VI	45	
DS 211-17a	Contact breaker	VI	-	
DS 211-17b	Contact breaker	VI	49-53	
DW 211-48	Trunnion	VI	-	
DW 211-49	Trunnion	VI	-	
D 211-56	Bush		219-223-227	
DM 211-60	Lever		49	
DS 211-60	Lever		45	
DW 211-60	Lever	VI	49-53	
DS 211-62	Panel		45-49	
DW 211-62	Panel	VI	49-53	
DS 211-66	Terminal	VI	45	
DS 211-74	Screw	VI	-	
DS 211-80	Terminal	VI	-	
DS 211-93	Circlip	VI	-	
DS 212-05	Cable		-	
DM 212-08b	Coil	VI	49-53	
DM 212-08c	Coil	VI	-	
DS 212-013	Connection	VI	49	
DS 212-5a	Cable		-	
DS 212-5h	Cable	VI	53	
DS 212-6a	Cable		49	
DS 212-6h	Cable	VI	53	
DF 212-7a	Sparking plug	VI	-	
DS 212-7	Sparking plug	VI	45-49	
DS 212-7b	Sparking plug	VI	49	
DS 212-7d	Sparking plug	VI	53	
DS 212-9	Cable		49	
DS 212-9e	Cable	VI	53	
DS 212-12	Cable		45	
DS 212-12a	Cable		49	
DS 212-12h	Cable	VI	53	
DS 212-13	Cable		45	
DS 212-13a	Cable		49	
DS 212-13h	Cable	VI	53	
D 212-14a	Switch	VI	45-49-219-223	

NUMBER	DESIGNATION	Section	PAGE No.	REMARKS
DW 212-14a	Switch	VI	49-53-227	
DS 212-22a	End piece	VI	49	
DF 212-52	Plate		49-53	
DS 212-54	End piece	VI	45-49	
DS 212-55	End piece	VI	49	
DS 212-70	Sheath	VI	45-49	
DS 212-70a	Sheath	VI	49	
DS 212-70b	Sheath	VI	53	
DS 212-70c	Sheath	VI	-	
DS 212-71	End piece	VI	45-49	
DS 212-71a	End piece	VI	53	
DS 212-72	Rod	VI	45-49	
DS 212-72a	Rod	VI	49	
DS 212-72b	Rod	VI	53	
DS 212-72e	Rod	VI	-	
DS 212-72f	Rod	VI	-	
DS 212-73a	Bracket		50-53	
DS 212-73d	Bracket		53	
DS 212-77	Protector	VI	50	
DS 212-77a	Protector	VI	53	
DS 212-79	Protector	VI	-	
DS 212-82	Arm		45	
DS 212-83	Screw	VI	53	
D 212-96	Bracket		45-50-219-223	
DS 212-113	Plug	VI	9-45-50	
DS 212-113a	Plug	VI	53	
DS 212-115	Plug		45	
DS 212-115a	Plug		45-50-53	
DS 212-116	Cap		45-50	
DS 212-117	Washer		45	
DS 221-1	Filler	VI	9	
DS 221-83	Filter	VI	-	
DS 221-92	Gasket	VI	-	
DS 221-96	Guide	VI	2	
D 222-01	Pump		57	
DS 222-01	Pump		-	
D 222-3	Piping		-	
D 222-4	Body		-	
DS 222-5	Spring		-	
DS 222-7	Pinion		-	
DS 222-11	Base		-	
DS 222-12a	Pinion	VI	-	
DS 224-1	Pipe		-	
DF 231-04	Pump		62	
DF 231-04a	Pump		-	
DS 231-04b	Pump		58	
D 231-1	Body		-	
DF 231-1	Body		62	
DF 231-1a	Body		-	

NUMBER	DESIGNATION	Section	PAGE No.	REMARKS
DS 231-1c	Body		58	
DS 231-2	Pipe		65	
D 231-3	Spindle		58	
DF 231-3	Spindle		62	
DS 231-3	Spindle		58	
DS 231-3a	Spindle		-	
DS 231-3b	Spindle		-	
D 231-4a	Pulley		-	
DM 231-4a	Pulley		62	
DS 231-4	Pulley		58	
D 231-5a	Pulley		21	
DF 231-5	Pulley		-	
DS 231-5	Pulley		-	
DS 231-5a	Pulley		-	
D 231-6	Belt	VI	58	
DM 231-6	Belt	VI	62	
DS 231-6	Belt	VI	-	
D 231-8a	Spindle		21	
DM 231-8	Spindle		-	
DS 231-8	Spindle		-	
D 231-10	Piping		65	
D 231-11	Piping		21	
DS 231-61	Screw		21	
DS 231-62	Key	VI	58	
DS 231-65	Cover		-	
DS 231-65a	Cover		62	
D 231-66	Piping	VI	58	
D 231-67	Pipe		-	
DS 231-67	Pipe		-	
D 231-68	Union		-	
D 231-69	Nut		21	
DS 231-74	Washer		-	
D 231-76	Key	VI	-	
D 231-77	Bush	VI	58	
D 231-79	Washer		-	
D 231-80	Spring		-	
DS 231-80	Spring		-	
D 231-81	Washer		-	
DS 231-81	Washer		-	
DS 231-82	Cage		-	
D 231-83	Washer		-	
D 231-84	Gasket	VI	-	
D 231-87	Gasket	VI	58-62	
D 231-88	Gasket	VI	-	
D 231-91	Washer		21-58-62	
DM 231-91	Washer		21	
DS 231-91	Washer		-	
DS 231-92	Washer		61-62	
DS 231-92a	Washer		-	

NUMBER	DESIGNATION	Section	PAGE No.	REMARKS
DS 231-92b	Washer		61-62	
DS 231-92c	Washer		-	
D 231-93	Washer		21	
D 231-93a	Washer		-	
DS 231-100	Gasket	VI	72	
D 232-03	Cap	VI	65-66	
DM 232-8a	Blind	VI	65	
DM 232-9a	Control	VI	-	
DM 232-50	Shield		-	
DM 232-64	Protector	VI	-	
DM 232-65	Clip	VI	-	
DM 232-66	Support		-	
DS 232-75	Support	VI	-	
DS 232-78a	Stay		65-66	
D 232-82	Packing		-	
D 232-82a	Packing		-	
D 232-96	Pad		-	
D 234-01	Regulator	VI	61-62-65-66	
DS 234-01	Regulator	VI	61-65-66	
DS 235-1	Pipe		65	
DM 235-1c	Pipe		65-66	
D 235-3	Union		-	
D 235-4	Pipe		-	
DM 235-10a	Union		65	
DS 235-10	Union		65-66	
DM 235-11a	Union		-	
D 241-1a	Ventilator		61	
DM 241-1	Ventilator		62	
DS 241-93	Screw	VI	61-62	
DS 242-1	Cowl	VI	65-66	
DM 242-2a	Deflector		65	
DS 242-45	Casing		66	
DS 242-46	Control	VI	-	
DS 242-47	Shutter		-	
DS 242-49a	Frame		-	
DS 242-50	Casing		-	
DS 242-51	Strap		-	
DS 242-55	Joint	VI	-	
DS 242-55a	Joint	VI	-	
DS 242-87	Plate	VI	-	
DS 242-90	Grille		-	
DS 242-107	Screw	VI	-	
DS 242-108	Protector	VI	-	
DS 242-109	Support	VI	-	
DS 242-110	Bearing	VI	-	
D 251-01a	Bearing cap		72	
D 251-1	Handle		306	
DS 251-2	Spindle		72	
DS 251-2a	Spindle		72-306	

NUMBER	DESIGNATION	Section	PAGE No.	REMARKS
D 251-4a	Extension		306	
DS 251-4a	Extension		-	
DS 251-4b	Extension		-	
DS 251-4c	Extension		-	
DS 251-4d	Extension		-	
DS 251-4e	Extension		-	
DS 251-75	Plug	VI	66-311	
D 251-79	Spring		306	
D 251-81	Spring		-	
DS 251-101	Bracket		-	
D 312-0	Mechanism	VI	69	
D 312-1	Carrier	VI	-	
D 312-2	Spring	VI	-	
D 312-2a	Spring	VI	-	
D 312-99	Cup	VI	-	
DW 313-01	Plate	VI	-	
DS 314-01	Bracket		-	
DS 314-02	Cylinder		99	
D 314-04	Corrector		-	
D 314-04a	Corrector		-	
DS 314-04a	Corrector		-	
DS 314-04b	Corrector		-	
DF 314-015a	Pedal gear		187	
DM 314-016	Pedal gear		188	
DS 314-017	Regulator		96	
DM 314-2e	Cable	VI	187	
DF 314-3	Pedal		-	
DS 314-4	Fork		69	
DS 314-4a	Fork		-	
D 314-6	Spring	VI	-	
DS 314-8	Rod		99	
D 314-9	Spring	VI	69	
DS 314-10	Belt	VI	96	
D 314-13	Body		61	
DS 314-13	Body		-	
D 314-16	Spindle		69	
DS 314-16	Spindle		-	
D 314-17	Nut		99-187-188	
D 314-19	Wheel		61	
D 314-20	Pinion		-	
DS 314-20	Pinion		-	
DM 314-21	Push-rod		187	
DM 314-21a	Push-rod	VI	187-188	
DS 314-22	Plate		72	
D 314-26	Lever		111	
DS 314-28a	Screw		69	
D 314-29	Bush	VI	80-87	
DS 314-29	Body		96	
D 314-30	Valve	VI	95	

NUMBER	DESIGNATION	Section	PAGE No.	REMARKS
D 314-31	Valve	VI	95	
D 314-32	Gasket	VI	69	
DM 314-33	Lever		187	
DF 314-34a	Spindle		-	
DS 314-35	Nut		99	
DM 314-36c	Lever		188	
DM 314-38b	Pedal		-	
DM 314-39f	Cable	VI	-	
DM 314-40	Bracket	VI	-	
DM 314-48	Bracket		-	
DF 314-49	Bearing		187	
DF 314-51	Spring		-	
DM 314-51d	Spring	VI	188	
DS 314-56	Pin		96	
D 314-58	Dust cover		99	
DS 314-58	Pulley		96	
DS 314-59	Pin		-	
D 314-60	Circlip		80	
D 314-69	Pipe	VI	69	
D 314-70	Rod		111	
D 314-70a	Rod		-	
DS 314-74	Tie-rod		96-163	
D 314-76	Guide		69	
D 314-77	Spring		-	
D 314-78	Spring		111	
D 314-80	Key		61	
DS 314-80	Key	VI	-	
D 314-82	Nut		61-62	
DM 314-83b	Lever		188	
D 314-87	Piping		95	
DS 314-87	Pipe		-	
DM 314-88	Washer		187	
DM 314-88a	Washer		188	
D 314-91	Pipe		95	
DS 314-91	Pipe		-	
DM 314-95a	Bearing		187	
DM 314-95b	Bearing		188	
D 314-99	Hub		69	
D 314-99a	Hub		-	
DF 314-99	Hub		-	
D 314-100	Pipe		95	
DS 314-100	Pipe		-	
D 314-101	Pipe		-	
D 314-102	Pipe		-	
D 314-103	Pipe		-	
DM 314-109	Distance piece		188	
D 314-110	Cap		99	
D 314-111	Piston		-	
D 314-112	Spring	VI	-	

NUMBER	DESIGNATION	Section	PAGE No.	REMARKS
D 314-113	Cap		99	
DS 314-115c	Piping		96	
DS 314-123	Pipe		-	
DS 314-126a	Spring		99	
D 314-130	Bracket		-	
DS 314-130	Arm		96	
D 314-133	Bracket		95	
DS 314-134	Piping		96	
DS 314-134a	Piping		-	
D 314-138a	to Washer		99	
D 314-138d				
DS 314-138	Plate		96	
D 314-140	Cup		61-62	
D 314-142	Union		61-96	
D 314-143	Pipe	VI	69	
DS 314-147	Support	VI	99	
DF 314-158	Support		187	
DS 314-167	Screw		99	
DS 314-168	Locknut		-	
DS 314-169	Buffer	VI	-	
DF 314-177	Screw	VI	187	
DM 314-177	Screw		188	
DF 314-178	Pin		187-188	
DF 314-179	Clip		187	
DF 314-180	Cover		-	
DS 314-185	Plate	VI	96	
DS 314-187	Piston		-	
DS 314-188	Washer		-	
DS 314-189	Spring		-	
DS 314-190	Flange		-	
DS 314-191	Cup		-	
DS 314-192	Spring		-	
DS 314-193	Tappet		-	
DS 314-194	Pipe		-	
DS 314-194a	Pipe		-	
DS 314-200	to Washer		-	
DS 314-204				
DS 331-0a	Cover		72	
DW 331-0a	Cover		-	
DW 331-03a	Cover		-	
DM 331-04	Breather		-	
D 331-1b	Casing		71	
D 331-1c	Casing		-	
DF 331-1d	Casing		-	
DF 331-1e	Casing		-	
DM 331-1e	Casing		-	
DS 331-1	Casing		-	

NUMBER	DESIGNATION	Section	PAGE No.	REMARKS
DS 331-1a	Casing		71	
DS 331-1c	Casing		-	
DS 331-1d	Casing		-	
D 331-2a	Gasket	VI	72	
D 331-3a	Cap		-	
D 331-3b	Cap		-	
DS 331-3	Cap		-	
D 331-6a	Cap	VI	-	
D 331-7	Gasket	VI	-	
D 331-11a	Cover		-	
DS 331-11	Cover		-	
DW 331-11	Cover		-	
DW 331-11a	Cover		-	
DM 331-12	Plug		79	
D 331-13a	Cap		72	
D 331-13b	Cap		-	
D 331-63	Nut	VI	-	
D 331-77	Washer		-	
D 331-79	Gasket	VI	116	
D 331-81	Screw		72	
DM 331-82	Plug	VI	-	
D 331-87	Stud		22-72-107	
D 331-87a	Stud		72-107	
D 331-87b	Stud		72	
DS 331-87	Stud	VI	-	
D 331-88	Gasket	VI	-	
D 331-89a	Housing		80	
D 331-90	Gasket	VI	72	
D 331-91a	Housing		80	
DM 332-01a	Shaft		87	
DM 332-01b	Shaft		-	
D 332-1b	Shaft		80	
DS 332-1	Shaft		-	
DS 332-1a	Shaft		-	
D 332-2	Shaft		-	
DM 332-2	Shaft		87	
DS 332-2	Shaft		80	
D 332-4	Nut		80-87	
DS 332-4	Nut		-	
D 332-84	Lockplate		-	
DS 332-91	Distance piece		-	
D 332-94	Screw		-	
D 332-95				
to Washer			80	
D 332-95b				
D 332-95c	Washer		80-87	
D 332-95d	Washer		-	
DS 332-98	Dowel	VI	-	

NUMBER	DESIGNATION	Section	PAGE No.	REMARKS
D 332-300 to	Washer		80-87	
D 332-330				
D 333-7	Pinion		80	
D 333-7a	Pinion		-	
DS 333-7a	Pinion		-	
DS 333-7b	Pinion		-	
DS 333-7c	Pinion		-	
D 333-8	Pinion		-	
DM 333-8b	Pinion		80-87	
DS 333-8	Pinion		80	
D 333-9	Pinion		-	
DW 333-9	Sliding gear		87	
D 333-12	Pinion		80-87	
D 333-13	Pinion		80	
DW 333-13	Pinion		87	
D 333-14c	Pinion		80	
DM 333-14a	Pinion		87	
DS 333-14	Pinion		80	
DS 333-14a	Pinion		83	
D 333-15	Pinion		-	
DS 333-15	Pinion		-	
DW 333-15	Pinion		87	
D 333-16	Gear-train.....		83	
DS 333-16	Gear-train.....		-	
DW 333-16	Gear-train.....		87	
DM 333-17a	Pinion		-	
DS 333-17	Pinion		83	
D 333-18b	Pinion		-	
DM 333-18	Pinion		-	
DM 333-18a	Pinion		87	
D 333-73	Distance piece	VI	83	
DM 333-73	Distance piece	VI	88	
DS 333-73	Distance piece	VI	83	
DS 333-73a	Distance piece	VI	-	
D 333-74 to	Washer		-	
D 333-74d				
DM 333-74 to	Washer	VI	88	
DM 333-74q				
DM 333-80 to	Washer		-	
DM 333-80e				
DS 333-80	Washer	VI	83	
D 333-81	Dowel		-	
D 333-83 to	Half washer		83-88	
D 333-83e				

NUMBER	DESIGNATION	Section	PAGE No.	REMARKS
D 333-84	Washer		83-88	
D 333-86 to	Washer		83	
D 333-86h				
DS 333-86	Washer		-	
DF 333-97	Distance piece		-	
D 333-300 to	Washer		83-88-91	
D 333-340				
D 333-341	Washer		83	
D 333-344	Washer		-	
D 333-347	Washer		-	
D 333-350	Washer		-	
DW 334-01	Crown wheel		92	
D 334-07	Unit		103	
DS 334-07a	Unit		-	
DS 334-07d	Unit		-	
DS 334-07e	Unit		-	
DS 334-07g	Unit		-	
DS 334-07h	Unit		-	
D 334-010	Selector		111	
DS 334-010	Selector		-	
DS 334-010a	Selector		-	
DS 334-010c	Selector		-	
D 334-014	Corrector		103	
DS 334-014	Corrector		-	
DS 334-014a	Corrector		-	
D 334-016	Piping		107	
DS 334-016	Piping		-	
D 334-017	Piping		-	
DS 334-017	Piping		-	
D 334-2	Knob	VI	111-377	
DS 334-2	Knob	VI	111-212-378	
DW 334-2	Knob	VI	112-115	
DW 334-3	Lever		112	
DW 334-3a	Lever		115	
DS 334-4a	Gate		111	
DW 334-4	Shaft		112	
D 334-11	Spring		111	
DM 334-11	Spring		79	
D 334-13	Lock		76	
D 334-19	Fork		76-79	
D 334-23	Cup		76	
DS 334-23	Cup		-	
D 334-24	Spring		-	
DS 334-41	Piston		103	
DS 334-41a	Piston		-	
DS 334-42	Piston		-	
DS 334-42a	Piston		-	

NUMBER	DESIGNATION	Section	PAGE No.	REMARKS
D 334-44	Piston		103	
D 334-47	Slide		76-79	
D 334-48	Cover		103	
DS 334-48	Cover		-	
D 334-50	Lever		111	
DS 334-50	Lever		-	
DS 334-50a	Lever		-	
DM 334-53	Lever		79	
DM 334-53a	Lever		-	
D 334-55	Spring		111	
DM 334-56	Spring		79	
D 334-57	Washer		103	
DM 334-58	Seat		112-115	
D 334-59	Gasket	VI	103	
DS 334-59	Gasket	VI	-	
D 334-61	Gasket	VI	-	
D 334-62	Dust cover		103-136	
DM 334-63a	Ball joint		112-115	
DS 334-63	Cover		103	
DM 334-64	Bush	VI	112-115	
D 334-65	Sleeve		111	
DW 334-66	Guide		112	
D 334-67	Pin		111	
DS 334-69	Screw		107	
DM 334-70	Circlip		79	
D 334-71	Spring		103	
DM 334-71	Rod		112	
DM 334-71a	Rod		-	
DM 334-73	Bush		112-115	
D 334-74	Collar		103	
DM 334-75	Pin		112-115	
DS 334-75	Washer		103	
DM 334-76	End piece		112	
D 334-77	Clip		107	
DW 334-79	Cable	VI	112	
D 334-83	Spring		103	
DM 334-83a	Pin		112-115	
D 334-84	Spring		103	
DS 334-84	Spring		-	
D 334-85	Pin		76-79	
DM 334-87a	Ball		112-115	
D 334-88a	Screw		76	
DM 334-88	Screw		79	
D 334-89	Washer		103	
DS 334-89	Washer		-	
DM 334-90	Bush	VI	112-115	
D 334-92	Spring		103	
DM 334-92a	Lever		112	
D 334-93	Piping		95	

NUMBER	DESIGNATION	Section	PAGE No.	REMARKS
DS 334-93	Pipe		208	
D 334-94	Filter	VI	103	
DM 334-95a	Pin		112-115	
D 334-96	Washer		103	
DM 334-96	Half bearing	VI	112-115	
D 334-97a	Piping		95	
DS 334-97b	Piping		-	
D 334-98	Lever		76-79	
DM 334-98	Washer	VI	112-115	
D 334-100	Pin		111	
DS 334-101	Stud		103	
D 334-102	Rod		111	
D 334-102a	Rod		-	
DM 334-102	Rod		112	
DS 334-102	Rod		111	
DW 334-105	Locking shaft		79	
DM 334-108	Pipe		79	
DM 334-115	Joint		112-115	
DM 334-116	Distance piece		79	
DM 334-117	Distance piece		-	
DW 334-118	Lining		369-373	
D 334-121	Pipe assembly		107	
DS 334-121	Pipe assembly		-	
DS 334-121a	Pipe assembly		-	
DS 334-121b	Pipe assembly		-	
DM 334-122a	Bush		112-115	
DS 334-123	Plate	VI	107	
DM 334-124a	Bush	VI	112	
DM 334-124b	Bush	VI	115	
D 334-125	Bracket		111	
DW 334-125a	Bracket		112	
DM 334-126	Bearing		-	
D 334-127	Flange		107	
DS 334-127	Flange		-	
DW 334-127	Clip	VI	369-373	
DW 334-127a	Clip	VI	-	
D 334-128	Flange		107	
DM 334-128	Flange		112-115	
DS 334-128	Flange		107	
DM 334-133	Strap		112-115	
DW 334-135	Shaft		115	
DS 334-139	Pipe		99	
DS 334-139a	Pipe		-	
DS 334-140	Plate	VI	95	
DS 334-140a	Plate	VI	-	
DS 334-141	Finisher	VI	369-373	
DS 334-141b	Finisher	VI	-	
DW 334-141	Finisher	VI	369	
D 334-142	Spring		111	

NUMBER	DESIGNATION	Section	PAGE No.	REMARKS
D 334-143	Spring		111	
DW 334-145	Counterplate	VI	115	
DS 334-149	Plate	VI	99-104	
DS 334-149a	Plate	VI	-	
D 334-151	Screw		104	
D 334-152	Nut		-	
DW 334-156	Bracket		115	
DS 334-157	Pipe		96-208	
DS 334-157a	Pipe		96	
D 334-167	Clip		111	
DS 334-169a	Bracket		104	
DS 334-170	Union		96	
DS 334-170a	Union		-	
D 334-172	Plate	VI	366	
D 334-173	Plate	VI	-	
D 334-174	Plate	VI	-	
D 334-177	Bracket		107	
DS 334-180	Gasket	VI	61-107	
DS 334-181	Gasket	VI	29-107-112-115-163	
D 334-182e to	Washer		107	
D 334-182u D 334-183h to	Packing		108	
D 334-183w DS 334-183 to	Washer	VI	-	
DS 334-183f DS 334-183h to	Washer		-	
DS 334-183w D 334-184	Plate		-	
DW 334-184	Cable	VI	115	
D 334-185	Plate		108	
D 334-186	Pipe assembly		99	
DS 334-186a	Pipe assembly		-	
DS 334-186b	Pipe assembly		-	
DS 334-186d	Pipe assembly		-	
DS 334-186e	Pipe assembly		-	
DS 334-186f	Pipe assembly		-	
DS 334-186g	Pipe assembly		-	
DS 334-186h	Pipe assembly		-	
DS 334-186i	Pipe assembly		-	
DS 334-186j	Pipe assembly		-	
D 334-187a	Pipe assembly		104	
DS 334-187	Pipe assembly		-	
DS 334-187b	Pipe assembly		-	
DS 334-187c	Pipe assembly		-	
D 334-190	Screw		-	

NUMBER	DESIGNATION	Section	PAGE No.	REMARKS
DM 334-190	End piece		112-115	
DM 334-191b	Rod	VI	115	
D 334-196	Rod	VI	111	
DM 334-199b	Tube		115	
DM 334-201b	Lever	VI	-	
D 334-202	Washer		76	
D 334-203 to	Washer		108	
D 334-203n				
D 334-204	Clip		95	
D 334-204a	Clip		95-96	
DS 334-211	Lining		369	
DS 334-211a	Lining		369-373	
DW 334-211	Lining		369	
D 334-223 to	Packing		108	
D 334-233p				
D 334-244	Disc	VI	104	
D 334-245	Disc	VI	-	
D 334-246	Distance piece		-	
D 334-248	Spring		111	
DM 334-249	Circlip	VI	79	
DW 334-250	Washer		-	
DM 334-251	Screw		-	
DM 334-252	Screw		-	
DM 334-256	Pin		112-115	
DM 334-257	Circlip		-	
DM 334-258	Half washer	VI	-	
DM 334-259	Screw		79	
D 334-260	Shaft		76	
DS 334-260	Shaft		-	
DW 334-260	Shaft		79	
DM 334-261	Shaft		-	
DS 334-261	Shaft		76	
DM 334-262a	Shaft		79	
DS 334-262	Shaft		76	
DM 334-266	Tube		79	
DW 334-267	Locking shaft		-	
DS 334-277	Buffer		104	
DS 334-278	Gasket	VI	96-104	
DS 334-279	Gasket	VI	104-167	
DS 334-280	Plate	VI	108	
DS 334-281	Plate	VI	-	
DS 334-285	Plug	VI	95	
DM 334-300 to	Washer		79	
DM 334-308				
DM 334-321	Bracket		115	
DM 334-322a	Seal	VI	-	

NUMBER	DESIGNATION	Section	PAGE No.	REMARKS	NUMBER	DESIGNATION	Section	PAGE No.	REMARKS
DM 335-05a	Synchromesh		83-91		DS 344-01	Crown wheel and pinion ..		84-92	
D 335-06b	Synchromesh		83		DW 344-01	Crown wheel and pinion ..		91-92	
DW 335-09	Synchromesh		91		DF 344-02	Crown wheel and pinion ..		84-92	
D 335-8	Collar		83		DS 344-5	Nut		84-91	
DM 335-8	Collar		91		D 344-90	Circlip		-	
D 335-9a	Sliding gear		83		D 344-94	Lockplate		84	
D 335-13a	Synchromesh		-		D 344-96	Circlip		84-91	
D 335-15	Set of rods		-		D 371-1	Shaft		116	
DM 335-15b	Set of rods		91		D 371-1a	Shaft		-	
DM 335-16a	Bush		-		DS 371-1	Shaft		-	
DW 335-18	Dog		-		DS 371-1a	Shaft		-	
DM 335-70a					D 371-3	Housing		-	
to	Ball pad		-		D 371-3a	Housing	VI	-	
DM 335-70c					D 371-5	Bush		-	
D 335-73	Spring		-		D 371-92	Bush		-	
D 335-82					D 371-93	Bush		-	
to	Washer		84-91		D 371-95	Screw		-	
D 335-82h					D 371-96	Nut		-	
DW 335-88	Ring		91		D 371-99	Washer	VI	-	
DW 335-88a	Ring		-		D 372-88	Sheath		-	
D 343-1	Casing		92		D 372-89	Screw		120	
DS 343-1	Casing		-		D 373-01b	Drive shaft		116	
DS 343-1a	Casing		-		D 373-01c	Drive shaft		-	
DS 343-1b	Casing		-		D 373-81	Shield		-	
D 343-2	Planet gear		-		D 373-82	Shield		-	
DS 343-2	Planet gear		-		D 373-83	Shield		-	
D 343-3	Satellite		-		D 373-84	Shield		-	
D 343-5	Screw		-		D 373-91	Half cup		-	
DS 343-5	Screw		-		DS 373-94	Joint	VI	-	
D 343-6	Screw		-		D 373-99	Sheath		-	
DS 343-6	Screw		-		D 376-1	Driving sleeve		-	
DS 343-7a	Washer	VI	-		D 376-2	Block		-	
DS 343-7c	Washer	VI	-		DS 376-3	Flange		-	
DS 343-7e	Washer	VI	-		D 376-4	Flange		-	
DS 343-7g	Washer	VI	-		DS 376-4	Flange		-	
D 343-8	Washer		-		DS 376-6	Drive		-	
D 343-8a	Washer		-		DS 376-70	Screw		-	
D 343-8b	Washer		-		D 376-95	Pin		-	
DS 343-8c	Washer		-		D 376-96	Ring		-	
DS 343-8e	Washer		-		D 376-97	Bracket		-	
DS 343-8g	Washer		-		D 376-98	Washer		-	
DS 343-8i	Washer		-		D 381-1	Pinion		75	
D 343-9	Crosshead		-		DF 381-1	Pinion		-	
D 343-97					D 381-2	Socket		-	
to	Washer		-		D 381-2a	Socket		-	
D 343-97g					D 391-01	Pump		163	
D 343-98					D 391-01a	Pump		-	
to	Washer		-		DF 391-01	Pump		-	
D 343-98g					DS 391-01	Pump		-	

NUMBER	DESIGNATION	Section	PAGE No.	REMARKS
DS 391-01g	Pump		163	
DS 391-02	Cylinder		-	
DS 391-03b	Regulator		167	
DS 391-07b	Shaft		163	
D 391-3a	Spring		-	
D 391-4a	Spring		-	
DS 391-4	Spring		-	
D 391-5	Valve		-	
D 391-10	Spring		167	
D 391-11	Cap		-	
DS 391-11a	Cap		-	
DS 391-11b	Cap		-	
D 391-13	Pulley		163	
DS 391-13	Pulley		-	
DS 391-13a	Pulley		-	
DS 391-15b	Body		-	
DS 391-16a	Bearing		-	
DS 391-16e	Bearing		-	
D 391-18	Belt	VI	-	
D 391-18a	Belt	VI	-	
DF 391-18	Belt	VI	-	
D 391-20	Cover		-	
D 391-21	Bearing	VI	-	
D 391-22	Bracket		167	
D 391-25	Piping	VI	203	
DM 391-25	Piping		203-208	
DS 391-45	Pipe		208	
DS 391-45a	Pipe		-	
DS 391-45b	Pipe		-	
DS 391-47	Union		-	
DS 391-47a	Union	VI	-	
DM 391-48	Union	VI	-	
DS 391-48	Union		-	
DS 391-48a	Union		-	
DS 391-48b	Union	VI	-	
DS 391-48c	Union	VI	-	
DS 391-49	Pipe		-	
DS 391-50	Distance piece		163	
D 391-51	Distance piece		167	
DM 391-51	Support		-	
D 391-52	Stay		-	
DS 391-52	Nut		-	
DS 391-52a	Nut		-	
D 391-53	Cup		163	
D 391-54	Deflector		-	
D 391-55	Spring		-	
DS 391-56	Bush		-	
D 391-57	Plug	VI	204	
D 391-58	Plug	VI	-	

NUMBER	DESIGNATION	Section	PAGE No.	REMARKS
D 391-59	Washer		167	
D 391-59a	Washer		-	
D 391-60	Plug	VI	204	
D 391-63	Plug		207	
DS 391-66	Plug	VI	167	
D 391-67	Gasket		163	
DS 391-71	Block		208	
D 391-76	Nut	VI	163	
D 391-77	Lockplate		-	
D 391-78	Packing		167	
D 391-78a	Packing		-	
D 391-78b	Packing		-	
DS 391-80	Stay		-	
D 391-81	Cup		-	
D 391-82	Ball pin		163	
D 391-83	Clip		-	
DS 391-84a	Pipe		203	
DS 391-84b	Pipe		203-208	
DS 391-84c	Pipe		208	
DS 391-84d	Pipe		-	
DS 391-85	Stay		163	
DS 391-85a	Stay		-	
DS 391-86	Stay		-	
D 391-88	Plug		163-207	
DS 391-88	Plate		96	
D 391-90a	Distance piece		163	
D 391-93	Joint		167	
DS 391-94	Clip		-	
DM 391-96	Screw		-	
D 391-98	Cup		163	
DS 391-98	Cup		-	
D 391-99	Circlip		-	
D 391-100	Pipe		203	
DM 391-100	Pipe		208	
DS 391-100	Pipe		-	
DS 391-100b	Pipe		-	
D 391-102	Pipe		195	
DS 391-102	Pipe		208	
D 391-103	Sleeve		203	
DF 391-103	Screw		163	
DS 391-104	Sleeve		203-208	
D 391-105	Bush		95-96-203-208	
D 391-108	Bush		203-208	
D 391-109	Sleeve	VI	-	
D 391-110	Sleeve		203	
D 391-111	Plug	VI	207	
D 391-112a	Union		203	
DM 391-112	Union		208	
D 391-113	Bush		203-208	

NUMBER	DESIGNATION	Section	PAGE No.	REMARKS
D 391-116	Sheath		203	
D 391-118	Ring		-	
D 391-119	Grommet		195-203	
DM 391-122a	Pipe		208	
DS 391-126	Pipe		203-208	
D 391-127	Sheath		96-203	
DS 391-127	Clip		203	
D 391-128	Sheath		203-208	
D 391-129	Sheath		-	
D 391-130	Buffer	VI	203	
DS 391-131a	Screw		163	
DS 391-132a	Screw		-	
DS 391-133a	Nut		-	
DS 391-136	Sleeve		203-208	
DS 391-140	Clip		203-211	
DS 391-141	Clip		-	
DS 391-144	Piping	VI	-	
DS 391-145	Piping	VI	-	
DS 391-146	'T' pipe	VI	207	
DS 391-148	'T' pipe	VI	-	
DS 391-149	'Y' pipe	VI	-	
DS 391-150	'T' pipe	VI	-	
DS 391-151	Pipe	VI	-	
DS 391-152	Pipe	VI	-	
DS 391-161	Bush		164	
D 391-512	Rod		-	
D 391-529	Accumulator		167	
D 392-01	Accumulator		-	
DF 392-04	Accumulator		-	
D 392-3	Spring		-	
DF 392-76	Pipe		199	
DF 392-78	Pipe		-	
DS 392-78	Pipe		-	
DF 392-81	Tie-rod		167	
DF 392-82	Tie-rod		-	
DF 392-85	Pipe		199	
DS 392-85	Pipe		-	
D 392-86	Pipe		195	
D 392-88	Washer		167	
D 392-90	Sleeve		195-199-211	
D 392-91	Flange		167	
DF 392-91	Flange		-	
DS 392-91	Flange		-	
D 392-97	Screw		-	
DM 393-02c	Reservoir		-	
DM 393-02h	Reservoir		168	
DS 393-02c	Reservoir		-	

NUMBER	DESIGNATION	Section	PAGE No.	REMARKS
DS 393-02g	Reservoir		168	
D 393-03	Block		-	
DM 393-03	Block		-	
DS 393-03	Block		-	
DS 393-05a	Reservoir		-	
D 393-2	Pipe	VI	-	
D 393-3	Filter		-	
DS 393-3	Filter	VI	-	
D 393-4	Filter	VI	-	
DS 393-4	Filter		-	
D 393-22	Pipe	VI	-	
DS 393-22	Pipe	VI	-	
DM 393-23	Plug	VI	-	
DS 393-61	Spring	VI	-	
DS 393-66	Distance piece		96-125	
D 393-69	Plunger		168	
D 393-73	Sleeve		95-203	
D 393-75	Strap		168	
D 393-85	Washer	VI	-	
DS 393-85	Washer	VI	-	
D 393-87	Distance piece		-	
DM 393-87	Distance piece		-	
D 393-90	Gasket		-	
D 393-91	Spring		-	
D 393-92	Spring		-	
D 393-94	Pipe		195	
D 393-97	Packing		168	
DS 393-97	Packing	VI	-	
D 412-03	Arm		120	
D 412-03a	Arm		-	
D 412-3d	Bracket		-	
D 412-3e	Bracket		-	
DS 412-3	Bracket		-	
DS 412-3a	Bracket		-	
D 412-4	Nut		-	
D 412-4a	Nut		-	
DS 412-4	Nut		-	
D 412-8	Arm		-	
D 412-8a	Arm		-	
DS 412-8	Arm		-	
DS 412-8a	Arm		-	
DS 412-62	Washer	VI	-	
D 412-81	Washer		-	
D 412-81p	Washer		-	
D 412-83	Plug		-	
D 412-84	Washer		-	
D 412-84m	Washer		-	

NUMBER	DESIGNATION	Section	PAGE No.	REMARKS
D 412-85	Washer		123	
D 412-86a	Screw		-	
DS 412-86	Screw		-	
D 412-88a	Screw		-	
DS 413-03	Assembly.....		-	
DS 413-03a	Assembly.....		-	
DS 413-03b	Assembly		-	
DS 413-03c	Assembly		-	
DS 413-04a	Assembly		-	
DS 413-07b	Swivel		-	
DS 413-07c	Swivel		-	
DS 413-07d	Swivel		-	
DS 413-07e	Swivel		-	
DS 413-4a	Lever		-	
D 413-11	Nut	VI	-	
D 413-81	Spring		123-172	
D 413-85	Gasket		123	
DS 413-85	Gasket		-	
DS 413-87a	Cup	VI	-	
DS 413-87b	Cup	VI	-	
DS 413-300 to	Washer		123-124	
DS 413-327				
DS 416-80a	Weight	VI	306	
DS 416-80b	Weight	VI	-	
DS 416-80c	Weight	VI	-	
DS 416-80e	Weight	VI	-	
D 416-81	Washer	VI	124-127	
D 416-83	Cone	VI	-	
D 416-88	Screw	VI	-	
DS 416-89	Washer	VI	-	
D 416-93	Spring		-	
D 416-94a	Dowel.....		124	
D 416-96	Deflector		-	
DM 416-97	Seal	VI	-	
D 422-01b	Arm		127	
D 422-01c	Arm		-	
DS 422-01	Arm		-	
DS 422-01a	Arm		-	
DS 422-01f	Arm		-	
DS 422-01g	Arm		-	
DS 422-01h	Arm		-	
DS 422-01i	Arm		-	
DS 422-01r	Arm		-	
DS 422-01s	Arm		-	
DS 422-1b	Arm		-	
DS 422-1c	Arm		-	
DS 422-1d	Arm		-	
DS 422-1e	Arm		-	

NUMBER	DESIGNATION	Section	PAGE No.	REMARKS
DS 422-1f	Arm		127	
DS 422-1g	Arm		-	
D 422-2	Nut		-	
D 422-6	Nut		-	
D 422-79	Screw		-	
D 422-80b	Cup		124-127	
D 422-91	Gasket		127	
D 422-95c	Bush	VI	124-127	
D 422-96	Body		127	
D 422-98	Cap		-	
DS 422-98	Cap		-	
D 426-3	Nut		-	
D 426-5	Stub axle		128	
D 426-15	Distance piece		-	
D 426-89	Bush		-	
D 426-92	Stud	VI	124-128	
D 426-93a	Washer		128	
D 426-99	Lockwasher		-	
D 426-300 to	Washer	VI	-	
D 426-342				
DS 433-01c	Unit		172	
DS 433-02c	Unit		179	
D 433-82	Plug		207	
D 433-85	Sleeve		172	
D 433-90	Joint		168-172-179	
D 433-92	Seal		100	
D 434-02b	Cylinder		179	
DS 434-02	Cylinder		172	
DS 434-02a	Cylinder		-	
DS 434-02d	Cylinder		179	
DS 434-04	Nut		172-179	
D 434-3	Rod		172	
D 434-3b	Rod		179	
DS 434-3	Rod		-	
DS 434-4d	Lever		124	
DS 434-4e	Lever		-	
DS 434-4f	Lever		-	
DS 434-4g	Lever		-	
D 434-5	Shield		172	
D 434-5a	Shield		-	
DS 434-56	Shield		-	
DS 434-57	Washer		-	
D 434-62a	Ring		95-172-179	
D 434-63	Ring		172-179	
D 434-65	Ring		-	
D 434-67	Plate		179	
D 434-68	Pin		172	
D 434-70	Plug		207	

NUMBER	DESIGNATION	Section	PAGE No.	REMARKS
D 434-71	Distance piece	VI	124	
DS 434-71	Distance piece	VI	-	
D 434-74a	Dust cover		179	
D 434-76a	Washer		172-179	
D 434-79a	Cup		-	
D 434-80	Pin		179	
D 434-81	Dust cover		-	
D 434-86	Dust cover		172	
D 434-94a	Gasket		172-179	
D 434-95	Plug		207	
D 434-106	Shield		172	
D 434-107	Shield		-	
DS 435-02d	Corrector		172-179	
D 435-05a	Rod		179	
DM 435-05	Rod		-	
DS 435-05a	Rod		-	
D 435-11	Bar		128	
DS 435-11	Bar		-	
D 435-20	Diaphragm		172	
DS 435-20	Diaphragm		-	
DF 435-21	Pipe		211	
D 435-22	Pipe assembly		203	
DS 435-22	Pipe assembly		-	
DS 435-23	Bar		172	
D 435-24	Pipe assembly		203	
DS 435-24a	Pipe assembly		-	
DF 435-25	Pipe		211	
DM 435-28	Pipe		-	
DF 435-30	Pipe assembly		-	
DS 435-30a	Pipe assembly		204	
DM 435-33	Plug	VI	211	
DM 435-34	Plug	VI	-	
DS 435-35	Pipe		204	
DS 435-36	Pipe		-	
DS 435-39a	Spring		172	
DS 435-40a	Spring		-	
DM 435-41	Pipe assembly		211	
DS 435-41	Pipe assembly		-	
DS 435-41b	Pipe assembly		-	
DF 435-42	Pipe		-	
DM 435-43	Pipe		-	
DS 435-43	Pipe		-	
DF 435-44	Pipe		-	
DS 435-45	Valve	VI	172	
DS 435-46	Spring		-	
DM 435-51b	Rod		-	
D 435-55	Bracket		-	
DS 435-55	Bracket		-	
DM 435-57	Plate		211	

NUMBER	DESIGNATION	Section	PAGE No.	REMARKS
D 435-58	U Bolt		172	
D 435-58a	U Bolt		-	
D 435-64	Cover		172-179	
DS 435-70	Clamp		172	
D 435-80a	Cup		175	
D 435-82	Cup		-	
DS 435-82	Cup		-	
D 435-91	Plug	VI	207	
D 435-96	Cup		175	
D 435-99	Flange		128	
DS 435-110	Plate	VI	100	
DS 435-110a	Plate	VI	-	
D 435-111	Bearing	VI	175	
D 435-111a	Bearing	VI	-	
DS 435-112a	Bearing cap		-	
DS 435-112b	Bearing cap		-	
D 435-122	Bracket		179	
DS 435-125	Pipe assembly		204-211	
D 435-130a	Pipe		204	
DF 435-130	Pipe		211	
D 435-136	Plate		204	
DS 435-136	Plate	VI	-	
DS 435-136a	Plate	VI	-	
D 435-139	Panel		316-319	
D 435-142a	Panel		179	
DM 435-142	Panel		-	
D 435-146	Pipe		204	
DF 435-146a	Pipe		211	
DS 435-146	Pipe		204	
DS 435-147	Cup		175	
DS 435-148	Nut		-	
D 435-149	Sleeve		179-212-215-216	
D 435-150	Sheath		108-195-199- 204-211	
D 435-151	Grommet		204	
D 435-153	Packing		175	
D 435-153g	to			
D 435-155	Seal	VI	179	
DM 435-165	Seal		211	
DS 435-167	Bush		175	
DS 435-168	Cup		-	
DS 435-169	Cup		-	
DS 435-172	Buffer		-	
DS 435-174	Bearing	VI	-	
DS 435-175	Sleeve		-	
DS 436-06e	Damper		-	
DS 436-06f	Damper		179	
DS 436-95a	Stud		175-179	

NUMBER	DESIGNATION	Section	PAGE No.	REMARKS
DS 436-95b	Spindle		175-179	
DS 436-98	Nut		-	
D 437-1	Buffer		128	
D 437-3	Buffer		124	
D 437-4	Bracket		212	
D 437-5	Cable	VI	-	
DM 437-5	Rod		215	
DM 437-5a	Rod		216	
D 437-6	Lever		212	
DM 437-6	Lever		215	
DM 437-6b	Lever		216	
D 437-7	Lever		212	
D 437-8	Rod		-	
DM 437-8a	Rod		215-216	
D 437-9	Rod		212	
DM 437-9	Rod		215-216	
DM 437-50	Shaft		216	
D 437-54	End piece		212	
D 437-55	Rod		-	
DM 437-55	Rod		215	
DM 437-55a	Rod	VI	216	
D 437-56	Distance piece		212	
D 437-57	Pin		-	
DM 437-58	Screw	VI	216	
D 437-67	End piece		212	
DM 437-73	Quadrant		215	
DM 437-73a	Quadrant	VI	216	
DM 437-76	Pipe	VI	-	
DM 437-80	Lever		215	
DM 437-82	Lever	VI	216	
D 437-87	Support		212	
D 437-100	End piece		-	
D 437-101	Rod		-	
DM 437-101	Rod		215-216	
D 437-102	Plate		212	
DM 437-109	Bearing	VI	215-216	
D 437-110	Rod		212	
DM 437-110	Rod		215-216	
D 437-112	Nut		212	
DM 437-112	Nut	VI	215-216	
D 437-113	Pin		212	
DM 437-113	Pin		215-216	
DM 437-118a	Clip		-	
DM 437-119	Locknut	VI	-	
DM 437-123	Yoke		-	
DM 437-123a	Yoke	VI	216	
DM 437-148	Bracket		-	
DM 437-149	Bearing	VI	-	
D 441-01a	Bracket		131	

NUMBER	DESIGNATION	Section	PAGE No.	REMARKS
DS 441-01	Bracket		131	
DS 441-01a	Bracket		-	
DS 441-01b	Bracket		-	
DS 441-01c	Bracket		-	
D 441-1a	Wheel		-	
DS 441-1	Wheel		-	
DS 441-1a	Wheel		-	
DS 441-1b	Wheel		-	
DW 441-1	Wheel		131-135	
D 441-8	Bush		-	
D 441-9	Bush		131	
DW 441-9	Bush		135	
D 441-10	Spring		131-135	
DS 441-12	Circlip	VI	-	
DW 441-13	Bush		135	
DW 441-57	Cup		-	
DS 441-66	Screw	VI	131	
DS 441-67	Bush		-	
DW 441-67	Plate		135	
DS 441-69	Clip		131-135	
DS 441-70a	Binding		131	
DS 441-70b	Binding		-	
D 441-76	Bracket		-	
DS 441-76	Bracket		-	
DS 441-76a	Bracket		-	
DS 441-76b	Bracket		-	
DS 441-76c	Bracket		-	
D 441-78	Washer		131-135	
DW 441-78	Plate		135	
D 441-80	Sleeve		131	
DS 441-83	Bush		-	
DS 441-83a	Distance piece		-	
DS 441-83b	Distance piece		-	
DW 441-83	Distance piece		135	
D 441-85	Washer		131	
D 441-85a	Washer		131-135	
D 441-87	Bush		131	
DS 441-87	Bush		131-135	
D 441-95	Sleeve		131	
DM 441-100	Screw		131-135	
DS 442-01a	Pinion		140	
DS 442-02a	Pinion		-	
D 442-04	Housing		136	
D 442-04a	Housing		-	
DS 442-05b	Assembly		-	
D 442-010a	Housing		-	
DS 442-011c	Assembly		-	
DS 442-013a	Pinion		140	
DS 442-014	Pinion		-	

NUMBER	DESIGNATION	Section	PAGE No.	REMARKS
DS 442-014a	Pinion		140	
D 442-1	Guide		136	
DS 422-2	Spring		-	
DS 442-3	Nut		-	
DS 442-3c	Cylinder		140	
D 442-4	Rack		136	
D 442-6	Rack		-	
D 442-8	Ball pin		-	
DS 442-8	Ball pin		-	
DS 442-11c	Assembly		-	
D 442-20	Sheath		-	
D 442-21	Nut	VI	-	
D 442-52	Cap		-	
DS 442-52	Cap		-	
D 442-58	Nut		-	
DM 442-58	Nut		-	
D 442-59	Locknut		-	
D 442-60	Washer		-	
D 442-68	Lockwasher	VI	-	
D 442-76	Guide		-	
D 442-79	Slide		-	
D 442-79a	Slide		-	
DS 442-89	Bush		-	
D 442-91	End piece		140	
D 442-93	Cap		136	
DS 442-103	Cage	VI	-	
DS 442-120	Spring		144	
DS 442-300	to			
DS 442-364	Washer		136-139	
D 443-01	Rod		144	
D 443-01a	Rod		-	
DS 443-01	Rod		-	
D 443-03	Housing		-	
DS 443-03	Housing		-	
D 443-03a	Housing		-	
DS 443-03a	Housing		-	
D 443-04	End piece		-	
DS 443-04	End piece		-	
DS 443-05	Housing		-	
D 443-06	Lever		-	
DS 443-06	Lever		-	
DS 443-06a	Lever		-	
DS 443-06b	Lever		-	
D 443-7	Bush	VI	-	
D 443-9	Lever		-	
D 443-9a	Lever		-	
DS 443-10	Sleeve		144-175	
D 443-11	Nut		139-144	

NUMBER	DESIGNATION	Section	PAGE No.	REMARKS
D 443-12	Shield		144	
D 443-12a	Shield		-	
DM 443-12	Shield		-	
DM 443-12a	Shield		-	
DS 443-64	Sealing strip		328	
DS 443-65	Sealing plate		-	
D 443-66	Nut		144	
DS 443-66	Nut		-	
D 443-67	Nut		-	
D 443-70	Clamp		144-175	
DS 443-71	Washer		144	
D 443-73a	Shackle		-	
DS 443-73	Shackle		-	
D 443-74	Screw		144-164	
D 443-78	Ring		144	
DS 443-78	Protector		-	
DM 443-82	Sealing plate		328	
D 443-83	Cup		144	
DM 443-84	Sealing plate		328	
D 443-87	Nut		147	
D 443-88	Pin		-	
DS 443-88	Pin		-	
D 443-89	Washer		-	
D 443-89a	Washer		-	
DS 443-94	Cup	VI	-	
D 443-95	Gasket		-	
D 443-96	Pin		-	
DM 443-96	Pin		-	
DM 443-96a	Pin		-	
D 444-01b	Control		140	
DS 444-02	Cap		-	
DS 444-02a	Cap		-	
D 444-3a	Cylinder		-	
DS 444-3	Cylinder		-	
DS 444-3c	Cylinder		-	
DS 444-4	Rod		-	
D 444-6	Rod		139	
D 444-9	Fork		140	
D 444-12	Sheath		-	
DS 444-12	Sheath		-	
D 444-13	Gasket		139	
DS 444-18c	Piping		204-211	
DS 444-49	Pipe		211	
DW 444-49	Pipe		-	
DS 444-58	Rod		139	
DS 444-62	Nut		140	
DS 444-63	Seal	VI	140-164	
DS 444-64	Seal		96-140	
DS 444-64a	Seal		140	

NUMBER	DESIGNATION	Section	PAGE No.	REMARKS
DS 444-65	Seal		140-164	
DS 444-68a	Piping		211	
D 444-69	Union		140	
DS 444-70	Pipe		211	
DS 444-72	Washer		140	
DS 444-73	Plate	VI	-	
DS 444-75	Seal	VI	-	
D 444-76	Union		-	
D 444-78	Washer	VI	-	
D 444-80	Rod		139	
D 444-81	Circlip		-	
D 444-82	Piping		204	
DS 444-82a	Piping		211	
DS 444-82b	Piping		-	
DS 444-85	Plate	VI	140	
DS 444-89	Screw		-	
D 444-90	Bush		-	
D 444-91	Needle	VI	-	
D 444-92	Seal		-	
D 444-97a	Pin		139	
D 444-98a	Circlip		140	
D 444-99b	Washer		-	
to				
D 444-99h	Bush		139	
DS 444-105	Washer		143	
DS 444-106	Joint	VI	-	
DS 444-108	Joint	VI	-	
DS 444-110	Joint	VI	-	
D 445-1a	Cam		131	
DS 445-1	Cam		131-135	
D 445-2	Spring		132	
DS 445-2	Spring		132-135	
DM 445-3	Spring	VI	-	
DS 445-87	Circlip		-	
D 445-91	Clip		-	
D 445-94	Screw		-	
D 445-95	Washer	VI	-	
D 445-96	Washer		-	
D 445-97	Bush		-	
D 445-98	Bracket		-	
DS 451-03	Plate		160	
D 451-04b	Unit		148	
D 451-04c	Unit		-	
DM 451-04	Unit		152	
DM 451-04a	Unit		-	
DM 451-04d	Unit		-	
DM 451-04c	Unit		-	
DM 451-08b	Unit		-	

NUMBER	DESIGNATION	Section	PAGE No.	REMARKS
DM 451-08d	Unit		152	
DS 451-1a	Duct		-	
DS 451-2	Pin		160	
D 451-5a	Drum		128	
DS 451-5	Drum		-	
DS 451-15	Eccentric		160	
D 451-19b	Shoe		159	
D 451-19c	Shoe		-	
DS 451-19	Shoe		160	
D 451-20b	Shoe		159	
D 451-20c	Shoe		-	
DS 451-20	Shoe		160	
D 451-21a	Spring		159-160	
D 451-24	Cradle		148	
D 451-24a	Cradle		-	
DM 451-24b	Cradle		152	
DM 451-24c	Cradle		-	
D 451-26a	Backplate		159	
DS 451-31	Casing		148-152	
DS 451-31a	Casing		-	
DM 451-32a	Plate		-	
D 451-33	Bracket		-	
D 451-33a	Bracket		-	
D 451-37	Bracket		-	
D 451-37a	Bracket		152	
D 451-38	Bracket		148-152	
D 451-38a	Bracket		152	
D 451-39	Spring		148	
DS 451-43	Shoe		160	
DS 451-44	Shoe		-	
D 451-52	Pin		148-152	
D 451-55	Sheath		-	
D 451-58	Screw		-	
D 451-59	Ball pin		-	
D 451-59a	Ball pin		152	
DS 451-61	Plate		159-160	
D 451-65	Lockplate		148-152	
D 451-65a	Lockplate		-	
D 451-67	Bush	VI	-	
D 451-79	Spring		-	
DS 451-87	Pin		160	
DS 451-90	Lockwasher		-	
D 451-91a	Drain ring		159-160	
D 451-102	Pin		148-152	
DS 451-103	Screw		-	
DS 451-103a	Screw		-	
DS 451-103b	Screw		-	
D 451-105	Plug		-	
D 451-105a	Plug		152	

NUMBER	DESIGNATION	Section	PAGE No.	REMARKS
D 451-106	Support	VI	148-152	
D 451-110	Screw		159-160	
DM 452-1	Duct		148-152	
DS 452-1a	Duct		152	
DS 452-89	Joint	VI	-	
D 452-92	Crossmember		308	
DS 453-05	Cylinder		159-160	
D 453-08a	Piping		195	
DS 453-08	Piping		195-199	
D 453-010	Piping		195	
D 453-010a	Piping		-	
D 453-015	Piping		195-199	
DS 453-021d	Body		191	
DM 453-030	Carrier		152	
DM 453-030a	Carrier		-	
DM 453-030b	Carrier		148	
D 453-1a	Pedal		191	
DS 453-1a	Pedal		-	
DS 453-1b	Pedal		-	
D 453-9	Pipe assembly		-	
D 453-9a	Pipe assembly		-	
DF 453-9	Pipe assembly		-	
DS 453-9a	Pipe assembly		-	
DS 453-9d	Pipe assembly		-	
DS 453-9e	Pipe assembly		-	
D 453-15	Circlip		104-191	
D 453-16	Pipe assembly		195	
DF 453-16	Pipe assembly		199	
DF 453-16a	Pipe assembly		-	
DS 453-16	Pipe assembly		195	
DS 453-20	Cylinder		159-160	
D 453-21b	Piston		159	
DS 453-21a	Piston		160	
D 453-22	Spring		148	
D 453-24	Dust cover		159-160	
DM 453-24	Dust cover		160	
D 453-26	Screw		104-159	
DF 453-27	Pipe		199	
D 453-36a	Bush		191	
DS 453-36	Bush		-	
D 453-39	Plate		195	
DS 453-39	Plate	VI	-	
DS 453-39a	Plate	VI	-	
DF 453-41	Piping		199	
D 453-44	Plate		195	
DS 453-44	Plate	VI	-	
D 453-46	Piston	VI	148-155	
DM 453-46	Piston		155	
D 453-47	Rod		148-155	

NUMBER	DESIGNATION	Section	PAGE No.	REMARKS
D 453-48a	Piping		195	
DS 453-48	Piping		-	
DS 453-48a	Piping		-	
D 453-49	Piping		-	
DF 453-49	Piping		199	
DS 453-49a	Piping		195	
DS 453-50	Piping		195-199	
DF 453-50a	Piping		199	
DS 453-50a	Piping		-	
DS 453-50b	Piping		-	
D 453-51	Spring		191	
D 453-52	Gasket		-	
DS 453-52	Pipe	VI	199	
D 453-53	Washer		191	
DS 453-54	Plate	VI	-	
DS 453-54a	Plate	VI	-	
DM 453-55a	Pipe		195-199	
DS 453-55	Pipe		195	
D 453-58	Screw		195-199	
D 453-60	Sleeve		195-199-204-211	
D 453-63	Cup		191	
DS 453-64	Screw		199	
D 453-69	Joint	VI	104-191	
DS 453-69	Joint		191	
D 453-70	Cap		-	
D 453-72	Joint	VI	104-159	
D 453-82	Lining		29-30-95-96	
			100-195-199-	
			204-211	
DM 453-82	Sleeve	VI	199-211	
DM 453-82a	Sleeve	VI	65-66	
D 453-91c	Washer		191	
D 453-91d	Washer		-	
DF 453-93	Counter plate		199	
DS 453-94	Pad		195-199	
DS 453-95	Clip		-	
D 453-97	Pad		191	
DM 453-97	Pad		188	
DS 453-97	Pad		191	
D 453-98	Carrier		-	
DS 453-98	Carrier		-	
D 453-104	Pin		148	
D 453-108	Plate		148-155	
DM 453-108	Plate		155	
D 453-115	Pin		191	
D 453-118	Circlip		159-160	
DS 453-119	Gasket		143-148-155-168	
DS 453-119a	Gasket		155	
D 453-120	Packing		148-155	

NUMBER	DESIGNATION	Section	PAGE No.	REMARKS
D 453-120a	Packing		148-155	
DM 453-120	Packing		155	
DM 453-120a	Packing		-	
DM 453-120b	Packing		-	
DM 453-121	Protector	VI	199	
D 453-123	Circlip	VI	148-155	
D 453-127	Bush		148	
D 453-128	Screw		-	
D 453-130	Sleeve		196	
D 453-131	Plug	VI	207	
D 453-132	Plug	VI	-	
D 453-135	Plug		196-199	
D 453-136	Yoke		-	
D 453-138	Grommet		196	
D 453-139	Plate		-	
D 453-141a	Plate		-	
D 453-141b	Plate		196-199	
D 453-144	Screw		196	
D 453-144a	Screw		29-65-196-199	
D 453-149	Sheath		196	
D 453-149a	Sheath		212	
D 453-150	Bush		196-199	
DF 453-152	Union		199	
DS 453-153	Plate		196	
D 453-154	Plate		-	
D 453-158	Screw		191	
D 453-159	Sheath		196	
DS 453-163	Pipe		199	
DS 453-168	Shield		196-199	
DS 453-170	Shield		-	
D 453-173	Sleeve		196	
D 453-177	Plate		196-199	
DF 453-180a	Piping		199	
D 453-199	Pipe		196	
DM 453-199	Pipe		196-200	
DS 453-211	Ring		104-191	
DS 453-216a	Plate	VI	196-200	
DS 453-263	Piping		200	
DM 454-06	Lever		184	
D 454-07	Control		183	
DS 454-07	Control		-	
DS 454-08a	Control		-	
DM 454-010	Lever		184	
D 454-1a	Cable		183	
DM 454-1b	Cable		184	
DM 454-3	Lever		-	
DM 454-6	Lever		-	
DM 454-11b	Push-rod		148-155	
DM 454-11c	Push-rod		-	

NUMBER	DESIGNATION	Section	PAGE No.	REMARKS
D 454-12	Push-rod		148	
D 454-12a	Push-rod		-	
DM 454-12	Push-rod		155	
DM 454-12a	Push-rod		-	
D 454-13	Lever		148	
DM 454-13a	Lever		155	
DM 454-14	Lever		148-155	
DM 454-15a	Lever		-	
D 454-16a	Cable	VI	183-184	
DS 454-16a	Cable	VI	-	
DS 454-18	Buffer		-	
DS 454-18a	Buffer	VI	183	
D 454-22	Wheel		148-155	
D 454-22a	Wheel		-	
DM 454-22	Wheel		151-155	
DM 454-22a	Wheel		-	
DM 454-24c	Bracket		184	
DM 454-24d	Bracket		-	
D 454-25	Lock		183	
DM 454-27a	Handle		184	
D 454-28	Spring		183	
DM 454-28	Spring		184	
DM 454-29	Lock		-	
DM 454-30	Ratchet		-	
DS 454-31	Grille	VI	183	
D 454-32	Stop		-	
D 454-32a	Stop		-	
D 454-33	Pawl	VI	151	
D 454-33a	Pawl	VI	-	
DM 454-33	Pawl	VI	151-155	
DM 454-33a	Pawl	VI	-	
DS 454-33	Pawl	VI	155	
DS 454-33a	Pawl	VI	-	
DS 454-33b	Pawl	VI	-	
DM 454-34f	Cable		184	
DS 454-34a	Cable	VI	183	
D 454-35	Pin		151-155	
DM 454-35	Pin		-	
DM 454-38	Lever		155	
DM 454-39b	Lever		-	
DM 454-52	Half tie-rod		184	
DM 454-54	Pin		-	
DM 454-55	Distance piece	VI	-	
DM 454-57	Pin		-	
D 454-63	Pad		183-187	
D 454-66	Stop		183	
DM 454-67	Screw		184	
D 454-71	Pin		151-155	
D 454-72	Spring		-	

NUMBER	DESIGNATION	Section	PAGE No.	REMARKS
D 454-74	Screw	VI	151-155	
D 454-76	End piece		183-184	
D 454-77	Spring		151-155	
D 454-78	Spring		-	
D 454-79	Plunger	VI	-	
DM 454-89a	Circlip		155	
D 454-93	Disc		151-155	
D 454-94	Bush	VI	151-156	
DS 454-95	Grommet	VI	183-184	
D 454-103	Link		183	
DM 454-103	Rod		184	
DM 454-109	Spring		-	
D 454-113	Grommet		183	
DS 454-113	Sleeve	VI	183-188	
D 454-115	Pin		183	
DM 454-115	Pin		184	
D 454-117	Cap		183	
D 454-118	Nut	VI	151-156	
DM 454-119	Pin		184	
D 454-127	Spring	VI	183	
D 454-142	Buffer		151	
DM 454-142	Buffer		156	
D 454-160	Cup		151-156	
D 456-0	Distributor		191	
DF 456-0	Distributor		-	
D 456-1	Body		-	
D 456-2	Cap		-	
DF 456-3	Slide valve		192	
DS 456-3	Slide valve		-	
D 456-4	Trolley		-	
DS 456-50	Washer		-	
D 456-92	Plate		-	
D 456-93	Plate		-	
D 456-96	Spindle		-	
DF 456-98	Spring		-	
DS 456-98	Spring		-	
D 456-99	Gasket		-	
DS 511-3	Wiring		300	
DS 511-3a	Wiring		-	
DS 511-3c	Wiring		301	
DS 511-5	Wiring		300	
DM 511-6	Wiring		-	
DM 511-6a	Wiring		-	
DM 511-6f	Wiring		301-302	
DM 511-6g	Wiring		-	
DS 511-6	Wiring		300	
DS 511-6a	Wiring		-	
DS 511-6b	Wiring		300-301	
DS 511-6c	Wiring		-	

NUMBER	DESIGNATION	Section	PAGE No.	REMARKS
DM 511-8	Cable		300	
DM 511-8a	Cable		-	
DM 511-8c	Cable		-	
DM 511-8d	Cable		-	
DM 511-8e	Cable		-	
DS 511-8	Cable		-	
DS 511-9	Cable		-	
DS 511-9a	Wiring		-	
DS 511-9b	Wiring		-	
DS 511-9c	Wiring		-	
DS 511-9f	Wiring		-	
DS 511-9g	Wiring		301	
DS 511-9h	Wiring		-	
DS 511-17	Cable		300	
DF 511-19	Wire		50-54-300	
			301-302	
DS 511-19	Wiring		300	
DS 511-23	Wiring		301	
DS 511-23a	Wiring		-	
DS 511-23b	Wiring		-	
DS 511-23g	Wiring		-	
DS 511-23j	Wiring		302	
DW 511-23	Wiring		-	
DM 511-24m	Wiring		301-302	
DS 511-24	Wiring		301	
DS 511-24a	Wiring		-	
DS 511-24g	Wiring		302	
DW 511-24	Wiring		-	
DW 511-24a	Wiring		-	
DM 511-25	Wiring		301-302	
DM 511-25a	Wiring		-	
DS 511-25	Wiring		302	
DS 511-25a	Wiring		-	
DS 511-25b	Wiring		-	
DS 511-25c	Wiring		-	
DS 511-29	Wiring		301	
DS 511-29a	Wiring		-	
DS 511-29b	Wiring		302	
DS 511-29c	Wiring		-	
DS 511-44	Wiring		-	
DM 511-63	Wiring		300-301-302	
DS 511-63a	Cable		302	
D 511-76	Gutter	VI	303	
DS 511-95	Bush		-	
D 511-97	Bush		-	
D 511-98	Bush		-	
D 512-7a	Holder	VI	-	
DS 521-02a	Panel	VI	219	
DS 521-02c	Panel	VI	-	

NUMBER	DESIGNATION	Section	PAGE No.	REMARKS
DS 521-02d	Panel	VI	219	
DS 521-02e	Panel	VI	223	
DW 521-02a	Panel	VI	227	
DW 521-02e	Panel	VI	-	
DW 521-02i	Panel	VI	-	
DW 521-02k	Panel	VI	-	
DS 521-03	Panel	VI	223	
DS 521-08	Panel	VI	219	
DS 521-08c	Panel	VI	-	
DS 521-1	Gauge	VI	-	
DS 521-1b	Gauge	VI	-	
DS 521-1c	Gauge	VI	-	
DW 521-1	Gauge	VI	227	
DS 521-2	Clock	VI	219-223	
D 521-3b	Cable	VI	219	
DS 521-3a	Cable	VI	-	
DS 521-3c	Cable	VI	-	
DW 521-4	Speedometer	VI	227	
DW 521-4a	Speedometer	VI	-	
DS 521-6	Ammeter	VI	219	
DS 521-6a	Ammeter	VI	-	
DS 521-6b	Ammeter	VI	-	
D 521-8	Plate		-	
DS 521-8	Plate	VI	223	
DS 521-10a	Ammeter	VI	-	
DS 521-11	Gauge	VI	219	
DS 521-12a	Gauge	VI	223	
DS 521-13a	Clock	VI	219	
DW 521-13	Clock	VI	223-227	
DW 521-15	Temperature gauge	VI	227	
D 521-16	Clock	VI	224-231	
DM 521-83b	Cable	VI	219-223	
DS 521-83a	Cable	VI	227	
DW 521-83a	Cable	VI	-	
DS 521-84b	Cable	VI	219-223	
DW 521-84a	Cable	VI	227	
DS 521-85	Plate	VI	219-223	
DW 521-85	Lamp panel	VI	227	
D 521-88	Spring	VI	219-223	
DW 521-93	Knob	VI	227	
D 521-94	Plate		219-223	
D 521-96	Bush		215-223-227	
D 521-97	Washer		132-219-223-335	
D 521-98	Spring		219-223	
D 522-02	Switch	VI	-	
DW 522-02	Switch	VI	227	
DW 522-02a	Switch	VI	-	
DS 522-05	Switch	VI	219	
DS 522-05b	Switch	VI	223	

NUMBER	DESIGNATION	Section	PAGE No.	REMARKS
DS 522-05c	Switch	VI	223	
DW 522-05	Switch	VI	227	
D 522-6	Contact	VI	111-219-223-227	
D 522-7a	Switch	VI	219-223-287-292	
DM 522-7a	Switch	VI	219-287-292	
D 522-9a	Switch	VI	219-223	
DW 522-9	Switch	VI	227	
D 522-10a	Switch	VI	219-223-251-283	
DW 522-10	Switch	VI	227-283	
D 522-11	Switch	VI	219-223	
D 522-12a	Switch	VI	219	
DM 522-12	Switch	VI	223-227	
D 522-13a	Switch	VI	219-267	
D 522-13b	Switch	VI	224-231	
DS 522-13	Switch	VI	223-267	
D 522-18	Potentiometer	VI	224-231	
D 522-20	Knob	VI	-	
D 522-21	Switch	VI	-	
DM 523-4	Fuse	VI	303	
DM 523-6	Bracket	VI	-	
DM 523-6a	Bracket	VI	-	
DM 523-6b	Bracket	VI	-	
DW 523-6	Bracket	VI	-	
DS 523-98	Bracket	VI	-	
DM 523-99	Packing	VI	-	
DM 523-99a	Packing	VI	-	
DS 523-99	Packing	VI	-	
D 524-01a	Relay	VI	243-244	
DM 524-01a	Relay	VI	243-244-300	
DS 524-01a	Relay	VI	300	
DM 524-01c	Relay	VI	247-248-300	
DS 524-01a	Relay	VI	247-248	
DW 524-29	Switch	VI	227	
DM 524-93	Clamp		247-248	
DM 524-98	Clamp		243-244	
DM 524-98a	Clamp		-	
DM 524-98b	Clamp		247-248	
DS 525-2	Control	VI	219	
DS 525-2b	Control	VI	219-223	
DS 525-2c	Control	VI	223	
DS 525-2f	Control	VI	-	
DW 525-2	Control	VI	227	
DS 525-99	Rubber		219-223	
D 531-2	Support		220	
DM 531-2	Support		-	
DM 531-2a	Support		-	
DS 531-2d	Support		228	
D 531-3	Tray	VI	220	
DM 531-3	Tray	VI	-	

NUMBER	DESIGNATION	Section	PAGE No.	REMARKS
DM 531-7	Support		224	
DM 531-7a	Support		-	
DM 531-8	Tray		228	
DS 531-8	Tray	VI	224	
DW 531-72	Spring		220-224-228	
DM 531-73a	Distance piece		228	
DS 531-73	Distance piece		-	
DS 531-75a	Tie-rod		-	
DW 531-75	Tie-rod		-	
DS 531-76	Plate	VI	220	
D 531-83	Pipe	VI	220-224-228	
D 531-87	Tie-rod		220	
DM 531-87	Tie-rod		220-224	
DM 531-87a	Tie-rod		220-224-228	
DS 531-87	Tie-rod		228	
D 531-89	Packing		220	
DS 531-91d	Support		228	
D 531-92	Flange		220	
DS 531-92	Frame		-	
DS 531-92b	Flange		-	
DS 531-92d	Frame		224	
DS 531-92g	Frame		-	
DS 531-92h	Frame		228	
D 532-0b	Dynamo	VI	235	
D 532-0c	Dynamo	VI	239	
DF 532-0	Dynamo	VI	235	
DF 532-0a	Dynamo	VI	239	
DS 532-0b	Dynamo	VI	235	
DS 532-0e	Dynamo	VI	239	
DS 532-0f	Dynamo	VI	235	
DS 532-0k	Dynamo	VI	-	
DS 532-0p	Dynamo	VI	-	
DS 532-0u	Dynamo	VI	236	
DF 532-03	Bearing	VI	239	
DS 532-0v	Dynamo	VI	240	
DS 532-03	End plate	VI	235	
DS 532-03b	End plate	VI	240	
DM 532-07	End plate	VI	239	
DS 532-07a	End plate	VI	236	
DS 532-07b	End plate	VI	240	
DF 532-4	Coils	VI	239	
DS 532-4	Coil	VI	235	
DS 532-4a	Coil	VI	239	
DS 532-4b	Coil	VI	235	
DS 532-4c	Coils	VI	236	
DS 532-4d	Coils	VI	240	
DW 532-10a	Light	VI	227	
DS 532-11	Brush-holder	VI	235	
DS 532-13	Bush	VI	236	

NUMBER	DESIGNATION	Section	PAGE No.	REMARKS
DF 532-15	Spring	VI	239	
DF 532-28	Armature	VI	-	
DM 532-28	Armature	VI	235	
DS 532-28	Armature	VI	-	
DS 532-28a	Armature	VI	239	
DS 532-28c	Armature	VI	236	
DS 532-28d	Armature	VI	240	
D 532-32a	Stay		235-239-240	
DS 532-32a	Stay		235-236-239	
DM 532-34	Pulley	VI	235	
DM 532-34a	Pulley	VI	239	
DS 532-34	Pulley	VI	235	
DS 532-34a	Pulley	VI	239	
DS 532-34b	Pulley	VI	235	
DS 532-34c	Pulley	VI	239	
DS 532-34d	Pulley	VI	236	
DS 532-34e	Pulley	VI	240	
DS 532-36a	Plate	VI	239	
DS 532-40	Bearing	VI	240	
DS 532-85	Washer		235-236-239	
DS 532-85a	Washer		-	
DS 532-85b	Washer		240	
DS 532-85c	Washer		-	
DS 532-87	Plate	VI	235	
DS 532-87a	Plate	VI	239	
DS 532-88	Bracket	VI	235	
DS 532-88a	Bracket	VI	239	
DS 532-89	Cabbling	VI	235	
DS 532-89a	Cabbling	VI	239	
DF 532-94	Rod	VI	-	
DS 532-94	Rod	VI	235	
DS 532-94a	Rod	VI	239	
DS 532-94c	Rod	VI	240	
D 533-01a	Starter	VI	243	
D 533-01b	Starter	VI	244	
DF 533-01	Starter	VI	248	
DM 533-01	Starter	VI	247	
DM 533-01a	Starter	VI	248	
DS 533-01a	Starter	VI	247	
DS 533-01b	Starter	VI	248	
D 533-1	Ring		18-243-244- 247-248	
DM 533-2	Bush	VI	247	
DF 533-3	End plate	VI	248	
DM 533-3	End plate	VI	247	
DS 533-3	End plate	VI	243	
DS 533-3a	End plate	VI	244	
DS 533-3b	End plate	VI	247	
DS 533-3c	End plate	VI	248	

NUMBER	DESIGNATION	Section	PAGE No.	REMARKS
DS 533-6	Spring	VI	243-244-247-248	
DF 533-9	Coil	VI	248	
DM 533-9	Coil	VI	247	
DM 533-9a	Coil	VI	244-248	
DS 533-9	Coil	VI	243	
DS 533-9a	Coil	VI	244	
DF 533-11	Armature	VI	248	
DM 533-11	Armature	VI	247	
DM 533-11a	Armature	VI	248	
DS 533-11	Armature	VI	243	
DS 533-11a	Armature	VI	244	
DM 533-12	Bush	VI	247	
DF 533-13	Bearing	VI	248	
DM 533-13	Bearing	VI	247	
DS 533-13	Bearing	VI	243	
DS 533-13a	Bearing	VI	244	
DM 533-14	Brush-holder.....	VI	247	
DF 533-15	Brush	VI	248	
DF 533-15a	Brush	VI	-	
DM 533-15	Brush	VI	247	
DM 533-15a	Brush	VI	-	
DS 533-15	Brush	VI	243	
DS 533-15a	Brush	VI	-	
DS 533-15b	Brush	VI	244	
DS 533-15c	Brush	VI	-	
DM 533-16	Spring	VI	247	
DM 533-20	Terminal	VI	-	
DS 533-20	Terminal	VI	243	
DS 533-20a	Terminal	VI	244-248	
D 533-21b	Starter pinion	VI	243-244-247-248	
DF 533-22	Bearing	VI	248	
DM 533-22	Bearing	VI	247	
DS 533-22	Bearing	VI	244	
DS 533-23	Plate	VI	-	
DS 533-24	Sleeve	VI	243-244-247-248	
DS 533-25	Spring	VI	-	
DS 533-26	Pinion	VI	-	
DS 533-28	Sleeve	VI	-	
DS 533-37	Shield		247-248	
DF 533-40	Bush	VI	248	
DS 533-85	Washer	VI	243-244-247-248	
DS 533-88	Nut	VI	-	
DS 533-89	Washer	VI	-	
DS 533-90	Lockplate	VI	-	
DS 533-91	Bush	VI	-	
DF 533-97	Rod	VI	248	
DM 533-97	Rod	VI	247	
DS 533-102	Support		247-248	
DM 535-1d	Regulator	VI	236-239-240	

NUMBER	DESIGNATION	Section	PAGE No.	REMARKS
DS 535-1a	Regulator	VI	235-239	
DS 535-1d	Regulator	VI	235-236-240	
DS 535-83	Support		235	
DM 535-89	Buffer		235-236-239-240	
D 535-98	Support		235-239	
DS 541-03	Support	VI	284	
DS 541-03a	Support	VI	-	
DS 541-03d	Support	VI	-	
DS 541-03e	Support	VI	-	
DM 541-1c	Headlamp	VI	292	
DS 541-1a	Headlamp	VI	284	
DS 541-1b	Headlamp	VI	-	
DS 541-1k	Headlamp	VI	-	
DS 541-1m	Headlamp	VI	-	
DM 541-4	Glass	VI	292	
DS 541-4	Glass	VI	284	
DS 541-4a	Glass	VI	-	
DS 541-4c	Glass	VI	-	
DS 541-4e	Glass	VI	-	
DS 541-4f	Glass	VI	292	
DS 541-11	Cover	VI	284	
DS 541-11a	Cover	VI	-	
DS 541-11b	Cover	VI	-	
DS 541-12	Rim	VI	284-292	
DS 541-12a	Rim	VI	284	
DS 541-12b	Rim	VI	-	
DS 541-13	Bulb-holder.....	VI	284-292	
DS 541-13a	Bulb-holder	VI	284	
DS 541-13c	Connector	VI	-	
DS 541-13e	Connector	VI	284-292	
DS 541-13g	Connector	VI	284	
DS 541-97	Clip	VI	-	
D 541-99	Light	VI	219-223	
DM 544-02a	Lamp	VI	288	
DS 544-02e	Lamp	VI	-	
DS 544-02	Lamp	VI	291-295	
DW 544-02b	Lamp	VI	288	
DS 544-03	Lamp	VI	291-295	
D 544-04a	Lamp	VI	287	
DM 544-011	Lamp	VI	291-295	
DS 544-1e	Panel		299	
DM 544-4	Cover	VI	288	
DS 544-4e	Cover	VI	-	
DS 544-5	Globe	VI	291-295	
D 544-10	Light	VI	284-292	
D 544-11	Joint		-	
DS 544-12	Joint	VI	295	
DM 544-14	Plate	VI	291-295	
D 545-2b	Roof light	VI	291	

NUMBER	DESIGNATION	Section	PAGE No.	REMARKS
D 545-2c	Roof light	VI	291	
DS 545-3	Plate	VI	287-292	
D 545-4	Glass	VI	291	
D 545-4a	Glass	VI	-	
DS 545-4a	Glass	VI	287-292	
DS 545-5	Lamp	VI	-	
DS 545-5a	Lamp	VI	287	
DS 545-6	Plate	VI	287-292	
DS 545-6a	Plate	VI	-	
DS 545-7b	Housing	VI	-	
DS 545-8	Hook	VI	-	
DS 545-9	Lamp	VI	-	
DS 545-10	Cover	VI	-	
DS 545-84	Support		-	
DS 545-87	Support		-	
DS 545-87a	Support		287	
DS 545-92	Clip	VI	287-292	
DS 545-93	Clip	VI	-	
DS 545-94	Lamp	VI	287	
D 551-2	Support		299	
DW 551-2a	Support	VI	-	
D 551-3	Mirror	VI	-	
DW 551-3b	Mirror	VI	-	
DW 551-5	Housing	VI	-	
DW 551-92	Buffer		-	
DW 551-92a	Buffer		-	
DW 551-92b	Buffer		-	
DS 554-01	Sun visor		-	
DS 554-01d	Sun visor		-	
DS 544-01h	Sun visor		-	
DS 554-01i	Sun visor		-	
DS 554-01j	Sun visor		-	
DS 554-01k	Sun visor		-	
DS 554-01r	Sun visor		-	
DS 554-01s	Sun visor		-	
D 554-1	Screen		-	
D 554-1a	Screen		-	
DS 554-1a	Screen		-	
DS 554-1c	Screen		-	
DS 554-83	Pin		-	
DS 554-83b	Pin		-	
D 554-90	Plug	VI	-	
D 554-90a	Plug	VI	-	
D 554-91	Bearing	VI	-	
D 554-96	Sleeve	VI	-	
DS 554-97	Support		-	
DS 554-97a	Support		-	
D 561-01a	Motor	VI	251	
DS 561-01b	Motor	VI	255	

NUMBER	DESIGNATION	Section	PAGE No.	REMARKS
DS 561-01c	Motor	VI	255	
DS 561-01d	Motor	VI	-	
D 561-2	Motor	VI	251	
DS 561-2	Motor	VI	252	
DS 561-2a	Motor	VI	-	
DS 561-3	Tube	VI	251	
D 561-6	Plate	VI	-	
DS 561-6	Plate	VI	252	
DS 561-7	Support	VI	-	
DS 561-8	Block	VI	-	
DS 561-51	Drive	VI	-	
DS 561-63	Backplate	VI	255	
DW 561-63	Backplate	VI	-	
DS 561-65	Joint	VI	252	
DS 561-66	Stud	VI	-	
DS 561-67	Plate	VI	-	
DS 561-68	Plate	VI	-	
DS 561-68a	Crank	VI	255	
DS 561-69	Washer	VI	252	
DS 561-70	Screw	VI	-	
DS 561-70a	Screw	VI	255	
DS 561-71	Nut carrier	VI	252	
DS 561-76	Nut	VI	-	
D 561-77	Screw	VI	251	
DS 561-77	Screw	VI	252	
DS 561-80	Washer	VI	-	
DS 561-81	Washer	VI	255	
DS 563-03a	Reservoir	VI	232	
DS 564-03b	Reservoir	VI	-	
DS 564-03c	Reservoir	VI	231	
DS 564-04	Cover	VI	232	
DM 564-07	Screen washer	VI	-	
DS 564-07b	Screen washer	VI	-	
D 564-1	Casing	VI	267	
D 564-2	Cover	VI	-	
D 564-3	Fan	VI	-	
D 564-5	Nozzle		-	
DS 564-5	Nozzle	VI	276	
DW 564-5	Nozzle	VI	272-276	
D 564-6	Nozzle		267	
DW 564-6	Nozzle	VI	272-276	
DW 564-6a	Nozzle	VI	-	
D 564-7b	Motor	VI	267	
DS 564-7	Jet	VI	-	
DS 564-8	Jet	VI	232	
DS 564-8a	Jet	VI	-	
DS 564-8c	Jet	VI	231-232	
DS 564-8d	Jet	VI	-	
DM 564-9	Pump	VI	232	

NUMBER	DESIGNATION	Section	PAGE No.	REMARKS
DS 564-9	Pump	VI	232	
DS 564-9a	Pump	VI	231	
DW 564-9a	Pump	VI	-	
DS 564-41	Bracket		276	
DM 564-46	Nozzle	VI	283	
DS 564-47	Bracket		276	
DS 564-47a	Bracket	VI	-	
DS 564-54	Joint	VI	232	
DS 564-54a	Joint	VI	231-232	
DS 564-55	Pipe	VI	232	
DS 564-55a	Pipe	VI	-	
DS 564-55b	Pipe	VI	231-232	
DS 564-56	Pipe	VI	232	
DS 564-57	Control	VI	-	
DS 564-58	Strainer	VI	-	
DS 564-59	Plate	VI	-	
DW 564-60	Sealing strip		272-276	
DW 564-65	Pipe	VI	-	
DW 564-65a	Pipe	VI	-	
DS 564-67a	Cover	VI	232	
DS 564-67b	Cover	VI	231	
DS 564-69	Screw	VI	232	
DS 564-70	Bracket	VI	-	
DS 564-71	Plug	VI	-	
DW 564-71	Union	VI	272-276	
DW 564-71a	Union	VI	-	
DS 564-72	Reservoir	VI	232	
DS 564-72a	Reservoir	VI	-	
DS 564-72b	Reservoir	VI	231	
D 564-74	Joint		267	
D 564-75	Plate		-	
D 564-76	Plate		-	
D 564-77	Screw		-	
D 564-78	Screw		-	
DM 564-78	Duct	VI	283	
D 564-79	Bush		267	
D 564-80	Plate		267-272	
DM 564-80	Finisher	VI	283	
DS 564-80	Finisher		276	
DS 564-80a	Finisher		-	
DW 564-80	Finisher		272-276	
DW 564-80a	Finisher		-	
D 564-84	Duct	VI	267	
DW 564-84	Duct	VI	272-276	
D 564-85	Duct	VI	267	
DM 564-85	Joint	VI	283	
DM 564-87	Reinforcement	VI	-	
DS 564-101	Washer	VI	267	
DS 564-102	Washer	VI	-	

NUMBER	DESIGNATION	Section	PAGE No.	REMARKS
DM 564-103	Pipe	VI	231-232	
DM 564-105	Protector	VI	-	
DS 564-105	Protector	VI	232	
DW 564-114	Union		272-276	
D 565-0	Wiper	VI	251	
DS 565-0	Wiper	VI	252	
DS 565-0a	Wiper	VI	-	
DS 565-0c	Wiper	VI	255	
DW 565-0	Wiper	VI	-	
D 565-03	Control	VI	251	
DS 565-04a	Linkage	VI	255	
DW 565-04	Linkage	VI	-	
DS 565-06	Spindle	VI	251	
DS 565-07	Linkage	VI	-	
DS 565-2b	Arm	VI	251-252	
DS 565-2c	Arm	VI	-	
DS 565-2d	Arm	VI	255	
DS 565-2e	Arm	VI	-	
D 565-4	Link	VI	251	
D 565-4a	Link	VI	-	
D 565-5	Bracket	VI	-	
D 565-5a	Bracket	VI	-	
DS 565-5	Bracket	VI	252	
DS 565-5a	Bracket	VI	-	
DS 565-5b	Bracket	VI	255	
DS 565-5c	Bracket	VI	-	
DW 565-5	Bracket	VI	-	
DW 565-5a	Bracket	VI	-	
DS 565-7a	Rod	VI	-	
DW 565-7	Rod	VI	-	
DS 565-10b	Wiper arm	VI	251-252	
DS 565-10c	Wiper arm	VI	-	
DS 565-10d	Wiper arm	VI	255	
DS 565-10e	Wiper arm	VI	-	
DS 565-12	Blade	VI	251-252	
DS 565-12a	Blade	VI	255	
D 565-13	Bracket	VI	251	
D 565-14	Plate	VI	-	
D 565-16	Plate	VI	-	
D 565-18	Link	VI	-	
DS 565-18	Link	VI	252	
DS 565-21	Link	VI	251	
DS 565-23	Link	VI	252	
D 565-51	Spring	VI	251	
D 565-52	Rod	VI	-	
D 565-57	Stop	VI	-	
D 565-58	Bush	VI	251-272-276-283	
D 565-59	Stud	VI	251	
D 565-60	Spring	VI	-	

NUMBER	DESIGNATION	Section	PAGE No.	REMARKS
D 565-61	Pin	VI	251	
DS 565-65	Rod	VI	255	
DW 565-65	Rod	VI	-	
DS 565-66	Link	VI	252	
DS 565-66a	Link	VI	-	
DS 565-67	Yoke	VI	-	
D 565-68	Pin	VI	251	
D 565-70	Clip	VI	-	
DS 565-70	Clip	VI	251-252	
DS 565-70a	Clip	VI	255	
D 565-73	Washer		251	
D 565-76	Plate	VI	-	
DS 565-80	Sleeve	VI	-	
DS 565-89	Backplate	VI	252	
DS 565-93	Bush	VI	255	
DS 565-94	Nut	VI	-	
D 565-95	Washer	VI	251	
D 565-96	Cap	VI	251-252	
DS 565-96	Cap	VI	255	
DS 565-97	Circlip	VI	-	
D 565-101	Bearing plate	VI	251	
D 565-102	Buffer		-	
DS 565-102	Buffer	VI	255	
D 565-103a	Shaft	VI	251	
D 565-104	Bush		251-272-276-283	
D 565-105	Tube	VI	251	
DS 565-113	Handle	VI	252	
D 565-115	Washer	VI	251-272-276-283	
DS 565-117	Stop		251-361	
DS 565-117a	Stop		251-252-255-361	
D 565-118	Stop	VI	251	
D 571-1	Horn	VI	304	
DM 571-1d	Horn	VI	-	
D 571-2	Horn	VI	-	
DM 571-2	Horn	VI	-	
DM 571-3a	Horn	VI	-	
DM 571-4	Horn	VI	-	
DS 571-97	Support		-	
DM 571-98	Blade		-	
D 571-99	Support		-	
D 571-99a	Support		-	
DM 571-99	Support		-	
DS 571-99	Support		-	
D 575-1	Lamp	VI	287	
D 575-1a	Lamp	VI	-	
DS 575-1j	Lamp	VI	-	
DS 575-1k	Lamp	VI	-	
DS 575-1p	Lamp	VI	-	
DS 575-1q	Lamp	VI	-	

NUMBER	DESIGNATION	Section	PAGE No.	REMARKS
DS 575-1r	Lamp	VI	287	
DS 575-1s	Lamp	VI	-	
DS 575-2	Lamp	VI	-	
DS 575-2a	Lamp	VI	-	
DS 575-2h	Lamp	VI	291	
DS 575-2i	Lamp	VI	-	
DM 575-3f	Lamp		295	
DS 575-6	Housing	VI	287	
DS 575-6a	Housing	VI	-	
D 575-8b	Joint		-	
D 575-8c	Joint		-	
DM 575-8	Joint	VI	295	
DS 575-8	Joint		287	
DS 575-8f	Joint		-	
D 575-11	Spring	VI	288	
DM 575-13	Glass	VI	295	
DS 575-13	Glass	VI	-	
DS 575-15b	Housing		288	
DS 575-15c	Housing		-	
DS 575-15f	Housing		295	
DS 575-15g	Housing		-	
DS 575-20	Cover	VI	291	
DS 575-20a	Cover	VI	-	
DM 575-24	Lamp	VI	295	
DS 575-24	Lamp	VI	-	
DM 575-26	Collar	VI	-	
DS 575-28b	Reflector	VI	288	
DM 575-66	Housing		295	
DM 575-66a	Housing		-	
DS 575-68	Plate		288-362	
DS 575-68a	Plate		-	
DS 575-69	Plate		-	
DS 575-69a	Plate		-	
DS 575-73a	Joint	VI	295	
D 575-91	Spring	VI	288	
DS 575-92b	Hood		-	
DS 575-92c	Hood		-	
DS 575-92d	Hood	VI	-	
DS 575-92e	Hood	VI	-	
D 575-98	Lamp	VI	219-223	
DS 575-103	Bracket		295	
DS 575-103a	Bracket		-	
DM 576-02a	Switch	VI	288-295	
DS 576-02a	Switch	VI	-	
DS 576-02b	Switch	VI	288-291	
DS 576-84	Screw		288-295	
D 578-2a	Plate		263	
D 578-93	Lining		-	
DS 579-04	Reflector	VI	291	

NUMBER	DESIGNATION	Section	PAGE No.	REMARKS
DS 579-04a	Reflector	VI	291	
D 579-1	Reflector	VI	288-296	
DS 579-1	Reflector	VI	296	
DS 579-1a	Reflector	VI	-	
D 579-2	Reflector	VI	288-296	
DS 579-3	Joint	VI	296	
DS 579-95	Joint	VI	291	
D 579-98	Cup		288-296	
DS 579-99b	Bracket		-	
DS 579-99c	Bracket		-	
DS 611-79	Spring	VI	111	
DS 611-80	Plate	VI	-	
DS 611-82	Lever	VI	-	
DS 611-90	Barrel	VI	-	
DS 611-91	Bolt	VI	-	
D 614-02b	Switch	VI	223	
DF 614-02a	Switch	VI	223-231	
DF 614-02b	Switch	VI	219-231	
DF 614-02c	Switch	VI	231	
DS 614-09	Gauge	VI	223	
DS 614-09a	Gauge	VI	-	
D 614-89	Lamp	VI	219-223	
DS 615-01b	Bumper		256-259	
DS 615-01c	Bumper		260	
DS 615-02f	Bumper		263-264	
DS 615-011a	Bumper		264	
D 615-1	Bracket		256	
D 615-1a	Bracket		-	
D 615-7	Buffer		256-263-264	
D 615-8b	Bracket		263	
D 615-8c	Bracket		-	
DS 615-8d	Bracket		263-264	
DS 615-8e	Bracket		-	
DS 615-9b	Bumper		-	
DS 615-10d	Bumper		-	
DS 615-12	End piece		263	
DS 615-12a	End piece		-	
DS 615-12d	End piece	VI	264	
DS 615-12e	End piece	VI	-	
DS 615-13b	Bumper		256-259	
DS 615-13c	Bumper		260	
DS 615-14d	Half bumper		256-259	
DS 615-14e	Half bumper		-	
DS 615-14j	Half bumper		260	
DS 615-14k	Half bumper		-	
D 615-16	Plate		256-259	
DS 615-16	Plate		260	
D 615-17	Bracket		256	
D 615-17a	Bracket		-	

NUMBER	DESIGNATION	Section	PAGE No.	REMARKS
DM 615-17	Bracket		256	
DM 615-17a	Bracket		-	
DS 615-17b	Bracket		259	
DS 615-17c	Bracket		-	
DS 615-17d	Bracket		260	
DS 615-17e	Bracket		-	
DS 615-18	End piece		256	
DS 615-18a	End piece		-	
DS 615-18d	End piece	VI	259	
DS 615-18e	End piece	VI	-	
DS 615-18f	End piece		260	
DS 615-18g	End piece		-	
D 615-19	Finisher		263	
D 615-19a	Finisher		-	
DS 615-22	Stop	VI	264	
DS 615-26	Bumper		-	
DS 615-26a	Bumper		-	
DS 615-47	Stop	VI	260	
DS 615-47a	Stop	VI	-	
DS 615-48	Stop	VI	-	
DS 615-49	Cover	VI	-	
D 615-55	Bracket		256	
D 615-55a	Bracket		-	
DS 615-55	Support		256-259	
DS 615-55a	Support		-	
DS 615-56b	Support		260	
DS 615-56c	Support		-	
DM 615-57	Reinforcement		256-259	
DS 615-57	Reinforcement		260	
D 615-61	Distance piece		256	
D 615-62	Block		-	
D 615-62a	Block		-	
DS 615-65b	Plate		260	
DS 615-65c	Plate		-	
D 615-68	Packing		256-259	
D 615-73	Washer		256-288-296	
D 615-75	Washer		256-263-264	
DS 615-82	Packing		260	
DM 615-98	Support		256-259	
DM 615-98a	Support		-	
DS 616-87	Ring	VI	387	
DS 616-88	Plate		-	
DS 616-94	Washer	VI	-	
DS 616-97	Plate	VI	-	
DS 621-1	Spanner	VI	306	
DS 621-3	Tool		-	
D 622-4	Strap		-	
DS 622-4	Strap		-	
D 622-6	Strap		-	

NUMBER	DESIGNATION	Section	PAGE No.	REMARKS
DS 622-7	Stand		306	
D 622-8	Bolt		316-319	
DS 622-55	Spanner		306	
DS 622-97c	Bracket		66-306	
DS 622-99	Bracket		65-306	
D 622-100	Panel		308	
D 622-102a	Lining	VI	-	
D 622-106	Disc	VI	306	
DS 623-0	Jack	VI	-	
D 623-61	Gusset		316	
D 623-61a	Gusset		-	
DS 625-1	Bracket		328	
DS 625-96a	Strap		306-323-324	
DM 642-01	Valve	VI	271	
DS 642-01a	Valve	VI	267	
DW 642-01	Valve	VI	272	
DW 642-01a	Valve	VI	276	
DM 642-02	Unit	VI	272-283	
DS 642-02	Unit	VI	272	
DW 642-02	Unit	VI	-	
DM 642-04	Probe	VI	271-283	
DM 642-011	Radiator	VI	272-283	
DS 642-011	Radiator	VI	276	
DM 642-012	Motor	VI	272-283	
DS 642-012	Motor	VI	272-276-283	
DS 642-4	Diaphragm		267	
D 642-5	Bracket	VI	-	
DS 642-5	Bracket	VI	-	
D 642-6	Screw	VI	-	
DS 642-6	Screw	VI	-	
DS 642-7a	Tube		-	
D 642-8	Plate		-	
DS 642-8	Plate		-	
DW 642-8	Plate	VI	272-276	
DM 642-9c	Plate		9-271-283	
DS 642-9	Pipe		267-276	
DS 642-9a	Pipe		267-272-276	
D 642-10	Plate	VI	267	
D 642-11	Radiator	VI	-	
D 642-12	Radiator	VI	-	
DS 642-12	Radiator	VI	271	
DM 642-14	Plate	VI	-	
DM 642-14a	Plate	VI	-	
DW 642-14	Plate	VI	272-276	
DW 642-15	Disc	VI	-	
D 642-17	Resistance	VI	271-275-280	
D 642-17a	Resistance	VI	271	
D 642-18	Casing	VI	-	
DM 642-19	Propeller	VI	272-283	

NUMBER	DESIGNATION	Section	PAGE No.	REMARKS
DS 642-19	Impeller	VI	272-276-283	
DM 642-20	Bracket	VI	272-283	
DM 642-20a	Bracket	VI	-	
DS 642-20	Half-shell	VI	276	
DM 642-21	Box	VI	272-283	
DM 642-22	Volute	VI	-	
DM 642-30	Plate	VI	-	
DM 642-31	Joint	VI	-	
DS 642-32a	Pipe		268-272-276	
DS 642-48	Support		279	
DM 642-51a	Screw	VI	-	
D 642-52	Support	VI	271-275-280	
DW 642-53	Buffer	VI	272-279	
DM 642-55	Pipe		283	
DM 642-58	Protector	VI	-	
DM 642-60	Pipe	VI	-	
DS 642-61	Pipe		271	
DM 642-63	Bracket		272	
DS 642-63	Half-shell	VI	279	
DS 642-66	Clip		268	
DM 642-68	Bracket		272	
DS 642-70	Pipe		271	
DS 642-71a	Plate		268	
DS 642-73a	Bracket		268-272	
DS 642-73b	Bracket		279	
DS 642-75	Joint	VI	268-279	
DS 642-75a	Joint	VI	268-272-279	
D 642-78	Plate		268	
DM 642-78	Plate	VI	268-279-283	
D 642-79	Lockplate		268	
D 642-80	Plate		-	
D 642-81	Plate		268-283	
D 642-82	Lockplate		-	
DS 642-82	Pipe		271	
DS 642-83	Joint		268	
DA 642-84	Pipe		272	
DS 642-84b	Pipe		268	
DS 642-84d	Pipe		279	
D 642-85	Pipe		268	
DM 642-85	Pipe		272-279	
DS 642-86	Pipe		268	
DS 642-87	Pipe		-	
D 642-88	Pipe		-	
DS 642-88a	Pipe		-	
DM 642-93	Body	VI	272-279	
DS 642-96	Pipe		-	
DM 642-97	Pipe		283	
DM 642-98	Pipe		-	
DM 642-100	Washer	VI	279	

NUMBER	DESIGNATION	Section	PAGE No.	REMARKS
DS 642-104	Spring	VI	279	
D 643-02a	Grille		268	
DW 643-02	Grille	VI	272-279	
D 643-03a	Grille		268	
D 643-2	Duct		-	
D 643-2a	Duct		-	
DS 643-2	Duct		279	
DW 643-2	Duct		272	
D 643-5	Duct		268	
D 643-5a	Duct		-	
DS 643-5	Duct		279	
DW 643-5	Duct	VI	272	
DW 643-5a	Duct	VI	-	
DS 643-6	Duct	VI	279	
DS 643-8	Duct		268	
DS 643-8c	Duct		271	
DS 643-11	Grille		279	
DW 643-11	Grille		272-279	
DS 643-17	Duct		279	
DS 643-17a	Duct		-	
DW 643-17	Duct		272-279	
DW 643-17a	Duct		-	
DM 643-19	Grille	VI	272	
DS 643-19	Grille		279	
DS 643-50	Plate		-	
DM 643-52a	Duct		272	
DS 643-52	Duct		279	
DS 643-53a	Plate		-	
DS 643-57	Duct		-	
D 643-66	Plate		268	
D 643-67	Plate		-	
DS 643-67	Plate		279	
D 643-68	Surround		268	
D 643-80	Stay		-	
DM 643-82a	Duct	VI	272-279	
DM 643-88	Grille		275	
D 643-89	Sealing strip	VI	268-275-279	
D 643-90	Duct		268	
DM 643-91a	Duct		275	
D 643-96	Duct		268	
DS 643-103	Duct	VI	279	
D 643-112	Clip	VI	271-275-280	
DM 643-112	Clip	VI	275	
D 643-113	Clip	VI	271-275-280	
D 643-115	Duct	VI	-	
DW 643-115	Inlet		275-279	
DM 643-116	Duct	VI	-	
DM 643-117	Plate		-	
DW 643-119	Plate		-	

NUMBER	DESIGNATION	Section	PAGE No.	REMARKS
D 643-135	Nozzle	VI	271-275-280	
D 643-137	Duct	VI	-	
DM 643-137	Duct		283	
D 643-138	Union	VI	271-275-280	
DM 643-138	Duct		283	
DM 643-145	Duct	VI	-	
DM 643-146	Nozzle	VI	-	
D 643-149	Duct	VI	271-275-280	
DM 643-150	Protector	VI	283	
DM 643-150a	Protector	VI	-	
D 644-02	Shutter		268	
D 644-02a	Shutter		-	
DW 644-02	Shutter		275-279	
DW 644-2	Shutter		-	
DS 644-8	Shutter		268	
DW 644-17	Control		275-279	
DW 644-18	Control		-	
D 644-55	Spring		268	
D 644-55a	Spring		-	
DW 644-55	Spring		275-279	
D 644-56	Pin		268	
DM 644-61a	Shutter		275-279	
D 644-69	Spring		268	
DM 644-70	Distance piece	VI	275-279-283	
DS 644-70	Distance piece	VI	279	
DW 644-72	Cable	VI	275-279	
D 644-77	Spring		268	
D 644-84	Knob	VI	-	
DM 644-84	Cable	VI	275-279	
DW 644-84	Knob	VI	-	
D 644-86	Lever		268	
D 644-87	Lever		-	
DW 644-87	Lever		275-280	
DW 644-92	Knob	VI	-	
D 644-93	Cover	VI	271-275-280	
DM 644-94	Cable	VI	275-280	
DS 644-97	Knob	VI	268	
DM 644-102	Spring		66	
DW 644-119	Plunger	VI	275-280	
DS 651-2b	Housing		220-224	
DS 651-2c	Housing		228	
DW 651-2	Housing		-	
DS 651-3a	Cover		224	
DS 651-3b	Cover		228	
DW 651-3	Cover		-	
DW 651-4	Pocket		-	
DS 651-8	Mirror	VI	220	
DS 651-9	Pocket		228	
DW 651-20	Body	VI	-	

NUMBER	DESIGNATION	Section	PAGE No.	REMARKS
DS 651-40	Pocket		382	
DS 651-40a	Pocket		-	
DW 651-57	Lining	VI	228	
DW 651-57a	Lining	VI	-	
D 651-59	Bracket		220-224	
DW 651-59	Clip		228	
D 651-62	Clip	VI	220-224	
DS 651-62	Clip	VI	224	
D 651-64a	Cover		220-224	
D 651-66	Hinge		-	
D 651-68	Hinge		-	
D 651-74	Bracket		-	
DS 651-74a	Strap		228	
DW 651-74	Strap		-	
D 651-76	Spring		220-224	
DS 651-87	Panel		-	
DS 651-87a	Panel		224	
D 651-89	Spring		220-224	
DW 651-91	Buffer		228	
D 651-93	Pin		220-224	
DS 651-99	Hinge		224	
DW 651-99	Nut	VI	228	
DS 651-100	Reinforcement		224	
D 651-101	Housing	VI	224-231	
DS 651-105	Plate		382	
DW 652-1	Ashtray	VI	224-228	
D 652-2	Ashtray	VI	220-228	
DW 652-2	Ashtray	VI	228	
DW 652-66	Backplate	VI	-	
DW 652-68	Button	VI	-	
DW 652-72	Stop	VI	-	
D 652-74	Cigar lighter	VI	224-231	
DW 652-74a	Cigar lighter	VI	228	
D 652-75	Ashtray	VI	224-231	
D 652-75a	Ashtray	VI	-	
D 652-78	Plate	VI	220-224-228	
DW 652-89	Guide	VI	231	
D 652-90	Plate		219-223	
D 652-90a	Plate	VI	-	
D 652-92	Finisher	VI	220-223	
D 652-92a	Finisher	VI	-	
D 652-93	Ashtray		-	
DW 652-103	Plate		231	
DW 653-0a	Radio	VI	305	
DW 653-01	Aerial	VI	-	
DW 653-05	Assembly	VI	-	
DW 653-1	Condenser	VI	-	
DW 653-10	Loud speaker	VI	-	
DW 653-47	Surround		-	

NUMBER	DESIGNATION	Section	PAGE No.	REMARKS
DW 653-55	Grille	VI	305	
DW 653-56	Joint	VI	-	
DW 653-57	Protector	VI	-	
DW 653-58	Distance piece	VI	-	
DW 653-59	Protector	VI	-	
DW 653-59a	Protector	VI	-	
DW 653-60	Wire	VI	-	
DW 653-69	Cover	VI	-	
D 741-04a	Front unit		308	
DF 741-04d	Front unit		311	
DM 741-04g	Front unit		312	
DM 741-04k	Front unit		311	
DS 741-04	Front unit		308	
DS 741-04c	Front unit		-	
DS 741-04d	Front unit		308-312	
D 741-3	Front unit		308	
DM 741-3b	Front unit		312	
DM 741-3c	Front unit		308-312	
DS 741-3	Front unit		308	
DS 741-3a	Front unit		312	
D 741-5	Sidemember		308	
D 741-5a	Sidemember		-	
DS 741-5	Sidemember		312	
DS 741-5a	Sidemember		-	
D 741-7	Crossmember		308	
DS 741-7a	Crossmember		312	
DM 741-50b	Extension		-	
DM 741-50c	Extension		-	
DS 741-50b	Extension		-	
DS 741-50c	Extension		-	
D 741-58	Panel		308-312	
D 741-58a	Panel		-	
DS 741-58b	Panel		312	
DS 741-58c	Panel		-	
D 741-59	Panel		308-312	
D 741-59a	Panel		-	
D 741-77	Crossmember		308	
DS 741-78	Distance piece		312	
DM 741-91d	Side rail		-	
DS 741-91a	Side rail		-	
DS 741-91b	Side rail		-	
D 741-99	Panel		308	
DS 741-99	Panel		312	
D 741-100a	Sidemember		308	
DM 741-100	Sidemember		308-312	
DM 741-100a	Sidemember		312	
D 741-106	Panel		308	
D 741-108	Felt		-	
D 741-109	Felt		-	

NUMBER	DESIGNATION	Section	PAGE No.	REMARKS
D 742-01	Rear unit		316	
DS 742-01	Rear unit		319	
D 742-97	Panel		316-319	
DB 743-1	Sidemember		316	
DB 743-1a	Sidemember		-	
DB 743-1b	Sidemember		319	
DB 743-1c	Sidemember		-	
DM 743-1	Sidemember		316	
DM 743-1a	Sidemember		-	
DS 743-1	Sidemember		319	
DS 743-1a	Sidemember		-	
D 743-2	Crossmember		316	
DS 743-2	Crossmember		319	
DS 743-77	Panel		-	
DS 743-77a	Panel		-	
D 743-87	Lining		316-319	
D 743-87a	Lining		-	
DF 743-87	Lining		-	
DF 743-87a	Lining		-	
D 743-91	Rubber	VI	271	
DS 744-2	Floor		319	
DS 744-3	Heelboard		316-319	
DS 744-128	Plug		-	
DS 744-129	Plug		-	
D 811-2a	Side rail		308-312-316-319	
DM 811-2	Side rail		-	
D 811-67	Side rail		339	
D 811-75	Extension		-	
D 811-75a	Extension		-	
D 811-94	Side rail		-	
D 811-99	Side rail		-	
D 812-1	Pillar		316-319	
DW 812-1	Pillar		319	
D 812-1a	Pillar		316-319	
DW 812-1a	Pillar		-	
D 812-2	Pillar		-	
D 812-2a	Pillar		-	
DS 812-2	Pillar		-	
DS 812-2a	Pillar		-	
D 812-72	Panel		308-312	
D 812-72a	Panel		308-315	
D 812-73	Panel		-	
D 812-73a	Panel		-	
D 812-79	Panel		316-319	
D 812-79a	Panel		-	
D 812-88	Pillar		308-315	
D 812-88a	Pillar		-	
D 812-90	Pillar		-	
D 812-90a	Pillar		-	

NUMBER	DESIGNATION	Section	PAGE No.	REMARKS
DM 813-3	Crossmember		316-319	
D 813-9	Crossmember		-	
D 813-66	Panel		-	
D 813-67	Crossmember		-	
D 813-92	Crossmember	VI	359	
D 813-96	Crossmember	VI	-	
DM 814-64	Gusset		308-315	
D 814-88a	Gusset		-	
D 814-95	Gusset		316-319	
D 814-95a	Gusset		-	
D 814-97	Reinforcement		-	
D 814-97a	Reinforcement		-	
DS 821-9f	Panel		339	
DS 821-9g	Panel		-	
DS 821-10b	Panel		-	
DS 821-10c	Panel		-	
D 821-55	Lining		316-319	
D 821-55a	Lining		-	
D 821-73	Panel		-	
D 821-73a	Panel		316-320	
D 821-74	Wheel arch		-	
D 821-74a	Wheel arch		-	
D 821-91	Gusset		-	
D 821-91a	Gusset		-	
D 821-94	Panel		-	
D 821-94a	Panel		-	
DM 821-104b	Panel		339	
DM 821-104c	Panel		-	
D 822-03	Panel		366	
DS 822-04	Cover		369	
DS 822-04a	Cover		-	
DS 822-04b	Cover		373	
D 822-2	Panel		311	
D 822-2a	Panel		-	
DM 822-2c	Panel		315	
DM 822-2e	Panel		-	
DS 822-2	Panel		311-315	
DS 822-2a	Panel		-	
DW 822-2	Panel		315	
DW 822-2a	Panel		-	
D 822-3	Panel		311-315	
DW 822-3	Panel		315	
D 822-5a	Cover		366	
DW 822-5	Panel		369	
D 822-6a	Panel		366	
DS 822-6	Panel		-	
DS 822-6a	Panel		-	
DW 822-6	Panel		369	
D 822-8	Surround	VI	366	

NUMBER	DESIGNATION	Section	PAGE No.	REMARKS
DS 822-8	Surround	VI	373	
DW 822-8	Surround	VI	369	
D 822-9	Support		366	
DS 822-9	Support		-	
DS 822-23	Panel		373	
DS 822-41	Rubber		-	
DW 822-41a	Sealing strip		369	
DW 822-44	Cover		-	
DW 822-44a	Cover		373	
DW 822-52	Packing	VI	369-373	
DW 822-52a	Packing	VI	-	
D 822-54	Plate		-	
DS 822-54	Panel		366	
DS 822-54a	Panel		369	
DW 822-54	Panel		-	
DW 822-54a	Panel		-	
DS 822-59	Panel		373	
DW 822-59	Panel		369	
D 822-60	Reinforcement		366	
DS 822-60	Support		373	
DW 822-60	Support		369	
DW 822-62	Packing		369-373	
D 822-63	Finisher		366	
DS 822-63f	Finisher	VI	369-373	
DW 822-63	Finisher	VI	-	
DW 822-63a	Finisher	VI	373	
D 822-67	Rubber		366	
D 822-71	Plate	VI	-	
DS 822-75	Panel		373	
D 822-76	Support		366	
DS 822-76	Support		369-373	
DS 822-76a	Support		-	
DS 822-76b	Support		-	
DW 822-76a	Support		-	
DW 822-76b	Support		373	
DS 822-78	Washer		366	
DW 822-80	Packing		369	
DW 822-83	Seal		369-373	
D 822-90	Plate	VI	366	
DW 822-99	Finishing strip	VI	369	
DW 822-100	Buffer		-	
D 822-103	Support		366	
D 822-131	Finishing strip		-	
D 822-132	Finishing strip		-	
D 822-135	Plate		-	
D 822-136	Plate		-	
DS 823-1a	Panel		316-320	
DS 823-1b	Panel		-	
DS 823-73	Panel		365	

NUMBER	DESIGNATION	Section	PAGE No.	REMARKS
D 825-3b	Roof		339	
DS 825-67	Rubber		-	
DS 825-75	Plate	VI	-	
D 825-90	Washer		-	
D 825-91a	Sealing strip		-	
DS 825-91	Rubber		-	
D 825-92	Screw	VI	256-263-339- 343-361	
D 825-92a	Screw		339	
DM 826-2	Partition		381	
DM 826-50	Partition		-	
D 826-52	Nut	VI	359	
DM 826-53	Sealing strip	VI	362	
D 826-94	Frame	VI	359	
D 831-01a	Panel		192	
DF 831-01b	Panel		-	
DS 831-01b	Panel		-	
DS 831-01e	Panel		-	
DS 831-02c	Panel		-	
D 831-1a	Panel		311	
DF 831-1a	Panel		-	
DS 831-1a	Panel		315	
DS 841-04	Door		343	
DS 841-04a	Door		-	
D 841-8	Buffer		-	
DS 841-11	Hinge	VI	360	
DS 841-11a	Hinge	VI	-	
DS 841-13	Door		-	
DS 841-13a	Door	VI	-	
D 841-15	Rubber		343	
DS 841-15a	Rubber		-	
DS 841-15b	Rubber		-	
DM 841-16	Sealing strip	VI	-	
D 841-17	Panel		382	
D 841-18	Panel		-	
DS 841-22	Sealing strip	VI	343	
D 841-53	Plate		-	
D 841-53a	Plate		-	
D 841-55	Plate		-	
D 841-55a	Plate		-	
DS 841-56	Packing		-	
DS 841-56a	Packing		-	
DS 841-56b	Packing		-	
D 841-57	Edging		382	
D 841-57a	Edging		-	
D 841-58	Plate		343	
D 841-60	Packing		-	
D 841-60a	Packing		-	
D 841-66	Sealing strip		-	

NUMBER	DESIGNATION	Section	PAGE No.	REMARKS
D 841-66a	Sealing strip		343	
D 841-67	Sealing strip		-	
D 841-67a	Sealing strip		-	
DS 841-67	Rubber		360	
DS 841-67a	Rubber		-	
D 841-68	Reinforcement		343	
D 841-68a	Reinforcement		-	
DS 841-68	Moulding	VI	360	
D 841-74	Reinforcement		343	
D 841-74a	Reinforcement		-	
D 841-79	Sealing strip		-	
D 841-79a	Sealing strip		-	
D 841-81	Sealing strip		-	
D 841-81a	Sealing strip		-	
D 841-82	Flange		-	
D 841-83	Spring		-	
D 841-87	Stop	VI	-	
DS 841-90	Support		-	
DS 841-90a	Support		-	
D 841-91	Sealing strip		-	
D 841-91a	Sealing strip		-	
DS 841-91	Rubber		360	
DS 841-91a	Rubber		-	
D 841-92	Support		343	
D 841-93	Screw		-	
DS 842-07	Door		-	
DS 842-07a	Door		-	
D 842-3	Strap		-	
D 842-5	Spring		-	
D 842-15	Rubber		344	
DS 842-15a	Rubber		-	
DS 842-15b	Rubber		-	
DM 842-16	Sealing strip	VI	-	
DS 842-17	Buffer		339	
DS 842-17a	Buffer		-	
DS 842-17b	Buffer		-	
DS 842-17c	Buffer		-	
D 842-18	Panel		382	
D 842-19	Panel		-	
DS 842-20	Sealing strip	VI	344	
D 842-56	Edging		382	
D 842-56a	Edging		-	
D 842-60	Plate		344	
D 842-61	Sealing strip		-	
D 842-61a	Sealing strip		-	
D 842-66	Pin		-	
D 842-67	Washer		-	
D 842-68	Roller	VI	-	
D 842-71	Spindle		-	

NUMBER	DESIGNATION	Section	PAGE No.	REMARKS
D 842-73	Sealing strip		344	
D 842-73a	Sealing strip		-	
D 842-74	Sealing strip		-	
D 842-74a	Sealing strip		-	
D 842-78	Link		-	
D 842-79	Sealing strip		-	
D 842-88	Sealing strip		-	
D 842-88a	Sealing strip		-	
D 842-100	Plate		-	
D 842-100a	Plate		-	
DM 844-07	Hinge		362	
DM 844-07a	Hinge		-	
DS 844-013	Hinge	VI	365	
DS 844-013a	Hinge	VI	-	
DM 844-19	Door		362	
D 844-23	Joint		-	
D 844-23a	Joint		-	
DS 844-31	Door	VI	365	
D 844-52	Moulding		316-320	
D 844-56b	Stay		362	
D 844-56c	Stay		-	
DS 844-59	Spring		-	
DS 844-59a	Spring	VI	365	
D 844-61a	Stay		362	
D 844-72	Rubber		-	
DS 844-72	Sealing strip	VI	365	
D 844-87	Rubber		362	
D 844-89	Rubber		-	
DS 844-89	Sealing strip	VI	-	
DS 851-03	Wing		332	
DS 851-03a	Wing	VI	-	
D 851-4	Mudflap		323-324-328	
D 851-6	Bracket		331	
D 851-9	Mudflap		331-332	
D 851-9a	Mudflap		-	
D 851-11	Mudflap		-	
D 851-11a	Mudflap		-	
DS 851-43	End piece	VI	332	
DS 851-43a	End piece	VI	-	
D 851-51	Rubber		331-332	
D 851-52	Bracket		323-324	
D 851-52a	Bracket		-	
DS 851-57	Trimming		328	
D 851-58	Washer		323-324-339	
DM 851-60d	Wing		323	
DS 851-60a	Wing		-	
DS 851-60b	Wing		324	
DS 851-60c	Wing		-	
DS 851-60d	Wing		-	

NUMBER	DESIGNATION	Section	PAGE No.	REMARKS
DS 851-60e	Wing		324	
DS 851-60f	Wing		328	
DS 851-60g	Wing		-	
DW 851-60	Wing		324	
D 851-61	Washer		323-324-328	
D 851-62	Plate		323	
DS 851-62	Support		323-324-328	
DS 851-63	Spring		-	
D 851-64	Support		323	
DM 851-67	Wing		331	
DM 851-67a	Wing		-	
DS 851-67b	Wing		332	
DS 851-67c	Wing		-	
D 851-68	Rubber		331-332	
D 851-70	Support		-	
D 851-72	Stop		-	
DS 851-72	Beading	VI	324	
D 851-77	Screw		331	
DS 851-77	Screw		332	
D 851-78	Spigot		331-332	
D 851-79	Washer		331	
DS 851-79	Sealing strip	VI	324-328	
D 851-81	Rubber		331-332	
D 851-81a	Rubber		-	
D 851-83	Rubber		323-324-328	
DS 851-85	Plate		263-264-332	
DS 851-86	Screw		323-324-328	
D 851-89	Rubber		-	
DS 851-89	Screen		324	
D 851-91	Support		323-324	
D 851-95	Rubber		323-324-328	
DS 851-95	Strap		324	
D 851-100	Plate		331	
DS 851-100a	Plate		332	
DS 851-107	Distance piece	VI	324	
D 851-110	Reinforcement		331-332	
D 851-112	Plate		-	
D 851-113	Plate		323-324-328	
D 851-122	Plate		331-332	
D 851-124	Moulding		316-320	
D 851-124a	Moulding		-	
D 851-126	Rubber	VI	331-332	
D 851-131	Tie-rod		-	
D 851-132	Rubber		323-324	
D 851-133	Support		-	
D 851-133a	Support		-	
D 851-134	Backplate		-	
D 851-135	Backplate		-	
D 851-136	Plate		324	

NUMBER	DESIGNATION	Section	PAGE No.	REMARKS
D 851-138	Plate		323-324	
D 851-138a	Plate		-	
DS 851-139	Rubber	VI	328	
DS 851-139a	Rubber	VI	-	
D 851-142	Sealing strip	VI	323-324	
D 851-142a	Sealing strip	VI	-	
DS 851-142a	Rubber		328	
DS 851-149	Support		323-324-328	
DS 851-151	Washer		-	
DS 851-152	Grille		324	
DS 851-152a	Grille		-	
DS 851-152b	Grille		-	
DS 851-152c	Grille		-	
DS 851-157	Plate		332	
DS 851-159	Support		-	
DS 851-160	Clamp		288-296-332	
DS 851-160a	Clamp		296-332	
DS 851-189	Plate		328	
D 852-05	Hinge		335	
D 852-05a	Hinge		-	
DS 852-07	Hinge		-	
DS 852-07a	Hinge		-	
DS 852-2b	Bonnet		-	
DS 852-2c	Bonnet		-	
D 852-52	Plate		-	
DS 852-52	Plate		-	
D 852-64	Support		-	
D 852-64a	Support		-	
D 852-69	Buffer		-	
D 852-106	Stay		-	
DS 852-106	Stay		-	
D 852-116	Rubber		-	
DS 852-122	Catch		-	
DS 852-122a	Catch		-	
DS 852-123	Hook		-	
D 852-124	Sealing strip		-	
DS 852-126	Strip		-	
DS 852-128	Pin		-	
D 853-1a	Panel		311	
D 853-56	Lining	VI	359	
D 853-59	Lining	VI	-	
D 853-60	Lining	VI	-	
DS 853-60	Rubber		311-315	
D 853-62	Lining	VI	359	
DS 853-62	Panel		316	
DS 853-62a	Panel		-	
DS 853-62b	Panel		316-320	
DS 853-62c	Panel		-	
D 853-63	Surround	VI	359	

NUMBER	DESIGNATION	Section	PAGE No.	REMARKS
DS 853-63	Panel		311	
DS 853-63a	Panel		-	
DS 853-63b	Panel		311-315	
DS 853-63c	Panel		-	
D 853-66	Rubber		362	
D 853-67	Rubber		366	
DS 853-69	Panel		-	
DS 853-69a	Panel		373	
DW 853-69	Panel		369	
D 853-70	Plate		366	
DS 853-70	Plate		-	
D 853-71	Plate		-	
DM 853-75	Plate		369	
DS 853-76	Panel		366	
DS 853-76b	Panel		369-373	
DS 853-76c	Panel		373	
D 853-77	Panel		366	
DS 853-77	Panel		-	
D 853-81	Rubber		331-344	
DS 853-81	Rubber		331-332-344	
DS 853-84	Rubber		315	
DS 853-87	Panel		-	
DS 853-87a	Panel		-	
DS 853-90	Covering		311	
DS 853-99	Panel		315	
D 853-105	Beading	VI	359	
D 853-106	Beading	VI	-	
D 853-107	Lining	VI	-	
D 853-108	Lining	VI	-	
D 853-110	Panel	VI	-	
DS 853-111	Plate		366	
DS 854-3c	Embellisher		306	
D 854-4	Chevron		362	
DS 854-30	Finisher	VI	360	
DS 854-31	Tread plate	VI	-	
DS 854-31a	Tread plate	VI	-	
DS 854-32	Panel	VI	-	
DS 854-32a	Panel	VI	-	
DS 854-33	Moulding	VI	-	
DS 854-33a	Moulding	VI	-	
DS 854-34	Lining	VI	-	
DS 854-34a	Lining	VI	-	
DS 854-35	Block	VI	332	
DS 854-35a	Block	VI	-	
DS 854-38	Cover joint	VI	386	
DS 854-39	Finisher	VI	-	
DS 854-39a	Finisher	VI	-	
DS 854-40b	Moulding	VI	360	
DS 854-40c	Moulding	VI	-	

NUMBER	DESIGNATION	Section	PAGE No.	REMARKS
DS 854-41b	Moulding	VI	360	
DS 854-41c	Moulding	VI	-	
DS 854-42b	Moulding	VI	327-328	
DS 854-42c	Moulding	VI	-	
DS 854-43	Moulding	VI	332	
DS 854-43a	Moulding	VI	-	
DS 854-44	Moulding	VI	360	
DS 854-44a	Moulding	VI	-	
DS 854-45b	Moulding	VI	327-328	
DS 854-45c	Moulding	VI	-	
DS 854-46	Finisher	VI	339	
DS 854-46a	Finisher	VI	-	
DS 854-47	Finisher	VI	-	
DS 854-47a	Finisher	VI	-	
D 854-56	Rod	VI	359	
D 854-57	Rod	VI	-	
DS 854-72	Buffer		306	
DS 854-73	Plate		339	
DS 854-77	Washer		362	
DS 854-78	Buffer		306	
D 854-81	Grille	VI	359	
DS 854-81	Finisher		311	
DS 854-81a	Finisher		-	
DS 854-82	Finisher		339	
DS 854-82a	Finisher		-	
D 854-83	Finisher		-	
D 854-83a	Finisher		-	
D 854-83b	Finisher		-	
D 854-83c	Finisher		-	
DM 854-83	Finisher		-	
DM 854-83a	Finisher		-	
DS 854-83	Finisher		-	
DS 854-83a	Finisher		-	
DS 854-84	Finisher		-	
DS 854-84a	Finisher		-	
DS 854-84d	Finisher		-	
DS 854-84e	Finisher		-	
DS 854-85b	Edging		-	
DS 854-90a	Spring		306	
DS 854-91a	Cover joint		339	
DS 854-93b	Edging		-	
DS 854-93c	Edging		-	
DS 854-94	Edging		-	
DS 854-94a	Edging		-	
DS 854-94b	Edging		-	
DS 854-94c	Edging		-	
D 854-95	Beading	VI	359-360	
D 854-96	Beading	VI	-	
D 861-05	Catch		335	

NUMBER	DESIGNATION	Section	PAGE No.	REMARKS
D 861-5	Lock	VI	347	
D 861-7	Lock	VI	-	
D 861-7a	Lock	VI	-	
DS 861-8	Handle		-	
DS 861-8a	Handle		-	
D 861-9	Lock	VI	-	
DS 861-13b	Set of barrels	VI	347-362	
D 861-16	Spring	VI	347	
DS 861-18b	Button	VI	347-362	
DS 861-19a	Button		347	
DS 861-21	Spring		347-362	
D 861-22	Bolt		362	
D 861-23	Locking plate		347-362	
D 861-24	Handle		347	
D 861-24a	Handle		-	
DS 861-33	Circlip	VI	347-362	
D 861-34	Spring		362	
DS 861-35b	Barrel	VI	347-362	
D 861-36	Bolt		335	
D 861-37	Lock		-	
D 861-37a	Lock		-	
D 861-38	Control		-	
DS 861-43	Barrel	VI	45-50-54- 220-223-227	
D 861-51	Washer		362	
D 861-53	Pin		-	
D 861-57	Striking plate		-	
DS 861-59b	Guide	VI	-	
D 861-62	Pin		347	
D 861-63	Spring		-	
D 861-70	Rod		-	
D 861-74	Washer		-	
DS 861-76	Handle	VI	-	
DS 861-76a	Handle	VI	-	
D 861-79b	Striking plate	VI	-	
D 861-79c	Striking plate	VI	-	
D 861-84	Washer	VI	-	
D 861-98	Screw		-	
D 861-98a	Screw		-	
D 861-98b	Screw		362	
D 861-100	Spring	VI	347	
D 861-101	Nut		283-347-362	
D 861-102	Bolt	VI	347-362	
DS 861-102a	Bolt	VI	-	
D 861-104	Lockwasher		362	
D 861-105	Nut		-	
D 861-107	Housing		-	
D 861-109	Plate		-	
D 861-110	Stop		-	

NUMBER	DESIGNATION	Section	PAGE No.	REMARKS
DS 861-112	Grommet		362	
D 861-116	Plate	VI	347	
D 861-117a	Tongue		-	
D 861-118	Washer	VI	-	
D 861-119	Screw		-	
D 861-120	Washer	VI	-	
D 861-121	Escutcheon		-	
D 861-122	Cup		335	
D 861-123	Spring		-	
DS 861-129	Pipe	VI	362	
DS 861-132	Cup	VI	347-362	
D 861-136	Spring	VI	335-378	
D 861-149	Plate		347	
D 861-150	Lever		335	
D 861-151	Cable	VI	-	
D 861-154	Plate		-	
D 861-155	Plate		-	
D 861-157	Sheath	VI	220-224-228	
DS 861-157a	Sheath	VI	228	
D 861-158	Packing	VI	347	
D 861-158a	Packing	VI	-	
D 861-159	Sheath	VI	335	
D 861-162	Spring		-	
DS 861-165a	Control		-	
DS 861-166	Bush		-	
DM 861-167	Trunnion	VI	-	
DS 861-189	Plate		328	
D 912-4	Lever		374	
D 912-4a	Lever		374-377	
DM 912-4	Lever		377	
D 912-10	Knob	VI	374-377-378	
DS 912-62	Frame	VI	377-378	
D 912-66	Lining	VI	-	
D 912-78	Support		374	
D 912-79	Support		-	
D 912-80	Stop		-	
D 912-85	Spring		374-377	
DM 922-118	Support		-	
DM 922-118a	Support		-	
DM 922-119	Stop	VI	-	
DS 923-1	Lining		381	
DS 923-1a	Lining		-	
DS 923-2	Trimming		-	
DS 923-2a	Trimming		-	
DM 923-5c	Spring case		-	
DS 923-5	Spring case		-	
DS 923-10	Spring case		-	
DS 923-11	Trimming		-	
D 923-21	Squab	VI	-	

NUMBER	DESIGNATION	Section	PAGE No.	REMARKS
D 923-22	Cushion	VI	381	
D 923-90a	Bush	VI	-	
D 923-91	Distance piece		-	
D 923-92	Cup		-	
D 923-100	Plate	VI	-	
D 923-107	Lug	VI	-	
D 923-107a	Lug	VI	-	
D 923-120	Yoke	VI	-	
D 923-121	Stud	VI	-	
DM 923-128a	Hook		-	
DM 923-135a	Hook		-	
DS 932-011	Seat		377	
DS 932-011a	Seat		-	
DS 932-011b	Seat		378	
DS 932-011c	Seat		-	
DS 932-3	Trimming		381	
DS 932-3a	Trimming		-	
DS 932-7	Trimming		-	
DS 932-7a	Trimming		-	
DS 932-9a	Knob	VI	374	
DS 932-21	Panel	VI	377	
DS 932-24	Control	VI	-	
DS 932-24a	Control	VI	-	
DS 932-24b	Control	VI	378	
DS 932-24c	Control	VI	-	
DS 932-76b	Lining		374-377	
DS 932-76c	Lining		378	
DS 932-79a	Panel		377-378	
DS 932-81a	Pin		374	
DS 932-81b	Pin	VI	377-378	
DS 932-82	Pad	VI	374	
DS 932-82a	Pad	VI	377-378	
DS 932-84	Spring case		374	
DS 932-84a	Spring case		-	
DS 932-84c	Spring case		377	
DS 932-84d	Spring case		378	
DS 932-90	Spring case		374	
DS 932-90a	Spring case		377-378	
DS 932-99b	Casing	VI	374	
DS 932-99c	Casing	VI	-	
DS 932-118	Packing		374-377	
DS 932-119	Spring		377-378	
DS 932-119a	Spring		-	
DS 932-130	Ball pin	VI	-	
DS 932-140	Knob	VI	-	
DS 932-147	Lever		378	
DS 932-149	Cable	VI	-	
DS 932-150	Distance piece	VI	-	
DS 932-151	Tongue		-	

NUMBER	DESIGNATION	Section	PAGE No.	REMARKS
DS 932-152	Spring		378	
DS 932-153	Bracket		-	
DS 932-153a	Bracket		-	
DS 932-156	Stop		-	
D 941-1	Arm-rest	VI	382	
D 941-1a	Arm-rest	VI	-	
D 941-2	Spring case	VI	-	
D 941-2a	Spring case	VI	-	
DS 941-78	Trimming		381	
DS 941-82a	Arm-rest		-	
DS 941-91	Panel		-	
DS 942-73	Socket	VI	374-377-378	
DS 942-78	Headrest		-	
DS 942-94b	Headrest		386	
DS 942-94c	Headrest		-	
D 944-1	Handle	VI	359	
D 944-1a	Handle	VI	-	
D 944-98	Escutcheon	VI	-	
D 944-99	Escutcheon	VI	-	
D 961-08	Winder	VI	348-351-355-356	
D 961-08a	Winder	VI	-	
DS 961-08	Winder	VI	351-355-356	
D 961-08a	Winder	VI	-	
D 961-016	Winder	VI	359	
D 961-2	Glass	VI	-	
D 961-3a	Glass	VI	361	
DS 961-3a	Glass	VI	-	
DS 961-3c	Glass	VI	-	
DS 961-4	Glass	VI	351	
DS 961-4a	Glass	VI	348	
DS 961-4b	Glass	VI	355	
DS 961-4c	Glass	VI	351-356	
DS 961-4d	Glass	VI	359	
DS 961-4f	Glass	VI	-	
DS 961-6	Glass	VI	351	
DS 961-6a	Glass	VI	348	
DS 961-6b	Glass	VI	355	
DS 961-6c	Glass	VI	356	
DS 961-7	Glass		361	
DS 961-7b	Glass	VI	-	
DS 961-7d	Glass	VI	-	
DS 961-7e	Glass	VI	-	
D 961-8	Channel		348	
D 961-8a	Channel		-	
DS 961-8	Channel		351	
DS 961-8a	Channel		-	
DS 961-8b	Channel		355-356	
DS 961-8c	Channel		-	
D 961-9	Channel		348	

NUMBER	DESIGNATION	Section	PAGE No.	REMARKS
DS 961-9	Channel		351	
DS 961-9a	Channel		-	
DS 961-9b	Channel		355-356	
DS 961-9c	Channel		-	
DM 961-17	Rubber		361	
DW 961-17	Rubber		-	
D 961-19	Sealing strip	VI	348	
D 961-19a	Sealing strip	VI	-	
DS 961-19	Sealing strip	VI	351-355-356	
DS 961-19a	Sealing strip	VI	-	
DS 961-23	Handle		348-351-355	
DW 961-23	Handle		351-355-356	
D 961-26	Escutcheon		348-351-355-356	
D 961-27	Rubber		361	
D 961-29	Rubber		-	
DS 961-29	Rubber		-	
DS 961-30b	Sealing strip		348-351-355-356	
DS 961-30c	Sealing strip	VI	359	
DS 961-30d	Sealing strip	VI	-	
DS 961-31c	Sealing strip		348-351-355-356	
D 961-36	Handle	VI	359	
DS 961-40	Rubber	VI	360	
DS 961-40a	Rubber	VI	-	
DS 961-41	Rubber	VI	-	
DS 961-41a	Rubber	VI	-	
D 961-48	Wiper	VI	359	
DS 961-48	Sealing strip	VI	-	
DS 961-48a	Sealing strip	VI	-	
D 961-49	Channel	VI	-	
D 961-53	Surround		340	
DS 961-56	Pressure pad		361	
DS 961-57	Runner		351-356	
DS 961-57a	Runner		-	
DS 961-57b	Runner		355	
DS 961-57c	Runner		-	
D 961-59	Support		361	
DS 961-59	Support		-	
DS 961-59a	Support		-	
D 961-63	Reinforcement		-	
D 961-67	Washer	VI	348-351-355-356	
D 961-70	Stop		348	
D 961-71	Stop		-	
D 961-74	Rubber		-	
DS 961-74	Rubber		351-355	
DS 961-74b	Rubber		351-356	
D 961-75	Surround		311-315-340	
D 961-75a	Surround		-	
DS 961-79	Channel	VI	359	
DS 961-79a	Channel	VI	-	

NUMBER	DESIGNATION	Section	PAGE No.	REMARKS
D 961-80	Plug		311-315-344	
D 961-81	Runner		348	
D 961-81a	Runner		-	
DS 961-81	Runner		351-356	
DS 961-81a	Runner		-	
DS 961-81b	Runner		355	
DS 961-81c	Runner		-	
D 961-83	Sealing	VI	359	
D 961-95	Plug		344	
D 961-98	Rubber	VI	360	
D 961-100	Escutcheon	VI	359	
D 961-112	Lockwasher	VI	348-351-355-356	
D 961-113	Slide	VI	359	
D 961-115	Reinforcement		340	
DS 961-118	Packing		351-355	
D 961-123	Cup		348-351-355-356	
D 961-124	Spring		351-355-356	
D 961-133	Pressure pad		361	
D 961-133a	Pressure pad		-	
DS 961-133	Pressure pad		-	
DS 961-133a	Pressure pad		-	
DS 961-134	Rubber		-	
DS 961-135	Stop	VI	348-351-355-356	
DS 961-136	Rubber		361	
D 961-137	Pressure pad	VI	348	
D 961-137a	Pressure pad		-	
DS 961-146	Rubber		361	
D 961-147	Reinforcement		340	
D 961-150	Pressure pad		361	
DS 961-150	Pressure pad		-	
DS 961-151	Rubber		-	
DS 961-161b	Surround		-	
DS 961-163	Pressure pad	VI	-	
DS 961-175	Slide	VI	351	
DS 961-175a	Slide	VI	-	
DS 961-175b	Slide	VI	355	
DS 961-175c	Slide	VI	-	
DS 961-175d	Slide	VI	351-356	
DS 961-175e	Slide	VI	-	
D 961-179	Spring	VI	359	
DS 961-180	Protector	VI	351-355-356	
DS 961-184	Screw		361	
DS 961-185	Washer	VI	-	
DS 961-189	Reinforcement		311-315-361	
DS 971-38	Handle	VI	386	
DS 971-39	Clamp	VI	-	
DS 971-39a	Clamp	VI	-	
DS 971-49	Spindle	VI	-	
DS 971-50	Spring	VI	-	

NUMBER	DESIGNATION	Section	PAGE No.	REMARKS
DS 971-54	Spring	VI	386	
DS 971-56	Screw	VI	-	
DS 971-81	Rubber strip	VI	-	
DS 971-81a	Rubber strip	VI	-	
DS 972-01	Hood	VI	-	
DS 972-3	Cover	VI	-	
D 981-1a	Carpet	-	-	
DM 981-1v	Carpet	-	-	
DS 981-1c	Carpet	-	-	
DS 981-1g	Carpet	-	-	
DS 981-2a	Carpet	-	-	
DS 981-2e	Carpet	-	-	
D 981-7	Carpet	VI	-	
DS 981-7	Carpet	VI	-	
DS 981-7a	Carpet	-	-	
DS 981-7b	Carpet	VI	-	
D 981-8	Carpet	VI	-	
DS 981-8	Carpet	VI	-	
DS 981-8a	Carpet	VI	-	
DS 981-48	Wiring	-	385	
DS 981-49	Wiring	VI	360	
DS 981-67	Wiring	-	385	
DS 981-67a	Wiring	-	-	
DS 981-67b	Wiring	-	-	
DS 981-67c	Wiring	-	-	
DF 981-70	Lining	-	-	
DM 981-78c	Lining	-	-	
DS 981-78a	Lining	-	-	
DS 981-78b	Lining	-	-	
DM 981-81	Lining	-	-	
DM 981-81b	Lining	-	-	
DS 981-81	Lining	-	-	
DM 981-83h	Lining	-	-	
DS 981-83m	Lining	-	-	
DM 981-85	Lining	-	-	
D 981-90	Plate	-	386	
DS 981-90	Plate	-	-	
DS 981-115	Clip	-	-	
DM 981-117	Frame	-	344-385	
DS 981-117a	Frame	-	-	
DM 981-118	Frame	-	-	
DS 981-118a	Frame	-	-	
DS 981-127	Frame	VI	385	
DS 981-127a	Lining	-	-	
DS 981-129	Lining	-	-	
DS 981-129a	Lining	-	-	
D 981-133	Lining	VI	-	
D 981-133a	Lining	VI	-	
D 981-134	Lining	VI	-	

NUMBER	DESIGNATION	Section	PAGE No.	REMARKS
D 981-134a	Lining	VI	385	
DS 981-138	Clip	VI	386	
DS 981-146	Plate	-	-	
DS 982-46	Lining	-	335	
DS 982-46a	Lining	-	-	
DS 982-46b	Lining	-	-	
DS 982-46d	Lining	-	-	
DS 982-54b	Lining	-	385	
DS 982-58b	Lining	-	385-386	
DS 982-64	Lining	-	335	
DS 982-68b	Lining	VI	323-324	
DS 982-68c	Lining	VI	323-327	
DS 982-69b	Lining	VI	-	
DS 982-69c	Lining	VI	-	
DS 982-81b	Lining	-	385-386	
DS 982-109	Lining	-	327	
DS 982-109a	Lining	-	-	
DW 982-109	Lining	-	-	
DS 983-1f	Panel	-	382	
DS 983-1g	Panel	-	-	
DS 983-1h	Panel	-	-	
DS 983-1k	Panel	-	-	
DS 983-1n	Panel	-	-	
DS 983-1p	Panel	-	-	
DS 983-2f	Panel	-	-	
DS 983-2g	Panel	-	-	
DS 983-10	Finishing	VI	-	
DS 983-10a	Finishing	VI	-	
DS 983-11	Finishing	VI	-	
DS 983-11a	Finishing	VI	-	
DS 983-53	Trimming	-	-	
DS 983-53a	Trimming	-	-	
DS 983-58	Trimming	-	-	
DS 983-58a	Trimming	-	-	
D 983-59	Panel	-	-	
D 983-71	Panel	-	-	
D 983-71a	Panel	-	-	
D 983-75	Panel	-	-	
DS 983-75	Panel	-	-	
DS 983-81	Plug	VI	-	
DS 984-3	Sealing strip	VI	344-366-370	
DS 984-3b	Sealing strip	VI	-	
D 984-100	Set of covers	-	381	
D 984-100a	Set of covers	-	-	
DS 985-73	Lining	-	385	
DS 985-73c	Lining	-	-	
DS 985-81	Covering	VI	-	
DM 984-86	Lining	-	-	
DS 985-86	Lining	-	-	

NUMBER	DESIGNATION	Section	PAGE No.	REMARKS
DS 985-86a	Lining		385	
DF 985-98	Lining		-	
DS 985-98b	Lining		-	
DM 985-99j	Lining		-	
DS 985-99	Lining		-	
DS 985-99d	Lining		-	
D 986-95	Lining	VI	382	
D 986-95a	Lining	VI	-	
D 986-95d	Lining	VI	-	
D 986-95e	Lining	VI	-	
DS 986-97	Lining		385	
DS 986-99	Lining		-	
DM 987-1d	Lining		-	

NUMBER	DESIGNATION	Section	PAGE No.	REMARKS
D 987-2	Lining	VI	385	
DS 988-1b	Rubber	VI	-	
DS 988-1c	Rubber	VI	-	
DS 988-2d	Lining		-	
DS 988-2e	Lining		-	
DS 988-3a	Lining		-	
DS 988-3b	Lining		-	
DM 989-1	Lining		-	
DS 989-93	Lining		-	
DS 989-93a	Lining		-	
DS 989-98	Lining		-	
DS 989-99	Lining		-	

SUPPLEMENTARY INDEX

NUMBER	DESIGNATION	Section	PAGE No.	REMARKS	NUMBER	DESIGNATION	Section	PAGE No.	REMARKS
4-S	Screw	R. III	295		362-S	Circlip	R. III	151-156	
62-S	Screw	R. III	45-75-183-251		480-S	Screw	R. III	151-156-168-192	
63-S	Screw	R. III	13-29-45		481-S	Screw	R. III	13-347	
64-S	Screw	R. III	108-196-200-336-366		482-S	Screw	R. III	2-9-13-22-111-159-160-168-175-179-235-239-304-315-336	
65-S	Screw	R. III	29-45-50-267		483-S	Screw	R. III	2-9-13-14-21-22-29-46-50-54-57-69-112-164-175-183-188-256-263-264-304-306-323-327	
76-S 30	Screw	R. III	34		843-S 30	Screw	R. III	13-37-38-65-66-188-263-264-288	
79-S	Screw	R. VI	45		484-S	Screw	R. III	37-38-61-69-112-115-164-168-344	
80-S	Screw	R. VI	45		485-S	Screw	R. III	57-100-115-139-168-187-188	
83-S	Screw	R. III	168		485-S 30	Screw	R. III	41-132-220-228-304-361	
104-S 30	Screw	R. III	251		486-S	Screw	R. III	2-14-37-41-75-112-119	
122-S	Screw	R. III	212-267-366		486-S 30	Screw	R. III	2-38-75-256-259	
123-S	Screw	R. III	29-65-212-331-332-336-366		487-S	Screw	R. III	38-61-62-104-147-156-175	
124-S 30	Screw	R. III	34-119-132-215-267-283-284-288-292-296-323-327-344		487-S 30	Screw	R. III	25-42-256-340	
125-S	Screw	R. III	45-50-151-156-361		488-S	Screw	R. III	42-147	
125-S 30	Screw	R. III	132-151-156-175-179-196-331-332-366		489-S	Screw	R. III	2-147-168-175-179	
126-S 30	Screw	R. III	212-235-236-239-240		491-S	Screw	R. III	37	
127-S	Screw	R. III	212-215-216		493-S	Screw	R. III	75	
129-S	Screw	R. III	100-132-135-175		494-S	Screw	R. III	75-275-280	
131-S	Screw	R. III	50-243-244-247-248		495-S	Screw	R. III	13-37	
124-S 30	Screw	R. III	34		495-S 30	Screw	R. III	377-378	
135-S	Screw	R. III	34-50-168-381		497-S	Screw	R. III	2-38-188	
155-S 30	Screw	R. III	231-263		518-S 30	Screw	R. III	22-25	
156-S	Screw	R. III	259-264		520-S	Screw	R. III	128	
183-S	Screw	R. III	128		521-S	Screw	R. III	22-323-327	
185-S	Screw	R. III	283-295-366		522-S	Screw	R. III	124	
189-S	Screw	R. III	34						
190-S	Screw	R. III	34						
295-S	Screw	R. III	315						
295-S 30	Screw	R. III	30-41-156-216						
297-S	Screw	R. III	50-54						
299-S	Screw	R. III	108						
304-S	Screw	R. III	311						
305-S	Screw	R. III	104-108						
306-S 30	Screw	R. III	41-255						
308-S	Screw	R. III	204						
308-S 30	Screw	R. III	75-251						
321-S	Screw	R. III	108-192						

NUMBER	DESIGNATION	Section	PAGE No.	REMARKS
530-S 30	Screw	R. III	21-22-37-38- 220-224-328	
532-S	Screw	R. III	124-256	
535-S	Screw	R. III	128	
538-S	Screw	R. III	235-236-239- 240-283-327	
538-S 30	Screw	R. III	259	
580-S	Screw	R. III	75	
588-S	Screw	R. III	108-377	
589-S	Screw	R. III	75	
590-S	Screw	R. III	75	
596-S	Screw	R. III	65-66	
600-S	Screw	R. III	119	
610-S 30	Screw	R. III	228	
635-S	Stud	R. III	13-61-62	
637-S	Stud	R. III	13	
638-S	Stud		61	
651-S	Stud	R. III	96	
665-S	Screw	R. III	25	
667-S	Screw	R. III	75	
669-S	Screw	R. III	75	
671-S	Screw	R. III	75	
769-S	Screw	R. III	75	
842-S	Screw	R. III	168	
844-S	Screw	R. III	25	
945-S	Screw	R. III	75	
1. 020-S	Screw	R. III	256-259	
1. 061-S	Grommet	R. III	287-292	
1. 062-S	Grommet	R. III	327	
1. 064-S	Grommet	R. III	204	
1. 065-S	Grommet	R. III	204	
1. 066-S	Grommet	R. III	204	
1. 381-S	Union	R. III	13	
1. 561-S	Union	R. III	13	
1. 062-S	Eyelet	R. III	34	
1. 065-S	Eyelet	R. III	34	
1. 797-S	Joint	R. VI	34	
1. 972-S	Rivet	R. VI	66	
2. 217-S	Washer	R. III	65-66-119-344	
2. 262-S	Washer	R. III	305	
2. 263-S	Screw	R. VI	315-320	
2. 269-S	Nut	R. III	29-30-46-50- 108-184-196- 200-212-232- 267-305	
2. 270-S	Screw	R. VI	271-275-280- 327	
2. 281-S	Screw	R. VI	305	
2. 284-S	Washer	R. VI	46	

NUMBER	DESIGNATION	Section	PAGE No.	REMARKS
2. 300-S	Nut	R. III	386-387	
2. 301-S	Nut	R. III	25-151-156	
2. 312-S	Washer	R. III	2-34-65-66-69- 132-135-220- 223-259-264- 323-327-332- 351-355-356- 361-362-370	
2. 317-S	Nut	R. III	124	
2. 319-S	Nut	R. III	13-30-34-38- 46-50-66-95- 100-104-108- 143-171-175- 187-196-211- 212-215-220- 223-243-244- 247-248-251- 283-331-362- 373-378	
2. 320-S	Nut	R. III	69-96-132-135- 216-305-315- 370	
2. 323-S	Nut	R. III	2-132-151-156- 179-196-200- 256-259-260- 263-264	
2. 324-S	Nut	R. III	50-54	
2. 334-S	Washer	R. VI	34-46-251-315- 323-327-336- 348-365-366- 370-373	
2. 335-S	Washer	R. VI	347	
2. 338-S	Screw	R. III	332	
2. 363-S	Washer	R. III	42-311	
2. 368-S	Nut	R. III	147-185	
2. 369-S	Nut	R. III	29-30-95-100- 104-108-196- 200-216-235- 236-240-243- 244	
2. 370-S	Nut	R. III	61-62-128-328	
2. 372-S	Nut	R. III	112-115-160- 164	
2. 388-S	Washer	R. VI	347	
2. 389-S	Washer	R. VI	235-236-239- 240-328	
2. 406-S	Screw	R. III	336	
2. 431-S	Rivet	R. VI	66	
2. 433-S	Nut	R. III	255	

NUMBER	DESIGNATION	Section	PAGE No.	REMARKS
2.459-S	Joint	R. VI	79	
2.462-S	Joint	R. VI	34	
2.466-S	Joint	R. VI	283	
2.470-S	Joint	R. VI	2	
2.471-S	Screw	R. VI	327	
2.475-S	Joint	R. VI	75	
2.476-S	Joint	R. VI	13	
2.478-S	Joint	R. VI	5-75	
2.482-S	Washer	R. III	9A-22-42-46- 65-66-220-224- 228-256-259- 260-263-264- 315-336-340- 348-351-355- 356-378	
2.491-S	Nut	R. III	13-25-29-30- 37-38-42-75- 96-104-111- 112-115-132- 135-147-151- 156-164-171- 175-180-183- 185-187-188- 220-224-228- 235-236-239- 240-243-244- 247-248-256- 264-295-299- 332-336-340- 361-365-377- 378	
2.492-S	Screw	R. VI	374	
2.493-S	Nut	R. III	5-9-13-14-61- 62-84-91-100- 112-115-175- 180-187-188- 336-340-348- 351-355-356- 365	
2.494-S	Nut	R. III	299	
2.496-S	Nut		62	
2.497-S	Nut	R. VI	235	
2.499-S	Screw	R. VI	272-275-280- 340-382	
2.502-S 30	Screw	R. VI	275-370	
2.503-S	Nut	R. III	14-57-259-260- 263-264-304	
2.504-S	Nut	R. III	183	

NUMBER	DESIGNATION	Section	PAGE No.	REMARKS
2.508-S	Screw	R. VI	366-374-377- 378	
2.511-S	Screw	R. VI	287	
2.514-S	Washer	R. VI	9A-50-235-236- 239-240-315- 336-340-348- 351-355-356	
2.516-S 30	Screw	R. VI	259-264-347	
2.524-S	Clip	R. III	34	
2.548-S 30	Screw	R. VI	280-340-348- 370	
2.551-S	Nut	R. III	108-244-248	
2.553-S	Nut	R. III	57	
2.555-S	Collar	R. VI	9A	
2.557-S	Clip	R. VI	65-66	
2.559-S	Clip	R. VI	13-65-66-323	
2.581-S	Screw	R. VI	344	
2.582-S	Screw	R. VI	311-316-366	
2.602-S	Washer	R. III	42	
2.610-S	Screw	R. VI	351-355-356- 377-378	
2.611-S	Nut	R. III	14	
2.652-S	Screw	R. VI	288-365	
2.653-S	Screw	R. VI	366	
2.654-S	Screw	R. VI	366	
2.659-S	Screw	R. III	100-180-259- 264-275-280- 332-336-373	
2.662-S	Washer	R. III	387	
2.664-S	Screw	R. VI	283-366	
2.665-S	Screw	R. VI	311-331	
2.668-S	Screw	R. VI	175-220-223- 263-267-275- 280-287-288- 292	
2.669-S	Nut	R. III	256-259	
2.673-S	Nut	R. III	239	
2.694-S	Washer	R. VI	235-239-243- 244-247-248- 387	
2.707-S	Ball	R. VI	79-132-135-171	
2.709-S	Ball	R. VI	100-111	
2.713-S	Ball	R. VI	91-100	
2.714-S	Ball	R. VI	79-171	
2.741-S	Screw	R. VI	151-156-183- 184-323-328- 331-332	

NUMBER	DESIGNATION	Section	PAGE No.	REMARKS
2.746-S	Screw	R. VI	14-156-256- 259-260-288- 299-344-386	
2.756-S	Screw	R. VI	275-280-305- 320-336-373	
2.813-S	Washer	R. VI	25-236-240	
2.868-S	Clip	R. VI	283	
s. 876-S	Clip	R. VI	275-280	
2.884-S	Clip	R. VI	14-65-66	
2.985-S	Clip	R. VI	275-280	
2.989-S	Clip	R. VI	13-65-171-271- 275-280	
2.994-S	Clip	R. VI	9A-275	
3.016-S	Clip	R. VI	280	
3.230-S	Washer	R. VI	344	
3.232-S	Washer	R. III	366	
3.234-S	Washer	R. III	348-351-355- 356-365-366	
3.298-S	Bush	R. VI	61-62	
4.102-S	Ball	R. VI	147	
4.104-S	Ball	R. VI	171	
4.106-S	Ball	R. VI	176-180	
4.108-S	Ball	R. VI	180	
4.112-S	Ball	R. VI	183	
4.113-S	Ball	R. VI	171	
4.114-S	Ball	R. VI	100	
4.151-S	Key	R. III	164	
4.153-S	Key	R. VI	61-62	
4.154-S	Key	R. VI	235-236-239- 243-244-247- 248	
4.737-S	Nipple	R. VI	21-61-119-124- 176	
4.902-S	Ring seal	R. VI	95	
4.903-S	Ring seal	R. VI	100-171	
4.905-S	Ring seal	R. VI	100-104-160- 164	
4.907-S	Ring seal	R. VI	21-100	
4.912-S	Ring seal	R. VI	192-196	
4.917-S	Ring seal	R. VI	200	
4.918-S	Ring seal	R. VI	104	
4.922-S	Ring seal	R. VI	96-100-104- 108-143-192- 196-200-204	
4.924-S	Ring seal	R. VI	75	
4.925-S	Ring seal	R. VI	75	
4.929-S	Ring seal	R. VI	29-104-164	
4.930-S	Ring seal	R. VI	164	
4.932-S	Ring seal	R. VI	79	

NUMBER	DESIGNATION	Section	PAGE No.	REMARKS
4.938-S	Ring seal	R. VI	100	
4.960-S	Ring seal	R. III	171	
5.400-S	Nut	R. III	147	
5.404-S	Nut	R. VI	128	

NUMBER	DESIGNATION	Section	PAGE No.	REMARKS
242	Packet	R. VI	1	
1.352	Washer	R. I	256-263-264	
2.659	Screw	R. III	196	
3.008	Washer	R. II	184	
2.338	Screw	R. III	38-66-151	
2.659	Screw	R. III	30-34-46-65- 66-104-111- 327-331-344- 305	
3.732	Cable		300	
3.733	Cable		300	
6.278	Washer	R. IV	332-348-351- 355-356	
39.827	Washer	R. IV	176-340	
10.378	Key	R. I	57	
10.530	Bearing	R. VI	119	
12.685	Screw	R. I	57	
18.372	Screw	R. III	331-332	
70.029	Button	R. VI	386	
88.105	Key	R. II	18-21	
88.294	Nut	R. II	243-244-247- 248	
88.523	Circlip	R. I	5	
88.591	Screw	R. III	100	
88.613	Washer	R. III	42-299-365	
88.616	Washer	R. III	320	
88.625	Washer	R. I	9	
88.629	Washer	R. I	112-115	
88.642	Washer	R. I	75-79	
88.764	Washer	R. IV	320	
88.795	Plate	R. I	5-21	
88.931	Plug	R. I	5	
88.940	Dowel	R. I	5	
88.963	Screw	R. I	57	
89.114	Screw	R. III	275-280-283- 336	
89.149	Screw	R. III	46-211-336	
89.156	Screw	R. III	171-211	
89.475	Bearing	R. VI	21	
89.500	Bearing	R. VI	235-239	
89.591	Screw	R. III	46-50-111-336	
89.951	Bearing	R. VI	61	
117.290	Plug	R. I	5	
133.035	Stop	R. IV	365	
232.932	Grommet	R. VI	311-315	
233.400	Plug	R. IV	275-280-323- 327-365	
295.502	Buffer	R. VI	344	
309.637	Plug	R. III	315	

NUMBER	DESIGNATION	Section	PAGE No.	REMARKS
355.228	Cap	R. VI	171	
335.297	Collar	R. II	171	
335.874	Joint	R. II	171	
335.876	Cap	R. VI	171	
392.630	Balance weight	R. VI	306	
392.631	Balance weight	R. VI	306	
392.632	Spring	R. VI	306	
408.451	Bearing	R. VI	92	
431.442	Clamp	R. II	128	
438.157	Cap	R. II	160	
438.307	Nut	R. II	159	
438.314	Bush	R. VI	159	
438.320	Washer	R. II	255	
438.508	Pin	R. II	159	
438.510	Bush	R. II	159	
438.511	Plate	R. II	159	
438.516	Cam	R. II	159	
438.586	Pin	R. II	159	
438.606	Washer	R. II	159	
438.607	Washer	R. II	159	
438.608	Washer	R. II	159	
438.630	Washer	R. II	159	
441.332	Spring	R. II	159	
441.333	Guide pin	R. II	159	
450.234	Cocknut	R. I	57	
451.343	Nut	R. I	21	
451.374	Gasket	R. VI	5	
451.379	Lubricator	R. I	5	
451.397/02	Cotter	R. I	9	
451.415	Nut	R. I	61-62	
451.434	Screw	R. I	57	
451.504	Plug	R. I	9	
451.513	Tappet	R. I	21	
451.672	Union	R. I	57	
451.786	Locknut	R. I	57	
452.394/02	Half cotter	R. I	61	
452.685	Cover	R. I	57	
452.686	Filter	R. I	57	
452.719	Filter	R. I	57	
452.722	Distance piece	R. I	57	
452.723	Plate	R. I	57	
453.117	Gasket	R. VI	57	
453.173	Housing	R. III	46-50-54	
456.399	Ring seal	R. VI	62	
456.998	Ring seal	R. I	9	
457.182	Cup	R. I	9	
457.184/02	Cotter	R. I	9	
457.208	Screw	R. III	46-50	
457.220	Gasket	R. VI	57	

NUMBER	DESIGNATION	Section	PAGE No.	REMARKS
457. 281	Cap	R. VI	9	
457. 287	Cap	R. VI	9	
457. 295	Element	R. VI	9	
457. 298	Joint	R. VI	9	
457. 301	Nut	R. I	9	
457. 318	Deflector	R. I	21	
457. 347	Pinion	R. I	21	
457. 371	Spindle		57	
457. 372/02	Cotter	R. I	57	
457. 373	Pinion	R. I	57	
457. 374	Pinion	R. I	57	
457. 375	Spindle	R. I	57	
457. 376	Base	R. I	57	
457. 380	Bush	R. I	57	
457. 381	Piston	R. I	57	
457. 383	Housing	R. I	57	
457. 386	Pinion	R. I	57	
457. 456	Ring	R. I	18	
457. 468	Plate	R. I	9	
457. 469	Joint	R. VI	9	
457. 973	Casing	R. I	57	
460. 644	Circlip	R. I	18	
461. 113	Screw	R. I	9	
461. 125	Washer	R. I	18	
461. 143	Plate	R. I	5-21	
461. 178	Pinion	R. I	18	
461. 256	Chain	R. VI	21	
461. 492	Washer	R. I	21	
461. 493	Nut	R. I	21	
461. 494	Nut	R. VI	18	
461. 495	Washer	R. I	18	
461. 698	Cocknut	R. I	9	
461. 751	Washer	R. I	18	
470. 424	Gasket	R. VI	5	
470. 705	Washer	R. I	57	
472. 394/02	Half cotter	R. I	62	
490. 708	Screw	R. I	75-176	
491. 041	Washer	R. VI	69	
491. 056	Nut	R. VI	69	
493. 081	Toggle	R. VI	69	
493. 108	Screw	R. I	75	
493. 114	Plate	R. VI	69	
493. 115	Screw	R. VI	69	
500. 367	Bearing	R. VI	84-92	
500. 614	Plunger	R. I	76-79	
500. 837	Bracket	R. I	75	
501. 002	Cap	R. I	84-91	
508. 093	Circlip	R. I	18-69	
508. 173	Dowel	R. VI	84	

NUMBER	DESIGNATION	Section	PAGE No.	REMARKS
508. 425	Spindle	R. I	92	
508. 426	Spindle	R. I	92	
508. 440	Screw	R. I	119	
543. 322	Bush	R. VI	188	
543. 335	Cotter	R. II	187	
550. 886	Joint	R. VI	171	
585. 698	Clip	R. III	66-275-280	
586. 877	Diaphragm	R. VI	34	
595. 022	Gasket	R. VI	34	
595. 157	Pipe	R. VI	34	
595. 386	Joint	R. VI	34	
611. 008	Plate	R. I	92	
611. 014	Washer	R. I	61-62	
611. 018	Washer	R. III	22	
612. 620	Seal	R. VI	124	
612. 621	Seal	R. VI	128	
612. 623	Sealing ring	R. VI	128	
613. 006	Plug	R. I	84	
613. 007	Washer	R. I	75	
613. 158	Cap	R. VI	386	
613. 159	Catch	R. VI	386	
614. 000	Clip	R. VI	143-176-180	
614. 001	Clip	R. VI	95-176-180	
614. 002	Clip	R. VI	119-212	
614. 003	Clip	R. VI	139	
614. 004	Clip	R. VI	119	
614. 007	Clip	R. VI	34-95-96-180- 196-204	
614. 009	Clip	R. VI	196	
614. 011	Clip	R. VI	180	
614. 015	Clip	R. VI	34	
614. 020	Clip	R. VI	271-275-280- 283	
614. 021	Nut	R. II	184	
614. 023	Clip	R. VI	9A	
614. 050	Clip	R. VI	280	
614. 201	Nut	R. II	79-183-187	
614. 203	Nut	R. III	256-263-264	
615. 015	Nut	R. III	25	
615. 016	Nut	R. I	69	
615. 018	Nut	R. II	183	
615. 020	Nut	R. II	212	
615. 021	Nut	R. VI	112-115	
615. 024	Nut	R. VI	344	
615. 025	Nut	R. III	25-236	
615. 028	Nut	R. VI	96	
615. 708	Nut	R. VI	366	

NUMBER	DESIGNATION	Section	PAGE No.	REMARKS
615.710	Nut	R. VI	151-156-288-311-331-332-370-373	
615.711	Nut	R. VI	227-235-239-284-370	
615.712	Nut	R. VI	288	
615.713	Nut	R. VI	256-259-299	
615.714	Nut	R. VI	176-287-292	
615.715	Nut	R. VI	287-292-352-355-356	
615.719	Nut	R. VI	320	
615.720	Nut	R. VI	336	
615.725	Nut	R. VI	66-156-370-373	
615.730	Nut	R. VI	327	
615.732	Nut	R. VI	42-311	
615.745	Nut	R. VI	156	
615.748	Nut	R. VI	272	
615.749	Nut	R. VI	147	
615.750	Nut	R. VI	139	
615.751	Nut	R. VI	147	
615.752	Nut	R. VI	124	
615.753	Nut	R. VI	42	
616.000	Stud	R. I	13	
616.011	Stud	R. I	61	
616.013	Stud	R. I	104-108	
616.014	Stud	R. I	61-62	
616.023	Stud	R. I	75	
616.026	Stud	R. I	108	
616.028	Stud	R. I	100-104-108	
616.036	Stud	R. I	9	
616.037	Stud	R. I	9	
616.038	Stud	R. I	9	
616.039	Stud	R. I	9	
616.040	Stud	R. I	9	
616.049	Stud	R. I	104	
616.051	Stud	R. I	9	
616.057	Stud	R. I	9	
616.058	Stud	R. I	29-30	
616.059	Stud	R. I	104	
616.503	Stud	R. I	9	
617.004	Pin	R. IV	348-352-355-356	
617.005	Pin	R. VI	18	
617.254	Greaser	R. VI	69	
617.800	Joint	R. I	104	
618.700	Rivet	R. III	111-220-223-227	
618.745	Rivet	R. VI	280-328	
619.013	Washer	R. VI	251	
619.022	Washer	R. III	264-311-331-332	

NUMBER	DESIGNATION	Section	PAGE No.	REMARKS
619.024	Washer	R. II	22-164-259	
619.047	Joint	R. VI	13-62	
619.051	Washer	R. VI	160	
619.052	Washer	R. VI	159	
619.066	Washer	R. IV	348-352-355-356	
619.067	Washer	R. IV	323-327-328-348-352-355-356	
619.068	Washer	R. IV	348-352-355-356	
619.069	Washer	R. II	171-348-352-355-356	
619.073	Bearing	R. VI	164	
619.079	Washer	R. IV	331-365	
619.083	Washer	R. IV	336	
619.089	Washer	R. III	275-280-283-373	
619.092	Washer	R. I	29-30	
619.096	Washer	R. II	151-156	
619.097	Washer	R. II	151	
619.105	Washer	R. III	37-38	
619.106	Washer	R. III	22-220-224	
619.109	Washer	R. II	212	
619.110	Washer	R. II	212	
619.111	Washer	R. VI	212	
619.122	Washer	R. III	66-256-259-370-373	
619.133	Washer	R. IV	42-260-315-370-378	
619.503	Washer	R. VI	370-373	
619.634	Eyelet	R. VI	387	
619.754	Clip	R. VI	340	
619.755	Clip	R. VI	231-323-327-328-336	
619.756	Clip	R. VI	366	
619.758	Clip	R. VI	204	
619.760	Clip	R. VI	365	
619.762	Clip	R. VI	382	
619.763	Clip	R. VI	348-352-355-356	
619.764	Clip	R. VI	327-378	
619.766	Clip	R. VI	382	
619.770	Circlip	R. VI	251	
619.775	Clip	R. VI	344	
619.778	Clip	R. VI	382	
619.779	Clip	R. IV	394	
619.784	Clip	R. VI	352-355-356	
619.785	Clip	R. VI	340	

NUMBER	DESIGNATION	Section	PAGE No.	REMARKS
619.793	Clip	R. VI	327	
619.799	Clip	R. VI	65-66	
619.817	Clip	R. VI	328	
619.811	Clip	R. VI	275-280	
620.047	Bearing	R. VI	84-91	
620.049	Bearing	R. VI	124	
620.050	Bearing.....	R. VI	124	
620.051	Cage	R. VI	124-128	
620.052	Cup	R. VI	124	
620.053	Bearing	R. VI	128	
620.061	Race	R. II	147	
620.066	Bearing	R. VI	151-156	
620.067	Bearing	R. VI	139	
620.068	Race	R. II	139	
620.070	Bearing	R. II	128	
620.072	Bearing	R. I	84	
620.077	Bearing	R. VI	132-135	
620.079	Bearing	R. II	128	
620.080	Bearing	R. I	84	
620.081	Cage	R. VI	84-91	
620.082	Cage	R. VI	84	
620.083	Cage	R. VI	84-91	
620.087	Cage	R. VI	84	
620.088	Bearing	R. I	84-91	
620.094	Cage	R. VI	91	
620.110	Bearing	R. VI	21	
620.111	Bearing	R. VI	18-62	
620.115	Bearing.....	R. VI	124	
620.121	Bush	R. II	139	
620.125	Cage	R. VI	84-91	
620.126	Bearing	R. VI	84-91	
620.252	Bearing	R. VI	84	
620.501	Ring	R. VI	18	
620.502	Circlip	R. VI	100	
620.503	Circlip	R. VI	84-91-156	
620.521	Circlip	R. VI	96	
620.523	Circlip	R. I	91	
620.524	Circlip	R. VI	91	
620.525	Circlip	R. VI	176	
621.027	Screw	R. III	22-37-38-65-66	
621.029	Screw	R. I	61-62	
621.035	Screw	R. IV	204	
621.037	Screw	R. II	124	
621.042	Screw	R. II	171	
621.045	Screw	R. II	176	
621.048	Screw	R. II	151-156-377-378	
621.050	Screw	R. IV	34-267-323-336-365	

NUMBER	DESIGNATION	Section	PAGE No.	REMARKS
621.052	Screw	R. III	69	
621.053	Screw	R. VI	29	
621.054	Screw	R. II	151-156	
621.055	Screw	R. I	104-111-192-348-352-355-356	
621.057	Screw	R. II	184	
621.058	Screw	R. IV	352-355-356	
621.061	Screw	R. III	267	
621.062	Screw	R. III	13-34-50-54-66-200-256-259-275-280-295-311-323-327-370	
621.070	Screw	R. I	29-96	
621.072	Screw	R. III	260-280	
621.076	Screw	R. II	119	
621.077	Screw	R. III	255	
621.089	Screw	R. VI	387	
621.092	Screw	R. I	57	
621.400	Screw	R. III	42	
621.505	Screw	R. VI	347	
621.506	Screw	R. IV	370-373	
621.509	Screw	R. VI	272	
621.511	Screw	R. VI	227-370-373	
621.512	Screw	R. VI	370	
621.951	Spanner	R. VI	306	
622.801	Screw	R. III	243-244-247-248	
624.001	Washer	R. VI	220-224-365-366	
624.028	Washer	R. III	255	
648.522	Pliers	R. VI	306	
650.137	Screwdriver	R. VI	306	
650.139	Spanner	R. VI	306	
650.147	Spanner	R. VI	306	
650.148	Spanner	R. VI	306	
650.232	Spanner	R. VI	306	
700.175	Oiler	R. VI	62	
701.226	Screw	R. VI	243-244-247-248	
701.316	Distance bush	R. VI	243-244	
701.325	Screw	R. III	243-244-247-248	
701.798	Sleeve	R. VI	243-244-247-248	
701.799	Pinion	R. VI	243-244-247-248	

NUMBER	DESIGNATION	Section	PAGE No.	REMARKS
701.800	Spring	R. VI	243-244-247-248	
701.801	Bush	R. VI	244-247-248	
701.802	Circlip	R. VI	243-244-247-248	
701.804	Sleeve	R. VI	243-244-247-248	
701.805	Spring	R. VI	243-244-247-248	
701.806	Circlip	R. VI	243-244	
701.828	Spring	R. VI	243-244	
701.829	Screw	R. VI	243-244-247-248	
701.830	Drive	R. VI	243-244-247-248	
701.831	Screw	R. VI	243-244-247-248	
701.836	Bearing plate	R. VI	243	
701.842	Spring	R. VI	243	
701.843	Brush holder	R. VI	243	
701.845	Bush	R. VI	243	
701.846	Bush	R. VI	243	
701.848	Circlip	R. VI	243-247	
701.849	Thrust washer	R. VI	243	
701.854	Bush	R. VI	244-248	
701.858	Bolt	R. VI	244	
701.861	Brush holder	R. VI	244-248	
702.281	Brush	R. VI	235	
702.283	Spring	R. VI	235	
702.285	Brush holder	R. VI	235	
702.288	End plate	R. VI	235	
702.295	Spring	R. VI	239	
702.301	Brush holder	R. VI	239	
702.320	Assembling rod	R. VI	243	
702.328	Brush	R. VI	239	
706.570	Bulb	R. VI	288-295	
706.604	Bulb	R. VI	288-291-295	
706.609	Bulb	R. VI	288-291-295	
706.616	Bulb	R. VI	220-288	
706.620	Bulb	R. VI	288-295	
706.639	Bulb	R. VI	227-288	
706.670	Bulb	R. VI	284-292	
706.699	Bulb	R. VI	295	
706.700	Bulb	R. VI	295	
706.701	Bulb	R. VI	296	
706.703	Bulb	R. VI	295	
706.704	Bulb	R. VI	291-296	
706.715	Bulb	R. VI	227	
706.717	Bulb	R. VI	287-292	

NUMBER	DESIGNATION	Section	PAGE No.	REMARKS
706.721	Bulb	R. VI	284-292	
706.722	Bulb	R. VI	223	
706.723	Bulb	R. VI	284	
706.724	Bulb	R. VI	284	
706.726	Bulb	R. VI	227-284-292	
706.727	Bulb	R. VI	284-292	
706.729	Bulb	R. VI	284-292	
706.730	Bulb	R. VI	295	
706.732	Bulb	R. VI	288	
706.734	Bulb	R. VI	284-292	
707.193	Bulb	R. VI	220-287-292	
707.194	Bulb	R. VI	220-223-287-292	
707.255	Bulb	R. VI	220	
709.398	Coil	R. VI	50	
709.400	Coil	R. VI	50	
709.707	Condenser	R. VI	50-54	
709.788	Rubber protector	R. VI	50	
710.005	Ring	R. III	50-54	
710.022	Special nut	R. VI	303	
711.472	Eyelet	R. III	303	
722.429	Washer	R. III	303	
722.458	Junction box	R. III	303	
722.592	Clip	R. VI	303	
722.593	Clip	R. VI	303	
730.007	Dowel	R. I	5	
804.104	Cap	R. IV	275-280	
921.552	Cable		300	

NUMBER	DESIGNATION	Section	PAGE No.	REMARKS
A 121-80	Seal	R. VI	2	
A 132-1	Plug		2	
A 141-4	Nut		37-38-41	
A 174-84	Joint	R. VI	10-33	
A 175-14	Plug	R. VI	33	
A 212-01a	Coil	R. VI	45	
A 212-54	End piece	R. VI	45	
A 212-73f	Bracket		45	
A 212-73g	Bracket		45	
A 212-77a	Protection sleeve	R. VI	45-49	
A 225-86	Union		57	
A 225-87	Joint	R. VI	57	
A 331-5	Plug		72	
A 381-96	Locking piece		72	
A 442-83	Guide nut		136	
A 451-3	Spindle		160	
A 451-16	Cam		160	
A 451-80	Tube		116	
A 451-83	Rod		160	
A 451-85	Spring	R. VI	160	
A 451-86	Distance piece		160	
A 453-26	Screw		30-159-160	
A 453-28	Cap	R. VI	30-103-159-160	
A 453-72	Joint		57	
A 512-3	Terminal		303	
A 512-36	Socket		303	
A 512-4a	Plug		303	
A 512-5b	Sleeve	R. VI	303	
A 522-9	Switch	R. VI	224-231	
A 525-95a	Ferrule	R. VI	66	
A 525-96a	Screw	R. VI	66	
A 533-17b	Spring	R. VI	244-248	
A 565-97	Circlip	R. VI	251	
A 565-98	Washer	R. VI	251	
A 615-84	Buffer		65-263-264-332	

NUMBER	DESIGNATION	Section	PAGE No.	REMARKS
AM 532-03	End plate	R. VI	236	
AM 532-11	Brush holder	R. VI	236	
AM 532-15	Spring	R. VI	236	
AM 532-15a	Spring	R. VI	240	
AM 532-19b	Brush holder	R. VI	240	
AM 532-19c	Brush	R. VI	236	
AM 532-41a	Nut	R. VI	240	
AM 532-84	Key	R. VI	240	
AM 532-94	Rod	R. VI	236	
AM 564-034	Reservoir.....	R. VI	231	
AZ 212-77	Protector	R. VI	53	
HY 211-59	Rod	R. VI	49-53	

ENGINE-I

NUMBER	INLET MANIFOLD	CLUTCH CONTROL	DAMPER	CRANKCASE	REMARKS
DS 1-03	Exterior	Low pressure pump	without	DS 114-5d	Until July 1959. No longer supplied.
DS 1-03b	Integral	-	-	-	July 1959 - September 1960. No longer supplied.
DS 1-03c	-	Centrifugal regulator	-	-	September 1960 - March 1961. No longer supplied.
DS 1-03f	-	-	with	-	March 1961 - July 1961. No longer supplied.
DS 1-03e	-	-	-	DM 114-5a	Since July 1961.
DW 1-03a	-	PEDAL	-	-	Mechanical Control.

NOTE - The engines are supplied:

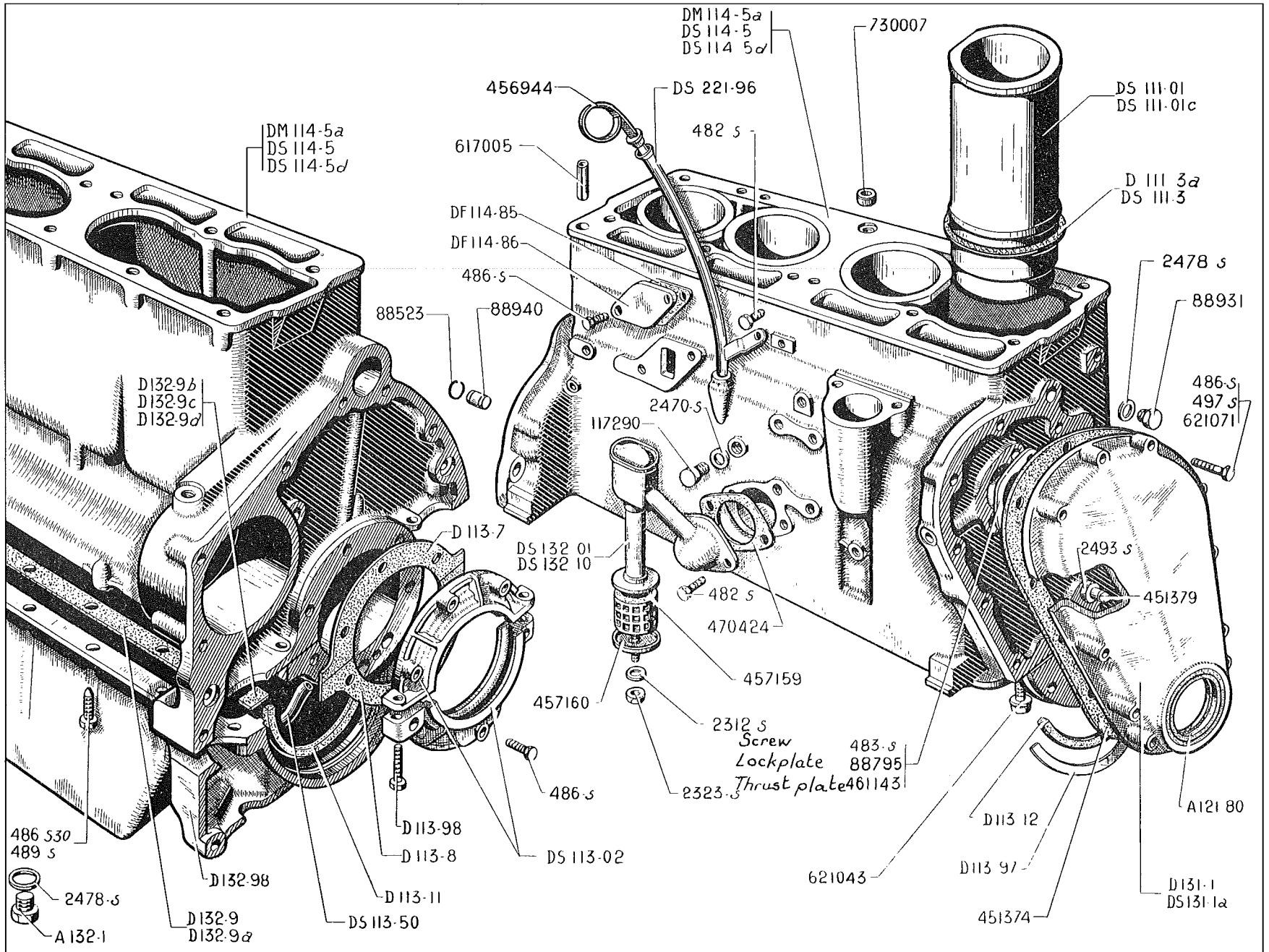
WITH: clutch.

WITHOUT: manifold or inlet housing, exhaust manifold, water pump, lateral supports, oil dipstick, spark plugs, breather, distributor, starter motor, dynamo or petrol pump.

ENGINE JOINTS

NUMBER	DESCRIPTION	REMARKS
242	Packet of joints for engine comprising: all the joints normally used in re-assembling an engine (except C/A, Hugo-Reinz and rubber) (R. VI).	

ENGINE-CYLINDER BLOCK-CYLINDER BARRELS-3



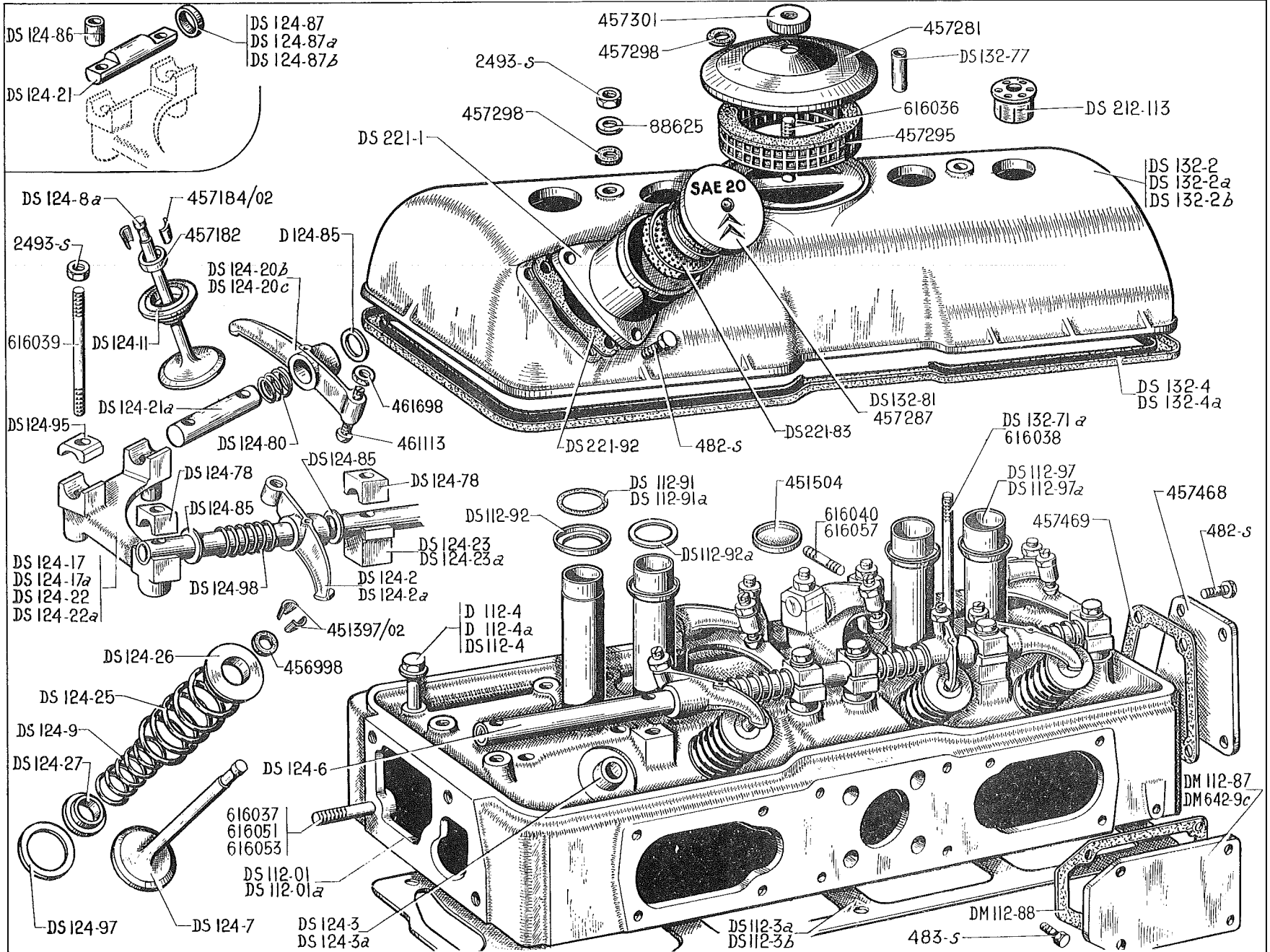
2-ENGINE-CYLINDER BLOCK-CYLINDER BARRELS

NUMBER	DESCRIPTION	No. OFF	NUMBER	DESCRIPTION	No. OFF	NUMBER	DESCRIPTION	No. OFF
A 121-80	Sealing bush for damper on timing cover (48 x 65.2 x 10) (R. VI). Since March 1961.	1	D 113-98	Screw, hex. head, 5 diameter x 25 long, for assembling oil baffle.	2	D 132-9c	Right-hand timing gear end (14.5 x 22 x 3).	1
A 132-1	Drain plug, hex., 16 diameter x 150 pitch for sump.	1	DM 114-5a	Cylinder block, without cylinder barrels, distance between thrust faces of the bearing rings, timing gear side 37.7 mm. Since July 1961.	1	D 132-9d	Right and left-hand, flywheel end (15.5 x 22 x 3).	2
DS 111-01	Set of four cylinder barrels with pistons, rings, gudgeon pins and joints (flat top pistons). Until March 1961.	1	DS 114-5	<i>Cylinder block, without cylinder barrels, distance between thrust faces of the bearing rings, timing gear side 35.9 mm. Until January 1961. Replaced by DS 114-5d. See Technical Note No. 739.</i>	1	DS 132-10	Breather without filter element (R. VI). Since August 1956.	1
DS 111-01c	Set of four cylinder barrels with pistons, rings, gudgeon pins and joints (convex pistons, damper assembly). Since March 1961.	1	DS 114-5d	Cylinder block, without cylinder barrels, distance between thrust faces of the bearing rings, timing gear side 37.7 mm (supplied with 1 bearing ring DS 113-91c). January 1961 - July 1961.	1	<u>D 132-84</u>	Closing plate, (breather position). U.S.A. Since May 1964.	1
D 111-3a	<i>Paper joint between cylinder and cylinder barrel (light chestnut colour) (R. VI). Until October 1956. Replaced by DS 111-3.</i>	4	DF 114-85	Joint for closing plate on cylinder block (R. VI). Since July 1961.	1	D 132-98	<i>Engine sump, aluminium. Until June 1964. Replaced by DM 132-98. Order in addition: 1-DM 113-96.</i>	1
DS 111-3	Paper joint between cylinder and cylinder barrel (light blue colour) (R. VI). Since October 1956.	4	DF 114-86	Closing plate on cylinder block. Since July 1961.	1	<u>DM 132-98</u>	Engine sump, aluminium, (internal baffle). Since June 1964.	1
DS 113-02	Oil baffle - upper and lower halves, assembled. Until October 1965.	1	D 131-1	Timing case cover. Until March 1961	1	DS 221-96	Support tube for oil dipstick (R. VI).	1
<u>DS 113-02a</u>	Oil baffle - upper and lower halves, 66 mm and 77 mm diameter. Since October 1965.	1	DS 131-1a	Timing case cover, 65 mm bore for damper. Since March 1961.	1	482-S	Screw, hex. head, 7 diameter x 12.5 long (R. III) securing: - support tube for oil dipstick. - breather.	1 2
D 113-7	Gasket for oil baffle, upper (3 holes 8 mm diameter) (R. VI). Until February 1957.	1	DS 132-01	Breather with filter element. All types. Until August 1956. Export. Since August 1956.	1	483-S	Screw, hex. head, 7 diameter x 15 long, securing camshaft thrust plate (R. III).	2
D 113-8	Gasket for oil baffle, lower (3 holes 8 mm diameter, 2 holes 12 mm diameter) (R. VI). Until February 1957.	1	D 132-9	Left-hand.	1	486-S	Screw, hex. head, 7 diameter x 22.5 long (R. III) securing: - oil baffle. - timing case cover. - closing plate.	6 1 2
D 113-11	Joint for bearing cap - flywheel end (section 6.5 x 8) (R. VI).	1	D 132-9a	Right-hand. Gasket for engine crankcase (cork) (R. VI). Since February 1959.	1	486-S 30	Screw, hex. head, pointed, 7 diameter x 22.5 long, securing engine sump (R. III).	10
D 113-12	Joint for bearing cap - timing case end (section 6.5 x 8) (R. VI).	1	D 132-9b	Left-hand, timing gear end (22 x 26.5 x 3).	1	489-S	Screw, hex. head, pointed, 7 diameter x 30 long, securing engine sump (R. III).	4
DS 113-50	Oil return pipe from bearing cap, flywheel end. Until June 1964.	1				497-S	Screw, hex. head, 7 diameter x 50 long, securing timing case (R. III). Until March 1959.	11
<u>DM 113-96</u>	Oil return pipe from bearing cap, flywheel end, 53 mm long, threaded 12 x 150. Since June 1964.	1				2.312-S	Washer, 5.5 x 12, under nut securing filter element (R. III). All Types. Until August 1956. Export. Since August 1956.	1
D 113-97	Oil seal retaining plate, 0.5 mm thick, 6.5 mm wide.	1				2.323-S	Nut, hex., 5 diameter x 75 pitch, securing filter element (R. III). All Types. Until August 1956. Export. Since August 1956.	1

ENGINE-CYLINDER BLOCK-CYLINDER BARRELS-5

NUMBER	DESCRIPTION	No. OFF	NUMBER	DESCRIPTION	No. OFF	NUMBER	DESCRIPTION	No. OFF
2.478-S	C and A joint, 16.3 x 22 x 2, for plug (R. VI): - for oil circulation. - for draining sump.	2 1	117.290	Cylinder water drain plug, 12 diameter x 175 pitch (R. I).	1	461.143	Thrust plate for camshaft (R. I).	1
2.493-S	Nut, hex., 7 diameter x 100 pitch, locking timing chain lubricator (R. III).	1	451.374	Joint for timing case cover(R. VI).	1	470.424	Joint for breather (R. VI).	1
88.523	Circlip for dowel locating bellhousing (R. I).	2	451.379	Lubricator for timing chain (R. I).	1	617.005	"Mecanindus" pin, 5 x 10, for centring cylinder head (R. VI). Since September 1957.	1
88.795	Lockplate, single, 8.5 diameter for screws securing camshaft thrust plate (R. I).	2	456.944	Flexible oil dipstick (R. VI).	1	621.043	Screw, hex. head, with shoulder, 12 diameter x 65 long, securing bearing cap (R. I).	6
88.931	Plug for oil circulation 16 diameter x 150 pitch (R. I).	2	457.159	Filter element for breather (20 x 44 x 40) (R. VI). All Types. Until August 1956. Export. Since August 1956.	1	621.071	Screw, hex. head, 7 diameter x 55 long, securing timing case cover (R. I). Since March 1959.	11
88.940	Dowel for locating bellhousing (14 x 21.5) (R. I).	2	457.160	Cap retaining filter element (R. VI). All Types. Until August 1956. Export. Since August 1956.	1	730.007	Dowel pin, locating cylinder head (11.5 x 16 x 7.5) (R. I).	1

CYLINDER HEAD-VALVE ROCKER ASSEMBLY-CYLINDER HEAD COVER-7



6-CYLINDER HEAD-VALVE ROCKER ASSEMBLY-CYLINDER HEAD COVER

NUMBER	DESCRIPTION	No. OFF	NUMBER	DESCRIPTION	No. OFF	NUMBER	DESCRIPTION	No. OFF
DS 112-01	Cylinder head only, with valve seats, guides and sparking plug tubes (external inlet manifold). Until July 1959.	1	DS 112-97	Sparking plug tube, length 113 mm, diameter 32 mm on 30 mm length (1st possibility).	4	DS 124-23a	<i>Bracket, intermediate, for inlet rockers (steel). May 1960 - March 1964. DS 124-23b (R. VI).</i>	2
DS 112-01a	Cylinder head only, with valve seats, guides and sparking plug tubes (integral inlet manifold). Since July 1959.	1	DS 112-97a	Sparking plug tube, length 113 mm, diameter 32.3 mm on 30 mm length (2nd possibility).	4	<u>DS 124-23b</u>	Bracket, intermediate, for inlet rockers (steel), (R. VI). Since March 1964.	2
DS 112-3a	Cylinder head gasket lined with asbestos (R. VI). Until March 1961.	1	DS 124-2	Inlet rockers 2 and 4.	2	DS 124-25	Valve spring, outer (23.6 x 32 x 44.4).	8
DS 112-3b	Cylinder head gasket lined Hugo-Reinz (damper arrangement) (R. VI). Since March 1961.	1	DS 124-2a	Inlet rockers 1 and 3.	2	DS 124-26	Cup, upper, for inlet valve spring, 10 mm deep, tapered bore (R. VI).	4
D 112-4	Screw, hex. head, shouldered, 10 x 102 x 25 securing cylinder head. Until September 1961.	7	DS 124-3	Valve guide, external diameter 13 mm. 1st arrangement.	8	DS 124-27	Cup, lower, shouldered, for valve spring (13.6 x 17 x 20 x 2.5) (R. VI).	8
D 112-4a	Screw, hex. head, shouldered, 10 x 105 x 28 securing cylinder head. Since September 1961.	7	DS 124-3a	Valve guide, external diameter 13.25 mm. 2nd arrangement.	8	DS 124-78	Cap for inlet valve rockershaft, central hole 10.5 mm diameter (R. VI).	6
DS 112-4	Screw, hex. head, shouldered, 10 x 149 x 25 securing cylinder head.	6	DS 124-6	Inlet rockershaft 18 diameter, 420 mm long.	1	DS 124-80	Spring for exhaust rockershaft (16.3 x 18.3 x 14.5). Since April 1956.	4
DM 112-87	Closing plate for cylinder head. Except Cold Climates. Cold Climates. Since July 1959. ALL TYPES. Since November 1964.	2 1	DS 124-7	Inlet valve 42 mm diameter, 107.7 mm long.	4	D 124-85	Washer, 16.5 x 20 x 0.9, for spacing exhaust rockers.	4
DM 112-88	Joint for closing plate (R. VI). Since July 1959.	2	DS 124-8a	Exhaust valve 37 mm diameter, 105.5 mm long.	4	DS 124-85	Washer, 18.5 x 25 x 1 for spacing inlet rockers. Until May 1960. Since May 1960.	4 8
DS 112-91	Sealing ring for sparking plug tube (30.5 x 42.5 x 6). Until February 1961.	4	DS 124-9	Valve spring, inner (17.8 x 22.2 x 32.25).	8	DS 124-86	Distance piece for fitting exhaust rockershaft (7.25 x 12 x 10). Until April 1956.	8
DS 112-91a	Sealing ring for sparking plug tube (rectangular section, 31 x 39 x 6). Since February 1961.	4	DS 124-11	Upper cup for exhaust valve spring, height 8.5 mm, bore diameter 15.3 mm, depth 4.3 mm.	4		Washer for lateral adjustment of exhaust rocker, diameter 16 x 20, Until April 1956.	As nec.
DS 112-92	Retainer for sparking plug tube sealing ring (32 x 49 x 4) (R. VI). Until February 1961.	4	DS 124-17	Bracket No. 1 for rockershaft.	1	DS 124-87	<i>5.7 mm thick. No longer supplied.</i>	
DS 112-92a	Thrust washer for sparking plug tube sealing ring (32 x 41 x 1.5) (R. VI). Since February 1961.	4	DS 124-17a	Bracket No. 4 for rockershaft.	1	DS 124-87a	<i>6 mm thick. No longer supplied.</i>	
<u>DS 112-93</u>	Plug, rubber, for holes in scuttle allowing entry of cylinder head fixing screws. Since September 1964.	1	DS 124-20b	Exhaust rockers 2 and 4.	2	DS 124-87b	<i>6.3 mm thick. No longer supplied.</i>	
			DS 124-20c	Exhaust rockers 1 and 3.	2	DS 124-95	Cap securing exhaust rockershaft, central hole 7.75 diameter (R. VI). Since April 1956.	8
			DS 124-21	<i>Exhaust rockershaft 16 mm diameter on 24 mm long. Until April 1956. Replaced by DS 124-21a; order in addition: 2-DS 124-95.</i>	4			
			DS 124-21a	Exhaust rockershaft 16 mm diameter, length 66 mm. Since April 1956.	4			
			DS 124-22	Bracket No. 3 for rockershaft.	1			
			DS 124-22a	Bracket No. 2 for rockershaft.	1			
			DS 124-23	<i>Bracket, intermediate, for inlet rockers (cast). Until May 1960. Replaced by DS 124-23b; order in addition: 2-DS 124-85.</i>	2			

CYLINDER HEAD-VALVE ROCKER ASSEMBLY-CYLINDER HEAD COVER-9

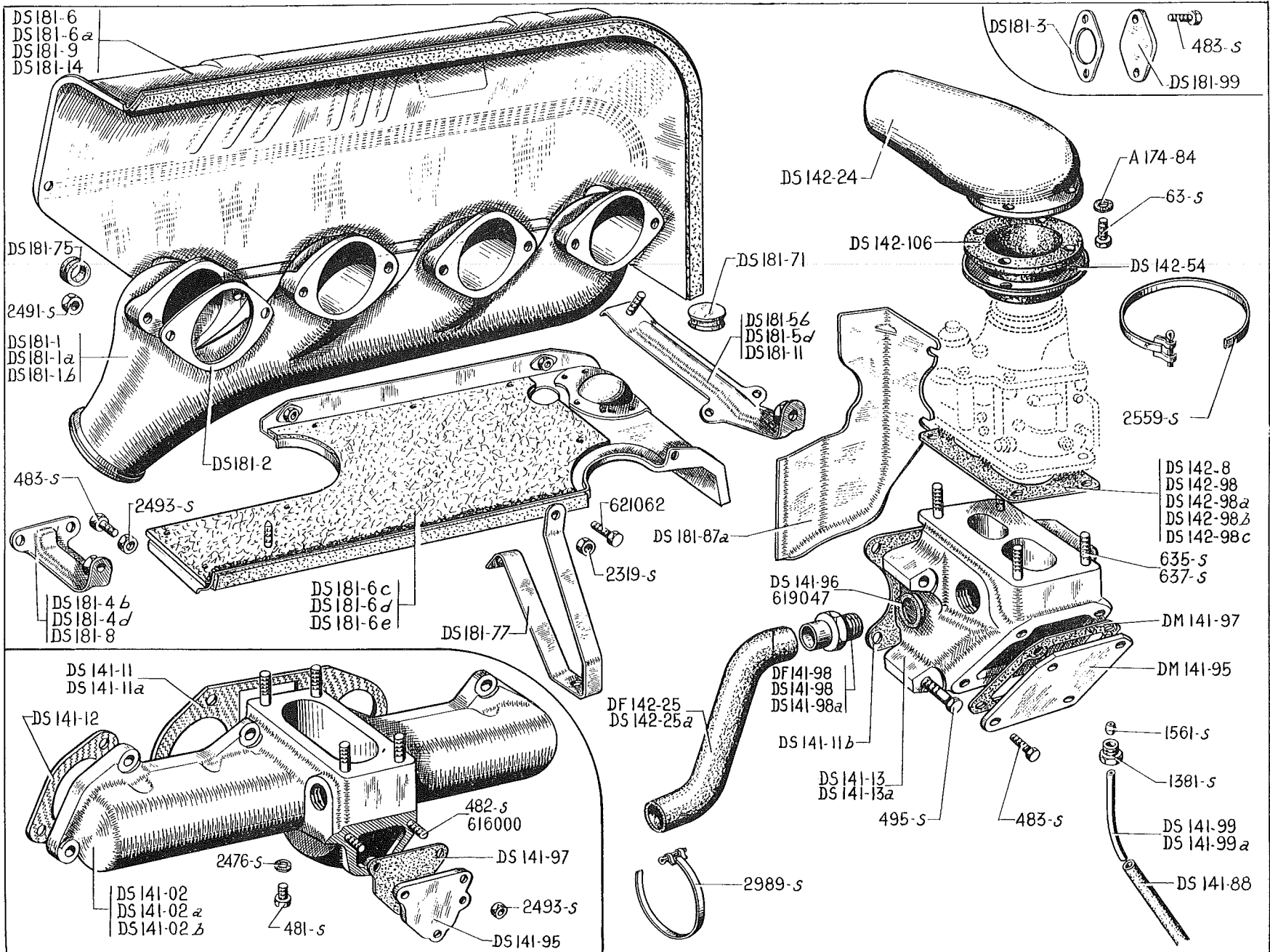
NUMBER	DESCRIPTION	No. OFF	NUMBER	DESCRIPTION	No. OFF	NUMBER	DESCRIPTION	No. OFF
DS 124-97	Thrust washer, lower for outer valve spring (22.1 x 32 x 0.5) (R. VI).	8	DS 221-92	Joint for oil filler (R. VI). All Types. Until March 1962. Export. Since March 1962.	1	457.469	Joint for rear closing plate (R. VI).	1
DS 124-98	Spring for inlet rockershaft (18.3 x 21.3 x 59).	4	DM 642-9c	Closing plate for cylinder head with temperature gauge bulb connection (welded nut). Cold Climates. All Types. Since November 1964.	1	461.113	Tappet adjusting screw (R. I).	8
DS 132-2	<i>Cylinder head cover only. Until February 1961. Replaced by DS 132-2a; order in addition: 4-DS 112-91a, 4-DS 112-92a, 1-DS 132-4a.</i>	1	482-S	Screw, hex. head, 7 diameter x 12.5 long (R. III) securing: - rear closing plate. - oil filler. All Types. Until March 1962. Export. Since March 1962.	4 3	461.698	<i>Locknut, hex., 7 diameter x 100 pitch, with collar for tappet adjusting screw (R. I). Replaced by DX 124-93.</i>	8
DS 132-2a	Cylinder head cover only (U section joint). All Types. February 1961 - March 1962. Export. Since March 1962.	1	483-S	Screw, hex. head, 7 diameter x 15 long, securing lateral closing plates (R. III). Since July 1959.	8	616.036	Stud, 7 diameter x 50 long (threaded 10.5 and 17) securing filter element.	1
DS 132-2b	Cylinder head cover only, with filler tube. All Types except Export. Since March 1962.	1	2.493-S	Nut, hex., 7 diameter x 100 pitch (R. III) securing: - cylinder head cover. - bracket for exhaust rockershaft.	2 8	616.037	Stud, 10 diameter x 90 long (threaded 15 and 20) securing water pump cover and air filter (R. I). Until September 1960. DS Manual Gear Change Control.	2
DS 132-4	Joint for cylinder head cover (rectangular section). Until February 1961.	1	88.625	Washer, 7.5 x 20 x 1.5, under nut securing cylinder head cover (R. I).	2	616.038	Stud, 7 diameter x 117 long (threaded 10 and 55) securing cylinder head cover (R. I). All Types except Export. Export. All Types. Since November 1962.	1 2 1
DS 132-4a	Joint for cylinder head cover (U section). Since February 1961.	1	451.397/02	Split cotter for inlet valve cup, 8 mm high (2 parts) (R. I).	4	616.039	Stud, 7 diameter x 76.5 long, (threaded 10 and 17) securing exhaust rocker bracket (R. I).	8
DS 132-71a	<i>Stud, 7 diameter x 146 mm long, (threaded 10 and 55), securing cylinder head cover and air filter. All Types except Export. All Types. November 1962 - September 1964. Replaced by DS 132-71b.</i>	1	451.504	Core plug (30 mm diameter) (R. I).	3	616.040	Stud, 7 diameter x 42.5 long (threaded 14 and 18) (R. I) securing: - inlet and exhaust manifolds. Until July 1959. - exhaust manifold. July 1959 - September 1960. Since September 1960.	16 8 7
<u>DS 132-71b</u>	Stud, 7 x 136, for securing cylinder head cover and air filter. Since September 1964.	1	456.998	Washer, 7 x 11 x 2.5, for sealing the stem of the inlet valve (R. I).	4	616.051	Stud, 10 diameter x 80 long (threaded 15 and 20) securing water pump cover (R. I). Since September 1960. Hydraulic control.	1
DS 132-77	Distance piece for filter element (8 x 10 x 24.5).	1	457.182	Cup for exhaust valve split cotters, tapered hole 4.5 mm thick (R. I).	4	616.053	Stud, 10 diameter x 110 long, (threaded 15 and 45) securing cover for pump and centrifugal regulator (R. I). Since September 1960. Hydraulic Control.	1
DS 132-81	Filler cap (R. VI). All Types except Export. Since March 1962.	1	457.184/02	Split cotter for exhaust valve, 5.65 mm high (2 parts) (R. I).	4	616.057	Stud, 7 diameter x 52 long (threaded 14 and 18) for exhaust manifold, plate retaining front screen and reinforcement for centrifugal regulator (R. I). Since September 1960.	1
DS 212-113	Cap for sparking plug hole (R. VI). Until April 1962.	4	457.281	Cap on filter element (R. VI).	1			
DS 221-1	Oil filler on cylinder head cover (R. VI). All Types. Until March 1962. Export. Since March 1962.	1	457.287	Oil filler cap (R. VI). All Types. Until March 1962. Export. Since March 1962.	1			
DS 221-83	Filter for oil filler (R. VI). All Types except Export. Since March 1962.	1	457.295	Filter element on cylinder head cover (65 x 87 x 22) (R. VI).	1			
			457.298	Joint, 7 x 20 x 2 (R. VI): - for filter cap nut. Until May 1957. - under nuts securing cylinder head cover.	1 2			
			457.301	Knurled nut, 7 diameter x 100 pitch, securing cap on filter element (R. I).	1			
			457.468	Closing plate, rear, for cylinder head (R. I).	1			

The numbers underlined indicate new parts which do not appear on the illustration.

Catalogue No. 466 - March 1966.

ANTI-POLLUTION DEVICE (U.S.A.)-9A

NUMBER	DESCRIPTION	No. OFF	NUMBER	DESCRIPTION	No. OFF	NUMBER	DESCRIPTION	No. OFF
	SPECIAL PARTS SINCE MAY 1964		DS 132-93	Sealing joint for air intake extension on inlet chamber (9.5 x 20 x 1) (R. VI).	1	484-S	Screw, hex. head, 7 x 17.5, for securing support for flexible union on cylinder cover (R. III).	1
DS 132-48	Flexible union on cylinder cover (R. VI).	1	DS 132-94	Grille (spark guard) on cylinder cover, 70 mm diameter (R. VI).	1	2.482-S	Washer, flat, 7.5 x 14, for screws securing support for flexible union on cylinder cover (R. III).	1
DS 132-78	Support joint for flexible union (70 x 88 x 1.5) (R. VI).	1	DS 132-95	Air intake extension on inlet chamber, 39 mm long, 1 thread 9 x 125 (R. VI).	1	2.514-S	Washer, shakeproof, 7.3 x 12, for securing support of flexible union on cylinder cover (R. VI).	1
DS 132-79	Valve connecting cylinder cover to inlet chamber (R. VI).	1	DS 132-97	Extension on air filter, 20 mm diameter (R. VI).	1	2.556-S	Collar, fixing, 130 mm long (R. VI): - valve on flexible union. - tube connecting valve to inlet chamber.	1 2
DS 132-80	Support for flexible union on cylinder cover, 73 mm dia (R. VI).	1	DS 141-13b	Inlet chamber, studded, with sealing plate, 1 thread 9 x 125 for air intake.	1	2.994-S	Collar, securing flexible union on cylinder cover (R. VI).	1
DS 132-91	Oil deflector on cylinder cover, 65 mm diameter (R. VI).	1	DS 141-95a	Sealing plate for inlet chamber, 4 holes 8 mm diameter, 1 hole 10.5 mm diameter.	1	614.020	Collar, securing extension on flexible union, 113 mm long (R. VI).	1
DS 132-92b	Tube, rubber, 7 x 16, connecting valve to inlet chamber, 400 mm long.	1						



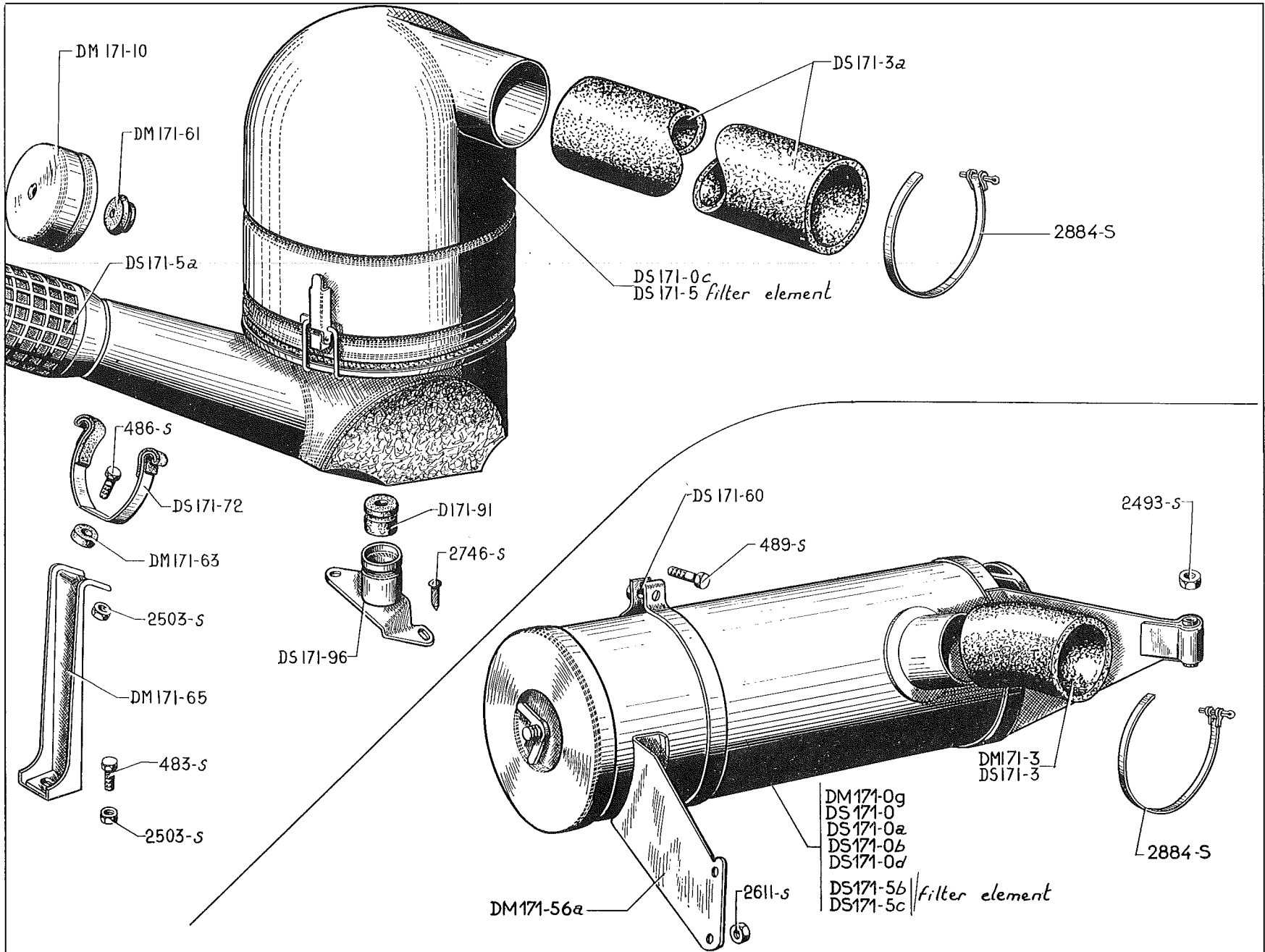
10-MANIFOLD-CARBURETTOR

NUMBER	DESCRIPTION	No. OFF	NUMBER	DESCRIPTION	No. OFF	NUMBER	DESCRIPTION	No. OFF
	For the carburettor and spare parts apply direct to Messrs. WEBER or ZENITH.		DS 141-13a	Inlet housing, with studs, closing plate, round section ports. Since February 1961.	1	DF 142-25	Flexible pipe for carburettor heating, internal diameter 18 mm. Since September 1960.	1
A 174-84	Fibre washer, 4.5 x 8 x 0.5 under securing cup for shouldered connection (R. VI).	3	DS 141-88	Rubber petrol drain tube (4 x 11 x 250). Replaces type 400 long.	1	DS 142-25a	Flexible pipe for carburettor heating, internal diameter 21 mm. Until September 1960.	1
DS 141-02	<i>Inlet manifold with studs, water inlet 48 x 61. Until September 1956. Replaced by DS 141-02b; order in addition: 1-DS 141-11a (R. VI), 1-DS 142-98 (R. VI).</i>	1	DM 141-95	Closing plate for inlet housing. Since July 1959.	1	DS 142-54	Cup connecting shouldered union on air inlet pipe (72 x 93 x 3).	1
DS 141-02a	<i>Inlet manifold with studs, water inlet 55 x 61, with studs 635-S. September 1956 - December 1956. Replaced by DS 141-02b; order in addition: 1-DS 142-98 (R. VI).</i>	1	DS 141-95	Closing plate (R. VI). Until July 1959.	1	DS 142-98	Distance piece under Weber carburettor, 2 holes 36 mm diameter 5 mm thick, (R. VI). December 1956 - July 1959.	1
DS 141-02b	Inlet manifold with studs, water inlet 55 x 61, with studs 637-S. December 1956 - July 1959.	1	DS 141-96	Fibre joint for water outlet union (24.5 x 30 x 1.5 to 2) (R. VI). Until July 1959.	1	DS 142-98a	Distance piece under Zenith carburettor 2 holes 31 mm diameter 5 mm thick (R. VI). December 1956 - July 1959.	1
DS 141-11	Central gasket between inlet manifold and cylinder head, 2 holes 37 mm; 1 hole 48 x 61 (R. VI). Until September 1956.	1	DM 141-97	Joint, paper for closing plate (R. VI). Since July 1959.	1	DS 142-98b	Distance piece under carburettor, 2 oval holes, thickness 5 mm (R. VI). July 1959 - February 1961.	1
DS 141-11a	Central gasket between inlet manifold and cylinder head, 2 holes 37 mm; 1 hole 55 x 61 (R. VI). September 1956 - July 1959.	1	DS 141-97	Joint, paper for closing plate (R. VI). Until July 1959.	1	DS 142-98c	Distance piece under carburettor, 1 hole 33 mm diameter, 1 hole 25 mm, 5 mm thick (R. VI). Since February 1961.	1
DS 141-11b	Joint for inlet housing on cylinder head (central hole 41.5 to 42.5 maximum) (R. VI). Since July 1959.	1	DF 141-98	Union for water outlet, threaded 24 diameter x 150 pitch, outside diameter 19. Since September 1960.	1	DS 142-106	Shouldered flexible connector for air inlet pipe (65 x 71 x 90 x 20).	1
DS 141-12	Outer gasket between inlet manifold and cylinder head, central hole 37 mm, 2 holes 8.25 mm, 70 mm between centres (R. VI). Until July 1959.	2	DS 141-98	Union for water outlet, threaded 20 diameter x 150 pitch, outside diameter 22. Until July 1959.	1	DS 181-1	<i>Exhaust manifold. Until February 1956. No longer supplied.</i>	1
DS 141-13	Inlet housing with studs, closing plate, oval section ports. July 1959 - February 1961.	1	DS 141-98a	Union for water outlet, threaded 20 diameter x 150 pitch, outside diameter 22. July 1959 - September 1960.	1	DS 181-1a	Exhaust manifold. February 1956 - September 1962.	1
			DS 141-99	Petrol drain pipe (3 x 4.5 x 60) on inlet manifold. Until July 1959.	1	DS 181-1b	Exhaust manifold. Since September 1962.	1
			DS 141-99a	Petrol drain pipe (3.5 x 4.5 curved) on inlet housing. Since July 1959.	1	DS 181-2	<i>C/A gasket between exhaust manifold and cylinder head (R. VI). Until May 1964. Replaced by HY 181-2.</i>	4
			DS 142-8	Gasket for carburettor (R. VI). Until December 1956.	1			
			DS 142-24	Air inlet pipe on carburettor.	1			

MANIFOLD-CARBURETTOR-13

NUMBER	DESCRIPTION	No. OFF	NUMBER	DESCRIPTION	No. OFF	NUMBER	DESCRIPTION	No. OFF
DS 181-3	C/A gasket for closing plate (2 holes, 7.5 mm, 1 hole 18 mm) (R. VI). Until April 1957.	1	DS 181-75	Grommet, 10 x 20 x 6, for protection shield of exhaust manifold (R. VI). Since September 1962.	4	637-S	Stud, 7 diameter x 35.5 long, (threaded 17 and 10.5), securing carburettor (R. III). Since December 1956.	4
DS 181-4b	Bracket, front, for exhaust shield (with welded screw). Until September 1962.	1	DS 181-77	Plate securing upper and lower shields on manifold. Since September 1962.	1	1.381-S	Union screw, 10 diameter x 100 pitch, for petrol drain pipe (R. III).	1
DS 181-4d	Support, front, for exhaust shield (with welded nut). Since September 1962.	1	DS 181-87a	Rear closing panel for exhaust shield. Until September 1962.	1	1.561-S	Bi-conical union, 4.5 mm for petrol drain pipe (R. III).	1
DS 181-5b	Bracket, rear, for exhaust shield (with welded screw). Until September 1962.	1	DS 181-87b	Rear closing panel for exhaust shield. Since September 1962.	1	2.319-S	Nut, hex., 5 diameter x 75 pitch, 5 mm high (R. III) securing: - upper shield on plate DS 181-77, - plate DS 181-77 on lower shield.	1 1
DS 181-5d	Support, rear, for exhaust shield (with welded nut). Since September 1962.	1	<u>DS 181-99</u>	Closing plate for exhaust manifold (2 holes 7.5 mm) (R. VI). Until April 1957.	1	2.476-S	Copper washer, 7.2 x 11 x 1 to 1.5 for water drain plug (R. VI). Until July 1959.	1
DS 181-6	<i>Shield for exhaust manifold. Until February 1956. No longer supplied.</i>	1	<u>HY 181-2</u>	Gasket between exhaust manifold and cylinder head, central hole 37 mm (R. VI). Since May 1964.	4	2.491-S	Nut, hex., 7 diameter x 100 pitch (7 mm high) securing manifold (R. III). Until July 1959. Since July 1959.	16 8
DS 181-6a	Shield for exhaust manifold. February 1956 - September 1962.	1	63-S	Screw, hex. head, 4 diameter x 10 long, securing shouldered connecting cup for air inlet (R. III).	3	2.493-S	Nut, hex., 7 diameter x 100 pitch, (height 5 mm) (R. III) securing: - closing plate. - shield on bracket. December 1957 - September 1962. Since September 1962.	3 2 1
DS 181-6c	<i>Exhaust shield, lower part, L.H. steering. September 1962 - June 1963. Replaced by DS 181-6e.</i>	1	481-S	Drain plug, hex. head, 7 diameter x 10 long (R. III). Until July 1959.	1	2.559-S	Fixing collar for shouldered connection on carburettor air inlet pipe (R. VI).	1
DS 181-6d	Exhaust shield, lower part. R.H. steering.	1	482-S	Screw, hex. head, 7 diameter x 12.5 long, securing closing plate for exhaust manifold (R. III). December 1956 - July 1959.	3	2.989-S	Clip, (5 mm wide, 245 mm long), securing heater tube on carburettor (R. VI).	2
DS 181-6e	Exhaust shield, lower part. L.H. steering. Since June 1963.	1	483-S	Screw, hex. head, 7 diameter x 15 long (R. III) securing: - plate on exhaust manifold. Until April 1957. - closing plate on inlet housing. Since July 1959. - shield on bracket.	2 3 2	616.000	Stud, 7 diameter x 20.5 long (threaded 10.5 and 7.5) securing closing plate (R. I). Until December 1956. No longer supplied.	3
DS 181-8	Front retaining plate for exhaust shield. July 1957 - September 1962.	1	483-S 30	Screw, hex. head, pointed, 7 diameter x 15 long, securing upper shield (R. III). Since September 1962.	4	619.047	Joint, 20.5 x 26 x 1.5 to 2 for water outlet union (R. VI). Since July '59.	1
DS 181-9	Exhaust shield, upper part. R.H. steering.	1	495-S	Screw, hex. head, 7 diameter x 45 long, securing inlet housing (R. III). Since July 1959.	4	621.062	Screw, hex. head, 5 dia. x 14 long, securing upper shield on plate DS 181-77 (R. III). Catalogue No. 466 - March 1965.	1
DS 181-11	Plate with welded nut retaining heater inlet pipe. September 1960 - September 1962.	1	635-S	Stud, 7 diameter x 30.5 long (threaded 17 and 10.5) securing carburettor (R. III). Until December 1956.	4			
DS 181-14	Exhaust shield, upper part. L.H. steering. Since September 1962.	1						
DS 181-71	Closing plug for spanner on lower part of exhaust shield, 30 mm diameter (R. VI). June 1963 - June 1964.	1						

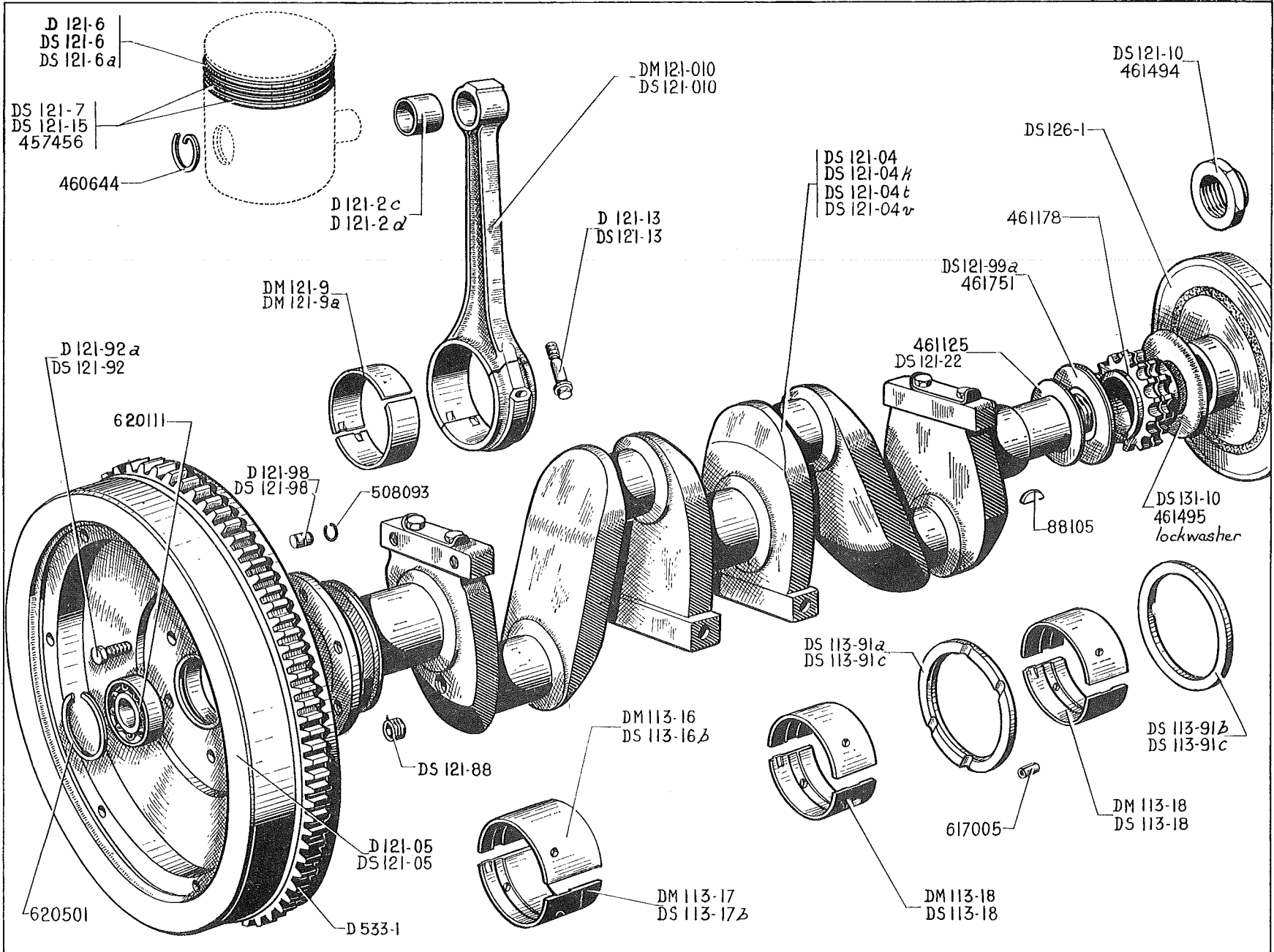
The numbers underlined indicate new parts which do not appear on the illustration.



14-AIR FILTER

NUMBER	DESCRIPTION	No. OFF	NUMBER	DESCRIPTION	No. OFF	NUMBER	DESCRIPTION	No. OFF
	AIR FILTER-DRY TYPE All types except export			AIR FILTER OIL BATH TYPE Export				
DS 171-0	<i>Air filter Vokes (fixing plate eyelet 12 mm long) (R. VI). Until January 1957. Replaced by DS 171-0b; order in addition: 1-DS 132-71a.</i>	1	DS 171-0c	MIOM air filter.	1	2. 884-S	Clip securing union between air filter and pipe length 0.550 m (R. VI).	2
DS 171-0a	Air filter MIOM (R. VI). January 1957 - September 1960.	1	DS 171-3a	Flexible connection between air filter and carburettor (R. VI).	1		RIGHT HAND STEERING MECHANICAL CONTROL	
DS 171-0b	Air filter Lautrette (fixing plate with eyelet, 24 mm long). January 1957 - September 1960.	1	DS 171-5	Filter element (R. VI).	1	DM 171-0g	Air filter dry MIOM (R. VI). Until September 1964.	1
DS 171-0d	Air filter MIOM. (Front fixing by clip), (R. VI). September 1960 - September 1964.	1	DS 171-5a	Filter element for air inlet (R. VI).	1	<u>DM 171-0i</u>	Air filter oil bath MIOM (R. VI). Export. Since July 1963.	1
<u>DS 171-0f</u>	Air filter MIOM without front support (R. VI). Since September 1964.	1	DM 171-10	Oil measure cup (R. VI).	1	<u>DM 171-0j</u>	Air filter dry MIOM, securing clip 15 mm wide. (R. VI). Since September 1964.	1
<u>DS 171-0g</u>	Air filter LAUTRETTE, without front support (R. VI). Since September 1964.	1	DM 171-61	Washer, rubber for oil measure cup (R. VI).	1	DS 171-3	Rubber connection, elbowed, between air filter and air inlet pipe.	1
DS 171-3	Flexible rubber connection, elbowed between air filter and air inlet pipe.	1	DM 171-63	Packing piece rubber 7.5 x 25 x 8 for filter support.	1	DS 171-5b	Air filter element MIOM (R. VI).	1
<u>DS 171-3c</u>	Flexible connection between air filter and carburettor. (U. S. A.). Since May 1964.	1	DM 171-65	Bracket, front for air filter.	1	DM 171-56a	Front filter bracket.	1
DS 171-5b	MIOM air filter element (R. VI).	1	DS 171-72	Clip for air inlet.	1	DS 171-60	Clip securing filter to front bracket (R. VI).	1
DS 171-5c	LAUTRETTE air filter element (R. VI). Since January 1957.	1	D 171-91	Bush, rubber, 9.8 x 30 x 22 for air filter support.	1	<u>DM 171-96b</u>	Support for air filter. Export. Since July 1963.	1
DS 171-60	Clip securing filter on heater pipe (R. VI). Since September 1960.	1	DS 171-96	Bracket, rear for air filter.	1	489-S	Screw, hex. head, 7 x 30 for securing clip DS 171-60 (R. III).	1
489-S	Screw, hex. head, 7 diameter x 30 long, for tightening clip securing air filter (R. III). Since September 1960.	1	483-S	Screw, hex. head, 7 diameter x 15 long, securing bracket for air inlet support (R. III).	1	2. 493-S	Nut, hex., 7 x 100, for securing air filter to cylinder head cover (R. III).	1
2. 493-S	Nut, hex. 7 diameter x 100 pitch, securing air filter on cylinder head cover (R. III).	1	486-S	Screw, hex. head, 7 diameter x 22.5 long, securing clip for air inlet (R. III).	1	2. 611-S	Nut, hex., 10 x 150 for securing air filter to water pump cover (R. III).	2
2. 884-S	Clip securing union between air filter and pipe, length 0.550 m (R. VI).	2	2. 503-S	Nut, hex., 7 diameter x 100 pitch (R. III) securing: - clip of air inlet pipe on support. - support.	1 2	2. 884-S	Clip securing union between air filter and pipe length 0.550 m (R. VI).	2
			2. 746-S	Screw, PK round head, cruciform slot, 4.85 x 16 securing rear bracket (R. VI).	2			

16-CRANKSHAFT-CONNECTING RODS-PISTONS



CRANKSHAFT-CONNECTING RODS-PISTONS-17

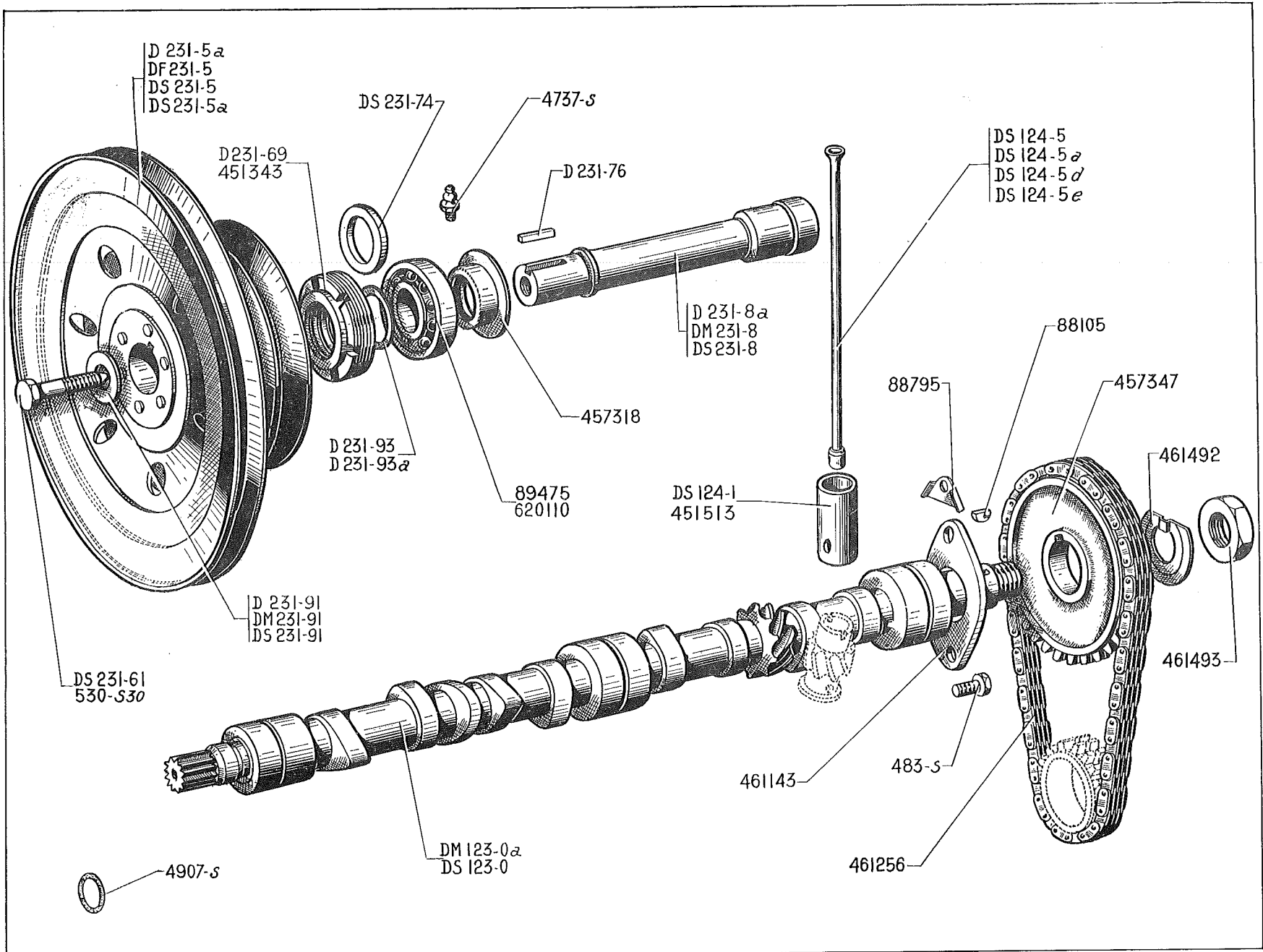
NUMBER	DESCRIPTION	No. OFF	NUMBER	DESCRIPTION	No. OFF	NUMBER	DESCRIPTION	No. OFF
	NOTE - The pistons and gudgeon pins are not supplied separately. See piston and cylinder barrel assemblies (page 2).		DS 121-04k	<i>Crankshaft, main bearing 54 mm diameter connecting rod journal 48 mm diameter; width of rear crankshaft bearing 42.3 mm; total length 563 mm. January 1961 - March 1961. Replaced by DS 121-04v.</i>	1		<i>19 mm). Until June 1957. Replaced by DM 121-010 per set of 4, see Technical Note No. 673.</i>	
	Top half of front bearing, lubricating groove at 18.6 mm from positioning dowel, 54.3 mm long (R. VI). Replaces type 56.3 mm long.	1	DS 121-04t	<i>Crankshaft, main bearing 54 mm diameter, connecting rod journal 48 mm diameter, holes for flywheel fixing tapped 10 diameter x 125 pitch. (fitted with 6 screws DS 121-92). Since June 1962. Replace, tapping securing flywheel 9 x 125 from March 1961 - June 1962 (bore the flywheel holes 11 mm). Replaced by DS 121-04z. Order in addition 1-DS 113-02a.</i>	1	D 121-2c	Small end bush (20 x 21.5 x 25). 1st possibility (R. VI).	4
DM 113-16	Bore 53.5 mm. 2nd possibility.					D 121-2d	Small end bush (20 x 21.7 x 25). 2nd possibility (R. VI).	4
DS 113-16b	Bore 54 mm. 1st possibility.					D 121-6	Piston ring, tapered, 78 x 2.5. Until March 1961.	4
	Bottom half of front bearing lubrication groove at 3 mm from positioning dowel, 54.3 mm (R. VI). Replaces type 56.3 mm long.	1				DS 121-6	Piston ring, cylindrical, chromed, 78 x 2.5. Until October 1957.	4
DM 113-17	Bore 53.5 mm. 2nd possibility.		DS 121-04v	<i>Crankshaft, main bearing 54 mm diameter, connecting rod journal 48 mm diameter, width of crankshaft bearing, distribution side 42.3 mm. Holes for flywheel fixing tapped 10 x 125 (for replacing crankshafts fitted until March 1961).</i>	1	DS 121-6a	Piston ring, cylindrical, chromed, 78 x 2 (R. VI). Since October 1957.	4
DS 113-17b	Bore 54 mm. 1st possibility.					DS 121-7	Oil scraper ring, chromed, 78 x 2.5 (damper arrangement). Since March 1961.	4
	Half bearing top and bottom, centre and rear, 37 mm long (R. VI).	4				DM 121-9	Half shell bearing for connecting rod, 48 mm diameter, 27 mm wide. 1st possibility (R. VI).	8
DM 113-18	Bore 53.5 mm. 2nd possibility.		<u>DS 121-04z</u>	<i>Crankshaft, main bearing 54 mm diameter, connecting rod journal 48 mm diameter, oil baffle 65.6 mm diameter x 9.5 mm wide. Since October 1965.</i>	1	DM 121-9a	Half shell bearing for connecting rod, 47.5 mm diameter, 27 mm long. 2nd possibility (R. VI).	8
DS 113-18	Bore 54 mm. 1st possibility.					DS 121-10	Nut, hex., 36 diameter x 150 pitch, securing damper on crankshaft. Since March 1961.	1
DS 113-91a	Inner ring for rear bearing, (58.1 x 72 x 4.03 chamfer on internal diameter) (R. VI). Until January 1961.	1	D 121-05	<i>Engine flywheel with starter gear ring, total thickness 84 mm, fixing holes 9.5 mm diameter. Until June 1962. Replaced by DS 121-05.</i>	1	D 121-13	Set screw, hex. head, 9 diameter x 32 long, securing big end cap. Until June 1957.	8
DS 113-91b	Outer ring for rear bearing (58.1 x 72 x 4.03 without chamfer on internal diameter) (R. VI). Until January 1961.	1	DS 121-05	<i>Flywheel with starter gear ring, fixing holes 11 mm diameter. Since June 1962.</i>	1	DS 121-13	Set screw, hex. head, 9 diameter x 29 long, securing big end cap (marked on head "1"). Since June 1957.	8
DS 113-91c	Ring for rear bearing (58.1 x 72 x 2.3) (R. VI). Since January 1961.	2				DS 121-15	Oil scraper ring, 78 x 5 (damper arrangement). Since March 1961.	4
DS 121-04	<i>Crankshaft, main bearing 54 mm diameter connecting rod journal 48 mm diameter, width of rear crankshaft bearing 44.1 mm. Until January 1961. Replaced by DS 121-04v. See Technical Note 739.</i>	1	DM 121-010	<i>Connecting rod, 48 mm diameter, journal 27 mm wide (body stamped DS 121-11, thickness of body 22 mm). Since June 1957.</i>	4	DS 121-22	Crankshaft adjusting washer, 38.5 x 44.5 x 0.03. Since March 1963.	As nec.
			DS 121-010	<i>Connecting rod, 48 mm diameter, journal 27 mm wide (body stamped D 121-11; thickness of body</i>	4	DS 121-88	Cap, sealing oilways on crankshaft (threaded 22 x 125) (R. VI).	4

The numbers underlined indicate new parts which do not appear on the illustration.

18-CRANKSHAFT-CONNECTING RODS-PISTONS

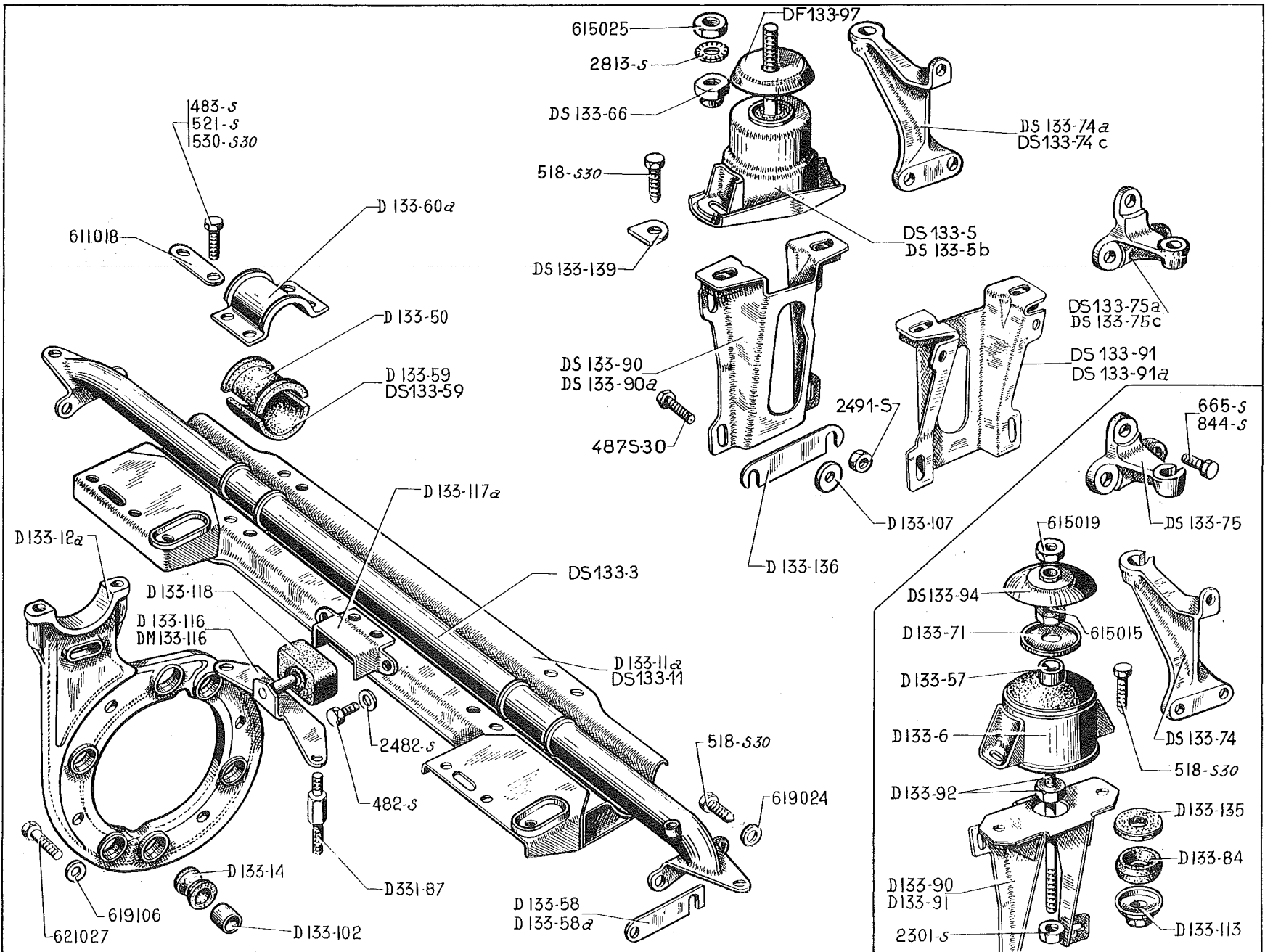
NUMBER	DESCRIPTION	No. OFF	NUMBER	DESCRIPTION	No. OFF	NUMBER	DESCRIPTION	No. OFF
D 121-92a	Screw, hex. head, 9 diameter x 17 long, securing engine flywheel (17 across flats). Until June 1962.	6	D 533-1	Starter gear ring (93 teeth), internal diameter 272 mm.	1	461.495	Lockplate, round, 36.5 diameter for crankshaft nut (R. I). Until March 1961.	1
DS 121-92	Screw, hex. head, 10 diameter x 17 long, securing engine flywheel. Since June 1962.	6	88.105	Woodruff key, 18.5 x 4.6 x 7.9, for crankshaft pinion (R. II).	1	461.751	Washer, 38 x 73 x 5, for crankshaft thrust (R. I). Until January 1961.	1
D 121-98	Dowel, 10 diameter x 16 long, centring engine flywheel on crankshaft, 1st possibility (R. VI).	1	457.456	Scraper ring, 78 x 4 (R. I). Until March 1961.	8	508.093	Circlip, 8.8 x 10.8 for dowel centring engine flywheel (R. I).	1
DS 121-98	Dowel, centring engine flywheel on crankshaft, 10 and 10.5 mm diameter x 16 mm long (2nd possibility) (R. VI). Since July 1963.	1	460.644	Circlip for gudgeon pin (R. I).	8	617.005	Pin "Mecanindus" 5 x 10, locking bearing ring (R. VI).	2
DS 121-99a	Washer, 38 x 74 x 6.7, for crankshaft thrust. Since January 1961.	1	461.125	Washer, 38.5 x 44.5 x 0.05, for crankshaft adjustment (R. I).	As nec.	620.111	Ball bearing, 15 x 42 x 13, with double sealing flange. (R. VI).	1
DS 126-1	Damper (R. VI). Since March 1961.	1	461.178	Pinion for crankshaft (19 teeth) (R. I).	1	620.501	Circlip, 44.7 mm diameter retaining rear crankshaft bearing (R. VI).	1
DS 131-10	Oil seal washer on crankshaft (38.5 x 73 x 3) (damper arrangement). Since March 1961.	1	461.494	Nut, hex., 36 diameter x 150 pitch, securing crankshaft pinion (R. VI). Until March 1961.	1			

20-CAMSHAFT



NUMBER	DESCRIPTION	No. OFF	NUMBER	DESCRIPTION	No. OFF	NUMBER	DESCRIPTION	No. OFF
DM 123-0a	Crankshaft with end piece, total length 545 mm. Since July 1961.	1	D 231-8a	Shaft driving water pump, dynamo and suspension pump, threaded 9 diameter 125 pitch. Until October 1958. Replaced by DS 231-8; order in addition: 1-DS 231-61, 1-DS 231-91.	1	4.737-S	Greaser, straight for bearing (R. VI). Until March 1958.	1
DS 123-0	Camshaft with end piece, total length 528 mm. Until July 1961.	1	DM 231-8	Shaft driving water pump, dynamo and suspension pump, end piece splined 57.5 mm long. Since July 1961.	1	4.907-S	Ring seal 18.4 x 23.8 x 2.7 on splined end of camshaft (R. VI). Until July 1961. Replaced by 4.988-S (R. III).	1
DS 124-1	Tappet for push-rod 26 mm diameter spherical diameter 14 mm. April - June 1956.	8	DS 231-8	Shaft driving water pump, dynamo and suspension pump, threaded 10 diameter 100 pitch, end piece splined 40.5 mm long. October 1958 - July 1961.	1	88.105	Woodruff key 18.5 x 4.6 x 7.9 for camshaft pinion (R. II).	1
DS 124-5	Push-rod for inlet rocker, length 227 mm spherical diameter 9 mm. April-June 1956. No longer supplied.	4	DS 231-61	Screw, hex. head, 10 diameter 30 long securing pulley. Since October 1958	1	88.795	Lockwasher, single 8.5 diameter for screws securing camshaft thrust plate (R. I).	2
DS 124-5a	Push-rod for exhaust rocker, length 253 mm spherical diameter 9 mm. April - June 1956.	4	D 231-69	Ring nut, locking bearing on driving shaft (external thread 50 diameter x 150 pitch), oil return thread, internal diameter 32. Until September 1960.	2	89.475	Bearing, front 20 x 47 x 14 for driving shaft (R. VI). Until March 1958.	1
DS 124-5d	Push-rod for inlet rocker, length 225 mm spherical diameter 14 mm. April - June 1956. Replaces type with dural ball end.	4	DS 231-74	Washer 20 x 31.5 x 3 between adjusting washer and pulley. October 1958 - September 1960.	1	451.343	Nut locking driving shaft bearing, external thread 50 diameter 150 pitch, oil return thread internal diameter 28 mm (R. I). Since September 1960.	1
DS 124-5e	Push-rod for exhaust rocker, length 251 mm spherical diameter 14 mm. April - June 1956. Replaces type with dural ball end.	4	D 231-76	Key, rectangular 4 x 4 x 21 for driving pulley (R. VI).	1	451.513	Tappet for rocker push rod 26 mm diameter spherical diameter 9 mm (R. I). April - June 1956.	8
D 231-5a	Pulley driving water pump, dynamo and suspension pump, triple groove, diameter hub 31.6 mm. Until July 1956.	1	D 231-91	Washer 9 x 28 x 4 under screw securing pulley. Until October 1958.	1	457.318	Deflector for driving shaft diameter 20 and 41 mm, total thickness 13 mm (R. I). Until March 1958.	1
DF 231-5	Pulley, triple groove, driving water pump, high pressure pump, dynamo and centrifugal regulator. Since September 1960.	1	DM 231-91	Washer 10.5 x 28 x 5 under screw securing pulley. Since September 1960.	1	457.347	Camshaft pinion (38 teeth, hub thickness 27.6 mm) (R. I).	1
DS 231-5	Pulley driving water pump, dynamo and suspension pump, 4 grooves, thickness of hub 28 mm. July 1956 - October 1958. Replaced by DS 213-5a, order in addition: 1-DS 231-74.	1	DS 231-91	Washer, 10.5 x 32 x 5, under screw securing pulley. October 1958 - September 1960.	1	461.143	Camshaft thrust plate (R. I).	1
DS 231-5a	Pulley driving water pump, dynamo and suspension pump, 4 grooves, thickness of hub 25 mm. October 1958 - September 1960.	1	D 231-93	Washer 20.5 x 27 for pulley adjustment, 0.5 mm thick.	As nec.	456.256	Timing chain (R. VI).	1
			D 231-93a	Washer, 20.5 x 27 for pulley adjustment, 0.8 mm thick.	As nec.	461.492	Lockwasher, round 24.5 mm diameter for nut securing camshaft pinion (R. I).	1
			483-S	Screw, hex. head, 7 diameter 15 long, securing camshaft thrust plate (R. III).	2	461.493	Nut, hex. 24 diameter 150 pitch locking camshaft pinion (R. I).	1
			530-S 30	Screw, hex. head 9 diameter 22 long, securing pulley (R. III). Until October 1958.	1	620.110	Ball bearing 20 x 47 x 14 (double sealing flange) front, for driving shaft (R. VI). Since March 1958.	1

24-ENGINE AND GEARBOX SUSPENSION



22-ENGINE AND GEARBOX SUSPENSION

NUMBER	DESCRIPTION	No. OFF	NUMBER	DESCRIPTION	No. OFF	NUMBER	DESCRIPTION	No. OFF
	FRONT Gearbox							
DS 133-3	Front crossmember, upper, fixed by 2 caps.	1	D 133-102	Bush, 9 x 14 x 19, for front bracket rubber bearing.	12	619.024	Washer for screws securing upper front crossmember on side-member (R. II).	6
D 133-11a	<i>Crossmember, front, lower, fixed by two caps. Until April 1963. Replaces fixing by three caps. Replaced by DS 133-11; order in addition: 2-DS 133-59.</i>	1	D 133-116	Bracket for end thrust block. Until November 1957.	1	619.106	Washer, 9.5 x 24 x 2 under head of screws securing front bracket (R. III).	12
DS 133-11	<i>Crossmember, front, lower, fixed by 2 caps. April 1963 - April 1964. Replaced by DS 133-11a.</i>	1	DM 133-116	Bracket for end thrust block. Since November 1957.	1	621.027	Screw, hex. head, 9 diameter x 50 long, securing front bracket (R. III).	12
<u>DS 133-11a</u>	Crossmember, front, lower, fixed by 2 caps. Since April 1964.	1	D 133-117a	Housing for end thrust block.	1	REAR OF ENGINE Until June 1959		
D 133-12a	Arm, front, right and left-hand.	2	D 133-118	End thrust block, rubber, 51 x 30 x 30, 1 hole 12.5 mm diameter.	1	D 133-6	Flexible suspension block, rear without pin.	2
D 133-14	Rubber bearing for front bracket 14 mm diameter 20.5 mm. long.	12	D 331-87	Stud securing end thrust block bracket.	2	D 133-57	Distance piece, 12.5 x 18 x 38.5 for rear flexible block.	2
D 133-50	Rubber half bush, lower, for front suspension, length 58 mm, 32 mm high. Until January 1957. Since January 1957.	3 2	482-S	Screw, hex. head, 7 diameter x 12.5 long, fixing thrust block housing on front crossmember (R. III).	2	D 133-71	Upper locking cup for rear flexible block, 50 mm diameter, height 9 mm, 1 hole 12 mm diameter.	2
D 133-58	Packing for crossmember, front, upper, 1 mm thick.	As nec.	483-S	Screw, hex. head, 7 diameter x 15 long, securing centre cap (R. III).	4	DS 133-74	Rear suspension bracket, right-hand, hole for pin 12 mm diameter.	1
D 133-58a	Packing for crossmember, front, upper, 2 mm thick.	As nec.	518-S 30	Screw, hex. head pointed, 9 diameter x 30 long, securing upper front crossmember on sidemember (R. III).	6	DS 133-75	Rear suspension bracket, left-hand hole for pin 12 mm diameter.	1
D 133-59	<i>Rubber half bush, lower, for front suspension, length 58 mm, 27.4 mm high. Until January 1957. January 1957 - April 1963. Replaced by DS 133-59.</i>	3 2	521-S	Screw, hex. head, 9 diameter x 16 long, securing lower crossmember on front bracket (R. III).	4	D 133-84	Flexible buffer, lower for rear flexible block.	2
DS 133-59	Rubber half bush, lower, for front suspension, length 58 mm, 27.4 mm high, 2 cut-outs. Since April 1963.	2	530-S 30	Screw, hex. head pointed, 9 diameter x 22 long, securing right and left-hand caps on front bracket (R. III).	4	D 133-90	Bracket, rear, right-hand.	1
D 133-60a	Clamp, right and left-hand on upper front crossmember, four holes 10.75 mm diameter.	2	2.482-S	Washer, 7.5 x 14, for screw securing thrust block housing (R. III).	4	D 133-91	Bracket, rear, left-hand.	1
			611.018	Lockwasher, double, 10.3 diameter holes for left and right-hand cap screws (R. III).	4	D 133-92	Pin, 12 diameter x 195 long, with welded nut securing rear flexible block.	1
						DS 133-94	Protection cap for rear flexible block, left-hand with welded nut.	1
						D 133-107	Washer, 7.5 x 26 x 4, for nuts securing rear supports on reinforcements.	8

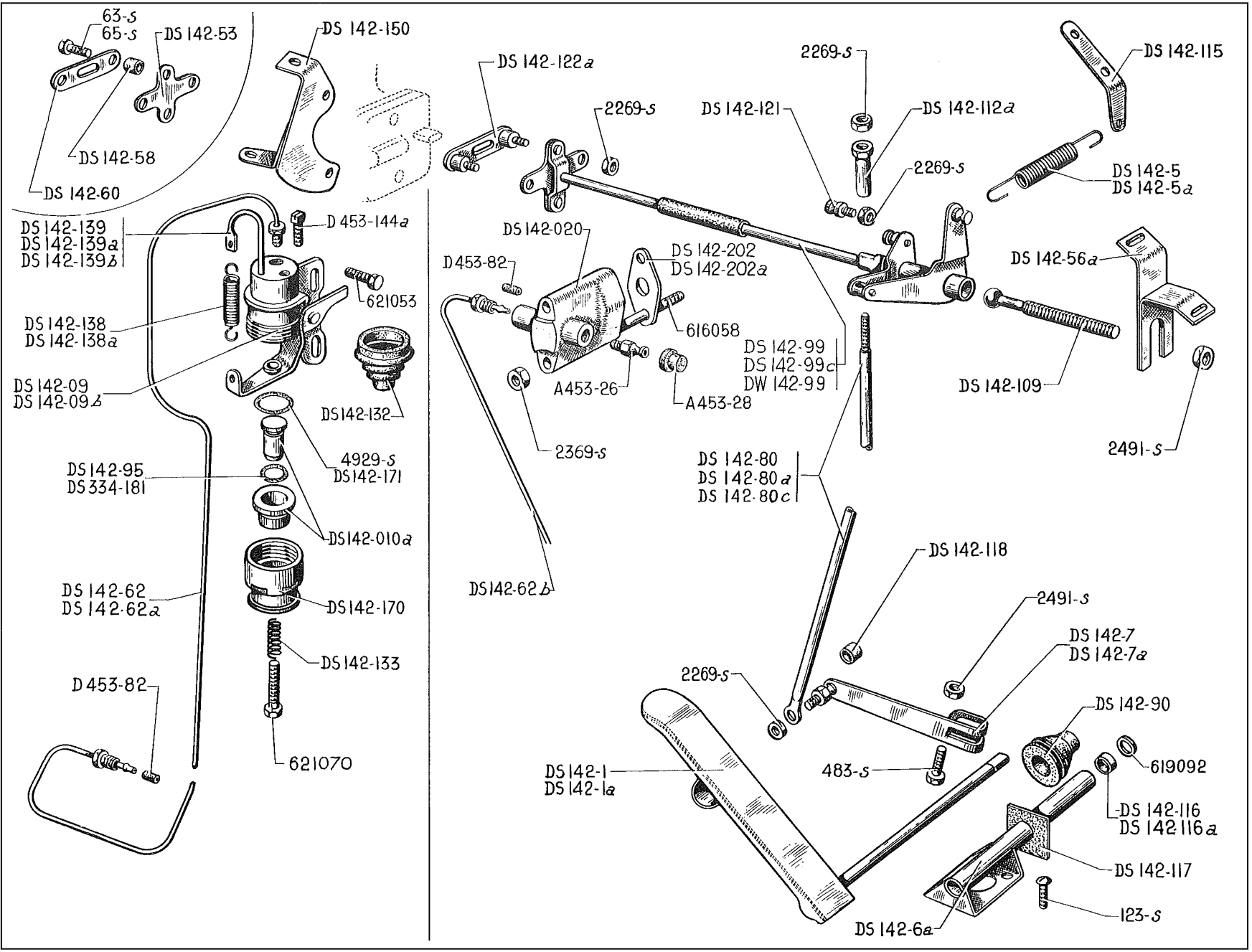
ENGINE AND GEARBOX SUSPENSION-25

NUMBER	DESCRIPTION	No. OFF	NUMBER	DESCRIPTION	No. OFF	NUMBER	DESCRIPTION	No. OFF
D 133-113	Cup with welded nut for lower buffer on rear flexible block, 32 mm diameter.	2		REAR OF ENGINE Since June 1959		DS 133-91a	Bracket, rear, left-hand. Since September 1962.	1
D 133-135	Washer, fibre, 12.5 x 43 x 6, with rubber washer stuck on for protecting rear flexible block.	2	DS 133-5	<i>Flexible suspension block, rear, with 16 mm bolt. Until September 1962. Replaced by DS 133-5b.</i>	2	DF 133-97	Shield protecting rear flexible suspension block, right-hand steering (R. VI). Until June 1964.	1
D 133-136	Packing for adjusting rear bracket.	As nec.	DS 133-5b	Flexible suspension block, rear, with 16 mm spindle (marked green). Since September 1962.	2	<u>DS 133-97</u>	Shield protecting rear flexible suspension block, right-hand (R. VI). All Types. Since June 1964.	1
518-S 30	Screw, hex. head, 9 diameter x 30 long, securing rear flexible block on bracket (R. III).	4	DS 133-66	Nut, round (2 flats), 16 diameter x 125 pitch, for adjustment of rear flexible block.	2	D 133-107	Washer, 7.5 x 26 x 4, for nuts securing rear supports on reinforcements.	8
665-S	Screw, hex. head, 8 diameter x 20 long, securing rear suspension block bracket on cylinder block (R. II).	2	DS 133-74a	Rear suspension bracket, right-hand, hole for 16 mm bolt. Until September 1962.	1	D 133-136	Packing for rear supports.	As nec.
844-S	Screw, hex. head, 10 diameter x 20 long, securing rear suspension block bracket on cylinder block (R. III).	4	DS 133-74c	Rear suspension bracket, right-hand, hole for 16 mm spindle. Since September 1962.	1	DS 133-139	Thrust plate for screws securing rear flexible block on engine bracket, 1 hole 9.5 diameter.	4
2.301-S	Nut, hex., 12 diameter x 125 pitch, for tightening lower end of flexible block centre bolt (R. III).	2	DS 133-75a	Rear suspension bracket, left-hand hole for 16 mm bolt. Until September 1962.	1	487-S 30	Screw, hex. head, pointed, 7 diameter x 25 long, securing rear brackets on reinforcements (R. III).	8
2.491-S	Nut, hex., 7 diameter x 100 pitch, for tightening rear bracket on reinforcements (R. III).	8	DS 133-75c	Rear suspension bracket, left-hand, hole for 16 mm spindle. Since September 1962.	1	518-S 30	Screw, hex. head, 9 diameter x 30 long, securing rear flexible block on bracket (R. III).	4
615.015	Nut, hex., 12 diameter x 125 pitch, for locking cup for rear flexible block (R. III).	2	DS 133-90	Bracket, rear, right-hand. Until September 1962.	1	665-S	Screw, hex. head, 8 diameter x 20 long, securing rear support arm on cylinder block (R. III).	2
615.019	Nut, hex., 12 diameter x 125 pitch, for tightening upper end of rear flexible block on arm (R. III).	2	DS 133-90a	Bracket, rear, right-hand. Since September 1962.	1	844-S	Screw, hex. head, 10 diameter x 20 long, securing rear support arm on cylinder block (R. III).	4
			DS 133-91	Bracket, rear, left-hand. Until September 1962.	1	2.491-S	Nut, hex., 7 diameter x 100 pitch, tightening rear supports on reinforcements (R. III).	8
						2.813-S	Washer, shakeproof, 16.5 x 26, for nut locking rear flexible block (R. VI).	2
						615.025	Nut, hex., 16 diameter x 125 pitch, locking rear flexible block (R. III).	2

The numbers underlined indicate new parts and do not appear on the illustration.

Catalogue No. 466 - June 1965.

28-ACCELERATOR CONTROL (LEFT-HAND STEERING)



26-ACCELERATOR CONTROL (LEFT-HAND STEERING)

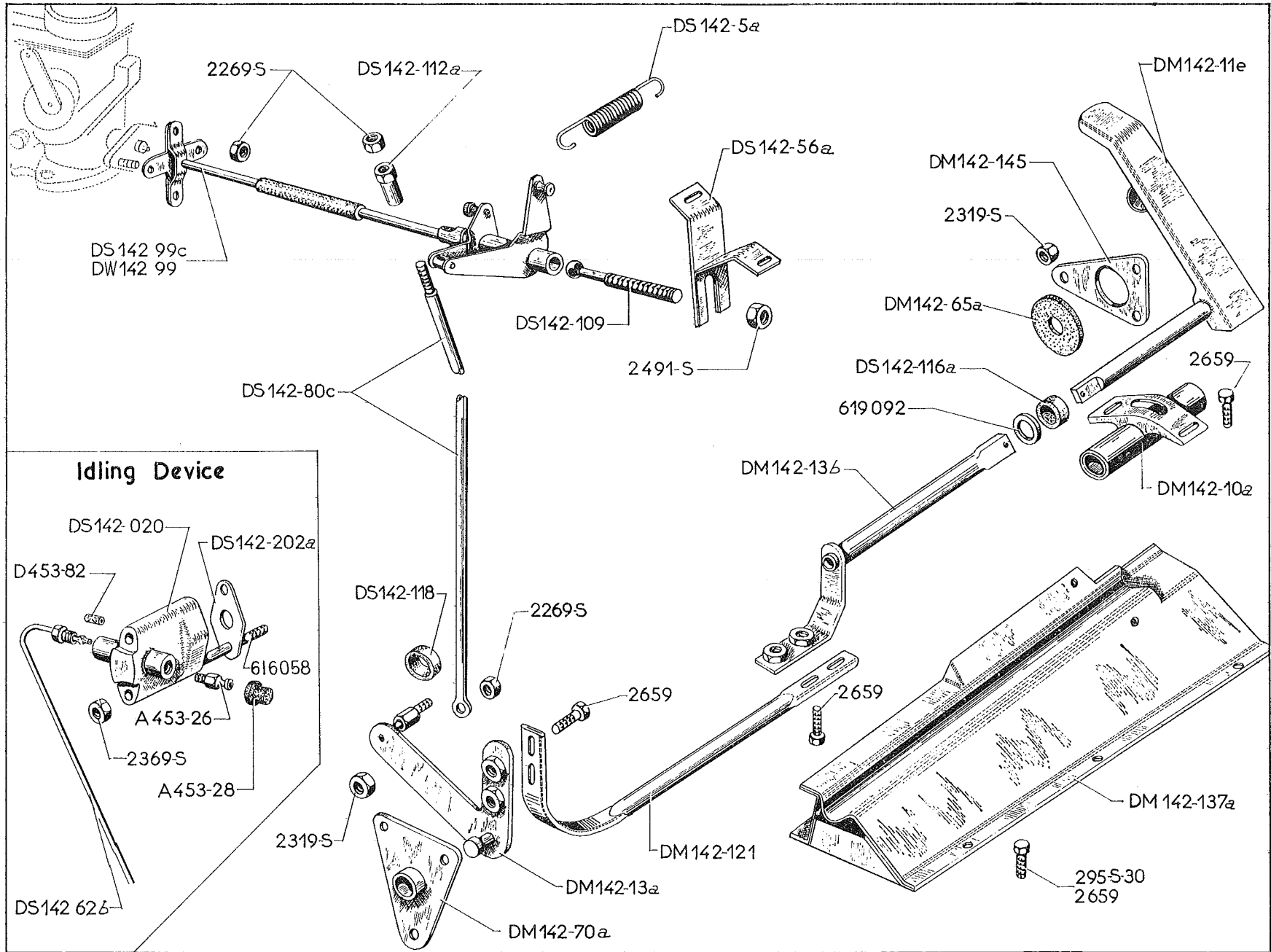
NUMBER	DESCRIPTION	No. OFF	NUMBER	DESCRIPTION	No. OFF	NUMBER	DESCRIPTION	No. OFF
A 453-26	Bleed screw for front brake left-hand on accelerated idling device. Since February 1961.	1	DS 142-7a	Lever on pedal shaft assembly with one ball joint). Since March 1956.	1	DS 142-99	<i>Intermediate control (assembly with two ball joints). Until March 1956. No longer supplied.</i>	1
A 453-28	Cap for bleed screw (R. VI). Since February 1961.	1	DS 142-53	<i>Flexible plate for carburettor control. Until March 1956. No longer supplied</i>	2	DS 142-99c	Intermediate control (assembly with 1 ball joint, 5 mm diameter. Since March 1956. Replaces other types with a ball joint. Hydraulic control.	1
DS 142-09	<i>Accelerated idling device. March 1956 - January 1959. Replaced by DS 142-09b, order in addition: 1-DS 142-62, 1-D 453-82.</i>	1	DS 142-56a	Metal bracket for accelerator control on scuttle.	1	DW 142-99	Intermediate accelerator control. DS Manual gear change control.	1
DS 142-09b	Accelerated idling device. January 1959 - February 1961.	1	DS 142-58	<i>Bush between driving plate and flexible plate for carburettor control. (5 x 8 x 8). Until March 1956. No longer supplied.</i>	2	DS 142-109	Ball pin for intermediate control 10 mm diameter, length 70 mm.	1
DS 142-010a	Cylinder with control piston for accelerated idling device. January 1959 - February 1961.	1	DS 142-60	<i>Carburettor actuating plate. Until March 1956. No longer supplied.</i>	1	DS 142-112a	Nut, hex., with shoulder, 4 diameter x 75 pitch, total length 15 mm for control rod adjustment. Until March 1956. Since March 1956.	2
DS 142-020	Body for accelerated idling device with piston and bleed screw, 48 mm long. Since February 1961.	1	DS 142-62	Pipe between idling control and left-hand front brake. January 1959 - July 1959.	1	DS 142-115	Anchor plate for accelerator control return spring.	1
DS 142-1	<i>Accelerator pedal, 178 mm long, height of stop 26 mm. Until September 1962. Replaced by DS 142-1a.</i>	1	DS 142-62a	Pipe between idling control and left-hand front brake. July 1959 - February 1961.	1	DS 142-116	<i>Rubber washer (anti-rattle) on pedal shaft (10.5 x 16 x 4). Until February 1959. Replaced by DS 142-116a.</i>	1
DS 142-1a	Accelerator pedal, height of stop 29 mm. Since September 1962.	1	DS 142-62b	Pipe between idling control and left-hand front brake. Since February 1961.	1	DS 142-116a	Felt washer (anti-rattle) on pedal shaft (9.5 x 17 x 5). Since February 1959.	1
DS 142-5	Return spring for accelerator pedal, 13.5 mm diameter, length 155 mm. Until September 1960.	1	DS 142-80	<i>Control rod, 610 mm. long (4 mm. diameter on 107 mm. of length). Until March 1956. No longer supplied.</i>	1	DS 142-117	Rubber sealing plate on pedal shaft. Until January 1959.	1
DS 142-5a	Return spring for accelerator pedal, 13.5 mm diameter, length 170 mm. Since September 1960.	1	DS 142-80a	<i>Control rod, 587 mm. long (4 mm. diameter on 85 mm. of length). Until December 1956. No longer supplied.</i>	1	DS 142-118	Rubber bush (anti-rattle) for control rod ball joint (11 x 16 x 11).	2
DS 142-6a	Bushed tube for pedal shaft, 97.5 mm long.	1	DS 142-80c	Control rod, 565 mm long (4 mm diameter on 50 mm of length). Since December 1956.	1	DS 142-121	Anchor peg for clutch engagement control spring. Until September 1957.	1
DS 142-7	Lever on pedal shaft (assembly with two ball joints). Until March 1956.	1	DS 142-90	Sealing sleeve for accelerator pedal shaft. Since January 1959.	1	DS 142-122a	<i>Distance piece between carburettor and intermediate control. March 1956 - December 1956. No longer supplied.</i>	1
			DS 142-95	Ring seal between piston and idling control cylinder (5.7 x 9.1 x 1.7) (R. VI). Until January 1959.	1	DS 142-132	Dust cover for idling control. March 1956 - February 1961.	1
						DS 142-133	Spring beneath idling control adjusting screw (5.5 x 7.5 x 5 coils). March 1956 - February 1961.	1

ACCELERATOR CONTROL (LEFT-HAND STEERING)-29

NUMBER	DESCRIPTION	No. OFF	NUMBER	DESCRIPTION	No. OFF	NUMBER	DESCRIPTION	No. OFF
DS 142-138	<i>Return spring for idling control. March 1956 - September 1960. Replaced by DS 142-138a; order in addition: 1-DS 142-139b.</i>	1	DS 334-181	<i>Ring seal, 10.5 x 15.9 x 2.7 between piston and cylinder of idling device (R. VI). January 1959 - February 1961. Replaced by 4.978-S.</i>	1	2.369-S	Nut, hex., 6 diameter x 100 pitch, securing accelerated idling control (R. III). Since February 1961.	2
DS 142-138a	Return spring for idling control, 54.5 mm long. September 1960 - February 1961.	1	D 453-82	Rubber lining for pipe connection between idling control and left-hand front brake (4.5 x 6.5 x 11). Since January 1959.	2	2.491-S	Nut, hex., 7 diameter x 100 pitch (R. III) securing: - support for accelerator control. - intermediate control ball joint. - lever on pedal.	2 2 1
DS 142-139	<i>Arm for idling control return spring. Until January 1959. No longer supplied.</i>	1	D 453-144a	Bleed screw for idling control (square head 5 x 17, head diameter 4 mm). March 1956 - February 1961.	1	4.929-S	Ring seal for cap of accelerated idling control body (18.7 x 22.5 x 1.9) (R. VI). March 1956 - January 1959.	1
DS 142-139a	<i>Arm for idling control return spring. January 1959 - September 1960. Replaced by DS 142-139b; order in addition: 1-DS 142-138a.</i>	1	63-S	Screw, hex. head, 4 diameter x 10 long, securing flexible plate on intermediate control rod (R. III). Until March 1956.	2	616.058	Stud, 6 diameter x 67 long, (threaded 10 and 12) securing idling control (R. I). Since February 1961.	2
DS 142-139b	Arm for idling control return spring. September 1960 - February 1961.	1	65-S	Screw, round head, 4 diameter x 15 long, securing flexible plate on carburettor actuating plate (R. III). Until March 1956.	2	619.092	Thrust washer, 10.5 x 16 x 1, for washer on pedal shaft (R. I).	1
DS 142-150	Bracket for idling control on Zenith carburettor (R. VI). December 1956 - March 1961.	1	123-S	Screw, round head, 5 diameter x 10 long, securing bearing on floor (R. III).	2	621.053	Screw, hex. head, 5 diameter x 0.8 pitch, length under head 20 mm securing idling control on carburettor (R. VI). March 1956 - February 1961.	2
DS 142-170	Nut, round, 26 diameter x 150 pitch, retaining idling control cylinder. January 1959 - February 1961.	1	<u>580-S</u>	Screw, hex. head, 7 diameter x 32.5 long, securing lever on pedal (R. III).	1	621.070	Screw, hex. head, 5 diameter x 26.5 long, for idling adjustment (R. I). March 1956 - February 1961.	1
DS 142-171	Ring seal, 16.7 x 20.5 x 1.9 between cylinder and body of idling control device. January 1959 - February 1961.	1	2.269-S	Nut, hex., 4 diameter x 75 pitch (R. III) securing: - flexible plate - control rod adjustment. Until March 1956. Since March 1956. - rod on lever. Until March 1956. Since March 1956. - anchor peg. Until September 1957.	2 2 1 4 2 1			
DS 142-202	<i>Joint, paper, between idling device and carburettor (R. VI). February 1961 - July 1962. Replaced by DS 142-202a.</i>	1						
DS 142-202a	Joint, copper, between idling control and carburettor (R. VI). Since July 1962.	1						

The numbers underlined indicate new parts which do not appear on the illustration.

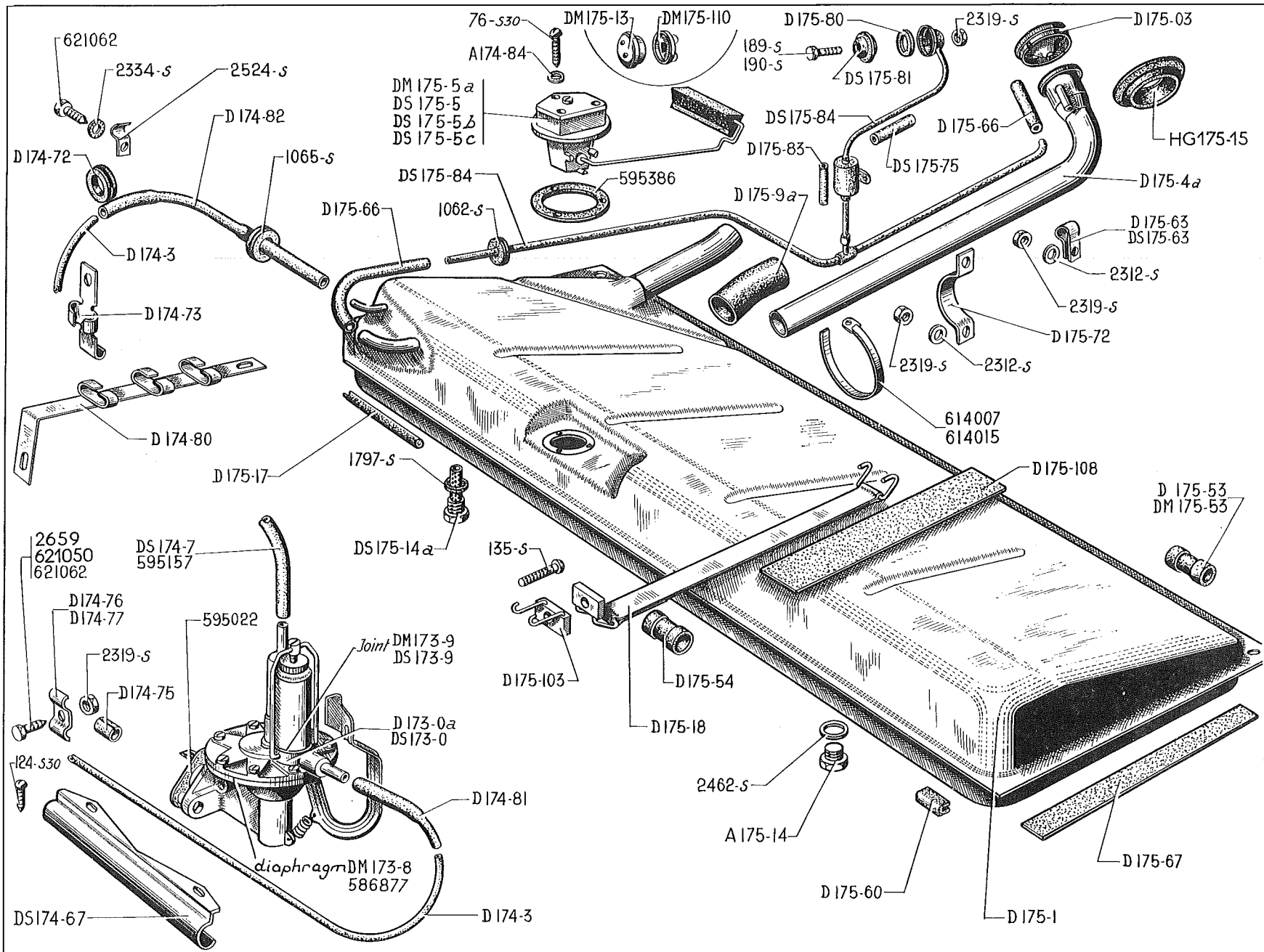
Catalogue No. 466 - March 1966.



30-ACCELERATOR CONTROL (RIGHT-HAND STEERING)

NUMBER	DESCRIPTION	No. OFF	NUMBER	DESCRIPTION	No. OFF	NUMBER	DESCRIPTION	No. OFF
DS 142-5a	Spring, return, for accelerator, 13, 5 x 170.	1	DS 142-116a	Felt washer, anti-rattle, for shaft of crank bearing (9.5 x 17 x 5).	1	IDLING DEVICE HYDRAULIC CONTROL		
DM 142-10a	Articulated bearing for accelerator pedal.	1	DS 142-118	Bush, anti-rattle, for control rod articulation, (11 x 16 x 11).	1	A 453-26	Bleed screw for front brake, left-hand on idling device.	1
DM 142-11e	Accelerator pedal with spindle, stop height 29 mm (R. VI).	1	DM 142-121	Connecting rod for crank levers (R. VI).	1	A 453-28	Cover for bleed screw (R. VI).	1
DM 142-13a	Control crank, left-hand (R. VI).	1	DM 142-137a	Bracket for accelerator control on floor (R. VI).	1			
DM 142-13b	Control crank, right-hand.	1	DM 142-145	Support plate for sealing plate. Until July 1965.	1	DS 142-020	Body of idling device with piston and bleed screw.	1
DS 142-56a	Metal bracket for accelerator control on scuttle.	1	<u>DX 142-145</u>	Closing plate for sealing plate, 2 holes 7 mm diameter x 66 mm between centres, (R. VI). Since July 1965.	1	DS 142-62b	Tube between idling control and left-hand front brake.	1
DM 142-65a	Rubber sealing plate for right-hand crank.	1	295-S 30	Screw, hex. head, 5 x 16, for securing control bracket (R. III).	2	DS 142-202a	Copper joint between idling device and carburettor (R. VI).	1
DM 142-70a	Bushed plate for control crank, left-hand (R. VI). Until July 1965.	1	2. 269-S	Nut, hex., 4 x 75 (R. III). - for carburettor relay. - for control rod.	2 2	D 453-82	Rubber covering for tube union between idling control and left-hand front brake (4.5 x 6.5 x 11).	2
<u>DM 142-70c</u>	Bushed plate for control crank, left-hand, 2 securing holes, (R. VI). Since July 1965.	1	2. 319-S	Nut, hex., 5 x 75, for securing the relay (R. III).	6	2. 369-S	Nut, hex., 6 x 100, for securing the idling device (R. III).	2
DS 142-80c	Control rod, 565 mm long (4 mm diameter for a length of 50 mm).	1	2. 491-S	Nut, hex., 7 x 100 (R. III). - for support on scuttle. - for swivel.	2 1	616.058	Stud, 6 x 67, (threaded 10 and 12) for securing the idling device (R. I).	2
DS 142-99c	Intermediate accelerator control, hydraulic drive.	1	2. 659	<i>Screw, hex. head, 5 x 13 (R. III). - for control support on floor. - for pedal bush. - for connecting rod. Replaced by 283-S.</i>	3 2 4			
DW 142-99	Intermediate accelerator control, mechanical drive.	1	619.092	Washer, 10.5 x 16 x 1, on pedal spindle (R. I).	1			
DS 142-109	Ball pin for intermediate control, 10 mm diameter x 75 mm long.	1						
DS 142-112a	Nut, hex., with shoulder, 4 x 75, total length 15 mm for control rod adjustment.	1						

32-PETROL SUPPLY-PETROL TANK-PUMP-PIPING



PETROL SUPPLY-PETROL TANK-PUMP-PIPING-33

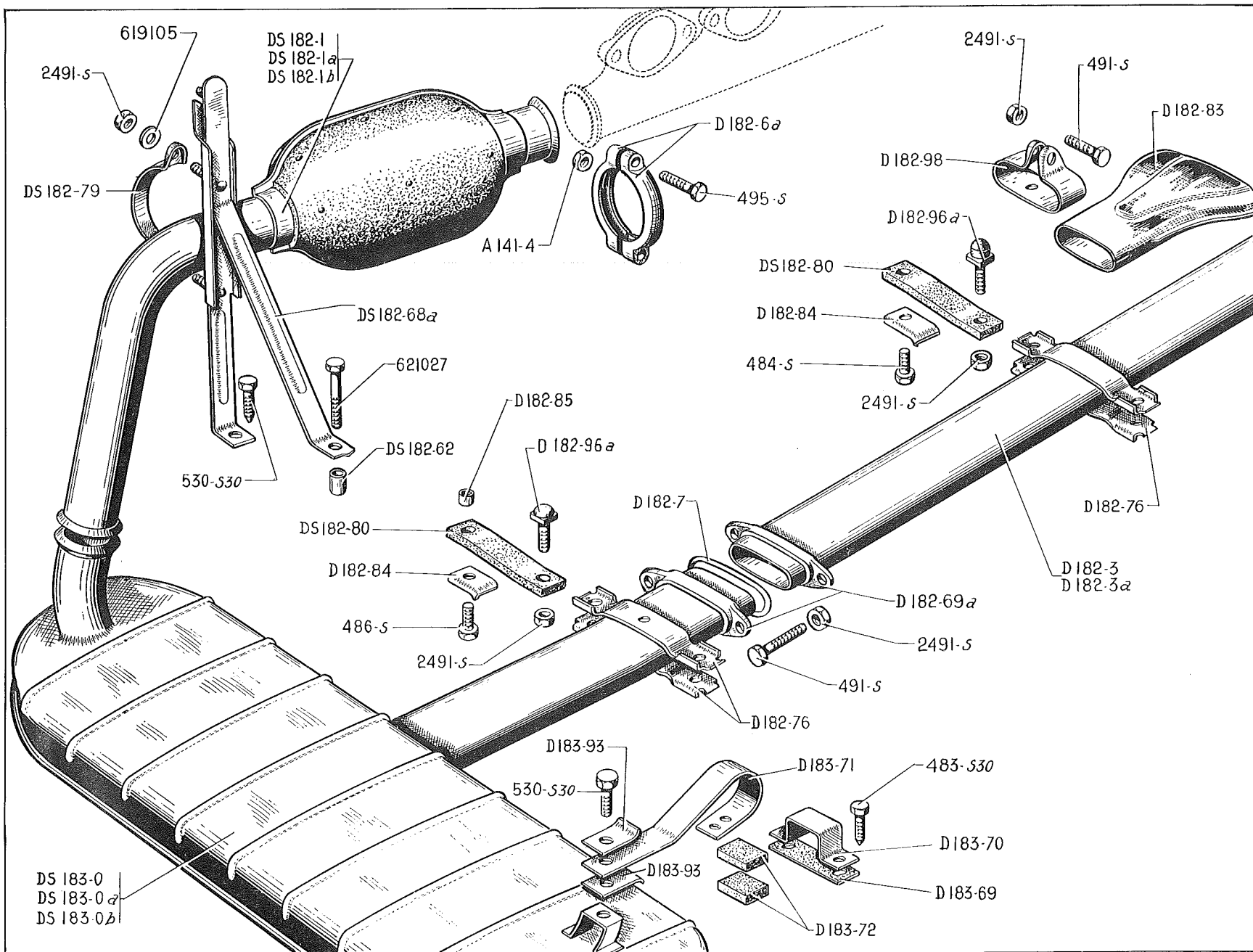
NUMBER	DESCRIPTION	No. OFF	NUMBER	DESCRIPTION	No. OFF	NUMBER	DESCRIPTION	No. OFF
A 174-84	Joint, fibre, 4.5 x 8 x 0.5, for petrol gauge tank unit (R. VI).	3	D 174-76	Flexible clip with welded screw for securing flexible feed pipe. Until September 1962.	2	DS 175-14a	Drain plug with filter and joint, reserve side, (20 x 150), 21 mm across flats (R. VI).	1
A 175-14	Drain plug, 8 diameter x 100 pitch, length under head 7 mm (R. VI).	1	D 174-77	Clip, double, securing flexible feed pipe. Until September 1962. Since September 1962.	4 7	D 175-17	Sealing strip for petrol tank housing panel (R. VI).	3
HG 175-15	Collar, 34 x 84 x 15, for filler pipe.	1	D 174-80	Support for flexible petrol feed pipe on front pillar.	1	D 175-18	Strap for securing reservoir.	2
D 173-0a	Petrol pump AC (R. VI).	1	D 174-81	Rubber elbowed connection for flexible pipe on petrol pump.	1	D 175-53	Transverse rubber packing tube for tank, 298 mm long. Until January 1958.	2
DS 173-0	Petrol pump GUIOT (R. VI).	1	D 174-82	Rubber connection, 6 x 15, for flexible pipe on tank, 280 mm long.	1	DM 175-53	Transverse rubber packing tube for tank, 47 mm long. Since January 1958.	4
<u>DS 173-2</u>	Filter element (RELLUMIX)(R. VI).	1	D 175-03	Petrol tank filler cap (R. VI).	1	D 175-54	Rear rubber packing tube for tank strap 45 mm long.	2
DM 173-8	Diaphragm for AC petrol pump (R. VI).	1	D 175-1	Petrol tank, 65 litres (R. VI).	1	D 175-60	Rubber packing piece for tank, 40 mm long (R. VI).	6
DM 173-9	Joint for filter bowl, AC petrol pump (R. VI).	1	D 175-4a	Petrol filler tube (R. VI).	1	D 175-63	<i>Clip securing air vent pipe. Until February 1958. No longer supplied.</i>	2
DS 173-9	Joint for filter bowl, GUIOT petrol pump (R. VI).	1	DS 175-5	Petrol gauge tank unit, 6 volts "Jaeger" (R. VI). Until September 1960.	1	DS 175-63	Clip securing air vent pipe (R. VI). Since February 1958.	2
D 174-3	Flexible pipe (Nylon) feeding petrol from tank to pump (R. VI).	1	DM 175-5a	Petrol gauge tank unit, 12 volts, "Jaeger" (R. VI). Since September 1961.	1	D 175-66	Connecting sleeve, rubber, 11 x 18 x 147, for air vent pipe.	2
DS 174-7	Flexible rubber pipe between pump and carburettor, length 320 mm. Until September 1960. Since September 1962.	1 1	DS 175-5b	Petrol gauge tank unit, "ED" "Veglia" (R. VI). May 1957 - January 1958.	1	D 175-67	Rubber strap beneath tank, 380 x 25 x 2.	5
DS 174-67	Shield protecting flexible petrol feed pipe. Until September 1962.	1	DS 175-5c	Petrol gauge tank unit, 12 volts, "Jaeger" (R. VI). Until September 1961.	1	D 175-72	Clip securing filler tube, 39 mm high, 2 slots 60 mm between centres.	1
D 174-72	Rubber grommet, 25 x 40 x 11, carrying flexible feed pipe on centre pillar.	2	D 175-9a	Rubber elbow connection, filler tube to tank, 38 x 47, length 163 mm.	1	DS 175-75	Rubber sleeve, 4 x 8 x 30, for air vent tube protection. Since February 1958.	3
D 174-73	Bracket for flexible feed pipe on sidemember.	1	DM 175-13	Filter for petrol tank air vent pipe (R. VI). Export. Since May 1960.	1	D 175-80	Rubber washer, 19 x 29 x 3, sealing cup on air vent pipe.	1
D 174-75	Split rubber bush, 6 x 10 x 15, for protection on flexible petrol feed pipe.	11				DS 175-81	Outer cup for air vent tube (R. VI). Since February 1958.	1

The numbers underlined indicate new parts which do not appear on the illustration.

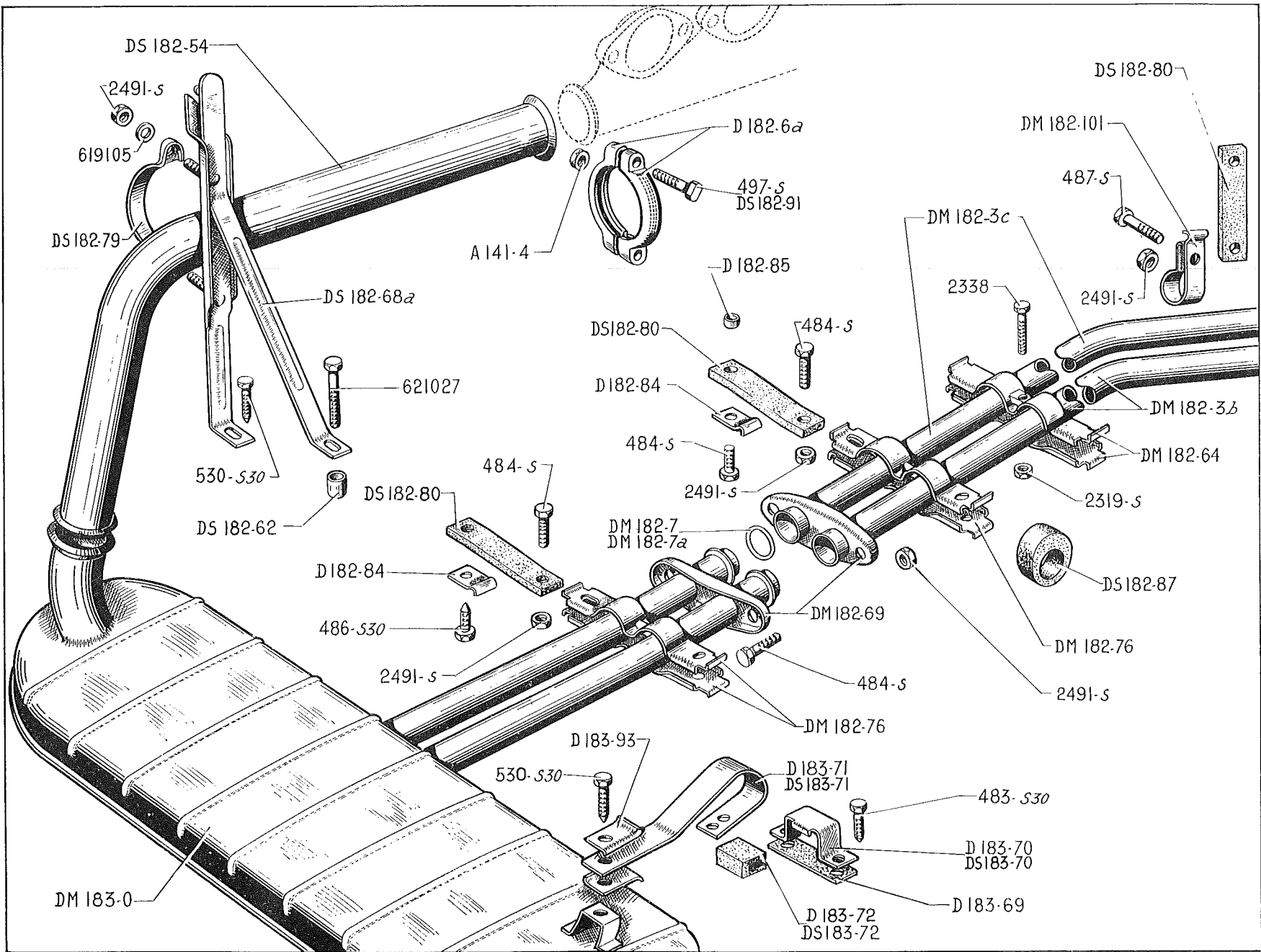
34-PETROL SUPPLY-PETROL TANK-PUMP-PIPING

NUMBER	DESCRIPTION	No. OFF	NUMBER	DESCRIPTION	No. OFF	NUMBER	DESCRIPTION	No. OFF
D 175-83	<i>Connecting sleeve, rubber, for air vent tube (2.5 x 9 x 40). Until February 1958. No longer supplied.</i>	1	1.062-S	Grommet, rubber, 12 x 21 x 5, for air vent pipe (R. III).	2	2.659	Screw, hex. head, 5 diameter x 13 long, securing double plate on crossmember (R. III). Since September 1962.	3
DS 175-84	Air tube on tank (Rilsan) (R. VI). Since February 1958. Replaces earlier type; order in addition: 2-DS 175-63, 3-DS 175-75, 1-190-S (R. III).	1	1.065-S	Grommet, rubber, 22 x 18 x 8, for flexible feed pipe on body (R. III).	3	586.877	Diaphragm for GUIOT petrol pump (R. VI).	1
D 175-103	Front support on body for tank strap.	2	1.797-S	Joint, fibre, 20.4 x 26 x 2, for drain plug, reserve side (R. VI).	1	595.022	Joint between pump and cylinder block, 66 mm between hole centres (R. VI).	1
D 175-108	Protecting piece for tank, 540 mm, 50 mm wide.	2	2.312-S	Washer, 5.5 x 12 (R. III) for nuts securing: - filler tube clip. - air vent tube.	2 2	595.157	Flexible rubber pipe between pump and carburettor, 200 mm long (R. VI). September 1960 - September 1962.	1
DM 175-110	Support for air filter for tank (R.VI). Export. Since May 1960.	1	2.319-S	Nut, hex., 5 diameter x 75 pitch (R. III) securing: - filler tube clip. - air vent tube. - air vent cup screw. - plate with welded screw.	2 2 1 2	595.386	Joint, rubber, 36 x 55 x 2 (3 holes 4.5 diameter) for petrol gauge tank unit (R. VI).	1
76-S 30	Screw, round head, 4 diameter x 30 long, securing petrol gauge tank unit "Jaeger" (R. III).	3	2.334-S	Washer, shakeproof, 5.2 x 9.4, for screws securing clips (R. VI). - Until September 1962. - Since September 1962.	7 13	614.007	Clip securing connecting sleeve on air vent pipe, 190 mm long (R. VI).	4
124-S 30	Screw, round head, 5 diameter x 12.5 long, securing protection plate for flexible feed pipe (R. III). Until September 1962.	4	2.462-S	Joint, fibre, 8.2 x 12 x 1, for drain plug (R. VI).	1	614.015	Clip securing connecting sleeve, 360 mm long (R. VI).	2
135-S	Screw, round head, 5 diameter x 40 long, securing tank straps (R. III).	2	2.524-S	Clip, single, securing flexible feed pipe (R. III).	1	621.050	Screw, hex. head, 5 diameter x 20 long, securing double plate on sidemember (R. IV). Since September 1962.	7
189-S	Screw, raised head, countersunk, 5 diameter x 25 long, securing cup for air vent pipe (R. III). Until February 1958.	1				621.062	Screw, hex. head, 5 diameter x 14 long, securing clip for flexible feed pipe (R. III). Until September 1962.	6
190-S	Screw, raised head countersunk, 5 diameter x 35 long, securing cup (R. III). Since February 1958.	1						

36-EXHAUST



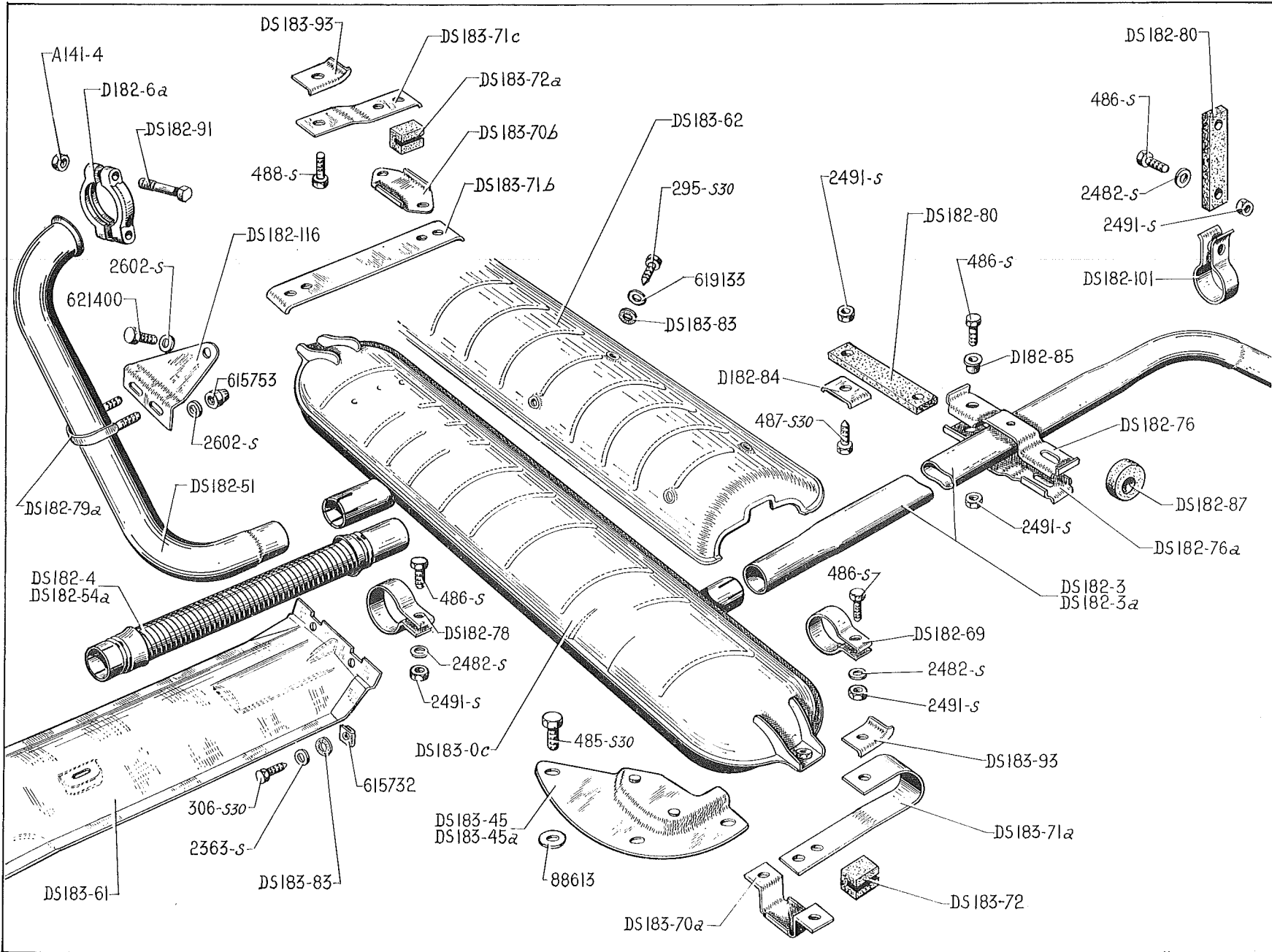
NUMBER	DESCRIPTION	No. OFF	NUMBER	DESCRIPTION	No. OFF	NUMBER	DESCRIPTION	No. OFF
	Until February 1958							
A 141-4	Nut, hex. 7 diameter 100 pitch securing half clips.	4	DS 182-79	Clip securing expansion chamber on bracket.	1	D 183-93	Plate securing silencer spring, 1 hole 9.5 mm.	2
DS 182-1	<i>Expansion chamber. Until February 1956. Replaced by DS 182-54; order in addition: 1-DS 181-1a, 1-DS 181-4b, 1-DS 181-5b, 1-DS 181-6a, 1-DS 183-0b, 1-D 182-3a (R. VI).</i>	1	DS 182-80	Rubber strip 90 x 30 x 8 securing exhaust pipe under body, 2 holes 10.2 diameter at 62 mm between centres (without distance piece).	6	483-S-30	Screw, hex. head 7 diameter 15 long, securing clamp holding silencer spring support (R. III).	2
DS 182-1a	<i>Expansion chamber. February 1956 - June 1957. Replaced by DS 182-54.</i>	1	D 182-83	Fish tail for exhaust pipe.	1	484-S	Screw, hex. head 7 diameter 17.5 long (R. III) assembling : - half clips centre and rear for exhaust pipe on silencer. - rubber strips for exhaust pipe on body at rear.	4 2
DS 182-1b	<i>Expansion chamber without horn protection shield. Since June 1957. Replaced by DS 182-54.</i>	1	D 182-84	Plate for rubber strips securing exhaust pipe under body (28 x 28 x 1.5) 1 hole 7.5 mm (R. VI).	6	486-S	Screw, hex. head 7 diameter 22.5 long, securing rubber strips for exhaust pipe on the front and centre of the body (R. III).	4
D 182-3	Exhaust outlet pipe under body 3, 420 mm long. Until November 1956. (R. VI).	1	D 182-85	Distance piece for tightening strap (R. VI).	12	491-S	Screw, hex. head 7 diameter 35 long (R. III) securing : - clip for fish tail on exhaust pipe. - assembling exhaust pipes.	1 2
D 182-3a	Exhaust outlet pipe under body without clip, 3, 336 mm long (R. VI). Since November 1956.	1	D 182-96a	Screw, square head 7 diameter 21 long with rubber buffer 15 mm thick assembling centre and rear half clips on exhaust pipes.	4	495-S	Screw, hex. head 7 diameter 45 long, for half clips securing expansion chamber (R. III).	4
D 182-6a	Half clip for assembling expansion chamber on manifold and silencer.	4	D 182-98	Clip securing fish tail to exhaust pipe.	1	530-S-30	Screw, hex. head pointed 9 diameter 22 long (R. III) securing : - expansion chamber bracket - spring on support for silencer	1 1
D 182-7	Joint, oval between exhaust pipe and outlet pipe under body (R. VI).	1	DS 183-0	<i>Exhaust silencer. Until February 1956. Replaced by DS 183-0b; order in addition: 1-DS 181-1a, 1-DS 181-4b, 1-DS 181-5b, 1-DS 181-6a, 1-DS 182-54, 1-D 182-3a (R. VI).</i>	1	2.491-S	Nut, hex. 7 diameter 100 pitch (R. III) for tightening : - clip to expansion chamber bracket - screws assembling the half clips on exhaust pipe. - exhaust pipe assembly. - screw securing fish tail to exhaust pipe.	2 6 2 1
DS 182-62	Distance piece 9.5 x 18 x 18 for bracket securing expansion chamber.	1	DS 183-0a	<i>Exhaust silencer. February 1956 - November 1956. Replaced by DS 183-0b; order in addition: 1-D 182-3a (R. VI).</i>	1	619.105	Washer 7.5 x 14 x 2 for nuts securing expansion chamber to bracket (R. III).	2
DS 182-68a	Bracket for clip for expansion chamber, with welded screws and bonnet support plate.	1	DS 183-0b	Exhaust silencer, length of outlet pipe 760 mm. Since November 1956.	1	621.027	Screw, hex. head 9 diameter 50 long securing bracket for expansion chamber (R. III).	1
D 182-69a	Flanged end on silencer pipe and outlet pipe (R. VI).	2	D 183-69	Fibre plate 72 x 35 x 2 between crossmember and clamp securing silencer spring support (R. VI).	1			
D 182-76	Half clip securing exhaust pipe under body.	6	D 183-70	Clamp securing silencer spring support.	1			
			D 183-71	Spring support for silencer.	1			
			D 183-72	Rubber packing piece 35 x 27 x 10 positioning silencer spring support.	2			



38-EXHAUST

NUMBER	DESCRIPTION	No. OFF	NUMBER	DESCRIPTION	No. OFF	NUMBER	DESCRIPTION	No. OFF
	February 1958-September 1962							
A 141-4	Nut, hex., 7 diameter x 100 pitch, securing half clips.	4	DS 182-80	Rubber strap 90 x 30 x 8 securing outlet pipes under body, 2 holes 10, 2 mm at 62 mm between centres (without distance pieces).	5	D 183-93	Plate securing silencer spring support, 40 x 27 x 1.8, one hole 9.5 mm.	2
DM 182-3b	Outlet pipe (steel), left-hand. Since May 1960 (R. VI). Replaces aluminium pipe; order in addition: 1-DM 182-7a (R. VI).	1	D 182-84	Plate, 28 x 28 x 1.5, one hole 7.5 mm diameter securing rubber straps for outlet pipes (R. VI).	4	483-S 30	Screw, hex. head, 7 diameter x 15 long, securing clamp holding silencer spring support (R. III).	2
DM 182-3c	Outlet pipe (steel), right-hand. Since May 1960 (R. VI). Replaces aluminium pipe; order in addition: 1-DM 182-7a (R. VI).	1	D 182-85	Distance piece 8 x 10 x 7 for rubber straps (R. VI).	8	484-S	Screw, hex. head, 7 diameter x 17.5 long (R. III) for assembling: - clamp for outlet pipes. - half clips, front and centre for outlet pipes. - rubber strips for centre and rear supports.	2 4 3
D 182-6a	Half clip for assembling expansion chamber with pipe.	4	DS 182-87	Rubber buffer protecting outlet pipes.	6	486-S 30	Screw, hex. head, 7 diameter x 22.5 long, pointed for tightening rubber strips on the silencer outlet pipes (R. III).	2
DM 182-7	Joint, round, 28 x 35 x 3.5, between exhaust pipe and outlet pipe under body (R. VI). Until May 1960.	2	DS 182-91	Screw, round head (2 flats) for half clips securing front pipe on manifold and expansion chamber. Since May 1960.	4	487-S	Screw, hex. head, 7 diameter x 25 long, for tightening rear clips for outlet pipes (R. III).	1
DM 182-7a	Joint, round (copper) 28 x 35 x 3.5 between exhaust pipe and outlet pipe (R. VI). Since May 1960.	2	DM 182-101	Clip securing rear of outlet pipes.	2	497-S	Screw, hex. head, 7 diameter x 50 long, for tightening half clips securing front pipe (R. III). Until May 1960.	4
DS 182-54	Front pipe without expansion chamber, non-developed length 623 mm. Since November 1959.	1	DM 183-0	Exhaust silencer.	1	530-S 30	Screw, hex. head, pointed, 9 diameter x 22 long, securing (R. III): - clip support for front pipe. - spring on support plate for silencer.	1 1
DS 182-62	Distance piece, 9.5 x 18 x 18, for bracket carrying clip securing expansion chamber.	1	D 183-69	Fibre plate, 72 x 35 x 2 between crossmember and clamp securing silencer spring support (R. VI). Until March 1959.	1	D 183-70	Clamp securing silencer spring support, 52 mm between centres. Until March 1959.	1
DM 182-64	Half clip securing rear of outlet pipes. Until June 1961. Since June 1961.	2 4	DS 183-70	Clamp securing silencer spring support, 60 mm between centres. Since March 1959.	1	2,319-S	Nut, hex., 5 diameter x 75 pitch, for screws securing rear half clips for outlet pipes (R. III).	1
DS 182-68a	Bracket for clip of expansion chamber with welded screws.	1	D 183-71	Silencer spring support, total length 111 mm. Until March 1959.	1	2,338	Screw, hex. head, 5 diameter x 20 long, securing rear half clips for outlet pipes (R. III). Until June 1961. Since June 1961.	1 2
DM 182-69	Flange for assembling outlet pipes.	2	DS 183-71	Silencer spring support, total length 115 mm. Since March 1959.	1	2,491-S	Nut, hex., 7 diameter x 100 pitch (R. III) securing: - clip to expansion chamber bracket and front pipe on bracket. - rubber strip on front half clip, centre and rear half clips. - rear outlet pipe clips.	2 6 2
DM 182-76	Half clip securing outlet pipes under body.	4	D 183-72	Rubber packing piece 35 x 27 x 10 for positioning silencer spring support. Until March 1959.	2	619.105	Washer, 7.5 x 14 x 2 for nut securing expansion chamber clip on bracket (R. III).	2
DS 182-79	Clip securing expansion chamber on bracket.	1	DS 183-72	Rubber packing piece, slotted 35 x 23.5 x 17 for positioning silencer spring support. Since March 1959.	2	621.027	Screw, hex. head, 9 diameter x 50 long, securing bracket for expansion chamber (R. III).	1

40-EXHAUST



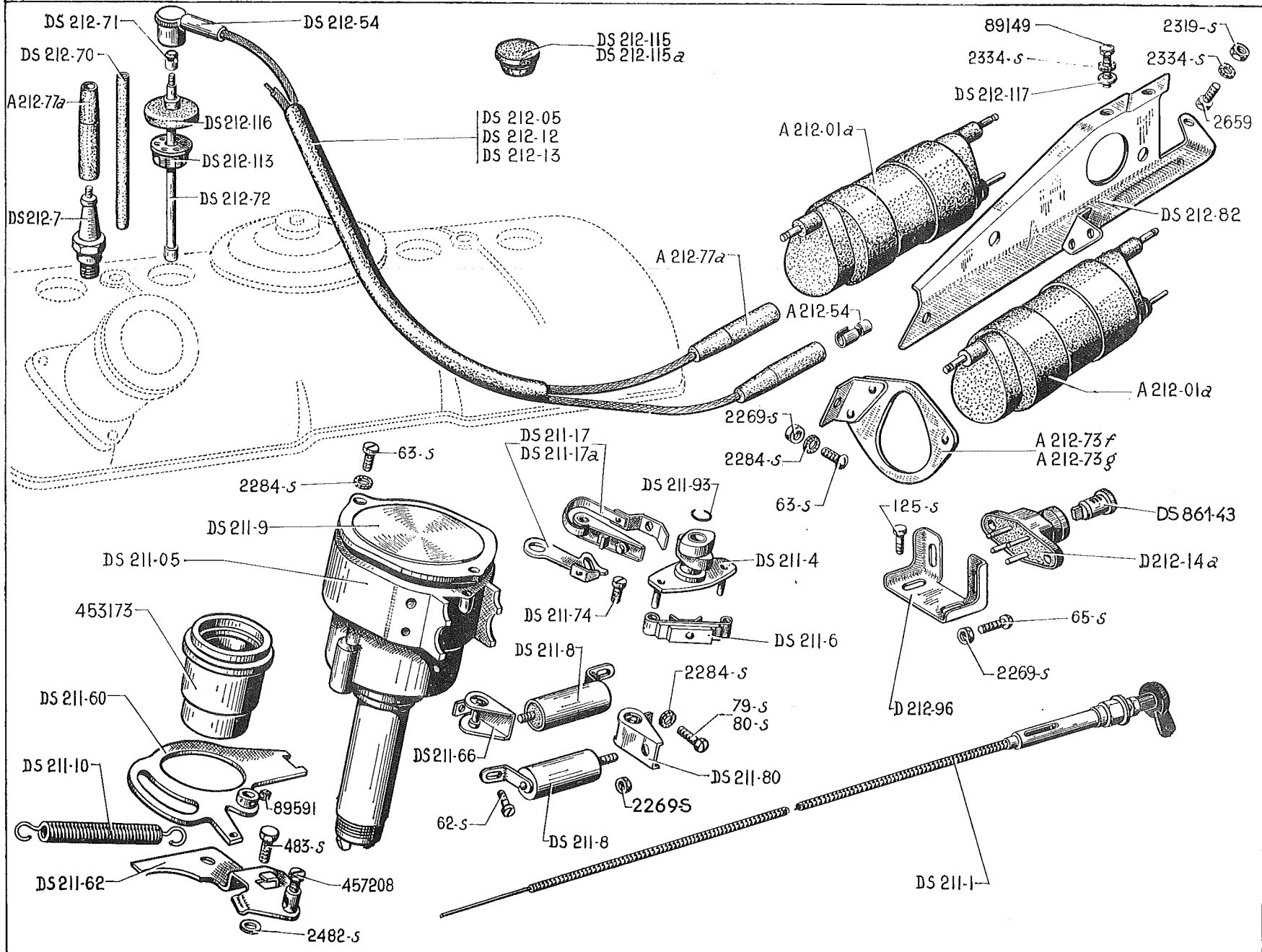
NUMBER	DESCRIPTION	No. OFF	NUMBER	DESCRIPTION	No. OFF	NUMBER	DESCRIPTION	No. OFF
	Since September 1962							
A 141-4	Nut, hex., 7 x 100, securing half clips.	2	D 182-84	Plate, 28 x 28 x 1.5, one hole 7.5 diameter securing rubber band (R. VI).	2	DS 183-71b	Lower spring, right-hand, for silencer suspension. Since October 1962.	1
DS 182-3	Outlet pipe under body (R. VI). L.H. steering.	1	D 182-85	Distance piece, 10 x 8 x 7, for rubber band (R. VI). L.H. steering. R.H. steering.	6 8	DS 183-71c	Upper spring, right-hand, for silencer suspension. Since October 1962.	1
DS 182-3a	Outlet pipe under body (R. VI). R.H. steering.	1	DS 182-87	Buffer, rubber for protection of outlet pipe. L.H. steering. R.H. steering.	2 4	DS 183-72	Rubber packing, split, 35 x 23.5 x 17, retaining spring supports for silencer. Right and left-hand. September 1962 - October 1962. Left-hand. Since October 1962. Lower spring, right-hand. Since October 1962.	4 2 4
DS 182-4	Intermediate inlet pipe to silencer (R. VI). Since January 1963.	1	DS 182-91	Screw, round head, (2 flats) for half clips assembling connecting pipe on front pipe.	2	DS 183-72a	Rubber packing, split, 35 x 23.5 x 17, retaining upper spring support right-hand, for silencer (white paint mark). Since October 1962.	2
D 182-6a	Half clip assembling connecting pipe on front pipe.	2	DS 182-101	Clip securing outlet pipe under body (rear part). L.H. steering.	1	DS 183-83	Washer, (fibre), 24 x 8.2 x 2, for the screws securing the shields (R. VI).	8
DS 182-51	Front exhaust pipe.	1	DS 182-116	Plate securing front exhaust pipe.	1	DS 183-93	Plate, 40 x 27 x 1.8, one hole 7.5 diameter, securing silencer spring support.	4
DS 182-54a	<i>Connecting pipe between front pipe and silencer. Until January 1963. Replaced by DS 182-4.</i>	1	<u>DS 182-124</u>	Shield for gusset on engine bracket, R. H.	1	295-S 30	Screw, hex. head, pointed, 5 diameter x 16 long, securing shields (R. III).	8
DS 182-69	Clip securing outlet pipe under body (front part).	1	<u>DS 182-125</u>	Washer, fibre, for insulating shield for gusset on engine bracket (R. VI).	5	306-S 30	Screw, hex. head, pointed, 6 diameter x 20 long, securing shield for connecting pipe on shield for silencer (R. III).	2
DS 182-76	Half clip, upper, securing outlet pipe under body. L.H. steering. R.H. steering.	1 2	DS 183-0c	Exhaust silencer.	1	485-S 30	Screw, hex. head, pointed, 7 diameter x 20 long, securing clamp supports (R. III).	6
DS 182-76a	Half clip, lower, securing outlet pipe under body. L.H. steering. R.H. steering.	1 2	DS 183-45	Support clamp, securing silencer spring support, left-hand.	1	486-S	Screw, hex. head, 7 diameter x 22.5 long (R. III) securing : - clip on connecting pipe. - clip on outlet pipe. - flexible band on support and clip. L.H. steering.	2 3 2
DS 182-78	Clip assembling connecting pipe on front pipe and silencer.	2	DS 183-45a	Support clamp, securing silencer spring support, right-hand.	1			
DS 182-79a	Clip securing connecting pipe.	1	DS 183-61	<i>Shield for connecting pipe. Replaced by DX 183-61.</i>	1			
DS 182-80	Band, rubber, 90 x 30 x 8, for outlet pipe under body, 2 holes 10.2 diameter, 62 mm between centres. L.H. steering. R.H. steering.	3 4	DS 183-62	<i>Shield for exhaust silencer. Replaced by DX 183-62.</i>	1			
			DS 183-70a	Clamp, securing silencer spring support. September 1962 - October 1962. Since October 1962.	2 4			
			DS 183-70b	Intermediate plate between upper and lower spring clamp. Since October 1962.	2			
			DS 183-71a	Spring support for silencer. Right and left-hand. September 1962 - October 1962. Left-hand. Since October 1962.	2 1			

The numbers underlined indicate new parts which do not appear on the illustration.

42-EXHAUST

NUMBER	DESCRIPTION	No. OFF	NUMBER	DESCRIPTION	No. OFF	NUMBER	DESCRIPTION	No. OFF
487-S 30	Screw, hex. head, pointed, 7 diameter x 25 long, securing flexible band under body (R. III). L.H. steering. R.H. steering.	2 4	2.491-S	Nut, hex., 7 x 100, for securing (R. III): - fixing clips. - clamp on support. - flexible bands. L.H. steering. R.H. steering.	5 4 2 4	615.732	Nut clips for screws securing screen for connecting pipe on silencer shield (R. VI).	2
488-S	Screw, hex. head, 7 diameter x 28 long, securing plate tightening silencer spring support (R. III).	2	2.602-S	Washer, plain, 10.5 x 22, for screw securing front pipe on plate (R. III).	1	615.753	Nut, special for tightening clip on plate fixing front pipe (R. VI).	2
2.363-S	Washer, plain, 6.5 x 14, for screws securing shield for connecting pipe on shield for silencer (R. III).	2	88.613	Washer, plain, 7.5 x 30 x 2.4, for screw securing clamp support (R. III).	6	619.133	Washer, plain, 5.25 x 15 x 1.5, for screws securing shields (R. VI).	8
2.482-S	Washer, plain, 7.5 x 14, for screws securing clip and flexible band (R. III). L.H. steering. R.H. steering.	11 13				621.400	Screw, 10 diameter x 28 long, tightening plate securing front pipe (R. III).	1

CONTACT BREAKER AND DUCELLIER COIL-IGNITION CIRCUIT-IGNITION CONTROL-47



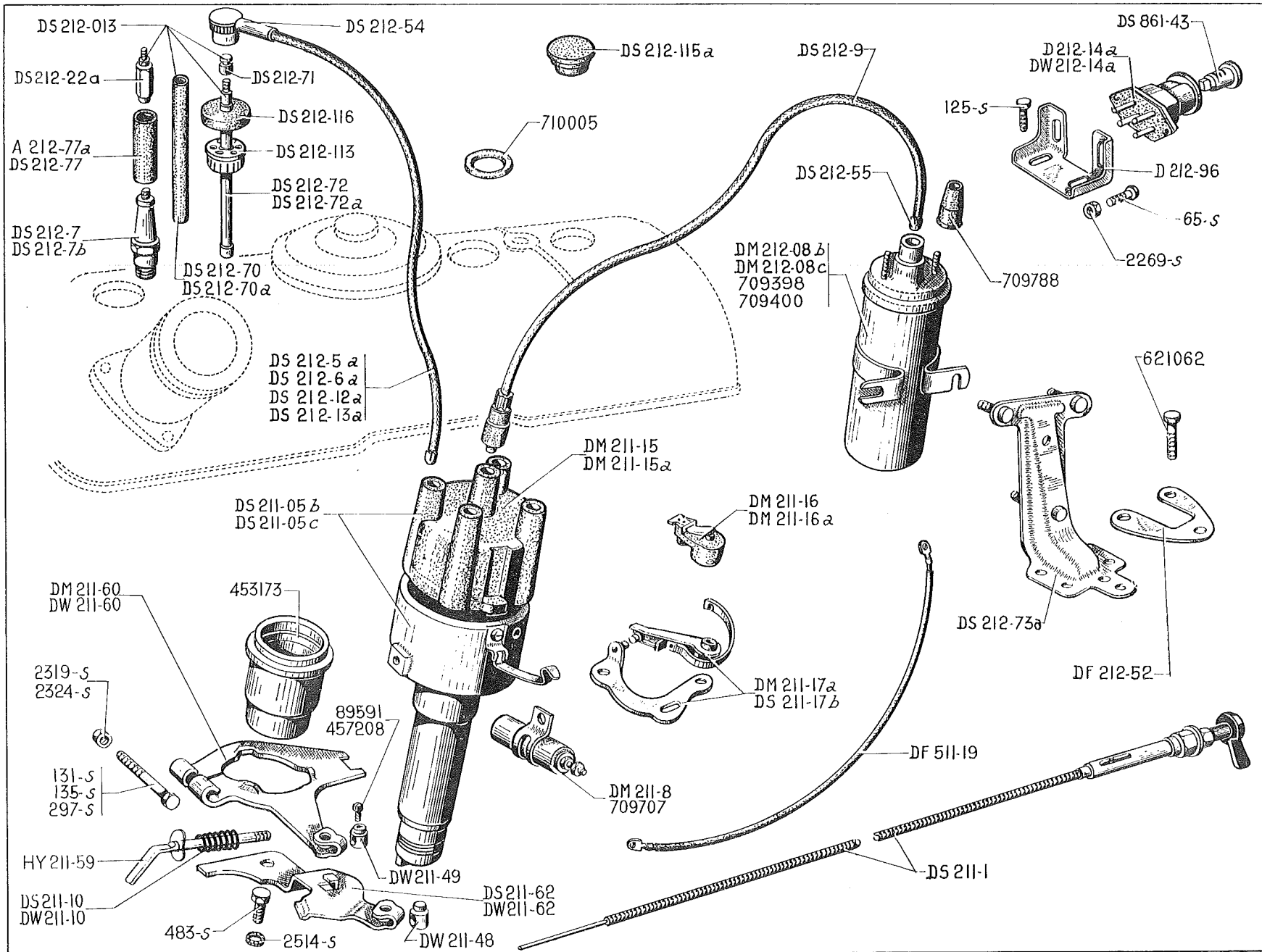
CONTACT BREAKER AND DUCELLIER COIL-IGNITION CIRCUIT-IGNITION CONTROL-45

NUMBER	DESCRIPTION	No. OFF	NUMBER	DESCRIPTION	No. OFF	NUMBER	DESCRIPTION	No. OFF
	Until July 1959							
A 212-01a	<i>Ignition coil with flexible insulation. Replaced by AZU 212-01 (R. VI); order in addition: 2-AZ 511-32 (R. VI).</i>	2	DS 211-62	Bracket with trunnion for holding contact breaker.	1	DS 212-113	Plug for sparking plug tube (R. VI).	4
A 212-54	<i>Terminal end for spark plug lead, coil side 29.5 long (R. VI). No longer supplied.</i>	4	DS 211-66	Terminal clip, upper for condenser (R. VI).	1	DS 212-115	Blanking plug for box spanner hole in scuttle for 30 mm hole. Until February 1957.	1
A 212-73f	Bracket for coil upper rear R.H. and lower front L.H.	2	DS 211-74	Screw for fixing contact supports (R. VI).	2	DS 212-115a	Rubber blanking plug for box spanner hole in scuttle for 40 mm hole. Since February 1957.	1
A 212-73g	Bracket for coil, upper front R.H. and lower rear L.H.	2	DS 211-80	Terminal lower for condenser (R. VI).	1	DS 212-116	Rubber cap for sparking plug tube, 41 mm internal diameter.	4
A 212-77a	Rubber protection sleeve, 6.5 x 15 x 60 (R. VI). - spark plug end. - coil end.	4 4	DS 211-93	Circlip securing cam (R. VI).	1	DS 212-117	Rubber sealing washer, 4 x 10 x 1, under screw securing bracket on scuttle.	2
DS 211-05	Contact breaker complete (R. VI).	1	DS 212-05	Spark plug leads to No. 1 and No. 2 cylinders, assembly in sheath.	1	DS 861-43	Lock barrel for ignition switch (R. VI).	1
DS 211-1	Ignition control 495 mm long (R. VI).	1	DS 212-7	Spark plug "Marchal" (35B) 14 mm (R. VI).	4	62-S	Screw, round head, 4 diameter x 7.5 pitch, securing condensers (R. III).	2
DS 211-4	Cam with drive (R. VI).	1	DS 212-12	Spark plug lead, coil to No. 3 cylinder, 250 mm long.	1	63-S	Screw, round head, 4 diameter x 10 long (R. VI) securing: - contact breaker cover. - coil supports.	2 2
DS 211-6	Automatic advance weights (R. VI).	2	DS 212-13	<i>Spark plug lead, coil to No. 4 cylinder, 280 mm long. No longer supplied.</i>	1	65-S	Screw, round head, 4 diameter x 15 long, securing ignition switch (R. III).	2
DS 211-8	Condenser (R. VI).	2	D 212-14a	Ignition switch without lock barrel (R. VI).	1	79-S	Screw, round head, 4 diameter x 12 long, securing contact arm and upper terminal (R. VI).	1
DS 211-9	Cover for contact breaker (R. VI).	1	DS 212-54	<i>Terminal for spark plug lead, connection end (R. VI). No longer supplied.</i>	4	80-S	Screw, round head, 4 diameter x 16 long, securing contact arm and lower terminal (R. VI).	1
DS 211-10	Return spring for contact breaker, outside diameter 9 mm length 70 mm.	1	DS 212-70	Insulating sleeve for rod connecting sparking plug, 112 mm long (R. VI).	4	125-S	Screw, round head, 5 diameter x 15 long, securing ignition switch bracket (R. III).	2
DS 211-17	Contact breaker complete, lower (R. VI).	1	DS 212-71	End piece upper, on rod connecting sparking plug (R. VI).	4			
DS 211-17a	Contact breaker complete, upper (R. VI).	1	DS 212-72	<i>Rod only, connecting spark plug, 135 mm long (threaded 4 diameter x 75 pitch) (R. VI). Replaced by DS 212-72a; order in addition: 1-DS 212-22a, 1-DS 212-70a.</i>	4			
DS 211-60	Lever for ignition control.	1	DS 212-82	Support bracket for coil assembled with 2 brackets.	1			
			D 212-96	Bracket for ignition switch.	1			

46-CONTACT BREAKER AND DUCELLIER COIL-IGNITION CIRCUIT-IGNITION CONTROL

NUMBER	DESCRIPTION	No. OFF	NUMBER	DESCRIPTION	No. OFF	NUMBER	DESCRIPTION	No. OFF
483-S	Screw, hex. head, 7 diameter x 15 long, securing metal plate and lever (R. III).	2	2.319-S	Nut, hex. , 5 diameter x 75 pitch, for screws securing coil bracket on scuttle (R. III).	1	89.149	Screw, hex. head, 5 diameter x 13 long, securing coil bracket on scuttle (R. III).	2
2.269-S	Nut, hex. , 4 diameter x 75 pitch (R. III) for screws securing: - coil supports on bracket. - ignition switch. - condensers.	2 2 2	2.334-S	Washer, shakeproof, 5.2 x 9.4, for screws securing coil bracket (R. VI).	3	89.591	Screw, square head, 4 diameter x 8 long, tightening cable (R. III).	1
2.284-S	Washer, shakeproof, 4.2 x 8 (R. VI) for screws securing: - contact arms. - condensers. - contact breaker cover. - coil supports.	2 4 2 2	2.482-S	Washer, 7.5 x 14, for screw securing lever (R. III).	1	453.173	Housing for contact breaker (R. III).	1
			2.659	Screw, hex. head, 5 diameter x 13 long, securing coil bracket on scuttle (R. III).	1	457.208	Screw, hex. head, 5 diameter x 7.5 long, locking ignition control cable sheath (R. III).	1

CONTACT BREAKER AND DUCELLIER COIL-IGNITION CIRCUIT-IGNITION CONTROL-51



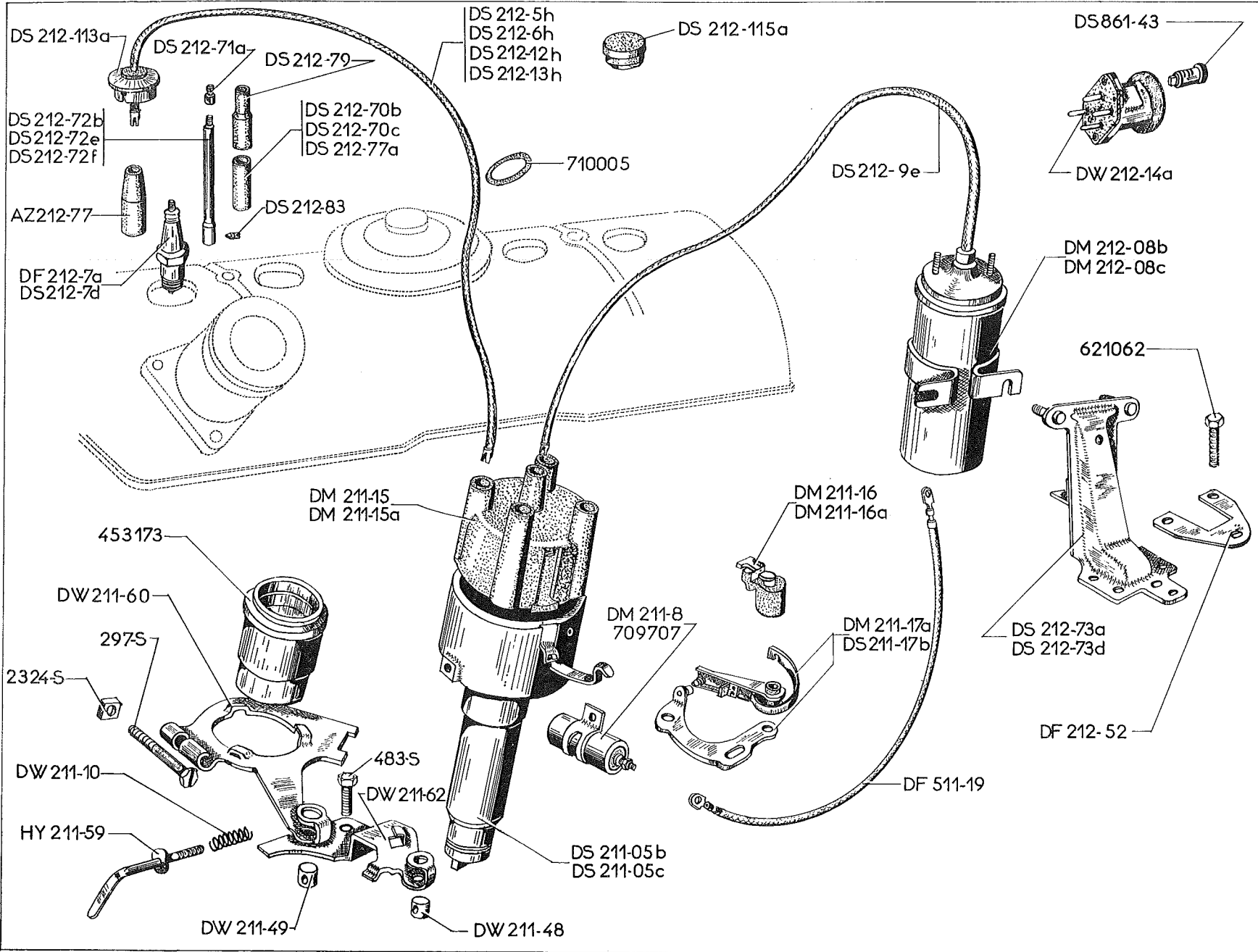
CONTACT BREAKER AND DUCELLIER COIL-IGNITION CIRCUIT-IGNITION CONTROL-49

NUMBER	DESCRIPTION	No. OFF	NUMBER	DESCRIPTION	No. OFF	NUMBER	DESCRIPTION	No. OFF
	July 1959-April 1962							
A 212-77a	Rubber protection sleeve, 6.5 x 15, sparking plug side (R. VI). Until January 1960.	4	DW 211-48	Trunnion for fixed point controlling ignition advance, hole tapped 5 diameter x 75 pitch (R. VI). Since March 1961.	1	DS 212-7	Sparking plug "Marchal" (35B) 14 mm (R. VI).	4
HY 211-59	Ignition control rod, threaded 5 x 75 (R. VI). Since March 1961.	1	DW 211-49	Trunnion for lever controlling distributor, plain hole 5.25 diameter (R. VI). Since March 1961.	1	DS 212-7b	Sparking plug AC (44F) 14 mm (R. VI).	4
DS 211-05b	Distributor complete "Ducellier" (R. VI).	1	DM 211-60	Distributor lever. Until March 1961.	1	DS 212-9	Lead, distributor to coil, 405 mm long.	1
DS 211-05c	Distributor complete S. E. V. (R. VI). Except U. S. A. 12 volts.	1	DW 211-60	Distributor lever (R. VI). Since March 1961.	1	DS 212-12a	Spark plug lead from distributor to No. 3 cylinder, 290 mm long.	1
DS 211-1	Ignition control, 495 mm long (R. VI). Until March 1961.	1	DS 211-62	Bracket with trunnion for holding distributor. Until March 1961.	1	DS 212-13a	Spark plug lead, distributor to No. 4 cylinder, 290 mm long.	1
DM 211-8	Condenser, "Ducellier" (R. VI).	1	DW 211-62	Bracket fixing distributor housing without trunnion (R. VI). Since March 1961.	1	D 212-14a	Ignition switch without lock barrel (R. VI). Until August 1961.	1
DS 211-10	Return spring for distributor, external diameter 9 mm, length 70 mm. Until March 1961.	1	DM 212-08b	Ignition coil, 12 volts, "Ducellier" (R. VI). PRESTIGE. All Types except U. S. A. Since September 1960.	1	DW 212-14a	Ignition switch without lock barrel (R. VI). Since August 1961.	1
DW 211-10	Spring on rod for distributor adjustment, 8 mm diameter, length 27.6 mm (R. VI). Since March 1961.	1	DM 212-08c	Ignition coil, 12 volts, S. E. V. (R. VI). U. S. A. and PRESTIGE All Types. Since September 1960.	1	DS 212-22a	Suppressor end piece for Marchal spark plug, threaded 4 x 75 (R. VI). Since January 1960.	4
DM 211-15	Distributor head "Ducellier" (R. VI).	1	DS 212-013	<i>Connection for sparking plug complete (without sparking plug). No longer supplied. Since January 1960.</i>	4	DF 212-52	Reinforcement plate for coil bracket.	1
DM 211-15a	Distributor head S. E. V. (R. VI). Except U. S. A. 12 volts.	1	DS 212-5a	Sparking plug lead, distributor to No. 1 cylinder, 460 mm long.	1	DS 212-54	<i>Terminal for spark plug lead (R. VI). No longer supplied.</i>	4
DM 211-16	Rotor "Ducellier" (R. VI).	1	DS 212-6a	Sparking plug lead, distributor to No. 2 cylinder, 400 mm long.	1	DS 212-55	Terminal for spark plug lead (R. VI). Since January 1960.	5
DM 211-16a	Rotor S. E. V. (R. VI). Except U. S. A. 12 volts.	1				DS 212-70	Insulating sleeve for rod connecting sparking plug, 112 mm long (R. VI). Until January 1960.	4
DM 211-17a	Contact breaker with S. E. V. contacts (R. VI). Except U. S. A. 12 volts.	1				DS 212-70a	Insulating sleeve for rod connecting sparking plug, 84 mm long (R. VI). Since January 1960.	4
DS 211-17b	Contact breaker complete "Ducellier" (R. VI).	1				DS 212-71	End piece, upper, on rod connecting sparking plug, threaded 4 diameter x 75 pitch (R. VI).	4

50-CONTACT BREAKER AND DUCELLIER COIL-IGNITION CIRCUIT-IGNITION CONTROL

NUMBER	DESCRIPTION	No. OFF	NUMBER	DESCRIPTION	No. OFF	NUMBER	DESCRIPTION	No. OFF
DS 212-72	Rod only, connecting sparking plug, 135 mm long (threaded 4 diameter x 75 pitch) (R. VI). Until January 1960. Replaced by DS 212-72a; order in addition: 1-DS 212-22a, 1-DS 212-70a.	4	DS 861-43	Switch lock barrel (R. VI).	1	2.324-S	Nut, square, 5 diameter x 75 pitch, for screw tightening distributor clip (R. III). Since June 1960.	1
DS 212-72a	Rod only, connecting sparking plug, 110 mm long (threaded 4 diameter x 75 pitch) (R. VI). Since January 1960.	4	65-S	Screw, round head, 4 diameter x 15 long, securing ignition switch (R. III).	2	2.514-S	Washer, shakeproof, 7.3 x 12, for screw securing metal plate and lever (R. VI).	1
DS 212-73a	Support for coil.	1	125-S	Screw, round head, 5 diameter x 15 long, securing bracket for switch (R. III).	2	89.591	Screw, square head, 4 diameter x 8 long, securing cable (R. III).	1
DS 212-77	Protector, 9 x 12 x 70, for rod connecting sparking plug (R. VI). Since January 1960.	4	131-S	Screw, round head, 5 diameter x 30 long, tightening distributor lever (R. III). Until June 1960.	1	453.173	Housing for distributor (R. III).	1
D 212-96	Bracket for ignition switch. Until August 1961.	1	135-S	Screw, round head, 5 diameter x 40 long, tightening distributor lever (R. III). Since March 1961.	1	457.208	Screw, hex. head, slotted, 5 diameter x 7, 5 long, locking the ignition control cable sheath (R. III).	1
DS 212-113	Plug for spark plug tube (R. VI).	4	297-S	Screw, hex. head, slotted, 5 diameter x 35 long, tightening distributor lever (R. III). June 1960 - March 1961.	1	621.062	Screw, hex. head, 5 diameter x 14 long, securing coil bracket (R. III)	2
DS 212-115a	Rubber plug for hole, 40 mm diameter for passage of spark plug spanner in the scuttle.	1	483-S	Screw, hex. head, 7 diameter x 15 long, securing metal plate and lever (R. III).	2	709.398	Ignition coil, S. E. V. 6 volts (R. VI). Until September 1960.	1
DS 212-116	Rubber cap for sparking plug tube, internal diameter 41 mm.	4	2.269-S	Nut, hex., 4 diameter x 75 pitch, for screw securing ignition switch (R. III).	2	709.400	Ignition coil Ducellier, 6 volts (R. VI). Until September 1960.	1
DF 511-19	Lead, coil to switch, 450 mm long.	1	2.319-S	Nut, hex., 5 diameter x 75 pitch, for screw tightening distributor lever (R. III). Until June 1960.	1	709.707	Condenser S. E. V. (R. VI).	1
						709.788	Rubber protector, coil end (R. VI).	1
						710.005	Rubber ring retaining sparking plug leads (R. III).	1

52-CONTACT BREAKER AND DUCELLIER COIL-IGNITION CIRCUIT-IGNITION CONTROL



CONTACT BREAKER AND DUCELLIER COIL-IGNITION CIRCUIT-IGNITION CONTROL-53

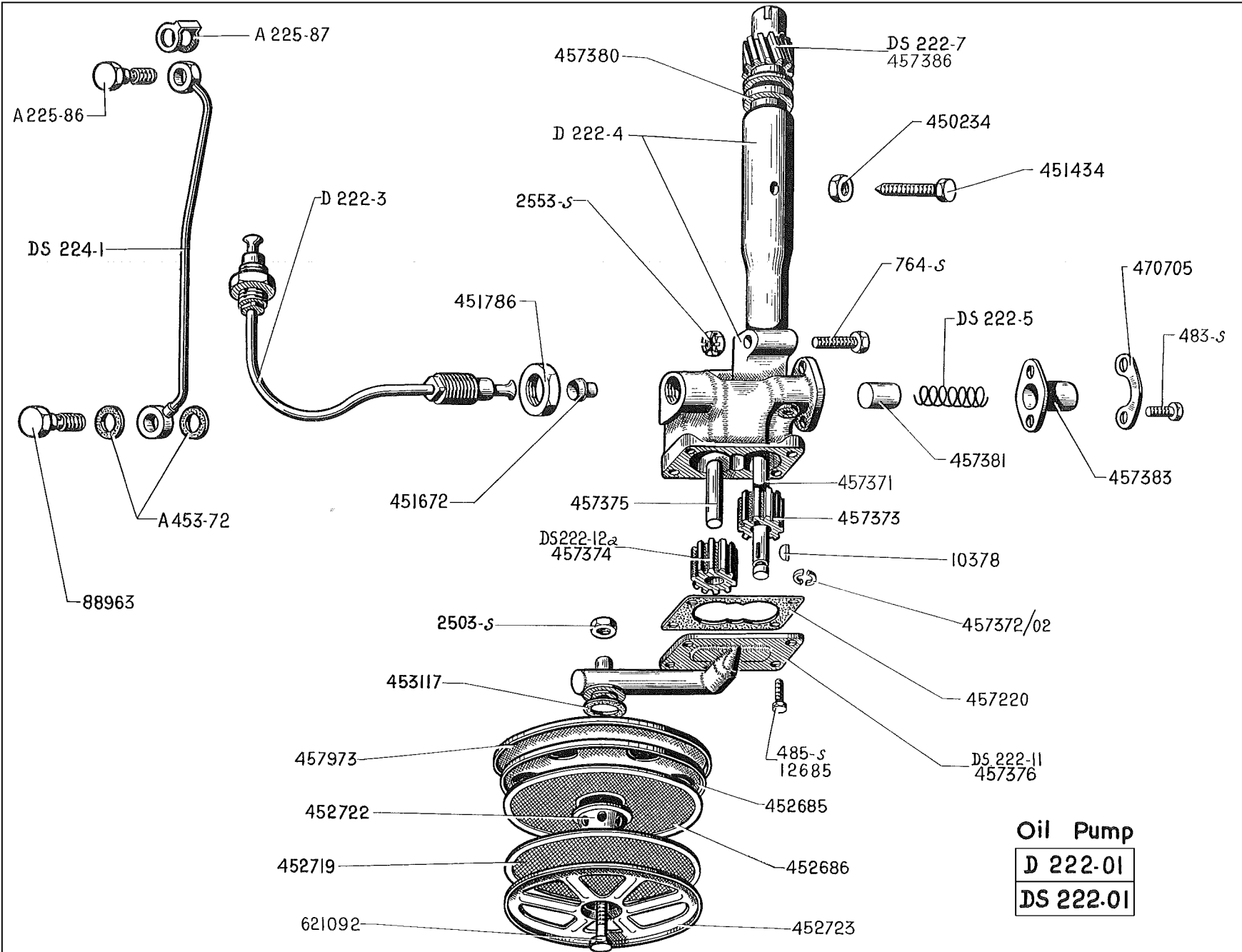
NUMBER	DESCRIPTION	No. OFF	NUMBER	DESCRIPTION	No. OFF	NUMBER	DESCRIPTION	No. OFF
	Since April 1962		<u>DS 212-04e</u>	Set of leads for plugs and ignition coil (R. VI).	1	DS 212-71a	End piece of spark plug connecting rod, threaded 4 x 70 (R. VI).	4
AZ 212-77	Protector for sparking plug (R. VI).	4	DM 212-08b	Coil, 12 volts, DUCCELLIER (R. VI).	1	DS 212-72b	Rod, bare, connecting sparking plug, 82 mm long, threaded 4 x 70 (R. VI). Until March 1963.	4
HY 211-59	Spindle with washer for distributor control, threaded 5 x 75 (R. VI).	1	DM 212-08c	Coil, 12 volts, S. E. V. (R. VI). Except U. S. A.	1	DS 212-72e	Rod, bare, connecting sparking plug, 72 mm long, threaded 4 x 70 (R. VI). Except U. S. A. Since March 1963.	4
DS 211-05b	Distributor, DUCCELLIER (R. VI).	1	DS 212-5h	Spark plug lead from distributor to first cylinder, 520 mm long (R. VI).	1	DS 212-72f	Rod, bare, connecting sparking plug, threaded 4 x 70, 72.5 mm long, one hole threaded 3 x 60, for screw securing plug (R. VI). U. S. A. Since March 1963.	4
DS 211-05c	Distributor S. E. V. (R. VI). Except U. S. A.	1	DS 212-6h	Spark plug lead from distributor to second cylinder, 470 mm long (R. VI).	1	DS 212-73a	Support for coil. Until September 1962.	1
DM 211-8	Condenser DUCCELLIER (R. VI).	1	DF 212-7a	Sparking plug Champion, 14 mm (L 10) (R. VI). U. S. A. Since March 1963.	4	DS 212-73d	Support for coil, with coil thrust plate. Since September 1962.	1
DW 211-10	Spring for spindle on distributor control, 8 mm diameter x 27.6 mm long (R. VI).	1	DS 212-7d	Sparking plug, MARCHAL, 14 mm, end piece threaded 4 x 70 (R. VI).	4	DS 212-77a	Protector, cardboard, 13 x 15 x 87, for spark plug connecting rod (R. VI). U. S. A. Since March 1963.	4
DM 211-15	Distributor head DUCCELLIER (R. VI).	1	DS 212-9e	Lead from distributor to coil, 405 mm long (R. VI).	1	DS 212-79	Protector, 6.2 x 7.2 x 39, for union between connecting rod and sparking plug lead (R. VI). All Types. U. S. A. Until March 1963.	4
DM 211-15a	Distributor head S. E. V. (R. VI). Except U. S. A.	1	DS 212-12h	Spark plug lead from distributor to third cylinder, 370 mm long (R. VI).	1	DS 212-83	Screw, 3 x 60, for securing connecting rod of sparking plug (R. VI). U. S. A. Since March 1963.	4
DM 211-16	Rotor DUCCELLIER (R. VI).	1	DS 212-13h	Spark plug lead from distributor to fourth cylinder, 370 mm long (R. VI).	1	DS212-113a	Plug for sparking plug well (R. VI).	4
DM 211-16a	Rotor S. E. V. (R. VI). Except U. S. A.	1	DW 212-14a	<i>Ignition switch, without lock barrel (R. VI). Until September 1964. Replaced by DW 212-14c.</i>	1	DS 212-115a	Plug, rubber, for sealing 40 mm hole for passage of spark plug spanner in the scuttle.	1
<u>DM 211-16b</u>	Rotor, Ducellier, (arrangement with frequency modulated radio). (R. VI). Since June 1965.	1	<u>DW 212-14c</u>	Ignition switch, without lock barrel (R. VI). Since September 1964.	1			
DM 211-17a	Contact breaker with contact support S. E. V. (R. VI). Except U. S. A.	1	DF 212-52	Plate, reinforcing coil bracket.	1			
DS 211-17b	Contact breaker complete, DUCCELLIER (R. VI).	1	DS 212-70b	Sheath, 4.5 x 7 x 57, insulating spark plug connecting rod (R. VI). Until March 1963.	4			
DW 211-48	Trunnion, fixed point, controlling ignition advance, hole tapped 5 x 75 (R. VI).	1	DS 212-70c	Sheath, 4.5 x 7 x 47, insulating spark plug connecting rod (R. VI). Since March 1963.	4			
DW 211-49	Trunnion, for ignition control lever, smooth hole 5.25 (R. VI).	1						
DW 211-60	Distributor lever (R. VI).	1						
DW 211-62	Plate for fixing housing, without trunnion (R. VI).	1						

The numbers underlined indicate new parts which do not appear on the illustration.

54-CONTACT BREAKER AND DUCELLIER COIL-IGNITION CIRCUIT-IGNITION CONTROL

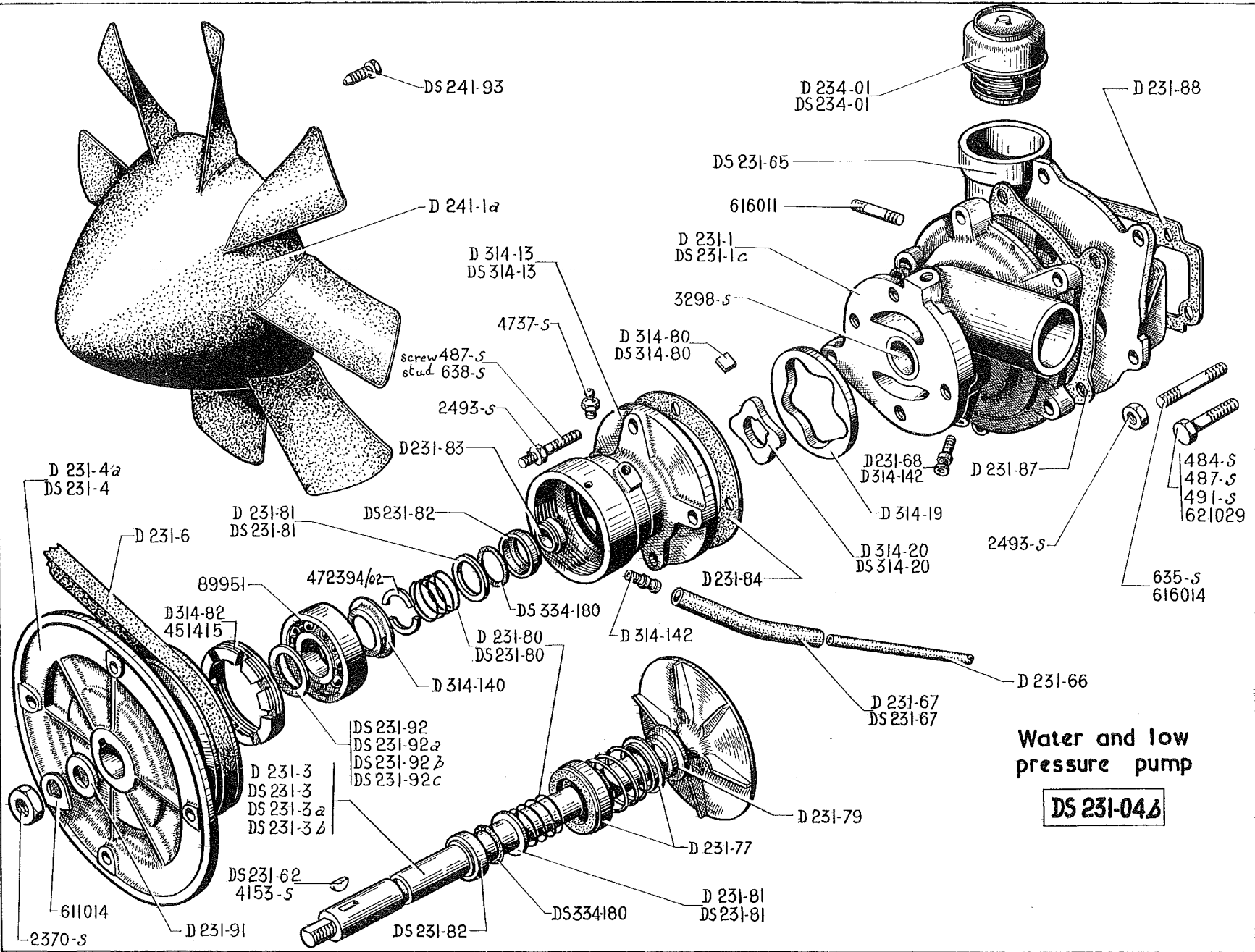
NUMBER	DESCRIPTION	No. OFF	NUMBER	DESCRIPTION	No. OFF	NUMBER	DESCRIPTION	No. OFF
DF 511-19	Lead from coil to contact breaker, 450 mm long.	1	483-S	Screw, hex. head, 7 x 15, for securing lever and plate (R. III).	2	621.062	Screw, hex. head, 5 x 14, for securing coil (R. III).	2
DS 861-43	Trunnion for ignition switch (R. VI).	1	2.324-S	Nut, square, 5 x 75, for securing the screw in the ignition collar (R. III).	1	709.707	Condenser S. E. V. (R. VI).	1
297-S	Screw, hex. head, (slotted), 5 x 35, for securing ignition lever (R. III).	1	453.173	Ignition housing (R. III).	1	710.005	Rubber ring for retaining sparking plug leads (R. III).	1

56-OIL PUMP-OIL CIRCULATION



Oil Pump
D 222-01
DS 222-01

NUMBER	DESCRIPTION	No. OFF	NUMBER	DESCRIPTION	No. OFF	NUMBER	DESCRIPTION	No. OFF
A 225-86	Union screw, hex., 7 diameter x 18 long, (hole 1 mm diameter) securing lubrication pipe for valve rockers to cylinder head.	1	764-S	Screw, hex. head, 8 diameter x 42.5 long, tightening support tube on pump body (R. III).	1	452.723	Lower plate for filters (6 triangular holes) (R. I).	1
A 225-87	Joint, double, 7.2 mm for screw securing cylinder head (R. VI).	1	2.503-S	Nut, hex., 7 diameter x 100 pitch, (height 6 mm) securing filters on pump base (R. III).	1	453.117	Joint, 29 x 42, between pump base and upper protection shield (R. VI).	1
A 453-72	Joint, copper, 10.2 x 18, for rocker-arms lubrication pipes.	2	2.553-S	Nut, hex., castellated, 8 diameter x 125 pitch, for screw securing pump support tube (R. III).	1	457.220	Joint for pump base, 0.05 mm thick (R. VI).	1
D 222-01	Oil pump complete with filters (pinion height 45.2). Since July 1959.	1	10.378	Woodruff key for fixed pinion (2.5 mm thick) (R. I).	1	457.371	Drive spindle for pinion (288.5 mm long).	1
DS 222-01	Oil pump complete with filters (pinion height 34.5). Until July 1959.	1	12.685	Screw, raised head, 7 diameter x 15 long, securing base on pump body (R. I). Until June 1960.	1	457.372/02	Retaining cotters for fixed pinion, height 7 mm (2 parts) (R. I).	1
D 222-3	Oil pipe between pump and cylinder head.	1	88.963	Union screw, hex. head, 10 diameter x 18 long, securing rocker-arms oil pipe on cylinder block (R. I).	1	457.373	Fixed pinion, straight teeth (10 teeth, 24.9 mm high) (R. I).	1
D 222-4	Body for oil pump with bracket.	1	450.234	Locknut, hex., 10 diameter x 100 pitch, (height 4 mm) for screw 451.434 securing pump support tube (R. I).	1	457.374	Idler pinion, straight teeth (10 teeth, 24.9 mm high) (R. I). Until March 1963. Since September 1964.	1
DS 222-5	Spring for non-return valve.	1	451.434	Screw, hex. head, pointed, 10 diameter x 30 long, securing support tube of pump (R. I).	1	457.375	Spindle for idler pinion, 44 mm long (R. I).	1
DS 222-7	Pinion driving pump and distributor (total height 34.5 mm). Until July 1959.	1	451.672	Conical union for oil pipe between pump and cylinder block (R. I).	2	457.376	<i>Base for oil pump forming support for filters (3 cylindrical holes, 1 hole countersunk) (R. I). Until June 1960. Replaced by DS 222-11; order in addition: 1-485-S (R. III), 1-457.973 (R. I).</i>	1
DS 222-11	Base for oil pump forming support for filters (4 cylindrical holes). Since June 1960.	1	451.786	Locknut, hex., 20 diameter x 150 pitch, securing pipe between pump and cylinder block (R. I).	2	457.380	Bush for support tube, 12.5 x 24 x 28 x 37 (R. I).	1
DS 222-12a	<i>Idler pinion for pump (10 teeth 24.9 mm high) (R. VI). March 1963 - September 1964. Replaced by 457.374.</i>	1	452.685	Cover, upper, for pump filters (6 holes 30 mm) (R. I).	1	457.381	Piston for return valve, 12 mm diameter, 20 mm long (R. I).	1
DS 224-1	Oil pipe for rocker-arms, 190 mm between centres.	1	452.686	Filter, upper for pump (30 mm diameter grommet) (R. I).	1	457.383	Housing for piston spring (R. I).	1
483-S	Screw, hex. head, 7 diameter x 15 long, securing housing for piston spring (R. III).	2	452.719	Filter, lower, for pump (11 mm diameter grommet) (R. I).	1	457.386	Pinion driving pump and distributor (total height 45.2 mm) (R. I). Since July 1959.	1
485-S	Screw, hex. head, 7 diameter x 20 long securing base on pump body (R. III). Until June 1960. Since June 1960.	3 4	452.722	Distance piece for filters (R. I).	1	457.973	Housing, upper, for filters (4 guide grooves) (R. I).	1
						470.705	Lockwasher, double, 7.5 mm holes, 32 mm between centres (R. I).	1
						621.092	Screw, hex. head, 7 diameter x 65 long, securing filters on pump (R. I).	1



Water and low pressure pump

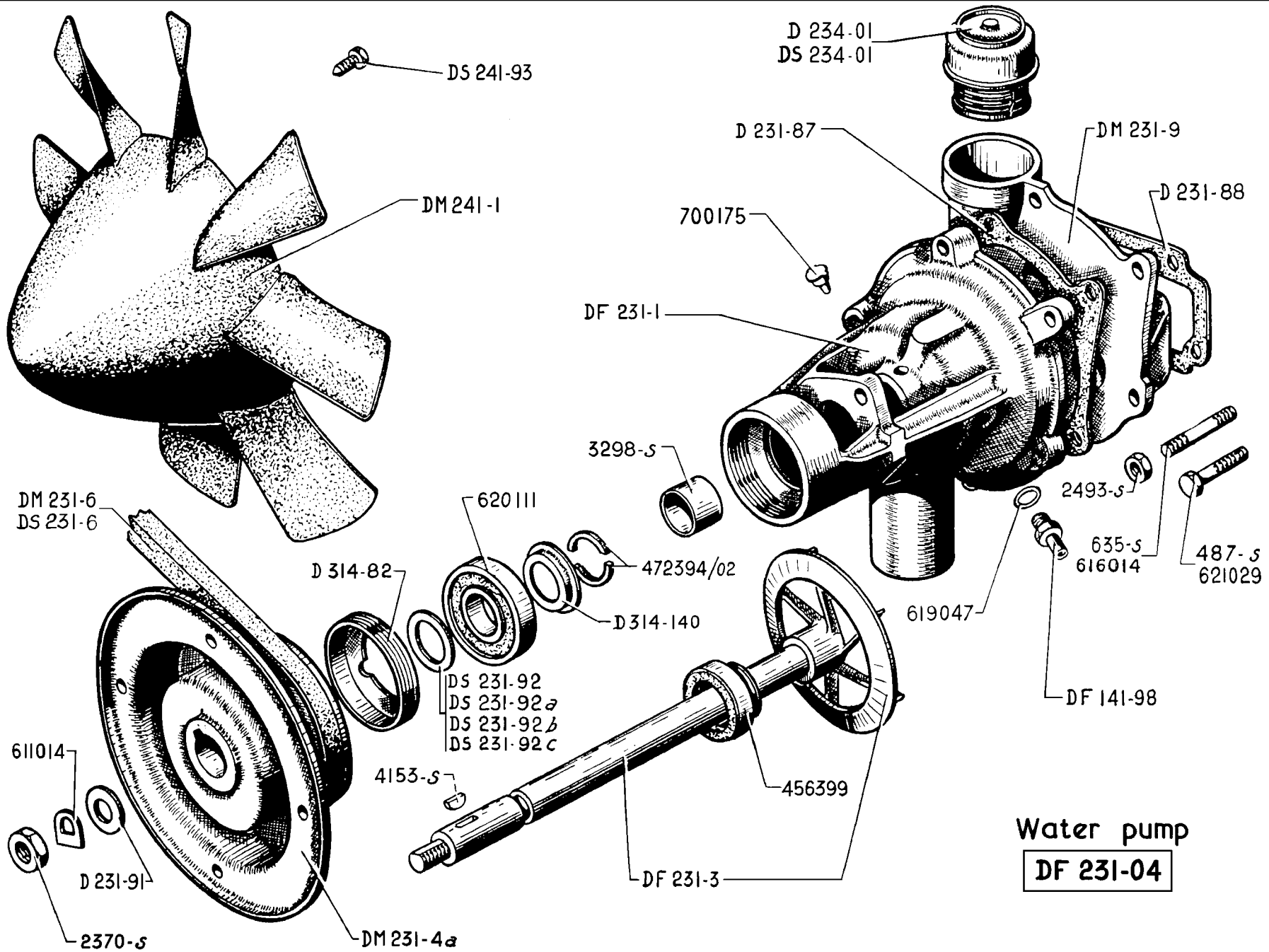
DS 231-04b

58-WATER AND LOW PRESSURE PUMP-FAN

NUMBER	DESCRIPTION	No. OFF	NUMBER	DESCRIPTION	No. OFF	NUMBER	DESCRIPTION	No. OFF
	Until September 1960							
DS 231-04b	Water and low pressure pump complete with overflow return pipe, nut and key for pulley but without pulley, cover or thermostat (assembly with impeller marked DS 231-7). Since July 1957. Replaces type with impeller marked D 231-7 fitted until July 1957 by ordering in addition; 1 - DS 231-65, 2 - 616.011 (R.I), - 1 - 616.014 (R.I).	1	DS 231-3b	- with impeller marked DS 231-7, Woodruff keys. February 1958 - April 1958. Replaced by DS 231-3a; order in addition: 1-4.153-S (R. VI).	1	D 231-79	Washer 22 x 30 x 2 for sealing gland of water pump.	1
D 231-1	Body for water pump, bushed (tapped for overflow union, 5 diameter x 75 pitch). Until February 1958. Replaced by DS 231-1d; order in addition: 1-D 231-66, 2-DS 231-67, 1-D 314-142.	1	D 231-4a	Pulley with double groove for pump and fan (total thickness 47 mm.) Until July 1956.	1	D 231-80	Compression spring for ring seal of water and low pressure pump (15.8 x 19.2 x 4 coils). Until November 1957.	2
DS 231-1c	Body for water pump, bushed, (tapped for overflow union 7 diameter 100 pitch) Since February 1958. Spindle for water and low pressure pump with impeller fitted.	1	DS 231-4	Pulley with double groove for pump and fan (total thickness 41.5 m.m) Since July 1956.	1	DS 231-80	Compression spring for ring seal of water and low pressure pump (15.1 x 18.5 x 4 coils, with locking tongue). Since November 1957.	2
D 231-3	- with impeller marked D 231-7, Woodruff keys. Until July 1957. Replaced by: DS 231-3a; order in addition: 1-DS 231-65, 1-DS 314-20, 1-DS 314-80 (R. VI), 2-616.011 (R. I).	1	D 231-6	Belt driving water pump and dynamo (R.VI).	2	D 231-81	Washer 15 x 23.5 x 2 for compression spring for ring seal of water and low pressure pump. Until November 1957.	2
DS 231-3	- with impeller marked DS 231-7, Woodruff keys. July 1957 - February 1958. Replaced by DS 231-3a; order in addition: 1-DS 314-20, 1-DS 314-80 (R. VI).	1	DS 231-62	Key, rectangular 4 x 4 x 14.5 for pump pulley (R.VI). February 1958 - April 1958.	1	DS 231-81	Washer, 15 x 20.4 x 1 for ring seal compression spring. Since November 1957.	2
DS 231-3a	- with impeller marked DS 231-7, Woodruff keys. July 1957 - February 1958. Replaced by DS 231-3a; order in addition: 1-DS 314-20, 1-DS 314-80 (R. VI).	1	DS 231-65	Cover, only, for water pump, 2 tappings 5 dia. securing heater pipe.	1	DS 231-82	Cage for ring seal for water and low pressure pump (15 x 19.6 x 20.6 x 23.5 x 8.5). Replaces earlier type.	2
			D 231-66	Nylon overflow pipe for pump (7 x 8 x 6.20) (R.VI). Until February 1958. Since February 1958.	1 2	D 231-83	Friction washer, shouldered, 15.5 x 20 x 23.5 x 5 for water and low pressure pump.	2
			D 231-67	Rubber overflow pipe for pump (6.5 x 9.5 x 105; lateral hole 3 mm diameter). Until February 1958.	1	D 231-84	Joint between water pump and low pressure pump (R. VI).	1
			DS 231-67	Rubber overflow pipe for water and low pressure pump (6.5 x 9.5 x 105 without lateral hole). Since February 1958.	2	D 231-87	Joint between water pump and cover (R. VI).	1
			D 231-68	Union on water pump (2.5 x 5 x 27 threaded 5 diameter 75 pitch). Until February 1958.	1	D 231-88	Joint between cover of water pump and cylinder head (R. VI).	1
			D 231-77	Seal for water pump (22 x 42 x 12) (R.VI).	1	D 231-91	Washer, 9 x 28 x 4 under nut securing pump pulley and fan.	1

WATER AND LOW PRESSURE PUMP-FAN-61

NUMBER	DESCRIPTION	No. OFF	NUMBER	DESCRIPTION	No. OFF	NUMBER	DESCRIPTION	No. OFF
	Washer for adjusting ball bearing on pumpshaft 15 x 24.2.	As nec.	D 314-80	Key 3 x 6.5 x 4.8 securing low pressure pump pinion. Until February 1958.	1	2.370-S	Nut, hex. 9 diameter 125 pitch, securing pulley for pump and fan (R.III).	1
DS 231-92	1 mm thick.					2.493-S	Nut, hex. 7 diameter 100 pitch (R.III).	
DS 231-92a	1.5 mm thick.		DS 314-80	Key, rectangular 1.9 x 7.2 x 10 securing low pressure pump pinion (R.VI). Since February 1958.	1		- securing pump on cover	2
DS 231-92b	2 mm thick.						Until October 1957	3
DS 231-92c	0.5 mm thick.						Since October 1957	
D 234-01	Thermostat (R. VI). All types except cold climates.	1	D 314-82	Ring nut, external thread 45 diameter 150 pitch, locking ball bearing on pump spindle. Until December 1957.	1		- assembling water and low pressure pump	1
DS 234-01	<i>Thermostat (R. VI). Cold Climates. Replaced by DS 234-01a.</i>	1				3.298-S	Bush 15 x 19 x 20 for body of water pump (R.VI).	1
D 241-1a	Fan, nylon 8 blades.	1	D 314-140	Retainer for circlip locking bearing (15.2 x 21 x 27 x 6).	1			
DS 241-93	Screw, hex. head, 7 diameter 28 long (head 10 across flats) securing fan (R. VI). Replaces type with head 12 across flats.	4	D 314-142	Union for drain tube (4 x 7 x 21 threaded 7 diameter 100 pitch):		4.153-S	Woodruff key 4 x 5 x 13 securing pump and fan pulley (R.VI),	1
				- on low pressure pump	1		Until February 1958. Since April 1958.	
				- on water pump	1	4.737-S	Greaser, straight for water pump ball bearing (R.VI).	1
D 314-13	<i>Body for low pressure pump (with hole for greaser). Until December 1957. Replaced by DS 314-13; order in addition: 1-451.415 (R. I).</i>	1	DS 334-180	Ring seal 13.6 x 19 x 2.7 for water and low pressure pump (R.VI).	2		Up to December 1957.	
DS 314-13	Body for low pressure pump (without hole for greaser). Since December 1957.	1	484-S	Screw hex. head 7 diameter 17.5 long securing water pump (R.III). Until October 1957.	1	89.951	Ball bearing 15 x 42 x 13 for pump spindle (R.VI).	1
D 314-19	Wheel for low pressure pump (5 teeth).	1	487-S	Screw hex. head 7 diameter 25 long (R.III).		451.415	Castellated nut (external thread 45 diameter 150 pitch locking pump shaft bearing (R.I). Since December 1957.	1
				- securing water pump	1	472.394/02	Locking ring for ball bearing, height 9.4 mm. (2 parts) (R.I).	1
D 314-20	<i>Pinion for low pressure pump (4 teeth, width of keyways 3 mm). Until February 1958. Replaced by DS 314-20; order in addition: 1-DS 231-3a, 1-DS 314-80 (R. VI).</i>	1		- assembling body of water and low pressure pump.	4	611.014	Lockwasher, single 9.5 mm. for nut securing pump pulley and fan (R.I).	1
				Until February 1960.	3			
				Since February 1960.		616.011	Stud 5 diameter 20 long (threaded 8 and 8) securing hot water outlet pipe on water pump cover (R.I.)	2
DS 314-20	Pinion for low pressure pump (4 teeth, groove for key 10 mm wide). Since February 1958.	1	491-S	Screw hex. head 7 diameter 35 long securing water pump (R.III).	1	616.014	Stud 7 diameter 35.5 (threaded 10.5 and 21) securing water pump (R.I).	
			635-S	Stud, 7 diameter 30.5 long (threaded 17 and 10.5) securing water pump (R. III).	1		Until October 1957	1
							Since October 1957	2
			638-S	Stud, 7 diameter 38.5 long (threaded 17 and 10.5), assembling body of water and low pressure pump. Since February 1960.	1	621.029	Screw, hex. head 10 diameter 60 long securing water pump cover on cylinder head (R.I).	2

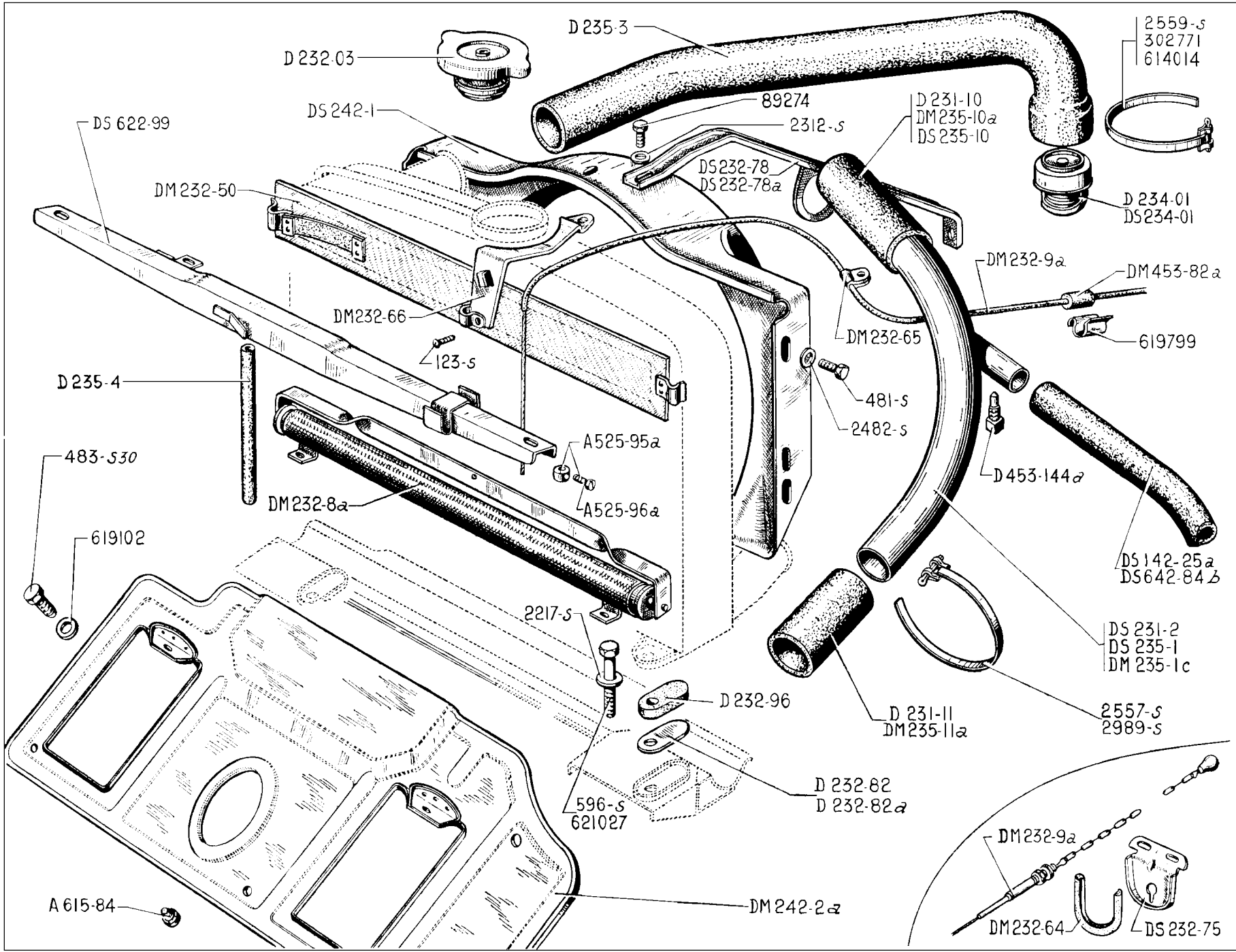


Water pump
DF 231-04

62-WATER PUMP-FAN

NUMBER	DESCRIPTION	No. OFF	NUMBER	DESCRIPTION	No. OFF	NUMBER	DESCRIPTION	No. OFF
	Since September 1960							
DF 141-98	Union for water outlet (threaded 20 diameter x 150 pitch, outside diameter 19 mm).	1	D 231-91	Washer, 9 x 28 x 4 under nut securing pulley for pump and fan.	1	2.496-S	Nut, hex., 10 diameter x 150 pitch, securing water pump body on cylinder head.	1
DF 231-04	<i>Water pump complete without pulley, cover or thermostat (body with hole threaded 20 diameter x 150 pitch). Until June 1964. Replaced by DF 231-04a.</i>	1		Washer, for adjustment of pump spindle ball bearing, 15.5 x 24.2:	As nec.			
DF 231-04a	Water pump complete, without pulley, cover or thermostat, (stop nut for bearing pinned). Since June 1964.	1	DS 231-92	1 mm thick.		3.298-S	Bush, 15 x 19 x 20, for water pump body (R. VI).	1
DF 231-1	<i>Body for water pump, bushed (hole tapped 20 diameter x 150 pitch for water outlet union). Until June 1964. Replaced by DF 231-1a. Order in addition 1-451.415.</i>	1	DS 231-92a	1.5 mm thick.		4.153-S	Woodruff key, 4 x 5 x 13, securing pulley for pump and fan (R. VI).	1
DF 231-1a	Body for water pump, bushed, (hole for stop pin of bearing nut). Since June 1964.	1	DS 231-92b	2 mm thick.		<u>451.415</u>	Nut, castellated, (exterior thread 45 x 150) for locking bearing on pump shaft (R. I). Since June 1964.	1
DF 231-3	Spindle for water pump with impeller fitted (impeller 22.5 mm long).	1	DS 231-92c	0.5 mm thick.		456.399	Sealing washer, internal diameter 15 mm, external diameter 35 mm (R. VI).	1
DM 231-4a	Pulley for pump and fan.	1	D 234-01	Thermostat (R. VI). All Types except Cold Climates. Until September 1964.	1	472.394/02	Locking ring for ball bearing, high.9.4 mm (2 parts) (R. I).	1
DM 231-6	Belt driving water pump and dynamo (R. VI). Until October 1961.	1	DS 234-01	<i>Thermostat (R. VI). Cold Climates. Replaced by DS 234-01a.</i>	1	611.014	Lockwasher, single 9.5 mm, for nut securing pulley for pump and fan (R. I). Until September 1961.	1
DS 231-6	Belt driving water pump and dynamo (R. VI). Since October 1961.	1	<u>DS 234-01a</u>	Thermostat (R. VI). All types. Since September 1964.	1	616.014	Stud, 7 diameter x 35, 5 long, securing water pump on cover.	2
DS 231-65a	Cover only, for water pump (2 tapped holes 7 diameter x 100 pitch, securing heater pipe).	1	DM 241-1	Fan, nylon, 8 blades (with bosses protruding 0.5 mm on bearing face).	1	619.047	Joint for water outlet union, 20.5 x 26 x 1.5 to 2 (R. VI).	1
D 231-87	Joint between water pump and cover (R. VI).	1	DS 241-93	Screw, hex. head, 7 diameter x 28 long (head 10 across flats) securing fan (R. VI).	4	620.111	Ball bearing, 15 x 42 x 13, double seal (R. VI).	1
D 231-88	Joint between water pump cover and cylinder head (R. VI).	1	D 314-82	Ring nut (external thread 45 diameter x 150 pitch) locking ball bearing on pump spindle. Until June 1964.	1	621.029	Screw, hex. head, 10 diameter x 60 long, securing cover for water pump on cylinder head (R. I).	2
			D 314-140	Cup retaining locking circlip (15.2 x 21 x 27 x 6).	1	700.175	Oiler for pump body sleeve (R. VI).	1
			487-S	Screw, hex. head, 7 diameter x 25 long, securing water pump (R. III).	2			
			635-S	Stud, 7 diameter x 30.5 long (threaded 17 and 10.5) securing water pump on cover (R. III).	1			
			2.370-S	Nut, hex., 9 diameter x 125 pitch, securing pulley for pump and fan (R. III).	1			
			2.493-S	Nut, hex., 7 diameter x 100 pitch, securing water pump (R. III).	3			

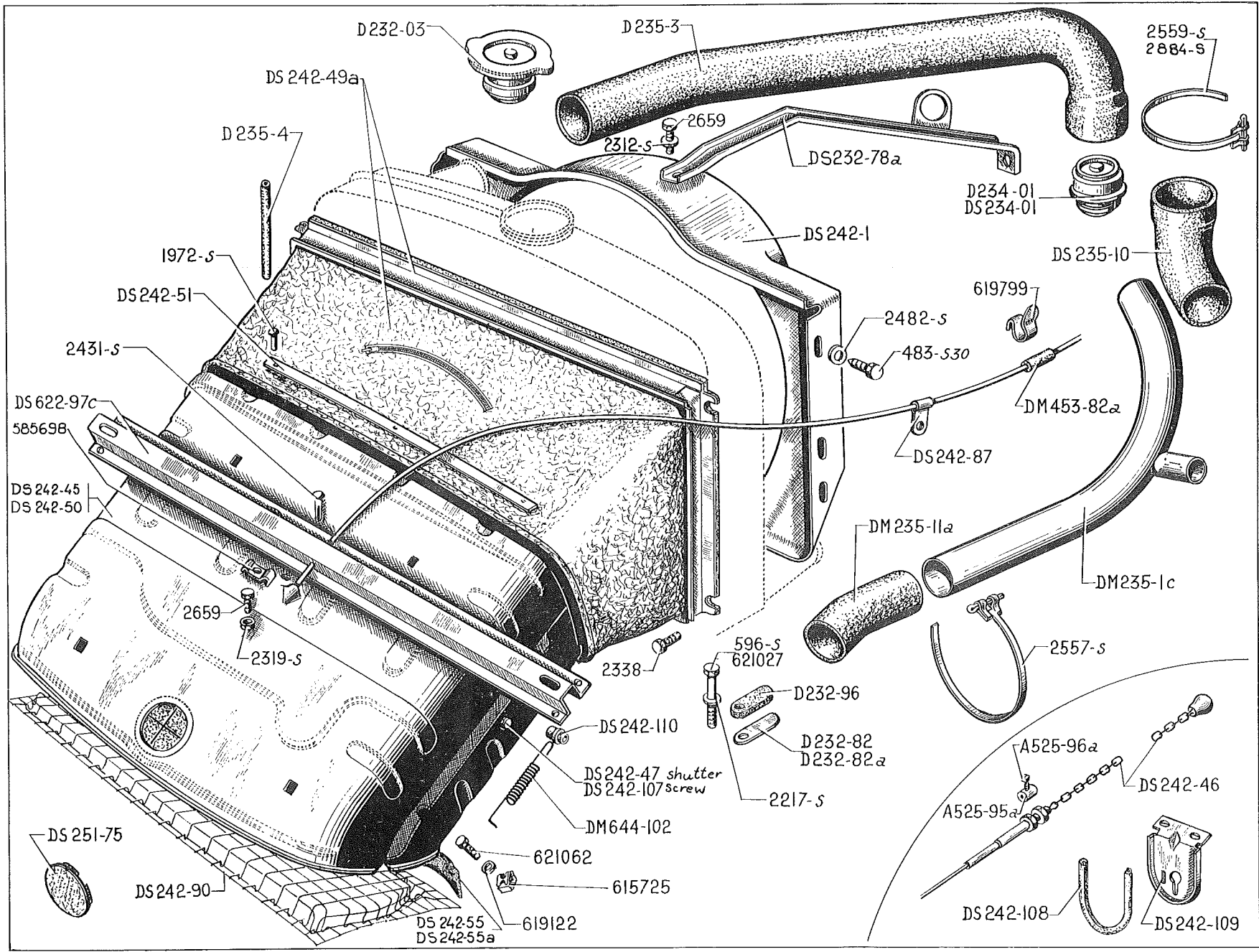
52-WATER DISTRIBUTION-FAN COWL



NUMBER	DESCRIPTION	No. OFF	NUMBER	DESCRIPTION	No. OFF	NUMBER	DESCRIPTION	No. OFF
	Until September 1962							
A 615-84	Rubber buffer on deflector.	3	DM 235-11a	Pipe, rubber, between feed pipe and radiator (length of elbows 20 x 30). Since September 1960.	1	2. 989-S	Clip with pin for flexible pipe heating carburettor, 245 mm long (R. VI). Until September 1960.	2
DS 142-25a	Rubber tube, 20 x 28 x 280, for heating carburettor. Until September 1960.	1	DS 242-1	Fan cowl on radiator (R. VI).	1	<u>5. 500-S</u>	Nut, hex., 5 x 75, with collar, for securing radiator (R. III).	4
DS 231-2	Feed pipe between radiator and water pump with connecting tubes. Until September 1960.	1	DM 242-2a	Air deflector.	1	<u>614. 028</u>	Clip with screw for securing upper union on water pump cover (R. VI)	1
D 231-10	Pipe between feed pipe and water pump, 40 x 50 x 80. Until September 1960.	1	D 453-144a	Screw, square head, 5 diameter x 17 long, in feed pipe for draining radiator. Since September 1956.	1	621.027	Screw, hex. head, 9 diameter x 50 pitch, securing radiator on support (R. III).	1
D 231-11	Pipe between feed pipe and radiator 40 x 50 x 220. Until September 1960.	1	DS 622-99	Spare wheel support with clips for starting handle and extension.	1	ASSEMBLY WITH HEATING BLINDS Cold Climates EUROPE and U.S.A. January 1961-September 1962		
D 232-03	Cap AC (RC2) for radiator (R. VI).	1	483-S 30	Screw, hex. head, pointed, 7 diameter x 15 long (R. III) securing: - fan cowl. - air deflector.	4 4	A 525-95a	Trunnion for blind control cable (R. VI).	2
DS 232-78a	Stay with attachment plate securing radiator. Replaces preceding model.	1	596-S	Screw, hex. head, 9 diameter x 42 long, securing radiator on support (R. III).	2	A 525-96a	Screw, cylindrical head for trunnion (R. VI).	2
D 232-82	Packing for radiator, 1 mm thick.	As nec.	2. 217-S	Washer, 9.5 x 16 x 2, for screws securing rubber pads under radiator (R. III).	2	DM 232-8a	Blind for radiator (R. VI).	1
D 232-82a	Packing for radiator, 2 mm thick.	As nec.	2. 312-S	Washer, 5.5 x 9, for screw securing radiator tie-rod (R. III).	1	DM 232-9a	Control for blind (R. VI).	1
D 232-96	Rubber pad 60 x 35 x 16 under radiator bracket.	2	2. 482-S	Washer, 7.5 x 14, for screws securing fan cowl (R. III).	4	DM 232-50	Shield for radiator.	1
D 234-01	Thermostat CALORSTAT regulating water circulation on pump (R. VI).	1	2. 557-S	Clip with pin for connections on feed pipe, 366 mm long (R. VI).	4	DM 232-64	Rubber protector for support locking chain (R. VI).	1
DS 235-1	Feed pipe between radiator and water pump with union pipe. September 1960-November 1961.	1	2. 559-S	Clip with pin for upper connecting tube on thermostat (R. VI).	1	DM 232-65	Clip retaining sheath on battery support (R. VI).	1
DM 235-1c	Feed pipe between radiator and water pump with union pipe. Since November 1961.	1	2. 659	Screw, hex. head, 5 diameter x 13 long, securing radiator stay (R. III). Replaced by 283-S.	1	DM 232-66	Support for sheath on radiator.	1
D 235-3	Connecting pipe, upper, elbowed, between water pump and radiator.	1	2. 884-S	Clip with pin securing upper water feed pipe (R. VI).	1	DS 232-75	Support locking chain (R. VI).	1
D 235-4	Pipe, rubber, 6 x 9 x 300, for radiator overflow.	1				DS 234-01	<i>Thermostat DOLE regulating water circulation (R. VI). Replaced by DS 234-01a.</i>	1
DM 235-10a	Pipe, rubber, between feed pipe and water pump. September 1960 - November 1961.	1				<u>DS 234-01a</u>	Thermostat, CALORSTAT, regulating water circulation. (R. VI).	1
DS 235-10	Pipe between feed pipe and water pump. Since November 1961.	1				DM 453-82a	Protection sleeve on cable guide (R. VI).	1
						123-S	Screw, round head, 5 diameter x 10 long, securing sheath on support (R. III).	2
						619.799	Clip securing blind cable (R. VI).	As nec.

The numbers underlined indicate new parts which do not appear on the illustration.

WATER DISTRIBUTION-VENTILATION DUCT-67



66-WATER DISTRIBUTION-VENTILATION DUCT

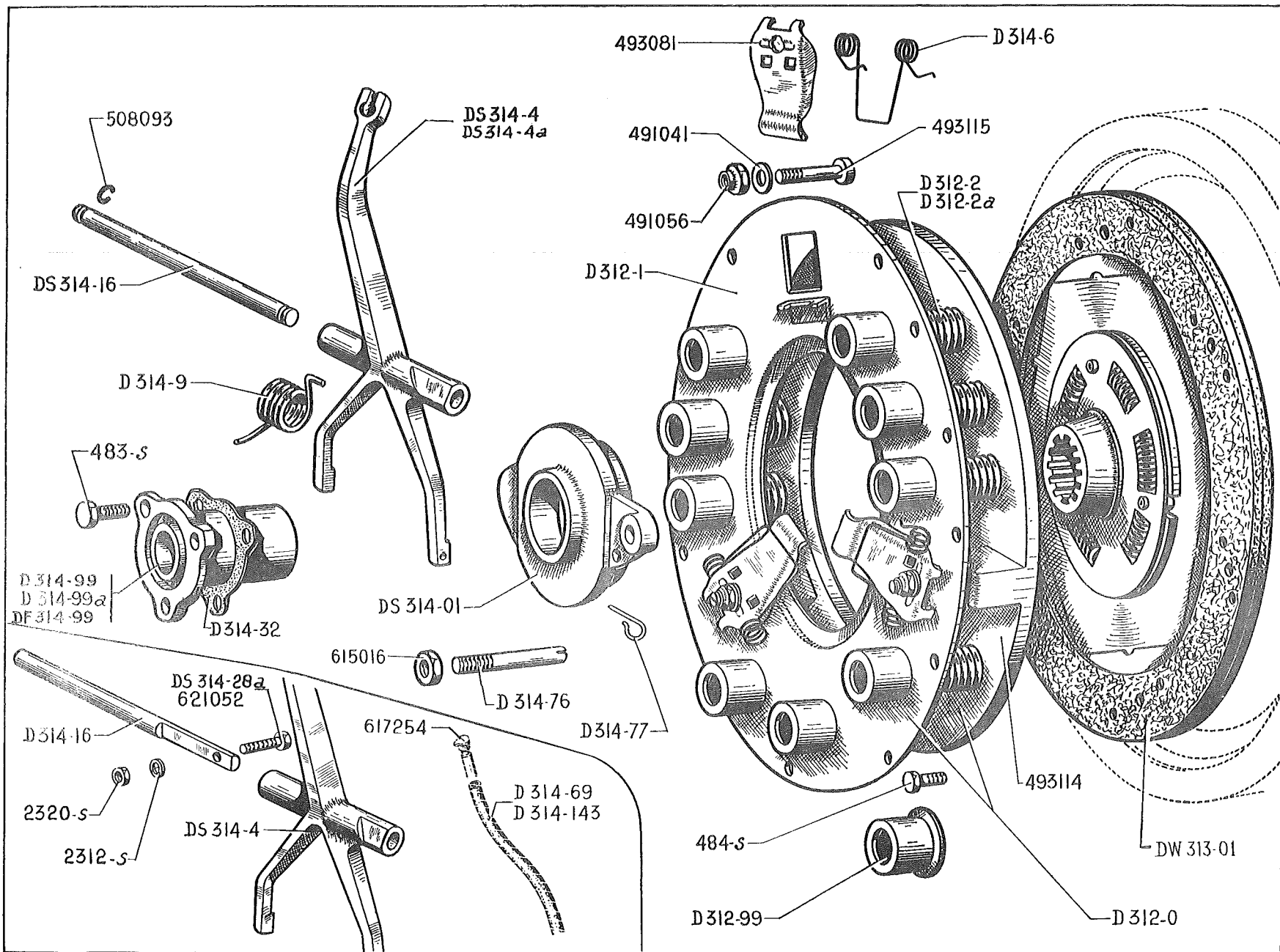
NUMBER	DESCRIPTION	No. OFF	NUMBER	DESCRIPTION	No. OFF	NUMBER	DESCRIPTION	No. OFF
	Since September 1962 except cold climates							
D 232-03	Cap, AC (R. C2) for radiator (R. VI).	1	DS 242-49a	Frame with flexible duct for radiator ventilation. Replaced by DX 242-49b.	1	2.312-S	Washer, 5.5 x 9, for screws securing radiator tie-rod (R. III).	1
DS 232-78a	Tie rod with securing plate for fixing radiator.	1	DS 242-50	Casing (rigid part) for ventilation duct. Replaced by DX 242-67.	1	2.338	Screw, hex. head, 5 x 20 for securing flexible duct on radiator (R. III). Replaced by 284-S.	4
D 232-82	Packing for radiator adjustment. 1 mm thick.	As nec.	DS 242-51	Strap securing flexible part of ventilation duct to rigid part.	2	2.482-S	Washer, 7.5 x 14 for the screws securing fan cowl (R. III).	4
D 232-82a	Packing for radiator adjustment. 2 mm thick.	As nec.	DS 242-55	Joint, rubber, sealing casing for ventilation duct on panel (R. VI). Until September 1963. Replaced by 2-DS 242-55a.	1	2.557-S	Clip with pin for securing suction hoses, 366 mm long (R. VI).	4
D 232-96	Pad, rubber, 60 x 35 x 16 under radiator securing plate.	2	DS 242-55a	Joint, rubber, sealing casing for ventilation duct on panel (R. VI). Since September 1963.	2	2.559-S	Clip with pin for securing upper connecting tube on thermostat (R. VI).	1
D 234-01	Thermostat CALORSTAT regulating water circulation (R. VI). Until September 1964.	1	DS 242-90	Protection grille on rigid ventilation duct. Since September 1963.	1	2.659	Screw, hex. head, 5 x 13, for securing radiator tie-rod (R. III). Replaced by 283-S.	1
<u>DS 234-01a</u>	Thermostat, CALORSTAT regulating water circulation (R. VI). Since September 1964.	1	DS 242-75	Plug (plastic) for handle opening (R. VI).	1	2.884-S	Clip with pin securing upper water feed pipe (R. VI).	1
DM 235-1c	Feed pipe between radiator and water pump, with union.	1	DS 251-75	Plug (plastic) for handle opening (R. VI).	1	<u>5.500-S</u>	Nut, hex., 5 x 75, with collar, for securing radiator (R. III).	4
D 235-3	Union, upper, elbowed, between water pump and radiator.	1	DS 662-97c	Support for spare wheel.	1	<u>614.028</u>	Clip with screw for securing upper union on water pump cover (R. VI).	1
D 235-4	Pipe, rubber, 6 x 9 x 300, for radiator overflow.	1	<u>284-S</u>	Screw, hex. head, 5 x 20, for securing flexible pipe on radiator.	4	615.725	Nut, 5 x 75 (encased) for screws securing ventilation duct (R. VI).	4
DS 235-10	Pipe, rubber, between feed pipe and water pump.	1	483-S 30	Screw, hex. head, 7 x 15 for securing fan cowl on radiator (R. III).	4	619.122	Washer, flat, 5.5 x 12 x 1 for the screws securing the ventilation duct (R. III).	4
DM 235-11a	Pipe, rubber, between feed pipe and radiator (length of elbows 20 x 30).	1	596-S	Screw, hex. head, 9 x 42, for securing radiator on bracket (R. III).	2	621.027	Screw, hex. head, 9 x 50, for securing radiator on support (R. III).	1
DS 242-1	Fan cowl on radiator (R. VI).	1	1.972-S	Rivet flat head, 2.4 x 6, for securing flexible part of ventilation duct to rigid part (R. VI).	10	621.062	Screw, hex. head, 5 x 14, for securing ventilation duct (R. III).	4
			2.217-S	Washer, 9.5 x 16 x 2, for screws securing rubber plates under radiator (R. III).	2			

WATER DISTRIBUTION - VENTILATION DUCT - 66A

NUMBER	DESCRIPTION	No. OFF	NUMBER	DESCRIPTION	No. OFF	NUMBER	DESCRIPTION	No. OFF
	SPECIAL PARTS Cold Climates EUROPE and U.S.A.							
A 525-95a	Trunnion for blind control cable (R. VI).	2	DS 242-45	Casing, rigid part, for ventilation duct with shutter.	1	DM 453-82a	Sleeve, protection, on cable guide (R. VI).	1
A 525-96a	Screw, cylindrical head, for trunnion (R. VI).	2	DS 242-46	Control for shutter (R. VI).	1	DM 644-102	Return spring for shutter.	2
DS 234-01	<i>Thermostat DOLE, regulating water circulation (R. VI). Replaced by DS 234-01a.</i>	1	DS 242-47	Shutter for rigid ventilation duct.	1	2.319-S	Nut, hex., 5 x 75, for screw securing sheath (R. III).	1
<u>DS 234-01a</u>	Thermostat, CALORSTAT, regulating water circulation (R. VI).	1	DS 242-87	Plate securing sheath on battery bracket (R. VI).	1	2.431-S	Rivet, bifurcated, 4.8 x 14.5, for securing cable to shutter (R. VI).	1
			DS 242-107	Screw for securing shutter (R. VI).	2	2.659	Screw, hex. head, 5 x 13, for securing sheath on duct (R. III).	1
			DS 242-108	Protector, rubber, for support of chain lock (R. VI).	1	585.698	Clamp securing sheath on rigid duct (R. III).	1
			DS 242-109	Support for chain lock (R. VI).	1	619.799	Clip securing shutter cable (R. VI).	1
			DS 242-110	Bearing (nylon), for articulation of shutter (R. VI).	2			

The numbers underlined indicate new parts which do not appear on the illustration.

68-CLUTCH



NUMBER	DESCRIPTION	No. OFF	NUMBER	DESCRIPTION	No. OFF	NUMBER	DESCRIPTION	No. OFF
D 312-0	<i>Clutch mechanism (R. VI). - mechanical control. - hydraulic control. Until November 1964. Replaced by DS 312-0a.</i>	1 1	D 314-6	Thrust spring for clutch toggles (R. VI).	3	484-S	Screw, hex. head, 7 diameter 17.5 long securing clutch mechanism on engine flywheel (R. III).	6
<u>DS 312-0</u>	<i>Clutch mechanism (R. VI). Hydraulic control. November 1964 - March 1965. Marked DS with white paint. Replaced by DS 312-0a.</i>	1	D 314-9	Return spring for clutch withdrawal fork (R. VI).	1	2.312-S	Washer 5.5 x 12, under screw securing fork spindle (R. III). March 1958 - May 1959.	1
<u>DS 312-0a</u>	Clutch mechanism (R. VI). Since March 1965.	1	D 314-16	Spindle for clutch withdrawal fork (10 x 118). Until May 1959.	1	2.320-S	Nut, hex., 5 diameter x 75 pitch, height 3.5 mm locking fork spindle (R. III). March 1958 - May 1959.	1
D 312-1	Clutch toggle carrier plate, 243 mm (R. VI).	1	DS 314-16	Spindle for clutch withdrawal fork (10 x 124.6, 2 grooves for cir-clips). Since May 1959.	1	491.041	Washer 10 x 18 x 2.5 for clutch toggle adjusting screw (R. VI).	3
D 312-2	<i>Clutch spring (marked green) (R. VI). Until March 1965. Replaced by DS 312-2. Order in addition 1-DS 312-80.</i>	3	DS 314-28a	Screw, hex. head, 5 diameter, 23 long, securing fork spindle. March 1958 - May 1959.	1	491.056	Nut, 8 diameter x 75 pitch, for clutch toggle adjusting screw (R. VI).	3
<u>DS 312-2</u>	Clutch spring (marked light green) (R. VI). Since March 1965.	3	D 314-32	Paper joint for ball thrust bearing sleeve (R. VI).	1	493.081	Clutch toggle 87.5 mm long (R. VI).	3
D 312-2a	<i>Clutch spring (marked white) (R. VI). Until March 1965. Replaced by DS 312-2a. Order in addition 1-DS 312-80.</i>	6	D 314-69	<i>Flexible pipe between lubricator and thrust bearing (3 x 6 x 120)(R. VI). Until February 1956. No longer supplied.</i>	1	493.114	Clutch pressure plate, 216 mm diameter, holes for toggle screws 8.5 mm, 10.5 mm and 16 mm diameter (R. VI).	1
<u>DS 312-2a</u>	Clutch spring (marked magenta) (R. VI). Since March 1965.	6	D 314-76	Guide pin for thrust bearing, threaded 9 diameter x 125 pitch, total length 52 mm.	1	493.115	Screw, cylindrical head 8 diameter 41 long for clutch toggle adjustment (R. VI).	3
<u>DS 312-80</u>	Insulating washer (R. VI). Since March 1965.	9	D 314-77	Retaining spring for clutch thrust bearing.	2	508.093	Circlip 8.8 x 10.8 securing clutch fork spindle (R. I). Since May 1959.	2
D 312-99	Cup for clutch spring, height 26.5 mm, internal diameter 29 mm (R. VI).	9	D 314-99	Hub for thrust bearing (with clearance on the collar). Until February 1957.	1	615.016	Nut, hex. 9 diameter, 125 pitch, height 4 mm locking guide pin for clutch thrust bearing (R. I).	1
DW 313-01	Clutch disc (R. VI).	1	D 314-99a	Hub for thrust bearing (no clearance on the collar). Since February 1957.	1	617.254	<i>Lubricator "Radior" for clutch thrust bearing (R. VI). Until April 1956. No longer supplied.</i>	1
DS 314-01	Housing for thrust bearing with bearing.	1	DF 314-99	Hub for thrust bearing (mountain ratio assembly).	1	621.052	<i>Screw, hex. head, 5 diameter x 17 long securing clutch fork spindle (R. I). Until March 1958. Replaced by DS 314-28a; order in addition: 1-2.312-S (R. III), 1-2.322-S (R. III).</i>	1
DS 314-4	<i>Clutch withdrawal fork, thickness of head 11 mm. Until September 1960. Replaced by DS 314-4a.</i>	1	D 314-143	<i>Flexible pipe between lubricator and thrust bearing (5x7x100) (R. VI). February 1956 - April 1956. No longer supplied.</i>	1			
DS 314-4a	Clutch withdrawal fork, thickness of head 8.5 mm. Since September 1960.	1	483-S	Screw, hex. head, 7 diameter 15 long, securing hub for thrust bearing (R. III).	3			

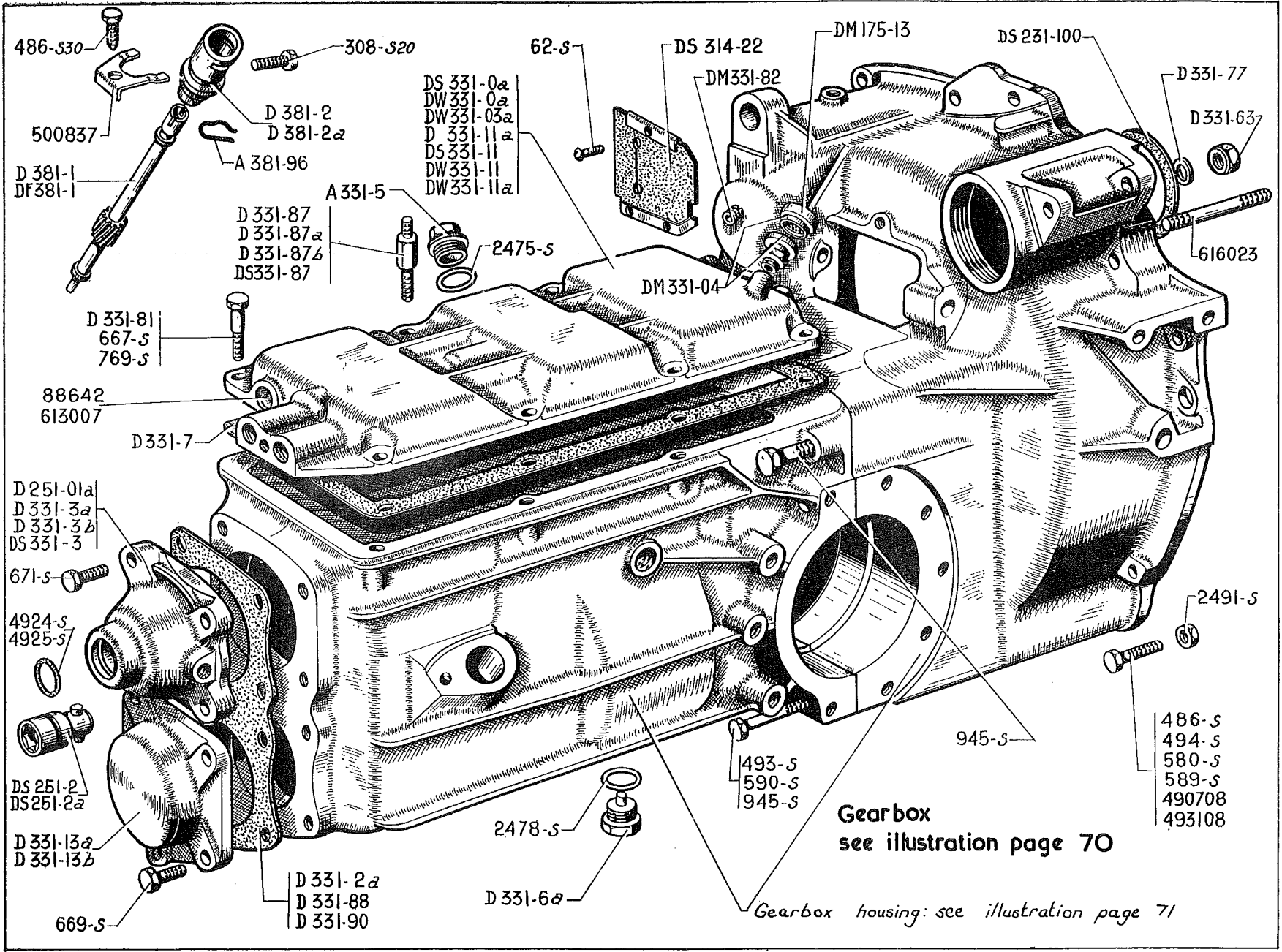
The numbers underlined indicate new parts which do not appear on the illustration.

70-GEARBOX COMPLETE

.NUMBER	CASING NUMBER	FIXING OF PIPE ASSEMBLY FLANGES	FIXING OF THE TRANSMISSION DRIVE	REMARKS
DS 33-0	DS 331-1c	At 2 points	By 7 mm diameter screws	Until March 1957.
DS 33-0a	-	At 3 points	-	March 1957 - September 1958.
DS 33-0c	DS 331-1d	-	-	September 1958 - September 1960.
DS 33-0j	DF 331-1d	-	-	- supplied without water pump driveshaft. September 1960 - October 1961.
DS 331-0i	-	-	By 9 mm diameter screws	<i>Hydraulic control. L.H. steering. October 1961 - July 1964. Replaced by DS 33-0r.</i>
DW 33-0a	DF 331-1e	without pipe assembly	-	<i>Mechanical control. L.H. steering. Until July 1964. Replaced by DM 33-0d.</i>
DW 33-01g	DM 331-1e	-	-	<i>Mechanical control. R.H. steering. Until July 1964. Replaced by DM 33-01j.</i>
DS 33-01m	DF 331-1d	At 3 points	-	<i>Hydraulic control. R.H. steering. Until July 1964. Replaced by DS 33-01q.</i>
DS 33-0r	-	-	-	Hydraulic control. L.H. steering. Since July 1964.
DS 33-01q	-	-	-	Hydraulic control. R.H. steering. Since July 1964.
DM 33-0d	DF 331-1e	without pipe assembly	-	Mechanical control. L.H. steering. Since July 1964.
DM 33-01j	DM 331-1e	-	-	Mechanical control. R.H. steering. Since July 1964.
Composition	Gearbox complete with clutch withdrawal fork and bearing, brake discs, lateral arms and upper support, water pump driveshaft.			

GEARBOX AND CLUTCH HOUSING-71

NUMBER	DIAMETER OF HOUSING FOR THE FRONT BEARINGS	TAPPED FOR DRIVESHAFT GREASER	DIAMETER OF HOLE SECURING SUSPENSION PUMP	LOCKING OF CLUTCH WITH-DRAWAL FORK SPINDLE	TAPPED FOR FIXING TUBE BETWEEN PUMP & CONTROL VALVE	DISTANCE BETWEEN BEARING FACES OF DYNAMO PLATES	REMARKS
	mm		mm			mm	
D 331-1b	68	with	16	By screws	without	86	<i>Until October 1957. Replaced by DS 331-1c; order in addition: 1-DS 251-2, 1-DS 314-16, 1-D 331-2a (R. VI), 1-D 331-3b, 1-D 331-13b, 1-D 332-95c or 1-D 332-95d, 1-4925-S (R. VI), 2-508.093 (R. I), 2-620.088 (R. I), 1-620.110 (R. VI).</i>
D 331-1c	62	-	-	-	-	-	<i>October 1957 - March 1958. Replaced by DS 331-1c; order in addition: 1-DS 314-16, 2-508.093 (R. I), 2-620.110 (R. VI).</i>
DS 331-1a	-	without	-	-	-	-	<i>March 1958 - September 1958. Replaced by DS 331-1c; order in addition: 1-DS 314-16, 2-508.093 (R. I).</i>
DS 331-1c	-	-	-	by circlips	-	-	For replacement of the preceding numbers.
DS 331-1	-	-	9	by screws	-	-	<i>September 1958 - May 1959. Replaced by DS 331-1d; order in addition: 1-DS 314-16, 2-508.093 (R. I).</i>
DS 331-1d	-	-	-	by circlips	with	-	May 1959 - September 1960.
DF 331-1d	-	-	-	-	-	100	Hydraulic control. Since September 1960.
DF 331-1e	-	-	-	-	-	-	Mechanical control. L.H. steering.
DM 331-1e	-	-	-	-	-	-	Mechanical control. R.H. steering.



486-530

500837

D 381-1
DF381-1

D 331-81
667-s
769-s

88642
613007

D 251-01a
D 331-3a
D 331-3b
DS 331-3

671-s

4924-s
4925-s

DS 251-2
DS251-2a

D 331-13a
D 331-13b

669-s

308-520

D 381-2
D 381-2a

A 381-96

D 331-87
D 331-87a
D 331-87b
DS331-87

A 331-5

DS 331-0a
DW 331-0a
DW 331-03a
D 331-11a
DS 331-11
DW 331-11
DW 331-11a

2478-s

D 331-2a
D 331-88
D 331-90

D 331-6a

62-s

DS 314-22

DM331-82

DM331-04

DM 175-13

DS 231-100

D 331-77

D 331-63

616023

2491-s

493-s
590-s
945-s

945-s

486-s
494-s
580-s
589-s
490708
493108

Gearbox
see illustration page 70

Gearbox housing: see illustration page 71

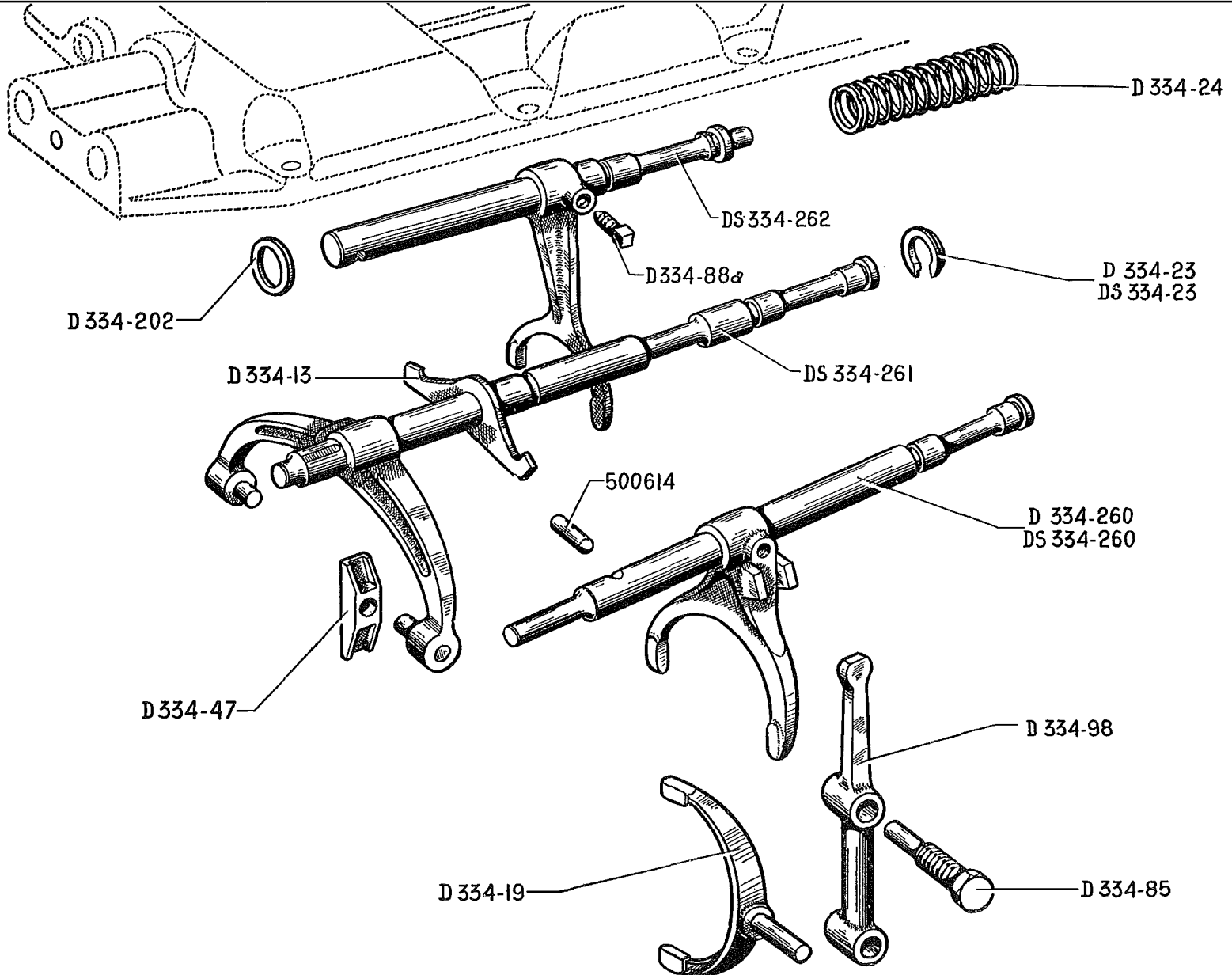
72-GEARBOX COMPLETE-HOUSING-LID

NUMBER	DESCRIPTION	No. OFF	NUMBER	DESCRIPTION	No. OFF	NUMBER	DESCRIPTION	No. OFF
A 331-5	Filler plug, hex. head, 30 diameter x 200 pitch.	1	DW 331-03a	Gearbox lid, upper, fitted with shafts, forks and bolts. R. H. steering. Mechanical control. Since July 1964.	1	<u>DS 331-11e</u>	Gearbox lid. Hydraulic control. Since July 1964.	1
A 381-96	Locking clip for speedometer cable, 2.5 mm thick. Since March 1958.	1	DM 331-04	Breather on gearbox with filter.	1	DW 331-11	Lid, upper, for gearbox (arrangement without breather). L. H. steering. Mechanical control. Until July 1964.	1
DM 175-13	Filter for breather on gearbox (R. VI).	1	D 331-2a	Joint, double, on front face of gearbox casing (R. VI).	1	DW 331-11a	Lid, upper, for gearbox (breather arrangement). Mechanical control. Until July 1964.	1
DS 231-100	Joint, paper, between clutch housing and cylinder block (40 x 50 x 0.1) (R. VI). Since October 1959.	1	D 331-3a	Front bearing cap for mainshaft, bearing housing 62 mm diameter, depth 2.15 mm. June 1957 - October 1957.	1	D 331-13a	Front bearing cap for bevel pinion shaft, bearing housing 62 mm diameter, depth 2.15 mm. Until October 1957.	1
D 251-01a	<i>Bearing cap for mainshaft front bearing complete with starting handle dog. Until June 1957. Replaced by D 331-3a; order in addition: 1-DS 251-2, 1-4.925-S (R. VI).</i>	1	D 331-3b	<i>Front bearing cap for mainshaft, bearing housing 67.5 mm diameter, depth 5.35 mm (with internal groove for ring seal). October 1957 - March 1962. Replaced by DS 331-3; order in addition: 1-DS 251-2a, 1-4.924-S (R. VI).</i>	1	D 331-13b	Front bearing cap for drive pinion shaft, bearing housing 67.5 mm diameter, depth 5.35 mm. Since October 1957.	1
DS 251-2	Starting handle dog with pin (assembly with ring seal in bearing cap). June 1957 - March 1962.	1	DS 331-3	Front bearing cap for mainshaft, bearing housing 67.5 mm diameter, depth 5.35 mm, (without internal groove for ring seal), Since March 1962.	1	D 331-63	Nut, hex., with collar, 12 diameter x 175 pitch, for assembling gearbox and clutch housing (R. VI).	4
DS 251-2a	Starting handle dog with pin (with groove for ring seal). Since March 1962.	1	D 331-6a	Drain plug, hex. head, 16 diameter x 150 pitch, with magnetised dowel (R. VI).	1	D 331-77	Washer, 12.5 x 18 x 2.5, under nuts assembling gearbox and clutch housing.	4
DS 314-22	Closing plate, rubber, for clutch withdrawal fork opening.	1	D 331-7	Joint, paper, for gearbox lid (R. VI).	1	D 331-81	Screw, hex. head, 8 diameter x 32 mm long, securing and centring gearbox lid. L. H. steering. R. H. steering.	2 1
<u>DM 331-0g</u>	Gearbox lid, fitted with shafts and forks. L.H. steering. Mechanical control. Since July 1964.	1	D 331-11a	<i>Lid for gearbox (assembly without breather). Hydraulic control. Replaced by DS 331-11; order in addition: 1-DM 331-82 (R. VI).</i>	1	DM 331-82	Air vent plug on gearbox lid, threaded 9 diameter x 125 pitch, 10 mm long (arrangement without breather) (R. VI). Since November 1962.	1
DS 331-0a	<i>Gearbox lid, fitted with shafts, forks and breather. Hydraulic control. Until July 1964. Replaced by DS 331-0e</i>	1	<u>DM 331-11f</u>	Gearbox lid, (2 holes threaded at the front and 1 hole threaded at the rear). Mechanical control. Since July 1964.	1	D 331-87	Shouldered stud, securing gearbox lid and support for rear R.H. and L.H. pipe assemblies, shoulder 25.5 mm long, threaded 8 diameter x 125 pitch, total length 66.5 mm. Since May 1956.	2
<u>DS 331-0e</u>	Gearbox lid, fitted with shafts and forks. Hydraulic control. Since July 1964.	1	DS 331-11	<i>Lid for gearbox with 1 tapping 9 diameter for filling breather. Hydraulic control. Until July 1964. Replaced by DS 331-11e.</i>	1			
DW 331-0a	Cover for gearbox complete. L.H. steering. Mechanical control. Until July 1964.	1						
<u>DM 331-03g</u>	Gearbox lid, fitted with shafts and forks. R.H. steering. Mechanical control. Since July 1964.	1						

GEARBOX COMPLETE-HOUSING-LID-75

NUMBER	DESCRIPTION	No. OFF	NUMBER	DESCRIPTION	No. OFF	NUMBER	DESCRIPTION	No. OFF
D 331-87a	Shouldered stud, securing gearbox lid and support for rear L.H. pipe assembly, cylindrical 14 mm diameter, length of shoulder 28 mm, threaded 8 diameter x 125 pitch, total length 66.5 mm. Since May 1956.	1	308-S 20	Screw, hex. head, 6 diameter x 25 long (slot on head) securing cable (R. III). Until March 1958.	1	769-S	Screw, hex. head, 8 diameter x 60 long, securing gearbox lid and pipe assembly supports (R. III). Until May 1956.	3
D 331-87b	Shouldered stud, securing gearbox lid, 8 diameter x 125 pitch, total length 42.5 mm. Since May 1956.	1	486-S	Screw, hex. head, 7 diameter x 22.5 long securing clutch housing on engine (R. III).	2	945-S	Screw, hex. head, 10 diameter x 48 long, assembling gearbox and clutch housing (R. III).	2
DS 331-87	Shouldered stud, securing gearbox lid, 28 mm shoulder, threaded 8 diameter x 125 pitch, total length 73.5 mm (R. VI). R.H. steering.	1	486-S 30	Screw, hex. head, pointed 7 diameter x 22.5 long, securing socket for speedometer pinion (R III).	1	2.475-S	C/A washer, 30.5 x 38 x 2.3 for filler plug (R. VI).	1
D 331-88	Joint for front bearing cap for bevel pinion shaft (R. VI). Until October 1957.	1	493-S	Screw, hex. head, 7 diameter x 40 long, assembling gearbox and clutch housing (R. III).	4	2.478-S	Joint, copper, 16.3 x 22 x 2, for drain plug (R. VI).	1
D 331-90	Joint for front bearing cap for mainshaft (R. VI). Until October 1957.	1	494-S	Screw, hex. head, 7 diameter x 42 long, securing clutch housing to sump (R. III).	2	2.491-S	Nut, hex., 7 diameter x 100 pitch, securing gearbox casing on sump (R. III).	2
D 381-1	Pinion for speedometer drive (15 teeth).	1	580-S	Screw, hex. head, 7 diameter x 32.5 long, securing clutch housing on engine (R. III).	1	4.924-S	Ring seal, 18.4 x 24.1 x 27 on starting handle dog (R. VI). Since March 1962.	1
DF 381-1	Pinion for speedometer drive (17 teeth) (mountain ratio assembly).	1	589-S	Screw, hex. head, 7 diameter x 60 long, securing clutch housing on engine (R. III).	2	4.925-S	Ring seal, 19.8 x 27 x 3.6, for front bearing cap for mainshaft (R. VI). June 1957 - March 1962.	1
D 381-2	Socket for speedometer pinion, with thread for oil return, cable locked by flexible clip. Since March 1958.	1	590-S	Screw, hex. head, 7 diameter x 65 long, assembling gearbox and clutch housing (R. III).	3	88.642	Expanding sealing washer, 15.9 mm diameter (R. I).	1
D 381-2a	Socket for speedometer pinion (cable locked by screw). Until March 1958. Replaced by D 381-2; order in addition: 1-A 381-96.	1	667-S	Screw, hex. head, 8 diameter x 25 long, securing gearbox lid (R. III). Until May 1956. Since May 1956.	3 2	490.708	Screw, round head, special 7 diameter x 22.5 long, securing clutch housing on engine (R. I).	2
62-S	Screw, round head, 4 diameter x 7.5 long, securing closing plate for clutch withdrawal fork opening (R. III).	3	669-S	Screw, hex. head, 8 diameter x 30 long, securing front bearing cap for drive pinion shaft (R. III). Until October 1957.	5	500-837	Clamp for speedometer pinion socket (R. I).	1
			671-S	Screw, hex. head, 8 diameter x 35 long, securing bearing cap (R. III). Until October 1957. Since October 1957.	4 9	613.007	Expanding sealing washer, 12 mm diameter (R. I).	1
						616.023	Stud, 12 diameter x 74 long, threaded 18 and 22 for assembling gearbox and clutch housing (R. I).	4

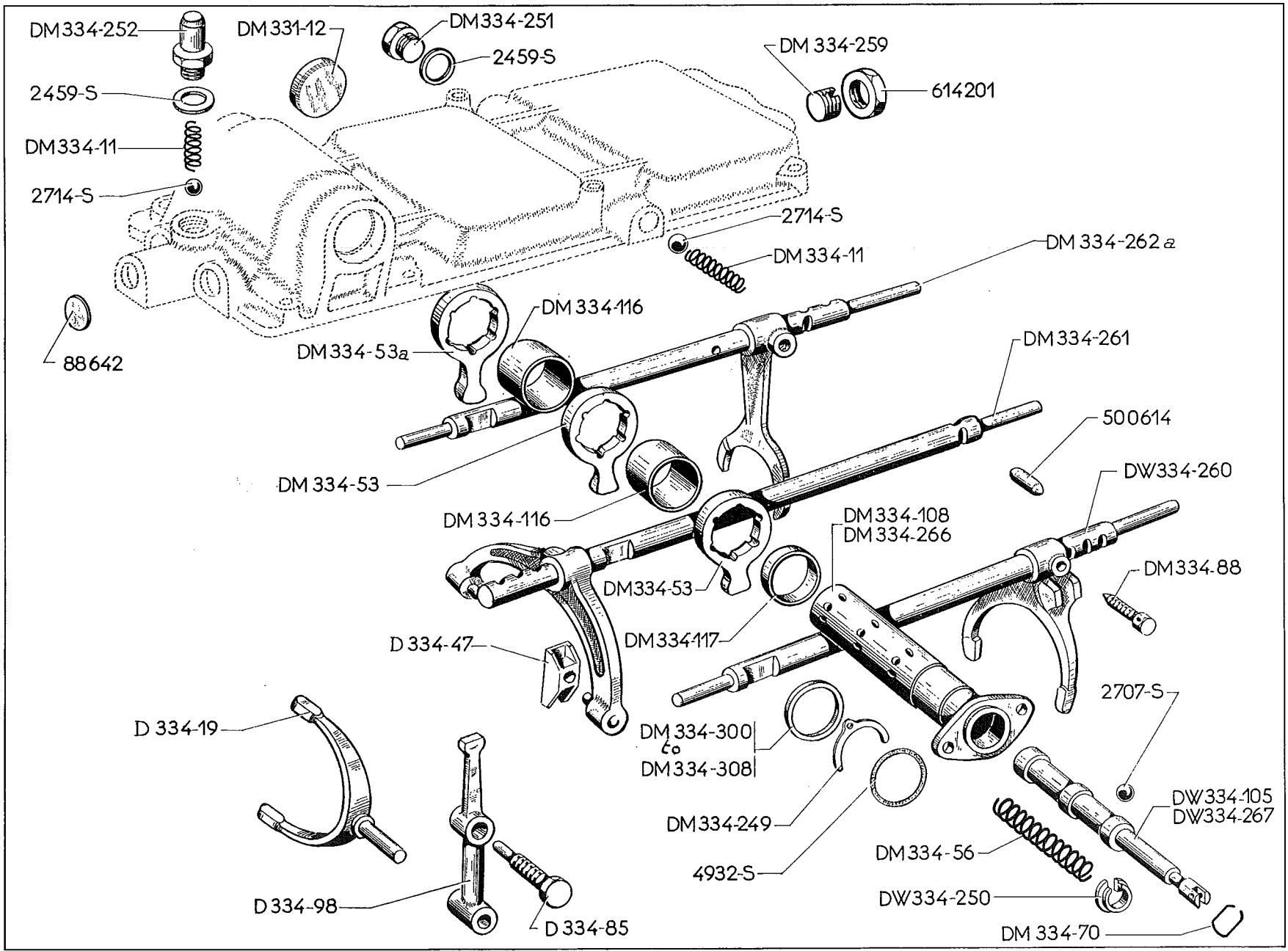
GEARBOX-FORKS AND SHAFTS-HYDRAULIC DRIVE-77



76-GEARBOX-FORKS AND SHAFTS-HYDRAULIC DRIVE

NUMBER	DESCRIPTION	No. OFF	NUMBER	DESCRIPTION	No. OFF	NUMBER	DESCRIPTION	No. OFF
D 334-13	Locking piece for 1st, 2nd and reverse speeds.	1	D 334-47	Slide block for 3rd and 4th speed selector fork.	2	D 334-260	<i>Shaft for 1st and 2nd speed selector fork (spindle diameter 14 mm. on 135.5 mm. of length). Until May 1956. Replaced by DS 334-260; order in addition: 1-DS 334-23.</i>	1
D 334-19	Selector fork for 1st speed.	1	D 334-85	Pin, hex. head (threaded 14 diameter 100 pitch) total length 44.5 mm. for lever controlling 1st speed selector fork.	1	DS 334-260	Shaft for 1st and 2nd speed selector fork (spindle diameter 14 mm. on 138.5 mm. of length). Since May 1956.	1
D 334-23	Thrust collar, open, for return spring, 3 mm. thick. Until May 1956. Since May 1956.	6 5	D 334-88a	Screw, square head pointed 9 diameter 16.5 long, securing fork.	3	DS 334-261	Shaft for 3rd and 4th speed selector fork.	1
DS 334-23	Thrust collar, open, for return spring for 1st and 2nd speeds, 6 mm. thick. Since May 1956.	1	D 334-98	Lever controlling 1st speed selector fork.	1	DS 334-262	Shaft for reverse speed selector fork.	1
D 334-24	Return spring for forks 19 x 25.2 x 13 coils.	3	D 334-202	Washer 14 x 20 x 1.4 on reverse speed selector fork shaft.	1	500.614	Locking plunger (9.5 x 18.2) (R.1).	2

78-GEARBOX-MECHANICAL CONTROL-FORKS AND SHAFTS



GEARBOX-MECHANICAL CONTROL-FORKS AND SHAFTS-79

NUMBER	DESCRIPTION	No. OFF	NUMBER	DESCRIPTION	No. OFF	NUMBER	DESCRIPTION	No. OFF
DM 331-12	Plug, 28 mm diameter for gear control housing.	1	DM 334-108	Support tube with flange for levers, controlling selector fork shafts, L.H. steering.	1	DM 334-262a	Reverse speed selector fork shaft, (214 mm long). Until July 1964.	1
<u>DW 334-1a</u>	Shaft for 1st and 2nd gear selector fork, 208 mm long. Since November 1964.	1	DM 334-116	Distance piece for levers controlling selector fork shafts, (28.5 x 32 x 23.2).	2	DM 334-266	Support tube for levers, R.H. steering.	1
DM 334-11	Thrust spring, for locking ball (6.8 x 9.2 x 14 coils). Since November 1964.	3	DM 334-117	Distance piece, for levers, controlling selector fork shafts, (28.5 x 32 x 6).	1	DW 334-367	Locking shaft, R.H. steering.	1
<u>DM 334-11b</u>	Thrust spring for locking ball for 1st and 2nd (6.2 x 9.2 x 12 coils). Since November 1964.	1	DM 334-249	Circlip retaining levers controlling selector fork shafts, (R. VI).	1		Washer for adjustment of levers controlling selector fork shafts, 28.5 x 36 :	As nec.
<u>DW 334-17</u>	Selector fork for 1st and 2nd. Since September 1962.	1	DW 334-250	Thrust collar, open, for thrust return spring, for locking shaft (8.5 x 22.5 x 3.5).	1	DM 334-300	1.76 mm thick.	
<u>DM 334-18</u>	Fork for reverse gear.	1				DM 334-301	1.85 mm thick.	
<u>DM 334-19</u>	Fork for 1st gear, total length 72.5 mm.	1				DM 334-302	1.94 mm thick.	
<u>DM 334-22</u>	Shaft for reverse gear selector fork, 257 mm long. Since July 1964.	1				DM 334-303	2.03 mm thick.	
D 334-47	Slide block for 3rd and 4th speed selector fork.	2				DM 334-304	2.12 mm thick.	
DM 334-53	Lever controlling fork shafts 58 mm long. Since July 1964.	2				DM 334-305	2.21 mm thick.	
DM 334-53a	Lever controlling fork shaft, for reverse speed, 61 mm long. Until July 1964.	1				DM 334-306	2.3 mm thick.	
DM 334-56	Return spring for locking shaft, (14 x 19 x 15 coils).	1				DM 334-307	2.39 mm thick.	
DM 334-70	Circlip for return spring thrust washer, for locking shaft.	1				DM 334-308	2.48 mm thick.	
D 334-85	Pin, hex. head, (threaded 14 diameter x 100 pitch), total length 44.5 mm, for lever, controlling 1st speed selector fork.	1	DM 334-251	Screw, hex. head, 14 diameter x 8 long, for 1st, 2nd and reverse speed, locking ball thrust spring.	2	2.549-S	Joint, copper, 14.3 x 19 x 1, under thrust screw for locking ball spring (R. VI).	3
DM 334-88	Screw, hex. head, pointed, 9 diameter x 18.5 long, securing fork.	3	DM 334-252	Screw, hollow, (threaded 14 diameter x 150 pitch) for 3rd and 4th speed, locking ball thrust spring.	1	2.707-S	Ball, 6 diameter locking levers controlling selector fork shafts (R. VI).	18
D 334-98	Lever controlling 1st speed selector fork.	1	DM 334-259	Grub screw for fork shaft spindle, (threaded 16 diameter x 150 pitch, 15 mm long).	3	2.714-S	Ball, 9.52 diameter for gear locking (R. VI).	3
DW 334-105	Locking shaft for levers, controlling selector fork shafts. L.H. steering.	1	DW 334-260	<i>1st and 2nd speed selector fork and shaft (208 mm long). Until November 1964. Replaced by DW 334-1a. Order in addition: 1-DM 334-11b, 1-DW 334-17.</i>	1	4.932-S	Ring seal, 24.2 x 28 x 1.9, for lever support tube (R. VI).	1
			DM 334-261	3rd and 4th speed selector fork and shaft (242 mm long).	1	88.642	Expanding washer, 15.9 mm diameter, closing holes for 3rd and 4th speed selector fork shaft (R. I).	3
						500.614	Safety lock, (9.5 x 18.2) (R. I).	2
						614.201	Nut, hex., 16 diameter x 150 pitch, 5 mm high, locking thrust screw of selector fork shaft (R. II).	3

The numbers underlined indicate new parts which do not appear on the illustration.

Catalogue No. 466 - March 1965.

80-GEARBOX-HYDRAULIC CONTROL-PINIONS-SHAFTS

NUMBER	DESCRIPTION	No. OFF	NUMBER	DESCRIPTION	No. OFF	NUMBER	DESCRIPTION	No. OFF
D 314-29	Sealing ring on mainshaft (20 x 35 x 18) (R. VI).	1	DS 332-98	Dowel, 2.7 x 2.9 x 5 for half washers between 2nd and 3rd speed pinions. Since December 1956.	1	D 333-7a	Intermediate reverse pinion, 10 teeth, total length 72.35 mm (mainshaft 2nd speed pinion 18 teeth). April 1956 - January 1961.	1
D 314-60	Circlip for sealing ring (17.8 x 21.8 x 2). Until January 1957.	1				DS 333-7a	<i>Intermediate reverse pinion, 10 teeth, total length 80.84 mm (mainshaft 2nd speed pinion 17 teeth). July 1961 - May 1963. Replaced by DS 333-040.</i>	1
D 331-89a	Housing for front bearing on bevel pinion (5 holes 9 mm diameter). Until October 1957.	1		Thrust washer for rear ball bearing on mainshaft, 20 x 28.	As nec.	DS 333-7b	<i>Intermediate reverse pinion, 10 teeth, total length 72.35 mm, (mainshaft 2nd speed pinion 17 teeth). January 1961 - July 1961. Replaced by DS 333-040; order in addition: 1-DS 333-80 (R. VI).</i>	1
D 331-91a	Housing for front bearing on mainshaft (4 holes 9 mm diameter). Until October 1957.	1	D 332-300	4.5 mm thick.		DS 333-7c	<i>Intermediate reverse pinion, 10 teeth, housing for bearing 32 mm diameter. May 1963 - July 1964. Replaced by DS 333-040.</i>	1
D 332-1b	<i>Mainshaft, 503 mm long (with groove for sealing ring circlip). Until January 1957. Replaced by DS 332-1; order in addition: 1-DS 332-91.</i>	1	D 332-301	4.53 mm thick.		DS 333-7e	Intermediate reverse pinion, 47.2 mm long. Since July 1964.	1
DS 332-1	<i>Mainshaft, 503 mm long (without groove for sealing ring circlip). January 1957 - November 1963. Replaced by DS 332-1a; order in addition: 1-DS 332-4 (R. VI).</i>	1	D 332-302	4.56 mm thick.		D 333-8	<i>3rd speed mainshaft pinion with dogs (22 teeth, helix angle 31° 50'). Until July 1957. Replaced by DS 333-8; order in addition: 1-DS 333-16.</i>	1
DS 332-1a	Mainshaft (fitted with dog nut without lockwasher). Since November 1963.	1	D 332-303	4.59 mm thick.		DS 333-8	3rd speed mainshaft pinion with dogs (22 teeth, helix angle 33° 30'). Since July 1957.	1
D 332-2	<i>Shaft for intermediate reverse pinion (16 x 120). Until June 1964. Replaced by DS 332-2.</i>	1	D 332-304	4.62 mm thick.		D 333-9	<i>Intermediate reverse speed sliding pinion, 28 teeth, total length 29.5 mm. Replaces type 38 mm long. Until July 1964. Replaced by DS 333-040.</i>	1
DS 332-2	Shaft for intermediate reverse pinion (16 x 124). Since June 1964.	1	D 332-305	4.65 mm thick.		DS 333-9c	Intermediate reverse speed sliding pinion, total length 28.3 mm. Since July 1964.	1
D 332-4	Dog nut for starting handle, 16 x 150 internal bore diameter, bore 7 mm. Until November 1963.	1	D 332-306	4.68 mm thick.		D 333-12	1st speed mainshaft pinion (11 teeth, 18 splines).	1
DS 332-4	Dog nut for starting handle, 18 x 125 (R. VI). Since November 1963.	1	D 332-307	4.71 mm thick.		D 333-13	1st speed pinion on drive pinion shaft (39 teeth).	1
D 332-84	Lockwasher for starting handle dog nut (internal diameter 17 mm). Until November 1963.	1	D 332-308	4.74 mm thick.				
DS 332-91	Distance piece for sealing ring (20 x 21.6 x 118.8). Since January 1957.	1	D 332-309	4.77 mm thick.				
D 332-94	Grub screw, pointed, 7 diameter x 31 long, securing shaft.	1	D 332-310	4.80 mm thick.				
D 332-95	Washer, 54 x 61 for front bearing adjustment. Until October 1957.	As nec.	D 332-311	4.83 mm thick.				
D 332-95a	0.05 mm thick.		D 332-312	4.86 mm thick.				
D 332-95b	0.10 mm thick.		D 332-313	4.89 mm thick.				
	0.20 mm thick.		D 332-314	4.92 mm thick.				
	Washer, 54 x 66.5 for front bearing adjustment. Since October 1957.	As nec.	D 332-315	4.95 mm thick.				
D 332-95c	0.1 mm thick.	As nec.	D 332-316	4.98 mm thick, (and thrust for sealing ring).				
D 332-95d	0.05 mm thick.	As nec.	D 332-317	5.01 mm thick.				
			D 332-318	5.04 mm thick.				
			D 332-319	5.07 mm thick.				
			D 332-320	5.10 mm thick.				
			D 332-321	5.13 mm thick.				
			D 332-322	5.16 mm thick.				
			D 332-323	5.19 mm thick.				
			D 332-324	5.22 mm thick.				
			D 332-325	5.25 mm thick.				
			D 332-326	5.28 mm thick.				
			D 332-327	5.31 mm thick.				
			D 332-328	5.34 mm thick.				
			D 332-329	5.49 mm thick.				
			D 332-330	6.48 mm thick.				
			<u>DS 334-040</u>	Assembly of intermediate reverse gear pinions. Since July 1964.	1			
			D 333-7	<i>Intermediate reverse pinion (10 teeth, total length 73 mm). Until April 1956. Replaced by D 333-7a; order in addition: 1-D 333-74, a, b, c, or d according to adjustment.</i>	1			

GEARBOX-HYDRAULIC CONTROL-PINIONS-SHAFTS-83

NUMBER	DESCRIPTION	No. OFF	NUMBER	DESCRIPTION	No. OFF	NUMBER	DESCRIPTION	No. OFF
D 333-14c	<i>2nd speed mainshaft pinion, 18 teeth, 7° angle. Until June 1958. Replaced by DS 333-14a (see schedule page 34).</i>	1	<u>DS 333-73d</u>	Distance piece between needle bearing cages for intermediate reverse speed pinion (16.6 x 18.9 x 9) (R. VI). Since July 1964.	1	DF 333-97	Distance piece for drive pinion (mountain ratio assembly). Thrust washer for drive pinion front bearing, 25 x 33:	1 As nec.
DS 333-14	<i>2nd speed mainshaft pinion, 18 teeth, 7° 30' angle. June 1958 - January 1961. Replaced by DS 333-14a (see schedule page 84).</i>	1		Washer, 16 x 26, for adjustment of intermediate reverse speed pinion. April 1956 - July 1961.	As nec.	D 333-300	2.65 mm thick.	
DS 333-14a	<i>2nd speed mainshaft pinion, 17 teeth. Since January 1961.</i>	1	D 333-74	1.58 mm thick.		D 333-301	2.69 mm thick.	
D 333-15	<i>2nd and reverse speed pinion on drive pinion shaft, 34 teeth. Until January 1961. Replaced by DS 333-15 (see schedule page 84).</i>	1	D 333-74a	1.69 mm thick.		D 333-302	2.73 mm thick.	
DS 333-15	<i>2nd and reverse speed pinions on drive pinion shaft, 33 teeth. Since January 1961.</i>	1	D 333-74b	1.80 mm thick.		D 333-303	2.77 mm thick.	
D 333-16	<i>3rd and 4th speed gear-train on drive pinion shaft (23 and 27 teeth, helix angle of 3rd speed pinion 31° 50'). Until July 1957. Replaced by DS 333-16; order in addition: I-DS 333-3.</i>	1	D 333-74c	1.91 mm thick.		D 333-304	2.81 mm thick.	
DS 333-16	<i>3rd and 4th speed gear train on drive pinion shaft (23 and 27 teeth), helix angle of 3rd speed pinion 33° 30'. Since July 1957.</i>	1	D 333-74d	2.02 mm thick.		D 333-305	2.85 mm thick.	
DS 333-17	<i>4th speed mainshaft pinion with dogs (27 teeth, assembly without washer between teeth and dogs). Replaces type with washer.</i>	1	<u>DS 333-75a</u>	Bush for reverse gear sliding pinion (19 x 37.5 x 30.3). Since July 1964.	1	D 333-306	2.89 mm thick.	
D 333-18b	<i>Reverse speed mainshaft pinion, 25 teeth. Until June 1958. Replaced by DM 333-18 (see schedule page 84).</i>	1	DS 333-80	Stop washer with lug for intermediate reverse speed pinion (R. VI). Since July 1961.	1	D 333-307	2.93 mm thick.	
DM 333-18	<i>Reverse speed mainshaft pinion, (25 teeth). Since June 1958.</i>	1	D 333-81	Dowel between 3rd and 4th speed train and 2nd and reverse speed pinion on drive pinion shaft (8 x 17). Until April 1962. Since April 1962.	6 3	D 333-308	2.97 mm thick.	
D 333-73	<i>Distance piece between needle bearing cages in intermediate reverse speed pinion (length 28.15 mm, replaces one 28.7 mm long) (R. VI). Until July 1961.</i>	1		Half washer between 2nd and 3rd speed mainshaft pinions.	As nec.	D 333-309	3.01 mm thick.	
DS 333-73	<i>Distance piece between needle bearing cages in intermediate reverse speed pinion (16.6 x 18.9 x 42.28) (R. VI). July 1961 - May 1963.</i>	1	D 333-83	2.77 to 2.80 mm thick.		D 333-310	3.05 mm thick.	
DS 333-73a	<i>Distance piece between needle bearing cages in intermediate reverse speed pinion (16.6x18.9x48 (R. VI). May 1963 - July 1964.</i>	1	D 333-83a	2.80 to 2.83 mm thick.		D 333-311	3.09 mm thick.	
			D 333-83b	2.83 to 2.86 mm thick.		D 333-312	3.13 mm thick.	
			D 333-83c	2.86 to 2.89 mm thick.		D 333-313	3.17 mm thick.	
			D 333-83d	2.89 to 2.92 mm thick.		D 333-314	3.21 mm thick.	
			D 333-83e	2.92 to 2.95 mm thick.		D 333-315	3.25 mm thick.	
			D 333-84	Washer, 40 x 45 x 2.7, locking half-washers between 2nd and 3rd speed mainshaft pinions.	1	D 333-316	3.29 mm thick.	
				Washers (16 x 23) for adjustment of intermediate reverse speed pinion. Until April 1956.	As nec.	D 333-317	3.33 mm thick.	
			D 333-86	0.88 mm thick.		D 333-318	3.37 mm thick.	
			D 333-86a	0.94 mm thick.		D 333-319	3.41 mm thick.	
			D 333-86b	1 mm thick.		D 333-320	3.45 mm thick.	
			D 333-86c	1.06 mm thick.		D 333-321	3.49 mm thick.	
			D 333-86d	1.12 mm thick.		D 333-322	3.53 mm thick.	
			D 333-86e	1.18 mm thick.		D 333-323	3.57 mm thick.	
			D 333-86f	1.24 mm thick.		D 333-324	3.61 mm thick.	
			D 333-86g	1.30 mm thick.		D 333-325	3.65 mm thick.	
			D 333-86h	<i>1.36 mm thick. No longer supplied.</i>		D 333-326	3.69 mm thick.	
			<u>DS 333-86</u>	Thrust washer, for intermediate reverse speed pinion needle bearings (20 x 32 x 3). May 1963 - July 1964.	1	D 333-327	3.73 mm thick.	
						D 333-328	3.77 mm thick.	
						D 333-329	3.81 mm thick.	
						D 333-330	3.85 mm thick.	
						D 333-331	3.89 mm thick.	
						D 333-332	3.93 mm thick.	
						D 333-333	3.97 mm thick.	
						D 333-334	4.01 mm thick.	
						D 333-335	4.05 mm thick.	
						D 333-336	4.09 mm thick.	
						D 333-337	4.13 mm thick.	
						D 333-338	4.17 mm thick.	
						D 333-339	4.21 mm thick.	
						D 333-340	4.25 mm thick. (mountain ratio assembly).	
						D 333-341	2.17 mm thick.	
						D 333-344	2.29 mm thick.	
						D 333-347	2.41 mm thick.	
						D 333-350	2.53 mm thick.	
						DM 335-05a	2nd speed synchromesh. Since June 1958.	1 Catalogue No. 466 - November 1964.

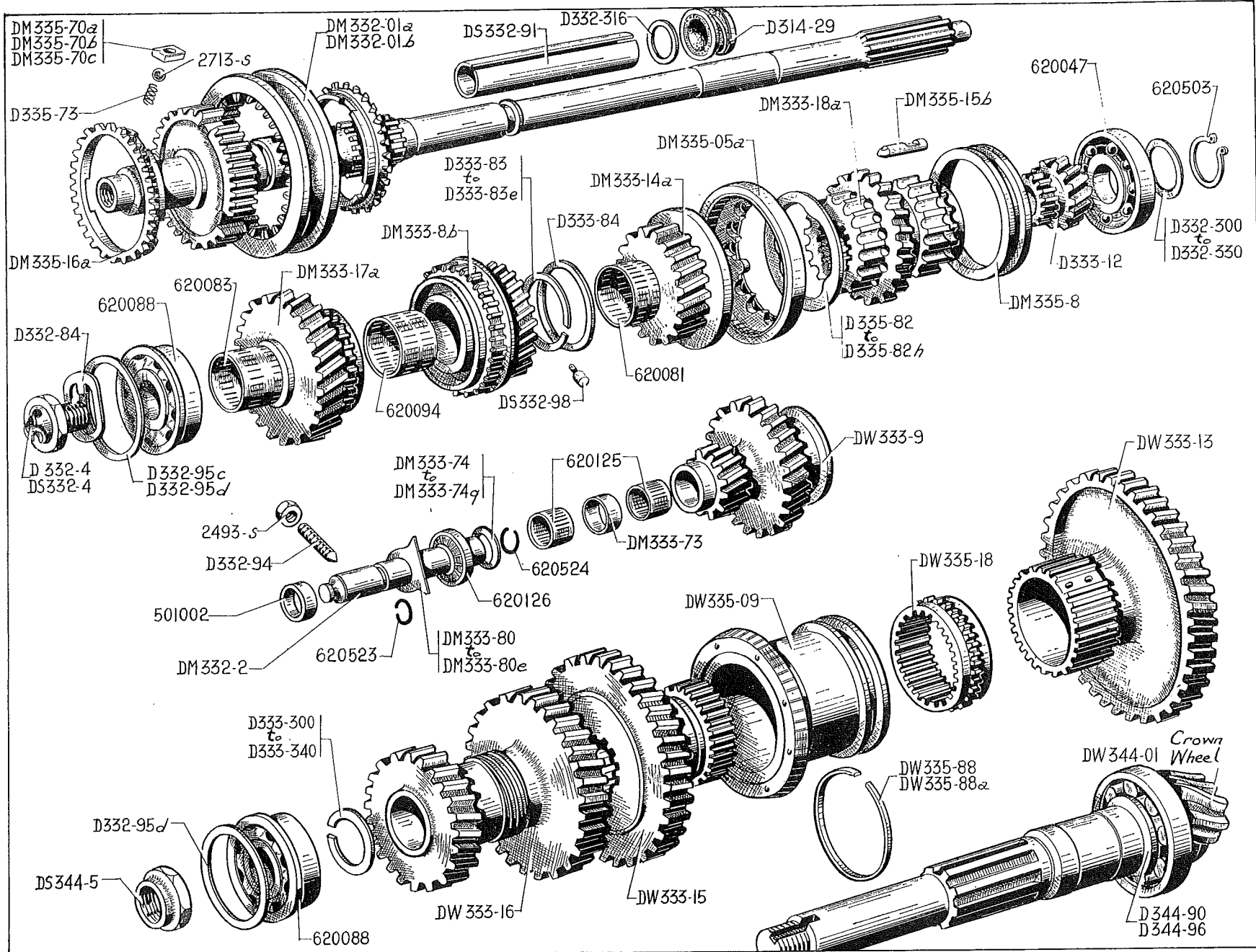
The numbers underlined indicate new parts which do not appear on the illustration.

84-GEARBOX-HYDRAULIC CONTROL-PINIONS-SHAFTS

NUMBER	DESCRIPTION	No. OFF	NUMBER	DESCRIPTION	No. OFF	NUMBER	DESCRIPTION	No. OFF
D 335-06b	Synchromesh double for 3rd and 4th speed pinions.	1	D 344-94	<i>Lockwasher for nut, locking drive pinion. Until July 1957. No longer supplied. (See Technical Note No. 676).</i>	1	620.081	Cage for needle bearings, 33 x 36 x 30 for 2nd speed mainshaft pinion (R. VI).	1
D 335-8	Sliding collar operating meshing plungers.	1	D 344-96	Locking ring for rear roller bearing on drive pinion (shaft side) without chamfer.	1	620.082	Cage for needle bearings, 33 x 36 x 33.2 for 3rd speed mainshaft pinion (R. VI).	1
D 335-9a	1st speed sliding collar.	1	2.493-5	Nut, hex., 7 diameter x 100 pitch, for locking grub screw on reverse speed shaft (R. III).	1	620.083	Cage for needle bearings, 33 x 36 x 36 for 4th speed mainshaft pinion (R. VI).	1
D 335-13a	<i>2nd speed synchromesh. Until June 1958. Replaced by DM 335-05a (see schedule Page 84).</i>	1	500.367	Rear bearing for drive pinion (30 x 72 x 19) (R. VI). (Mountain use).	1	620.087	Cage for needle bearings, 16 x 19 x 18 for intermediate reverse pinion (R. VI). Until July 1961.	2
D 335-15	Set of 12 meshing plungers. Internally toothed ring for adjusting 2nd speed synchromesh.	As nec.	501.002	Cap for hole for reverse speed shaft, 20 mm diameter (R. I).	1	620.088	Double bearing, shouldered, 25 x 62 x 67.5 x 25.4 (R. I). Since October 1957.	1
D 335-82	0.4 mm thick.		508.173	Dowel, 3.5 x 5 holding half-washer between 2nd and 3rd speed pinion (R. VI). Until December 1956.	1	620.125	Cage for needle bearings (16 x 19 x 20) for intermediate reverse pinion (R. VI). July 1961 - May 1963.	2
D 335-82a	0.7 mm thick.		613.006	Threaded plug, 7 diameter x 12.5 pitch, 6 mm long (R. I). Until February 1959.	1	620.126	Needle thrust bearing (16 x 31.4 x 2.8) for reverse speed sliding pinions (R. VI). July 1961 - July 1964.	1
D 335-82b	1 mm thick.		620.047	Bearing, 20 x 62 x 17 on rear of mainshaft (R. VI).	1	620.252	Ball bearings, 16 x 32 x 9 for intermediate reverse pinion (R. VI). May 1963 - July 1964.	1
D 335-82c	1.2 mm thick.		620.072	Ball thrust bearing, 16 x 30 x 9.5 for intermediate reverse pinion (R. I). Until July 1961.	2	<u>620.262</u>	Needle bearing cage for intermediate reverse pinion (16 x 19 x 16) (R. VI). Since July 1964.	2
D 335-82d	1.5 mm thick.		620.080	Double ball bearing (25 x 62 x 25.4) marked D on inner race (R. I). Until October 1957.	1	620-503	Circlip for locking bearing (R. VI).	2
D 335-82e	0.2 mm thick.							
D 335-82f	0.35 mm thick.							
D 335-82g	0.50 mm thick.							
D 335-82h	0.60 mm thick.							
DS 344-01	Crown wheel and bevel pinion, 8 x 31 with rear bearing fitted. Replaces 9 x 35 type.	1						
DF 344-02	Crown wheel and bevel pinion, 7 x 31 (mountain use).	1						
DS 344-5	Nut, hex., 24 diameter x 150 pitch, with shoulder 25 mm diameter locking drive pinion (replaces type with 30 mm diameter shoulder).	1						
D 344-90	Locking ring for rear roller bearing on drive pinion (toothed side), internal chamfer on one face.	1						

Arrangement	By replacement of one of these parts	It is necessary to change all the following parts
Until June 1958	<ul style="list-style-type: none"> - D 333-14c pinion - D 333-15 - - D 333-18b - - D 335-13a synchromesh 	1-DS 333-040, 1-DS 333-14a, 1-DS 333-15, 1-DM 333-18, 1-DS 333-80 (R. VI), 1-DM 335-05a.
June 1958 - January 1961	<ul style="list-style-type: none"> - DS 333-14 pinion - D 333-15 - 	1-DS 333-040, 1-DS 333-14a, 1-DS 333-15, 1-DS 333-80 (R. VI).

86-GEARBOX-MECHANICAL CONTROL-PINIONS-SHAFTS



GEARBOX -MECHANICAL CONTROL-PINIONS-SHAFTS-87

NUMBER	DESCRIPTION	No. OFF	NUMBER	DESCRIPTION	No. OFF	NUMBER	DESCRIPTION	No. OFF
D 314-29	Sealing ring on mainshaft, (20 x 35 x 18) (R. VI).	1	D 332-302	4.56 mm thick.		DW 333-9	<i>Intermediate sliding reverse pinion, 17 teeth, 72.4. Until July 1964. Replaced by DS 333-040; order in addition: 1-DS 333-18a, 1-DS 333-80, (R. VI), 1-DM 334-22, 1-DM 334-53, 1-DM 334-259, 1-614.201.</i>	1
DM 332-01a	<i>Mainshaft for gearbox with 3rd and 4th speed synchronesh, (straight tooth entry) Until November 1963. Replaced by DM 332-01b; order in addition; 1-DS 332-4 (R. VI).</i>	1	D 332-303	4.59 mm thick.		D 333-12	1st speed mainshaft pinion, (11 teeth, 18 splines).	1
DM 332-01b	Mainshaft for gearbox with 3rd and 4th speed synchronesh (fitted with dog nut without lockwasher). Since November 1963.	1	D 332-304	4.62 mm thick.		DW 333-13	1st speed pinion, on drive pinion shaft, 44.5 mm long (39 teeth).	1
<u>DM 332-2</u>	Shaft for intermediate reverse pinion (16 x 120, 1 groove for locking circlip). Until July 1964.	1	D 332-305	4.65 mm thick.		DM 333-14a	2nd speed mainshaft pinion (17 teeth)	1
DS 332-2	Shaft for intermediate reverse pinion, (16 x 124). Since July 1964.	1	D 332-306	4.68 mm thick.		<u>DS 333-15a</u>	Pinion of 2nd speed and reverse. Since July 1964.	1
D 332-4	Starting handle, dog nut, 16 diameter x 150 pitch, 7 mm diameter bore. Until November 1963.	1	D 332-307	4.71 mm thick.		DW 333-15	<i>Pinion, 2nd speed and reverse on drive pinion, without hole for driving dowel (33 teeth). Until July 1964. Replaced by DS 333-15a; order in addition: 1-DS 333-040, 1-DS 333-18a, 1-DS 333-80, (R. VI), 1-DM 334-22, 1-DM 334-53, 1-DM 334-259, 1-614.201.</i>	1
DS 322-4	Dog nut for starting handle, 18 x 125 (R. VI). Since November 1963.	1	D 332-308	4.74 mm thick.	1	DW 333-16	3rd and 4th speed gear-train on drive pinion shaft, without holes for driving dowel, interior splines (23 and 27 teeth).	1
D 332-84	Lockwasher, for starting handle, dog nut (internal diameter 17 mm). Until November 1963.	1	D 332-309	4.77 mm thick.		DM 333-17a	4th speed mainshaft pinion, same as DM 333-17, except dogs with straight tooth entry.	1
DS 332-91	Distance piece for sealing ring (20 x 21.6 x 118.8).	1	D 332-310	4.80 mm thick.		DM 333-18a	<i>Reverse gear mainshaft pinion, (16 teeth, spiral teeth). Until July 1964. Replaced by DS 333-18a; order in addition: 1-DS 333-040, 1-DS 333-80 (R. VI), 1-DM 334-22, 1-DM 334-53, 1-DM 334-259, 1-614.201.</i>	1
D 332-94	Grub screw, pointed, 7 diameter x 31 long, securing shaft.	1	D 332-311	4.83 mm thick.		DM 333-73	Distance piece between needle bearing cages on intermediate reverse speed pinion (16.6 x 19 x 9.5) (R. VI). Until July 1964.	1
	Adjusting washer, 54 x 66.5, for front of mainshaft and front bearing of drive pinion shaft.	As nec.	D 332-312	4.86 mm thick.		<u>DS 333-73d</u>	Distance piece between needle bearing cages on intermediate reverse speed pinion (16.6 x 18.9 x 9) (R. VI) Since July 1964.	1
D 332-95c	0.1 mm thick.		D 332-313	4.89 mm thick.				
D 332-95d	0.05 mm thick.		D 332-314	4.92 mm thick.				
DS 332-98	Dowel, 2.7 x 2.9 x 5, for half washers between 2nd and 3rd speed pinions (R. VI).	1	D 332-315	4.95 mm thick.				
	Thrust washer for rear ball bearing on mainshaft of gearbox, 20 x 28.	As nec.	D 332-316	4.98 mm thick (and spacer for sealing ring).	1			
D 332-300	4.5 mm thick.		D 332-317	5.01 mm thick.				
D 332-301	4.53 mm thick.		D 332-318	5.04 mm thick.				
			D 332-319	5.07 mm thick.				
			D 332-320	5.10 mm thick.				
			D 332-321	5.13 mm thick.				
			D 332-322	5.16 mm thick.				
			D 332-323	5.19 mm thick.				
			D 332-324	5.22 mm thick.				
			D 332-325	5.25 mm thick.				
			D 332-326	5.28 mm thick.				
			D 332-327	5.31 mm thick.				
			D 332-328	5.34 mm thick.				
			D 332-329	5.49 mm thick.				
			D 332-330	6.48 mm thick.				
			<u>DS 333-040</u>	Assembly of reverse gear pinions. Since July 1964.	1			
			<u>DS 333-7e</u>	Reverse gear pinion, 47.2 mm long. Since July 1964.	1			
			DM 333-8b	3rd speed mainshaft pinion.	1			
			<u>DS 333-9c</u>	Sliding pinion for reverse gear, total length 28.3 mm. Since July 1964.	1			

The numbers underlined indicate new parts which do not appear on the illustration.

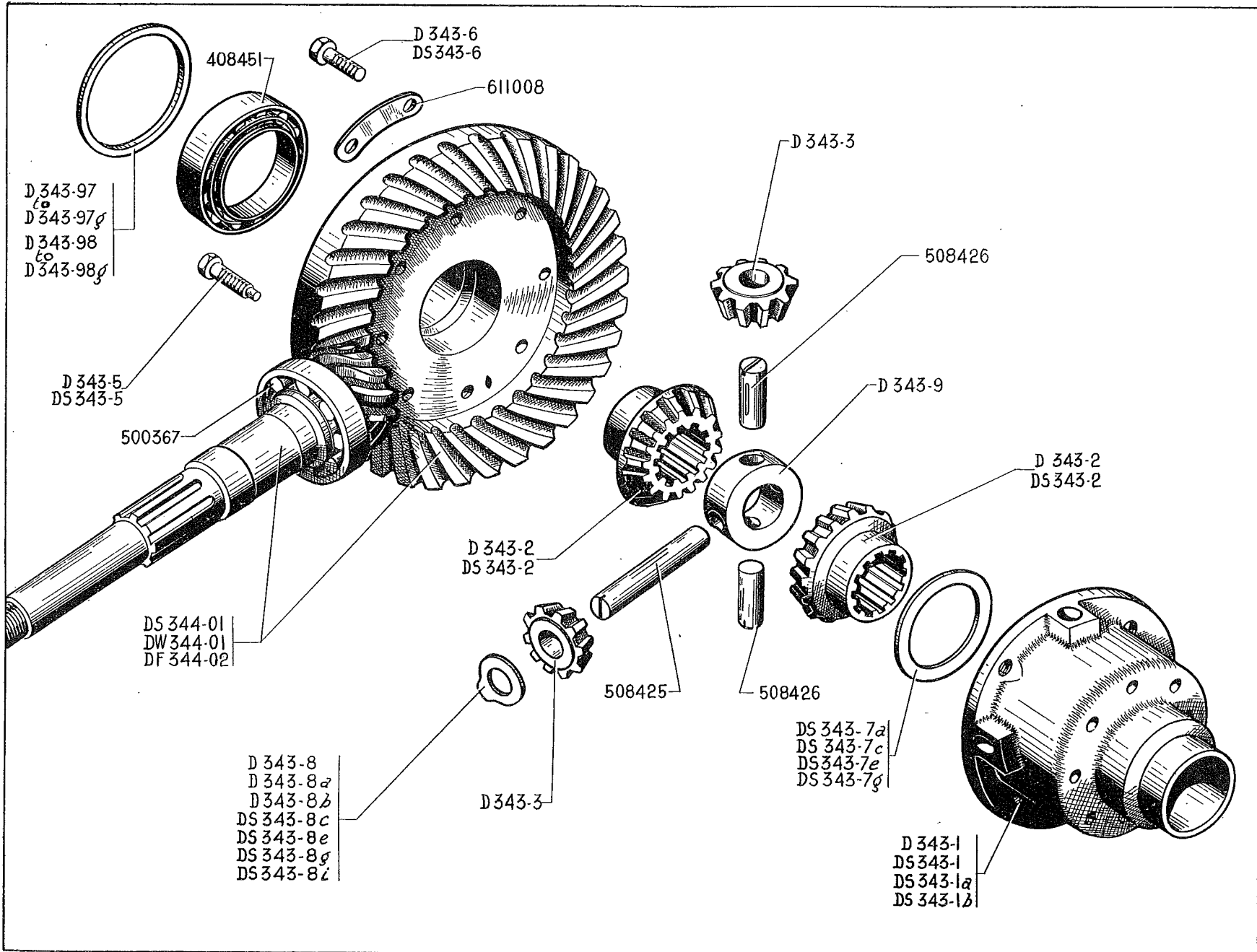
88-GEARBOX-MECHANICAL CONTROL-PINIONS-SHAFTS

NUMBER	DESCRIPTION	No. OFF	NUMBER	DESCRIPTION	No. OFF	NUMBER	DESCRIPTION	No. OFF
	Washer, .16 x 17.5 diameter for adjusting intermediate reverse speed pinion (R. VI):	As nec.		Half washer between 2nd and 3rd speed mainshaft pinions.	As nec.	D 333-314	3.21 mm thick.	
DM 333-74	0.4 mm thick.		D 333-83	2.77 to 2.80 mm thick.		D 333-315	3.25 mm thick.	
DM 333-74a	0.7 mm thick.		D 333-83a	2.80 to 2.83 mm thick.		D 333-316	3.29 mm thick.	
DM 333-74b	1 mm thick.		D 333-83b	2.83 to 2.86 mm thick.		D 333-317	3.33 mm thick.	
DM 333-74c	1.3 mm thick.		D 333-83c	2.86 to 2.89 mm thick.		D 333-318	3.37 mm thick.	
DM 333-74d	1.6 mm thick.		D 333-83d	2.89 to 2.92 mm thick.		D 333-319	3.41 mm thick.	
DM 333-74e	1.9 mm thick.		D 333-83e	2.92 to 2.95 mm thick.		D 333-320	3.45 mm thick.	
DM 333-74f	2.2 mm thick.		D 333-84	Washer, 40 x 45 x 2.7 locking half washers between 2nd and 3rd speed mainshaft pinions.	1	D 333-321	3.49 mm thick.	
DM 333-74g	2.5 mm thick.			Thrust washer for drive pinion front bearing, 25 x 33:	As nec.	D 333-322	3.53 mm thick.	
DM 333-74h	2.8 mm thick.		D 333-300	2.65 mm thick.		D 333-323	3.57 mm thick.	
DM 333-74i	3.1 mm thick.		D 333-301	2.69 mm thick.		D 333-324	3.61 mm thick.	
DM 333-74j	3.4 mm thick.		D 333-302	2.73 mm thick.		D 333-325	3.65 mm thick.	
DM 333-74k	3.7 mm thick.		D 333-303	2.77 mm thick.		D 333-326	3.69 mm thick.	
DM 333-74m	4 mm thick.		D 333-304	2.81 mm thick.		D 333-327	3.73 mm thick.	
DM 333-74n	4.3 mm thick.		D 333-305	2.85 mm thick.		D 333-328	3.77 mm thick.	
DM 333-74p	4.6 mm thick.		D 333-306	2.89 mm thick.		D 333-329	3.81 mm thick.	
DM 333-74q	4.9 mm thick.		D 333-307	2.93 mm thick.		D 333-330	3.85 mm thick.	
<u>DS 333-75a</u>	Bush for reverse gear sliding pinion (19 x 37.5 x 30.3). Since July 1964.	1	D 333-308	2.97 mm thick.		D 333-331	3.89 mm thick.	
	Stop washer with lug for intermediate reverse speed pinion:	As nec.	D 333-309	3.01 mm thick.		D 333-332	3.93 mm thick.	
DM 333-80	1.54 mm thick.		D 333-310	3.05 mm thick.		D 333-333	3.97 mm thick.	
DM 333-80a	2.02 mm thick.		D 333-311	3.09 mm thick.		D 333-334	4.01 mm thick.	
DM 333-80b	2.50 mm thick.		D 333-312	3.13 mm thick.		D 333-335	4.05 mm thick.	
DM 333-80c	2.98 mm thick.		D 333-313	3.17 mm thick.		D 333-336	4.09 mm thick.	
DM 333-80d	3.46 mm thick.							
DM 333-80e	3.94 mm thick.							
<u>DS 333-80</u>	Eared washer for stop on reverse speed pinion (R. VI). Since July 1964.	1						

GEARBOX-MECHANICAL CONTROL-PINIONS-SHAFTS-9I

NUMBER	DESCRIPTION	No. OFF	NUMBER	DESCRIPTION	No. OFF	NUMBER	DESCRIPTION	No. OFF
D 333-337	4. 13 mm thick.		D 335-82c	1. 2 mm thick.		620.047	Bearing, 20 x 62 x 17 on rear and mainshaft (R. VI).	1
D 333-338	4. 17 mm thick.		D 335-82d	1. 5 mm thick.		620.081	Cage, for needle bearings, 33 x 36 x 30 for 2nd speed mainshaft pinion (R. VI).	1
D 333-339	4. 21 mm thick.		D 335-82e	0. 2 mm thick.		620.083	Cage, for needle bearings, 33 x 36 x 36 for 4th speed mainshaft pinion (R. VI).	1
D 333-340	4. 25 mm thick.		D 335-82f	0. 35 mm thick.		620.088	Double bearing, shouldered, 25 x 62 x 67, 5 x 25, 4 (R. I): - front of mainshaft. - front of drive pinion shaft.	1 1
DM 335-05a	2nd speed synchromesh.	1	D 335-82g	0. 50 mm thick.		620.094	Cage, for needle bearings, 33 x 36 x 32, 2 for 3rd speed mainshaft pinion (R. VI).	1
DW 335-09	1st speed synchromesh.	1	D 335-82h	0. 60 mm thick.		620.125	Cage, for needle bearings for reverse speed sliding pinion (16 x 19 x 20) (R. VI).	2
DM 335-8	Sliding collar, operating meshing plungers, 10 mm wide.	1		Abatement ring, 1st speed synchromesh.	As nec.	620.126	Needle thrust bearing (16 x 32 x 2, 8) for intermediate reverse pinion (R. VI). Since July 1964.	1
DM 335-15b	Set of 12 meshing plungers. Notch for housing collar. 10. 1 mm wide.	1	DW 335-88	1. 3 mm thick. 1st possibility.		<u>620.262</u>	Needle bearing cage for reverse speed pinion (16 x 19 x 16). (R. VI). Since July 1964.	2
DM 335-16a	Synchromesh ring for 3rd and 4th speed pinions (straight tooth entry).	2	DW 335-88a	1. 4 mm thick. 2nd possibility.		620.503	Circlip for locking bearing (R. VI).	2
DW 335-18	Meshing plunger, for 1st speed synchromesh.	1	DW 344-01	Crown wheel and pinion, 8 x 31 (3rd and 4th speed gear train driven by splines).	1	620.523	Circlip for reverse speed sliding pinion (R. I). Until July 1964.	1
	Ball carrier, for synchromesh rings, length 23, 2 mm.	As nec.	DS 344-5	Nut, hex., 24 diameter x 150 pitch, with shoulder, 25 mm diameter, locking drive pinion.	1	620.524	Locking segment for needle bearing cage of reverse speed sliding pinions (17 x 20 x 1, 2) (R. VI). Until July 1964.	2
DM 335-70a	5. 2 mm thick.		D 344-90	Locking ring, for rear roller bearing on drive pinion (toothed side), internal chamfer on one face.	1			
DM 335-70b	5. 3 mm thick.		D 344-96	Locking ring for rear roller bearing on drive pinion (shaft side) without chamfer.	1			
DM 335-70c	5. 4 mm thick.		2.493-S	Nut, hex., 7 diameter x 100 pitch, locking grub screw on shaft (R. III).	1			
D 335-73	Compression spring, for balls of synchromesh, for 3rd and 4th speed pinions.	3	2.713-S	Ball, 6. 35 mm diameter for 3rd and 4th speed sliding pinion (R. VI).	3			
	Internally toothed ring, for adjusting 2nd speed synchromesh assembly:	As nec.	501.002	Plug, 20 mm diameter for shaft hole (R. I).	1			
D 335-82	0. 4 mm thick.							
D 335-82a	0. 7 mm thick.							
D 335-82b	1 mm thick.							

The numbers underlined indicate new parts which do not appear on the illustration.



D 343-97
 D 343-97φ
 D 343-98
 D 343-98φ

D 343-6
 DS 343-6

611008

D 343-3

508426

D 343-5
 DS 343-5

500367

D 343-9

D 343-2
 DS 343-2

D 343-2
 DS 343-2

DS 344-01
 DW 344-01
 DF 344-02

508425

508426

D 343-8
 D 343-8a
 D 343-8b
 DS 343-8c
 DS 343-8e
 DS 343-8g
 DS 343-8z

D 343-3

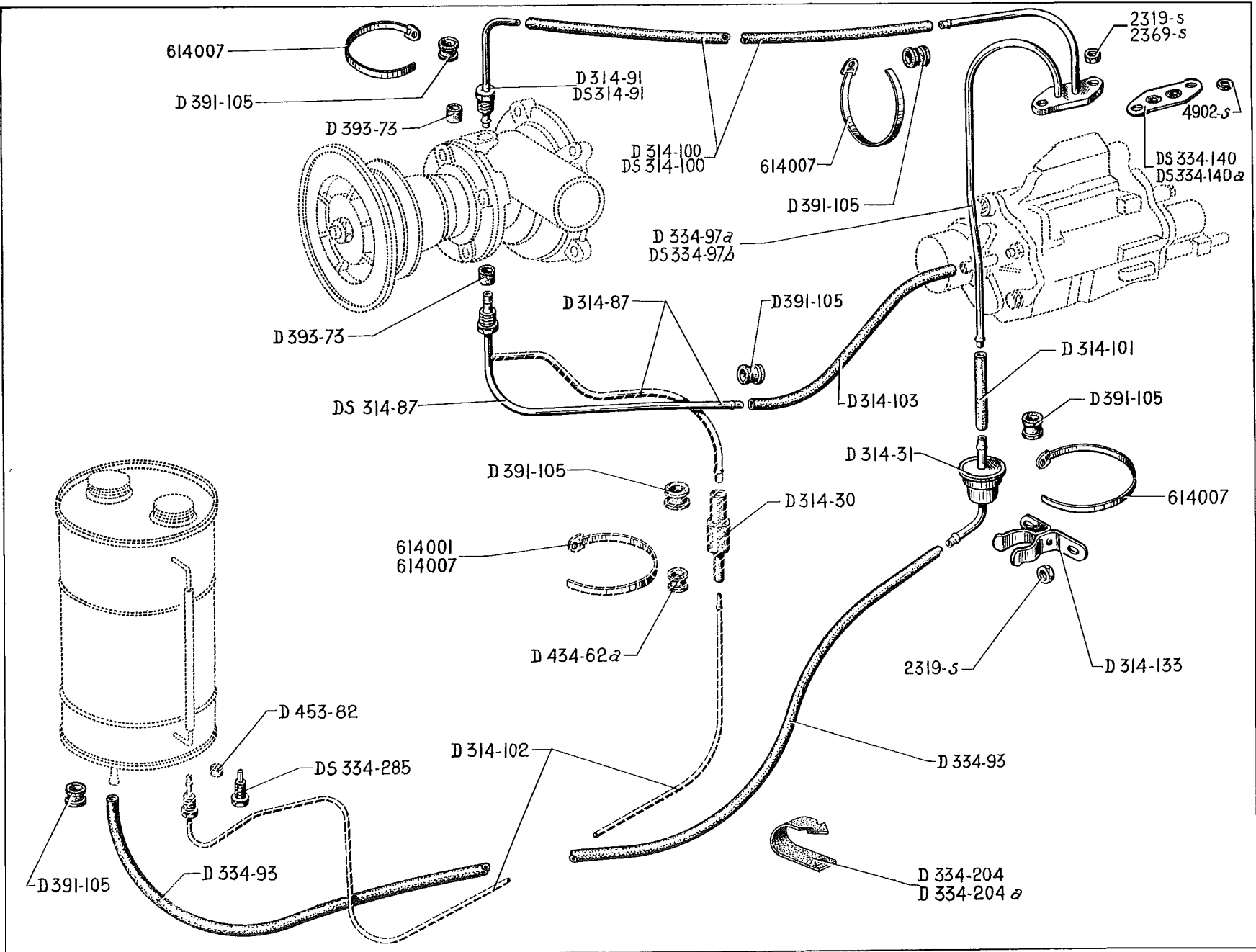
DS 343-7a
 DS 343-7c
 DS 343-7e
 DS 343-7g

D 343-1
 DS 343-1
 DS 343-1a
 DS 343-1b

92-GEARBOX-DIFFERENTIAL

NUMBER	DESCRIPTION	No. OFF	NUMBER	DESCRIPTION	No. OFF	NUMBER	DESCRIPTION	No. OFF
D 343-1	Differential housing (distance between planet wheel bearing face and crown wheel bearing face 52 mm.). Until March 1957. Replaced by DS 343-1b; order in addition: 3-DS 343-5, 5-DS 343-6, 1-DS 343-7a to DS 343-7g (R. VI), 2-DS 343-8c to DS 343-8i (R. VI), according to adjustment.	1	D 343-5	Screw, hex. head, with dowel for locking satellite pinion spindle (10 diameter x 150 pitch, 37.5 long). Until July 1959.	3		Distance washer for differential roller bearing, 74 x 82.8:	As nec.
			DS 343-5	Screw, hex. head, with dowel for locking satellite pinion spindle (10 diameter x 125 pitch, 37.5 long). Since July 1959.	3	D 343-97	Thickness 2.9	
						D 343-97a	" 3.3	
						D 343-97b	" 3.7	
						D 343-97c	" 4.1	
						D 343-97d	" 4.5	
						D 343-97e	" 4.9	
						D 343-97f	" 5.3	
						D 343-97g	" 5.7	
DS 343-1	Differential housing (distance between planet wheel bearing face and crown wheel bearing face 54 mm. threaded 10 diameter x 150 pitch for crown wheel fixing). March 1957 - July 1959. Replaced by DS 343-1b; order in addition: 3-DS 343-5, 5-DS 343-6, 1-DS 343-7a to DS 343-7g (R. VI), 2-DS 343-8c to DS 343-8i (R. VI), according to adjustment.	1	D 343-6	Screw, hex. head, (10 diameter x 150 pitch, 26 long), securing crown wheel on differential housing. Until July 1959.	5		Washer for adjustment of differential roller bearing 72 x 82.8.	As nec.
			DS 343-6	Screw, hex. head, (10 diameter x 125 pitch, 26 long), securing crown wheel on differential housing. Since July 1959.	5	D 343-98	Thickness 3	
						D 343-98a	" 3.05	
						D 343-98b	" 3.10	
						D 343-98c	" 3.15	
						D 343-98d	" 3.20	
						D 343-98e	" 3.25	
						D 343-98f	" 3.30	
						D 343-98g	" 3.35	
				Thrust washer for planet wheel 38.25 x 56 (R. VI).	As nec.	DS 344-01	Crown wheel and bevel pinion, 8x31 with rear bearing fitted. Hydraulic drive. Replaces type 9 x 35.	1
DS 343-1a	Differential housing (distance between planet wheel bearing face and crown wheel bearing face 54 mm., between bearing faces of satellites 74.4 mm. threaded 10 diameter x 125 pitch for crown wheel fixing). July 1959-June 1960. Replaced by DS 343-1b; order in addition: 1-DS 343-7a to DS 343-7g (R. VI), 2-DS 343-8c to DS 343-8i (R. VI) according to adjustment.	1	DS 343-7a	Thickness 1.91		DW 344-01	Crown wheel and bevel pinion, 8x31 with rear bearing fitted. Mechanical drive.	1
			DS 343-7c	" 2.03		DF 344-02	Crown wheel and bevel pinion 7 x 31 (mountain use).	1
			DS 343-7e	" 2.15	As nec.	408.451	Taper roller bearing (40 x 80 x 19.5) for differential housing (R. VI).	2
			DS 343-7g	" 2.27		500.367	Rear bearing for drive pinion (30 x 72 x 19) (R. VI), (mountain use).	1
				Fixed thrust washer for satellite pinions, 14 x 27.7. Until June 1960.	As nec.	508.425	Satellite spindle (14 x 109) (R. I).	1
			D 343-8	Thickness 1.4		508.426	Satellite spindle (14 x 47.5) (R. I).	2
			D 343-8a	" 1.2.		611.008	Lockplate, double for screw securing crown wheel to differential housing (R. I). Until July 1959.	4
			D 343-8b	" 1				
DS 343-1b	Differential housing (distance between planet wheel bearing face and crown wheel bearing face 54 mm. between bearing faces of satellites 75.6 mm. threaded 10 diameter 125 pitch for crown wheel fixing) Since June 1960.	1		Fixed thrust washer for satellite pinions, 14x27.7. Since June 1960	As nec.			
			DS 343-8c	Thickness 1.71				
			DS 343-8e	" 1.85				
			DS 343-8g	" 1.99				
			DS 343-8i	" 2.13				
D 343-2	Planet wheel (16 teeth, distance between bearing face and end of shank 14 mm). Until March 1957.	2	D 343-9	Crosshead for satellite spindles 25 x 40.5 x 20.	1			
DS 343-2	Planet wheel (16 teeth, distance between bearing face and end of shank 15 mm.) Since March 1957.	2						
D 343-3	Satellite pinion 10 teeth, total height 10.6 mm.	4						

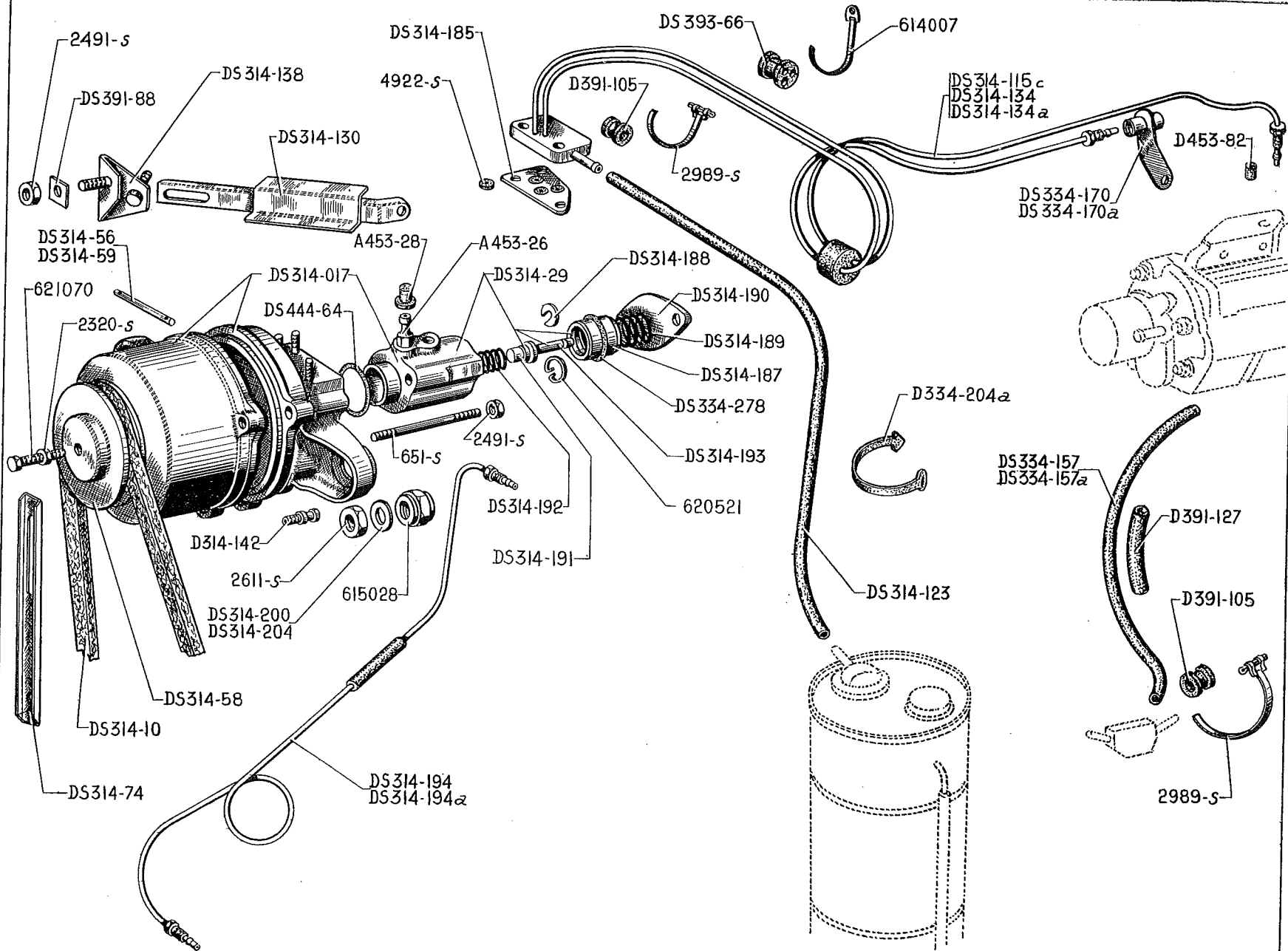
94-LOW PRESSURE PIPE SYSTEM-NON-RETURN VALVE



LOW PRESSURE PIPE SYSTEM-NON-RETURN VALVE-95

NUMBER	DESCRIPTION	No. OFF	NUMBER	DESCRIPTION	No. OFF	NUMBER	DESCRIPTION	No. OFF
	Until September 1960							
D 314-30	<i>Non-return valve between reservoir and low pressure pump (R. VI). Until September 1956. Replaced by DS 314-87; order in addition: 1-DS 334-285 (R. VI). See Technical Note No. 645.</i>	1	D 314-103	Flexible feed pipe between pipe assembly of low pressure pump and hydraulic gear selector, 7 mm diameter, 360 mm long.	1	D 391-105	Protective sleeve (internal diameter 15 mm) under tightening clip: - for flexible pipes, 9 - for non-return valves (pump side), 1 Until September 1956.	
D 314-31	Non-return valve between hydraulic gear selector and reservoir (R. VI).	1	D 314-133	Bracket for non-return valve.	1	D 393-73	Rubber sleeve for union on pipe, on low pressure pump, internal diameter 8.5 mm, length 12.5 mm.	2
D 314-87	<i>Feed pipe assembly for low pressure pump (2 pipes). Until September 1956. Replaced by DS 314-87; order in addition: 1-DS 334-285 (R. VI). See Technical Note No. 645</i>	1	D 334-93	Flexible return pipe between non-return valve and reservoir, internal diameter 7 mm, length 1,100 mm.	1	D 434-62a	Protective sleeve under tightening clip of non-return valve (reservoir side), internal diameter 11.5 mm. Until September 1956.	1
DS 314-87	Feed pipe for low pressure pump. Since September 1956.	1	D 334-97a	Pipe assembly on hydraulic gear selector to non-return valve and low pressure pump (flange with 2 hole fixing 5.5 mm diameter). Until March 1957.	1	D 453-82	Rubber sleeve, 4.5 x 6.5 x 11: - for pipe union on reservoir. 1 Until September 1956. - for plug DS 334-285 (used when non-return valve is omitted). 1	
D 314-91	<i>Metal return pipe on low pressure pump, external diameter 8 mm., length 65 mm. Until March 1960. Replaced by DS 314-91.</i>	1	DS 334-97b	Pipe assembly on hydraulic gear selector (flange with 2 hole fixing 6.5 mm diameter). Since March 1957.	1	2.319-S	Nut, hex., 5 diameter 75 pitch (R. III) securing: - bracket for non-return valve. 2 - pipe assembly on hydraulic gear selector. 2 Until March 1957.	
DS 314-91	Metal elbowed return pipe on low pressure pump 8 mm. diameter Since March 1960.	1	DS 334-140	Seal plate between pipe assembly D 334-97a and hydraulic gear selector (2 holes 10.6 mm; 2 fixing holes 5.5 mm, 46 mm between centres (R. VI). October 1956 - March 1957. Replaces preceding type by ordering in addition: 2-4.902-S.	1	2.369-S	Nut, hex., 6 diameter 100 pitch securing pipe assembly on hydraulic gear selector (R. III). Since March 1957.	2
D 314-100	<i>Flexible return pipe between hydraulic gear selector and low pressure pump, internal diameter 7 mm., length 500 mm. Until March 1960. Replaced by DS 314-100; order in addition: 1-DS 314-91.</i>	1	DS 334-140a	Seal plate between pipe assembly DS 334-97b and hydraulic gear selector (2 holes 10.6 mm; 2 fixing holes 6.5 mm, 46 mm between centres) (R. VI). Since March 1957.	1	4.902-S	<i>Ring seal 7.2 x 11 x 1.9, for seal plate DS 334-140 (R. VI). Since October 1956. Replaced by 4990-S</i>	2
DS 314-100	Flexible return pipe between hydraulic gear selector and low pressure pump, internal diameter 8 mm. length 430 mm. Since March 1960.	1		Clip retaining flexible return pipe between non-return valve and reservoir.		614.001	Tightening clip for non-return valve (reservoir side), 132 mm long (R. VI). Until September 1956.	1
D 314-101	Flexible connecting pipe between pipe assembly on hydraulic gear selector and non-return valve, internal diameter 7 mm, length 110 mm.	1	D 334-204	Length 162 mm.	1	614.007	Tightening clip 190 mm long (R. VI) - for flexible pipes. 9 - non-return valve (pump side). 1 Until September 1956.	
D 314-102	<i>Metal pipe for supplementary to low pressure pump (between reservoir and non-return valve). Until September 1956. Replaced by DS 314-87; order in addition: 1-DS 334-285 (R. VI). See Technical Note No. 645.</i>	1	D 334-204a	Length 122 mm.	1			
			DS 334-285	Plug, hex. head, with dowel (threaded 9 diameter x 125 pitch) closing reservoir feed (used when non-return valve is omitted) (R. VI).	1			

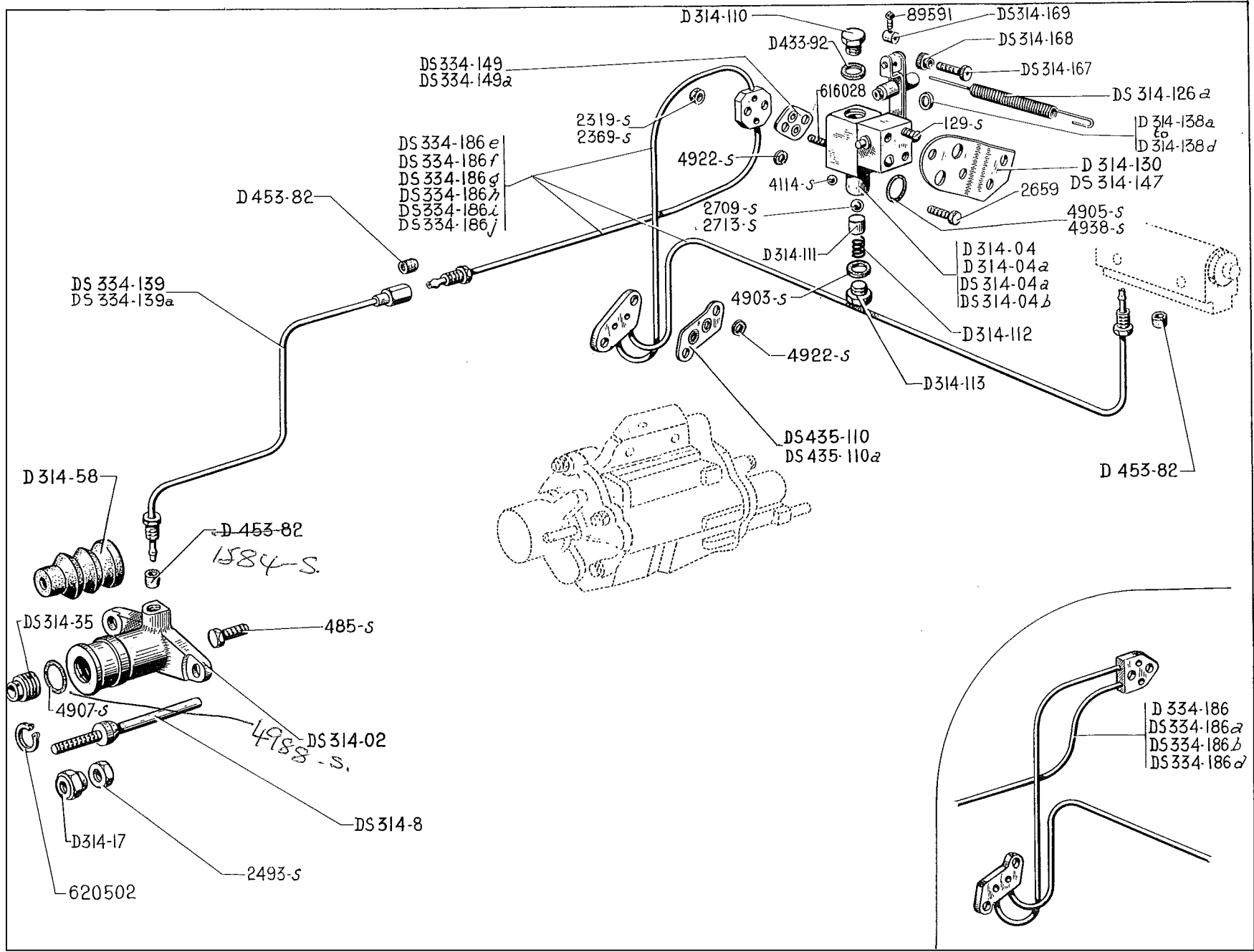
CENTRIFUGAL REGULATOR-97



96-CENTRIFUGAL REGULATOR

NUMBER	DESCRIPTION	No. OFF	NUMBER	DESCRIPTION	No. OFF	NUMBER	DESCRIPTION	No. OFF
	Since September 1960							
A 453-26	Bleed screw on centrifugal regulator.	2	DS 314-194	Connecting pipe between front brake, right-hand and centrifugal regulator. Until September 1962.	1	D 391-127	Sheath protecting pipe between hydraulic gear selector and 4-way union.	1
A 453-28	Cap for bleed screw (R. VI).	2	DS 314-194a	<i>Connecting pipe between front brake, right-hand and centrifugal regulator September 1962 - September 1964 Replaced by DS 314-194b; order in addition: 1-DS 314-138a, 1-DS 391-86a.</i>	1	DS 393-66	Distance piece protecting pipe assembly.	2
DS 314-017	Centrifugal regulator complete with pulley.	1				DS 444-64	Ring seal, 21.15 x 26 x 2.45, between centrifugal regulator and clutch re-engagement control.	1
DS 314-10	Belt driving centrifugal regulator (R. VI).	1	<u>DS 314-194b</u>	Pipe between front brake, right-hand, and regulator. Since September '64.	1	D 452-82	Sleeve for pipe assembly union and pipe between regulator and front brake.	4
DS 314-29	Body for clutch engagement control with cup, piston and plunger.	1		Washer, 10.5 x 30, for adjustment of centrifugal regulator pulley.	As nec.	651-S	Stud, 7 diameter x 80 long (threaded 17 and 10.5) assembling regulator and clutch re-engagement control (R. III).	2
DS 314-56	Pin swivel 4 x 45, for primary lever.	2	DS 314-200	2 mm thick.		2.320-S	Nut, hex., 5 diameter x 75 pitch, locking adjustment screw of centrifugal regulator (R. III).	1
DS 314-58	Driving pulley for centrifugal regulator	1	DS 314-201	2.4 mm thick.		2.491-S	Nut, hex., 7 diameter x 100 pitch (R. III):	
DS 314-59	Pin swivel 4 x 55, for secondary lever.	4	DS 314-202	2.8 mm thick.			- securing tie-rod.	1
DS 314-74	Tie-rod for centrifugal regulator.	1	DS 314-203	3.2 mm thick.			- securing reinforcement.	1
DS 314-115c	Pipe assembly between centrifugal regulator and hydraulic gear selector. R.H. steering.	1	DS 314-204	3.6 mm thick.			- assembling regulator and re-engagement control.	1
DS 314-123	Flexible pipe, 7 x 14 x 785 mm long, for return from centrifugal regulator.	1	DS 334-157	Flexible elbowed pipe, 7 x 14, between hydraulic gear selector and 4-way union. L.H. steering. Until March 1964.	1	2.611-S	Nut, hex., 10 diameter x 150 pitch, securing centrifugal regulator on water pump body (R. III).	1
DS 314-130	Reinforcement for stay securing centrifugal regulator.	1	DS 334-157a	Flexible elbowed pipe, 7 x 14 between hydraulic gear selector and 4-way union. R.H. steering.	1	2.989-S	Clip, 245 mm long (R. VI) tightening:	
DS 314-134	Pipe assembly between centrifugal regulator and hydraulic gear selector. Until January 1961.	1	DS 334-157c	Tube, rubber 7 mm and 10 mm internal diameter x 1510 m between hydraulic gear selector and 3-way union. L.H. steering. Since March 1964.	1		- return pipe on centrifugal regulator.	1
DS 314-134a	Pipe assembly between centrifugal regulator and hydraulic gear selector. Since January 1961, L.H. steering.	1	DS 334-170	Union with plate fixing connection of pipe assembly DS 314-134 and DS 334-186g. 35 mm between centres. Until January 1961.	1	4.992-S	- pipe between hydraulic gear selector and 4-way union.	4
DS 314-138	Swivel plate for reinforcement stay for centrifugal regulator. Until September 1964.	1	DS 334-170a	Union with plate fixing connection of pipe assembly DS 314-134a and DS 334-186h, 70 mm between centres. Since January 1961.	1	614.007	Ring seal, between pipe assembly and centrifugal regulator (R. VI).	3
<u>DS 314-138a</u>	Swivel plate for reinforcement stay on regulator. Since September 1964.	1	D 334-204a	Flexible clip securing return pipe from centrifugal regulator on return pipe of high pressure pump.	1	615.028	Tightening clip, 190 mm long (R. VI):	
D 314-142	Overflow pipe on centrifugal regulator	1	DS 334-278	Ring seal, 19.4 x 24.8 x 2.7, for piston of clutch re-engagement control (R. VI).	1		- for return pipe on reservoir.	1
DS 314-185	Seal plate between pipe assembly and centrifugal regulator (R. VI).	1	DS 391-88	Plate under nut securing:		620.521	- for distance pieces protecting pipe assembly.	2
DS 314-187	Control piston for plunger on clutch re-engagement control (20 x 24).	1		- tie-rod on regulator.	1	621.070	Nut, 10 diameter x 150 pitch, (32 across flats) securing pump cover and thrust of centrifugal regulator (R. VI).	1
DS 314-188	Washer, anchoring plunger on clutch re-engagement control piston.	1		- reinforcement on centrifugal regulator.	1		Circlip for plunger anchorage washer of clutch engagement control (R. VI).	1
DS 314-189	Return spring for piston of clutch re-engagement control plunger (16 x 30).	1	D 391-105	Flexible sleeve under tightening clip.	3		Screw, hex. head, 5 diameter x 26.5 long, for adjustment of centrifugal regulator (R. I).	1
DS 314-190	Closing flange for clutch re-engagement control.	1						
DS 314-191	Thrust cup for slide valve return spring.	1						
DS 314-192	Return spring for clutch re-engagement control slide valve (11.5 x 26).	1						
DS 314-193	Plunger for clutch re-engagement control (4 x 37.5).	1						

98-CLUTCH CONTROL AND PIPING



CLUTCH CONTROL AND PIPING-99

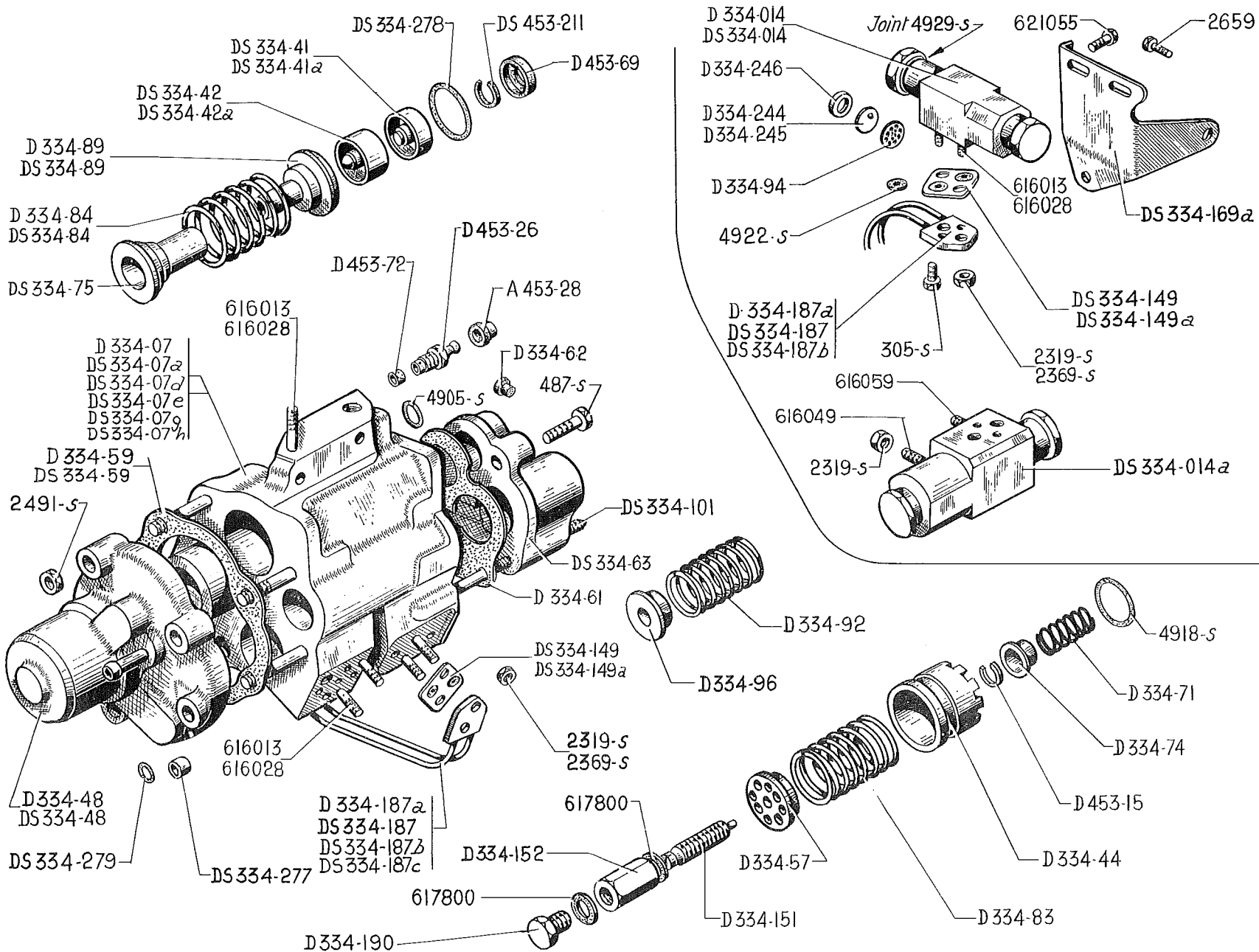
NUMBER	DESCRIPTION	No. OFF	NUMBER	DESCRIPTION	No. OFF	NUMBER	DESCRIPTION	No. OFF
DS 314-02	<i>Cylinder with piston for clutch control (piston locked by nut). Replaces type with piston locked by circlip. Until August 1964. Replaced by DS 314-02b.</i>	1	DS 314-126a	Spring between accelerator control and clutch re-engagement control 15.8 mm diameter, 110 mm long. Until January 1965.	1		Pipe assembly between pressure distribution block, hydraulic gear selector clutch re-engagement control and clutch cylinder (and centrifugal regulator. Since September 1960), L. H. steering. (Assembly in one part).	
<u>DS 314-02b</u>	Cylinder with piston for clutch control. Since August 1964.	1	<u>DS 314-126b</u>	Spring between accelerator control and clutch re-engagement control 15.8 mm diameter x 110 mm. Since January 1965.	1	D 334-186	- flange fixing holes 5,5 mm diameter. Until March 1957.	1
D 314-04	<i>Clutch re-engagement control (5 mm diameter stud securing pipe assembly). Until March 1957. Replaced by D 314-04a; order in addition: 1-DS 314-126a, 1-DS 314-169 (R. VI), 1-89.591 (R. III).</i>	1	D 314-130	Bracket for clutch re-engagement control. L.H. steering.	1	DS 334-186a	- flange fixing holes 6.5 mm diameter. March 1957 - January 1959. Replaced by DS 334-186d; order in addition: 1-DS 334-139, 1-D 453-82.	1
D 314-04a	Clutch re-engagement control (5 mm diameter stud securing pipe assembly) with knurled adjusting device. For replacement of D 314-04.	1	D 314-138a	4 x 10 x 1.	As nec.	DS 334-186b	- flange fixing holes 6.5 mm. diameter on hydraulic gear selector, 5.5 mm. diameter on clutch re-engagement control. For replacement of hydraulic gear selector D 334-07 by DS 334-07a.	1
DS 314-04a	<i>Clutch re-engagement control (6 mm diameter stud securing pipe assembly). March 1957 - July 1959. Replaced by DS 314-04b; order in addition: 1-DS 314-126a, 1-DS 314-169 (R. VI), 1-89.591 (R. III).</i>	1	D 314-138b	4 x 10 x 0.15.			(Assembly in two parts).	
DS 314-04b	Clutch re-engagement control (6 mm diameter stud securing pipe assembly) with knurled adjusting device. Since July 1959.	1	D 314-138c	4 x 10 x 0.2.		DS 334-186d	- flange fixing holes 6.5 mm. diameter inlet and outlet on engagement control flange, parallel. January 1959 - July 1959.	1
DS 314-8	Push rod for operating clutch fork.	1	D 314-138d	4 x 10 x 0.1.		DS 334-186e	- flange fixing holes 6.5 mm. diameter, inlet and outlet on engagement control flange, opposite (pressure distribution block 5 way). July 1959 - July 1960.	1
D 314-17	Nut, hex. 7 diameter 100 pitch for clutch fork adjustment. Until September 1960.	1	DS 314-147	Support for clutch re-engagement control. R.H. steering.	1	DS 334-186f	- pressure distribution block 3 way. July 1960 - September 1960.	1
DS 314-35	Stop nut for clutch control piston. Since March 1960.	1	DS 314-167	Screw, round head, 5 diameter x 22 long, for adjustment of clutch re-engagement control spring. Since July 1959.	1	DS 334-186g	- pressure distribution block 3 way and centrifugal regulator. September 1960 - January 1961.	1
D 314-58	Dust cover on clutch control cylinder (concertina rubber).	1	DS 314-168	Locknut, round, knurled, 5 diameter x 75 pitch, for spring adjustment. Since July 1959.	1	DS 334-186h	- gear change speed control fixed by studs (1 male union, clutch cylinder side). January 1961 - April 1962.	1
D 314-110	Plug, hex. head, 7 diameter x 21 long (upper).	1	DS 314-169	Trunnion securing clutch re-engagement control spring (threaded 4 diameter x 75 pitch) (R. VI).	1	DS 334-186i	- (1 female union, clutch cylinder side). Since April 1962.	1
D 314-111	Piston for clutch re-engagement control (7.5 x 9).	1	DS 334-139	Pipe between pipe assembly and clutch cylinder (1 male union, 1 female union) (arrangement in 2 parts). January 1959 - April 1962.	1	DS 334-186j	Piping assembly connecting hydraulic gear selector to clutch, R.H. steering.	1
D 314-112	Spring for piston, 5 mm diameter (R. VI).	1	DS 334-139a	Pipe between pipe assembly and clutch cylinder (2 male unions). Since April 1962.	1			
D 314-113	Plug, hex. head, 9 diameter x 7 long (lower).	1	DS 334-149	Seal plate between pipe assembly D 334-186 and clutch re-engagement control (2 holes 7.6 mm diameter, 2 fixing holes 5.5 mm diameter, 14 mm between centres) (R. VI). October 1956 - March 1957. Replaces earlier type by ordering in addition: 2-4.922-S.	1			
			DS 334-149a	Seal plate between pipe assembly D 334-186a and clutch re-engagement control, (2 holes 7.6 mm diameter, 2 fixing holes 6.5 mm diameter, 14 mm between centres) (R. VI). Since March 1957.	1			

The numbers underlined indicate new parts which do not appear on the illustration.

100-CLUTCH CONTROL AND PIPING

NUMBER	DESCRIPTION	No. OFF	NUMBER	DESCRIPTION	No. OFF	NUMBER	DESCRIPTION	No. OFF
D 433-92	Ring seal, 6.9 x 9.5 x 2.4 under upper screw of clutch re-engagement control.	1	2.319-S	Nut, hex., 4 diameter 75 pitch (R. III) securing seal plate on: - clutch re-engagement control. - hydraulic gear selector. Until March 1957.	2 2	4.905-S	Ring seal 12.1 x 17.5 x 2.7 between body and bracket (R. VI). Until November 1960. Replaced by 4.983-S.	1
DS 435-110	Seal plate between pipe assembly D 334-186 and hydraulic gear selector (2 holes 7.6 mm. diameter 2 fixing holes 5.5 mm. diameter 30 mm. between centres) (R.VI). October 1956 - March 1957. Replaces earlier type by ordering in addition 2 - 4.922-S.	1	2.369-S	Nut, hex. 6 diameter 100 pitch (R.III). securing seal plate on: - clutch re-engagement control - hydraulic gear selector Since March 1957.	2 2	4.907-S	Ring seal 18.1 x 23.8 x 2.7 for cylinder controlling clutch (R. VI). Replaced by 4.988-S.	1
DS 435-110a	Seal plate between pipe assembly DS 334-186a and hydraulic gear selector (2 holes 7.6 mm. diameter 2 fixing holes 6.5 mm.) (R.VI). Since March 1957.	1	2.493-S	Nut, hex. 7 diameter 100 pitch for clutch fork adjustment (R.III). Until September 1960.	2	4.922-S	Ring seal 4.2 x 8 x 1.9 for seal plates (R. VI). DS 334-149 DS 435-110 Since October 1956.	2 2
D 453-82	Rubber sleeve for pipe union (4.5 x 5.5 x 11).	3	2.659	Screw, hex. head, 5 diameter 13 long (R.III). securing: - control on bracket - control bracket on body	2 2	4.938-S	Ring seal, 12.1 x 15.9 x 1.9 between body and bearing for clutch re-engagement control (R. VI). Since November 1960.	1
129-S	Screw, round head 5 diameter 25 long connecting body to bearing (R.III).	2	2.709-S	Ball 7 mm diameter (R. VI). Until May 1957.	1	89.591	Screw, square head 4 diameter 8 long securing spring on clutch re-engagement control (R. III).	1
485-S	Screw, hex. head 7 diameter 20 long, securing clutch cylinder (R.III).	1	2.713-S	Ball 6 mm. diameter (R.VI). Since May 1957.	1	616.028	Stud 6 diameter, 25.5 long threaded 7 and 9.5 securing flange on clutch re-engagement control (R. I). Since March 1957.	2
			4.114-S	Ball 4.5 mm. (R.VI).	1	620.502	Circlip retaining clutch cylinder piston (R. VI).	1
			4.903-S	Ring seal 8.9 x 12.7 x 1.9 under lower plug of clutch re-engagement control (R.VI).	1			

102-HYDRAULIC GEAR SELECTOR



HYDRAULIC GEAR SELECTOR-103

NUMBER	DESCRIPTION	No. OFF	NUMBER	DESCRIPTION	No. OFF	NUMBER	DESCRIPTION	No. OFF
A 453-28	Cap for bleed screw on hydraulic gear selector (R. VI). Until July 1957.	1		Synchronising piston for 2nd and 4th speeds.		<u>DS 334-61</u>	Joint for rear cover. Since June 1964.	1
	Hydraulic gear selector and clutch control, with gear change speed control.	1	DS 334-41	- 20 mm diameter, height 14 mm (1st possibility).	2	D 334-62	Rubber plug for setting hole in hydraulic gear selector.	1
D 334-07	- <i>pipe assembly fixing by 5 mm studs. Until March 1957. Replaced by DS 334-07a; order in addition: 1-DS 334-97b, 1-DS 334-121a, 1-DS 334-186b, 1-DS 334-140a, 1-DS 334-281, 1-DS 435-110a.</i>		DS 334-41a	- 20.2 mm diameter, height 14 mm (2nd possibility).	2	DS 334-63	Rear cover. Until June 1964.	1
DS 334-07a	- <i>pipe assembly fixing by 6 mm studs. March 1957 - September 1960. Replaced by DS 334-07i.</i>			Synchronising piston for 3rd speed.		<u>DS 334-63a</u>	Rear cover. Since June 1964.	1
DS 334-07d	- <i>centrifugal regulator assembly, gear change speed control perpendicular to hydraulic gear selector. September 1960 - January 1961. Replaced by DS 334-07g; order in addition: 1-DS 314-134a, 1-DS 334-186h, 1-DS 334-170a.</i>		DS 334-42	- 20 mm diameter, height 19 mm (1st possibility).	1	D 334-71	Spring for automatic clutch control valve (8.2 x 9.8 x 6 coils). Until September 1960.	1
DS 334-07e	- <i>centrifugal regulator assembly, gear change speed control parallel to hydraulic gear selector. January 1961 - September 1962. Replaced by DS 334-07g.</i>		DS 334-42a	- 20.2 mm diameter, height 19 mm (2nd possibility).	1	D 334-74	Thrust collar for valve spring (13 mm diameter, 6 mm long). Until September 1960.	1
DS 334-07g	- L.H. steering. Since September 1962		D 334-44	Piston for automatic clutch control 38 mm diameter, height 39.5 mm.	1	DS 334-75	Thrust washer for synchronising piston return spring (total length 31.8 mm). Since February 1957.	1
DS 334-07h	- R.H. steering.		D 334-48	Front cover. Until September 1960.	1	D 334-83	Return spring for automatic clutch control piston (23 x 28.5 x 9 coils). Until September 1960.	1
<u>DS 334-07i</u>	Hydraulic gear selector with cover DS 334-48b, for the replacement of DS 334-07a.	1	DS 334-48	Front cover, (arrangement with centrifugal regulator). September 1960 - June 1964.	1	D 334-84	Return spring for synchronising pistons (22.2 x 31.8 x wire diameter 4.8 mm). Until February 1957.	1
D 334-014	Gear change speed control (pipe assembly fixing by 5 mm studs). Until March 1957.	1	<u>DS 334-48a</u>	Front cover, (4 holes 8 mm and 2 holes 6 mm). Since June 1964.	1	DS 334-84	Return spring for synchronising pistons (22.3 x 31.7 x wire diameter 4.7). Since February 1957.	1
DS 334-014	Gear change speed control (pipe assembly fixing by 6 mm studs, perpendicular to hydraulic gear selector). March 1957 - January 1961.	1	<u>DS 334-48b</u>	Cover, front, for hydraulic gear selector DS 334-07i, 4 holes 8 mm, 2 holes 6 mm, 1 hole threaded 9 x 125. For fitting until September 1960.	1	D 334-89	Thrust washer for synchronising piston return spring (40 mm diameter, 4 mm thick). Until February 1957.	1
DS 334-014a	Gear change speed control (parallel to hydraulic gear selector). Since January 1961.	1	D 334-57	Shouldered thrust washer for automatic clutch control piston (28 mm diameter, 3.5 mm thick). Until September 1960.	1	DS 334-89	Thrust washer for synchronising piston return spring (total length 41 mm). Since February 1957.	1
			D 334-59	<i>Joint for front cover of hydraulic gear selector (R. VI). Until June 1956. No longer supplied.</i>	1	D 334-92	Spring for automatic gear control valve (13.5 x 18 x 8 coils).	1
			DS 334-59	Joint for front cover of hydraulic gear selector (R. VI). June 1956 - June 1964.	1			
			<u>DS 334-59a</u>	Joint for front cover (4 holes 8 mm and 2 holes 6 mm). Since June 1964.	1			
			D 334-61	Joint for rear cover of hydraulic gear selector (R. VI). Until June 1964.	1			

The numbers underlined indicate new parts which do not appear on the illustration.

Catalogue No. 466 - June 1965.

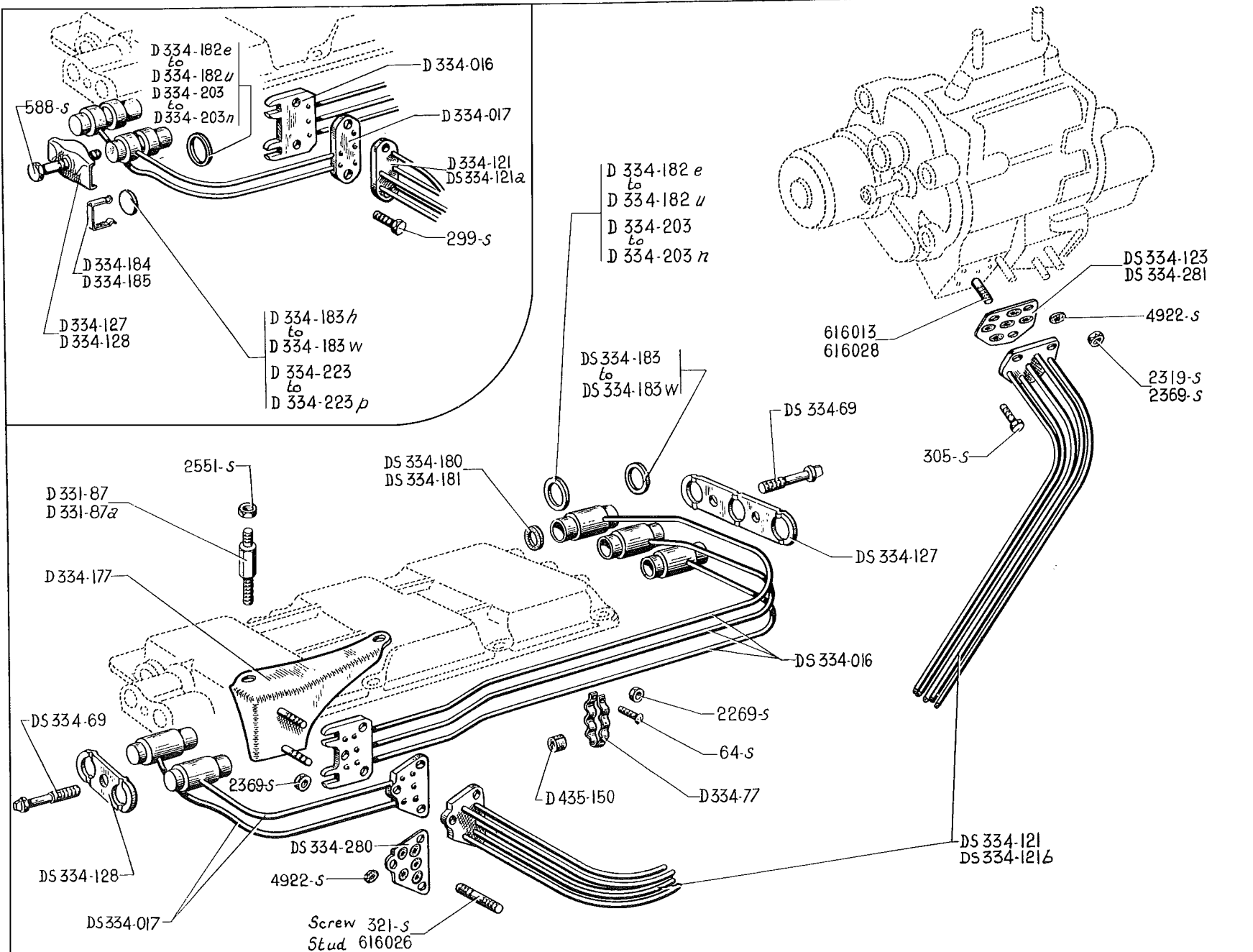
104-HYDRAULIC GEAR SELECTOR

NUMBER	DESCRIPTION	No. OFF	NUMBER	DESCRIPTION	No. OFF	NUMBER	DESCRIPTION	No. OFF
D 334-94	Filter, 10.5 mm diameter, 1 mm thick (R. VI).	1	DS 334-169a	Bracket for gear change speed control (without reinforcement). Replaces type with reinforcement.	1	D 453-72	Joint for bleed screw of hydraulic gear selector 4.5 mm diameter (R. VI). Until July 1957.	1
D 334-96	Thrust washer for automatic gear control spring (24 mm diameter, 5.5 mm thick). Until June 1964.	1	D 334-187a	Feed pipe assembly for gear change speed control (2 pipes, fixing flange 2 holes 5.5 mm diameter). Until March 1957.	1	DS 453-211	Split rubber ring between auxiliary clutch control cylinder and rear cover of hydraulic gear selector. (6.9 x 9.5 x 2.4). Until June 1964.	1
<u>DS 334-96</u>	Thrust washer for automatic gear control spring (25 mm diameter x 5.5 mm thick). Since June 1964.	1	DS 334-187	Feed pipe assembly for gear change speed control DS 334-014 (2 pipes, fixing flange 2 holes 6.5 mm diameter). March 1957 - January 1961.	1	<u>297-S</u>	Screw, hex. head, 5 x 35, for securing front cover. (R. III). Since June 1964.	2
<u>DS 334-100</u>	Tube, nylon, 5 x 7, for draining pre-selector 600 mm long (R. VI). L.H. steering. Since June 1964.	1	DS 334-187b	Feed pipe assembly for gear change speed control DS 334-014a. L.H. steering. Since January 1961.	1	305-S	Screw, hex. head, 6 diameter 18 long, securing feed pipe assembly on gear change speed control (R. III). January 1961 - June 1964.	2
<u>DS 334-100a</u>	Tube, nylon, 5 x 7, for draining pre-selector 1060 mm long (R. VI). R.H. steering. Since June 1964.	1	DS 334-187c	Feed pipe assembly for gear change speed control. R.H. steering.	1	<u>306-S</u>	Screw, hex. head, 6 x 20, (R. III), for securing pipe assembly. - on hydraulic gear selector. - gear change speed control.	2 2
DS 334-101	Stud, shouldered, pointed, 7 diameter x 75 pitch (threaded 15 and 15), securing gear lever on hydraulic gear selector. Since September 1957.	2	D 334-190	Plug, 9 diameter x 125 pitch, for locknut of hydraulic gear selector adjusting screw. Until September 1960.	1	487-S	Screw, hex. head, 7 diameter x 25 long, securing rear cover (R. III).	2
<u>DS 334-143</u>	Drain tube for pre-selector, 20 mm long, (R. VI). Since June 1964.	1	D 334-244	Disc jet, central hole, 10 mm diameter (R. VI).	8	2.319-S	Nut, hex., 5 diameter x 75 pitch, (R. III) securing: - pipe assembly of gear change speed control. Until March 1957. - gear change speed control on hydraulic gear selector. Since January 1961.	4 2
DS 334-149	Seal plate between pipe assembly D 334-187d, gear change speed control and hydraulic gear selector (2 holes 7.6; 2 fixing holes 5.5 mm diameter, 14 mm between centres) (R. VI). October 1956 - March 1957. Replaces earlier type by ordering in addition: 2-4.922-S.	2	D 334-245	Disc jet, eccentric hole, 10 mm diameter (R. VI).	7	2.369-S	Nut, hex., 6 diameter x 100 pitch (R. III) securing: - pipe assembly on gear change speed control and hydraulic gear selector. March 1957 - January 1961. - pipe assembly of gear change speed control on hydraulic gear selector. January 1961 - June 1964.	4 2
DS 334-149a	Seal plate between pipe assembly DS 334-187, gear change speed control and hydraulic gear selector (2 holes 7.6; 2 fixing holes 6.5 mm diameter, 14 mm between centres) (R. VI). Since March 1957.	2	D 334-246	Distance piece between disc, 6.5 x 10 x 1.5.	14	2.491-S	Nut, hex., 7 diameter x 100 pitch securing front cover (R. III).	4
D 334-151	Adjusting grub screw for automatic clutch control (9 diameter x 125 pitch, total length 53.5 mm). Until September 1960.	1	DS 334-277	Steel stop for hydraulic gear selector pistons.	1	2.659	Screw, hex. head, 5 diameter x 75 pitch, 13 long, securing bracket for gear change speed control (R. III). Until January 1961. Replaced by 283-S.	2
D 334-152	Nut, hex., 9 diameter x 125 pitch, height 33 mm, for locking adjusting screw of hydraulic gear selector. Until September 1960.	1	DS 334-278	Ring seal, 19.4 x 24.8 x 2.7, for synchronising pistons of hydraulic gear selector (R. VI). - between sleeve for manual control and rear cover. Since June 1964.	4 1			
			DS 334-279	Ring seal, 6.7 x 10.5 x 1.9, for hydraulic gear selector (R. VI). Until June 1956.	1			
			D 453-15	Circlip locking automatic clutch control valve. Until September 1960.	1			
			D 453-26	Bleed screw for hydraulic gear selector. Until July 1957.	1			
			D 453-69	Rubber joint between auxiliary clutch control cylinder and rear cover of hydraulic gear selector (6 x 17.5 x 3.5) (R. VI). Until June 1964.	1			

HYDRAULIC GEAR SELECTOR—104a

NUMBER	DESCRIPTION	No. OFF	NUMBER	DESCRIPTION	No. OFF	NUMBER	DESCRIPTION	No. OFF
4.905-S	<i>Ring seal, 12.1 x 17.5 x 2.7, for selector slide valve (R. VI). Replaced by 4983-S (R. III).</i>	1	4.929-S	<i>Ring seal, 18.7 x 23.5 x 1.9, for plug in gear change speed control (R. VI). Replaced by 4986-S (R. III).</i>	2	616.049	Stud, 5 diameter 26 long, (threaded 7 and 10) securing gear change speed control (R. I).	1
4.918-S	Ring seal, 20.2 x 24 x 1.9 between automatic clutch control piston and rear cover of hydraulic gear selector (R. VI). Until September 1960.	1	616.013	Stud, 5 diameter x 24 long (threaded 6 and 10) (R. I) securing pipe assemblies: - on hydraulic gear selector. - on gear change speed control. Until March 1957.	8 2	616.059	Stud, 5 diameter 41 long, (threaded 7 and 12) securing gear change speed control (R. I).	1
4.992-S	Ring seal, 4.2 x 8 x 1.9, for seal plates DS 334-149 and DS 334-49a (R. VI). Since October 1956.	4	616.028	Stud, 6 diameter x 27.5 long (threaded 7 and 11.5) securing pipe assemblies (R. I): - on hydraulic gear selector. Until September 1960. September 1960 - June 1964. - Since June 1964. - on gear change speed control. March 1957 - January 1961.	8 6 4 2	617.800	Copper joint 9.2 x 14 x 0.5 (R. I). Until September 1960.	2
						621.055	Screw, hex. head, 5 diameter x 11 long, securing gear change speed control (R. I). Until January 1961.	2

106-GEAR CHANGE CONTROL PIPING



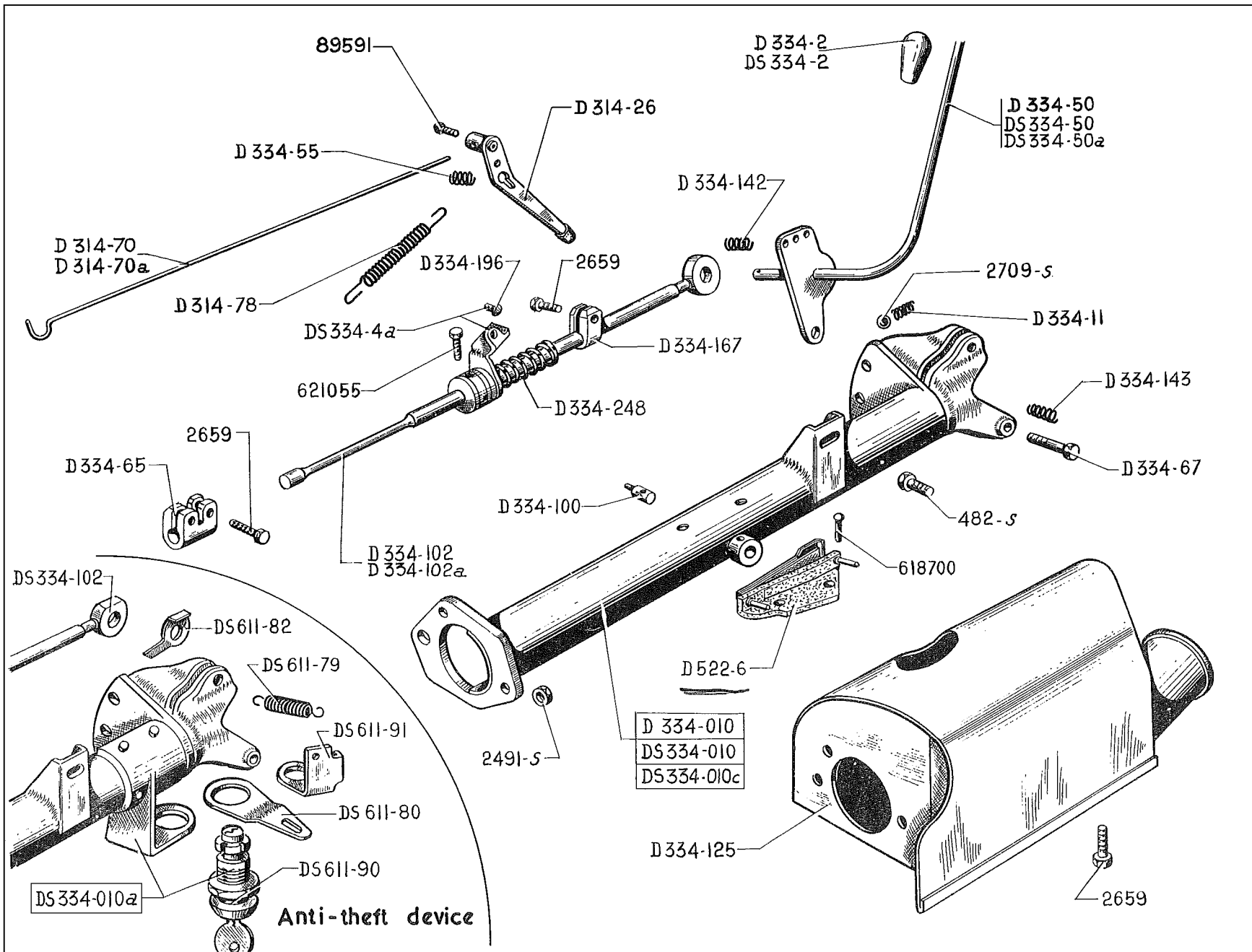
GEAR CHANGE CONTROL PIPING-107

NUMBER	DESCRIPTION	No. OFF	NUMBER	DESCRIPTION	No. OFF	NUMBER	DESCRIPTION	No. OFF
D 331-87	Shouldered stud, securing pipe assembly bracket and gearbox bracket hexagonal, shoulder 25.5 mm long, threaded 8 diameter x 125 pitch, total length 66:5.	2	DS 334-121	Pipe assembly between hydraulic gear selector and gearbox (5 pipes, flange fixing on gearbox at 3 points), L.H. steering. Since March 1957.	1	D 334-177	Support for pipe assembly on gearbox.	1
D 331-87a	Shouldered stud, securing pipe assembly bracket, cylindrical; 14 mm diameter shoulder 28 mm long, threaded 8 diameter x 125 pitch, total length 66.5 mm.	1	DS 334-121a	Pipe assembly between hydraulic gear selector and gearbox (5 pipes, flange fixing: hydraulic gear selector side, 3 holes 6.5 mm diameter; gearbox side: 2 holes 5.5 mm diameter) for replacement of hydraulic gear selector D 334-07 by DS 334-07a.	1	4942 S DS 334-180	Ring seal, 13.6 x 19 x 2.7 for piston controlling gears (R. VI). - 3rd and 4th speed at the front of the box. - 3rd and 4th speed at the rear. - 2nd speed at the rear.	1 1 1
D 334-016	Pipe assembly, rear, on gearbox with pistons controlling gears, (flange fixing at 2 points). Until March 1957.	1	DS 334-121b	Pipe assembly between hydraulic gear selector and gearbox. R.H. steering.	1	4973 S DS 334-181	Ring seal, 10.5 x 15.9 x 2.7 for piston controlling gears (R. VI). - 1st speed at the front of the box. - reverse speed at the rear.	1 1
DS 334-016	Pipe assembly, rear, on gearbox with pistons controlling gears, (flange fixing at 3 points). Since March 1957.	1	DS 334-123	Seal plate (without joint) between pipe assembly D 334-121 and hydraulic gear selector (5 holes 7.6: 2 fixing holes 5.5 mm diameter, 20 mm between centres) (R. VI). Until March 1957.	1		Washer for adjustment of cylinder controlling gears on gearbox, 17 x 22.6 :	As nec.
D 334-017	Pipe assembly, front, on gearbox with pistons controlling gears, (flange fixing at 2 points). Until March 1957.	1	D 334-127	Flange fixing rear pipe assembly to gearbox (2 holes 8 mm diameter). Until March 1957.	1	D 334-182e	1.5 mm thick.	
DS 334-017	Pipe assembly, front, on gearbox with pistons controlling gears, (flange fixing at 3 points). Since March 1957.	1	DS 334-127	Flange fixing rear pipe assembly to gearbox (2 holes 8 mm diameter; 3 holes 18). Since March 1957.	1	D 334-182f	1.6 mm thick.	
DS 334-69	Screw, 7 diameter x 48 long, for securing pipe assembly flanges on gearbox. Since March 1957.	3	D 334-128	Flange fixing front pipe assembly on gearbox (1 hole 8 mm diameter), Until March 1957.	1	D 334-182g	1.7 mm thick.	
D 334-77	Triple clip for rear piping assembly on gearbox.	1	DS 334-128	Flange fixing front pipe assembly on gearbox (1 hole 8 mm; 2 holes 18 mm diameter). Since March 1957.	1	D 334-182h	1.8 mm thick.	
D 334-121	Pipe assembly between hydraulic gear selector and gearbox (5 pipes, flange fixing on gearbox at 2 points). Until March 1957.	1				D 334-182i	1.9 mm thick.	
						D 334-182j	2 mm thick.	
						D 334-182L	2.2 mm thick.	
						D 334-182m	2.3 mm thick.	
						D 334-182n	2.4 mm thick.	
						D 334-182p	2.5 mm thick.	
						D 334-182q	2.6 mm thick.	
						D 334-182r	2.7 mm thick.	
						D 334-182s	2.8 mm thick.	
						D 334-182t	2.9 mm thick.	
						D 334-182u	2.1 mm thick.	

108-GEAR CHANGE CONTROL PIPING

NUMBER	DESCRIPTION	No. OFF	NUMBER	DESCRIPTION	No. OFF	NUMBER	DESCRIPTION	No. OFF
	Packing washer for adjusting cylinder controlling gears on gearbox 15 mm. diameter. Until March 1957.	As nec.	D 334-185	Spring clip securing packing washer for adjusting 2nd and 3rd/4th speed cylinder, length 18.2 mm. Until March 1957.	2	DS 334-281	Seal plate between pipe assembly and hydraulic gear selector (5 holes 7.6, 3 fixing holes 6.5 mm. diameter 18.5 and 27 mm. between centres) (R.VI). Since March 1957.	1
D 334-183h	Thickness 1.5			Washer for adjustment of cylinder controlling gears, 15.75 x 21.6:	As nec.	D 435-150	Rubber sleeve under clip on rear pipe assembly for gearbox.	3
D 334-183i	" 1.6		D 334-203	Thickness 1.5		64-S	Screw, round head, 4 diameter, 12.5 long securing triple clip on rear pipe assembly for gearbox (R. III).	1
D 334-183j	" 1.7		D 334-203d	" 1.7		299-S	Screw, hex. head 5 diameter 28 long for assembling front and rear pipe assemblies (R.III). Until March 1957.	2
D 334-183k	" 1.8		D 334-203f	" 1.9		305-S	Screw, hex. head 5 diameter 18 long securing pipe assembly controlling gears, on hydraulic gear selector (R.III). Since March 1957.	1
D 334-183l	" 1.9		D 334-203g	" 2.3		321-S	Screw, hex. head, 6 diameter 30 long for assembling pipe assemblies on gearbox (R.III). Since March 1957.	1
D 334-183m	" 2		D 334-203h	" 2.7		588-S	Screw, hex. head 7 diameter 55 long securing pipe assembly flange on gearbox (R.III). Until March 1957.	3
D 334-183n	" 2.1		D 334-203j	" 3.1		2.269-S	Nut, hex. 4 diameter 75 pitch securing triple clip on pipe assembly (R.III).	1
D 334-183p	" 2.2		D 334-203k	" 3.5		2.319-S	Nut, hex. 5 diameter 75 pitch securing pipe assemblies (R.III). Until March 1957.	8
D 334-183q	" 2.3		D 334-203l	" 3.9		2.369-S	Nut, hex. 6 diameter 100 pitch securing pipe assemblies (R.III). Since March 1957.	8
D 334-183r	" 2.4		D 334-203m	" 4.3		2.551-S	Nut, hex. 8 diameter 125 pitch securing pipe assembly bracket (R.III).	2
D 334-183s	" 2.5		D 334-203n	" 4.7		4.922-S	Ring seal 4.2 x 8 x 1.9 for seal plates (R.VI).	As nec.
D 334-183t	" 2.6			Washer for adjusting cylinder controlling 3rd and 4th speed cylinder 17.5 mm. diameter. Until March 1957.	As nec.	616.013	Stud 5 diameter 24 long (threaded 6 and 10) securing pipe assemblies on hydraulic gear selector (R. I). Until March 1957.	8
D 334-183u	" 2.7		D 334-223	Thickness 1.5		616.026	Stud 6 diameter 30 long (threaded 7 and 12) securing pipe assemblies on gearbox (R. I). Since March 1957.	2
D 334-183v	" 2.8		D 334-223a	" 1.6		616.028	Stud 6 diameter 25.5 long (threaded 7 and 9.5) securing pipe assemblies on hydraulic gear selector (R. I). Since March 1957.	8
D 334-183w	" 2.9		D 334-223b	" 1.7				
	Washer under flange securing pipe assembly on gearbox 18 x 22. Since March 1957.	As nec.	D 334-223c	" 1.8				
DS 334-183	Thickness 0.4 (R.VI).		D 334-223d	" 1.9				
DS 334-183b	" 0.6 (R.VI).		D 334-223e	" 2				
DS 334-183d	" 0.8 (R.VI).		D 334-223f	" 2.1				
DS 334-183f	" 1 (R.VI).		D 334-223g	" 2.2				
DS 334-183h	" 1.5		D 334-223h	" 2.3				
DS 334-183j	" 1.7		D 334-223i	" 2.4				
DS 334-183l	" 1.9		D 334-223j	" 2.4				
DS 334-183n	" 2.1		D 334-223k	" 2.5				
DS 334-183q	" 2.3		D 334-223l	" 2.6				
DS 334-183s	" 2.5		D 334-223m	" 2.7				
DS 334-183u	" 2.7		D 334-223n	" 2.8				
DS 334-183w	" 2.9		D 334-223p	" 2.9				
D 334-184	Spring clip securing packing washer for adjusting reverse speed cylinder length 20.7 mm. Until March 1957.	1	DS 334-280	Seal plate between pipe assembly on gearbox (5 holes 7.6, 3 fixing holes 6.5 mm diameter, 19 and 38 mm between centres (R. VI). Since March 1957.	2			

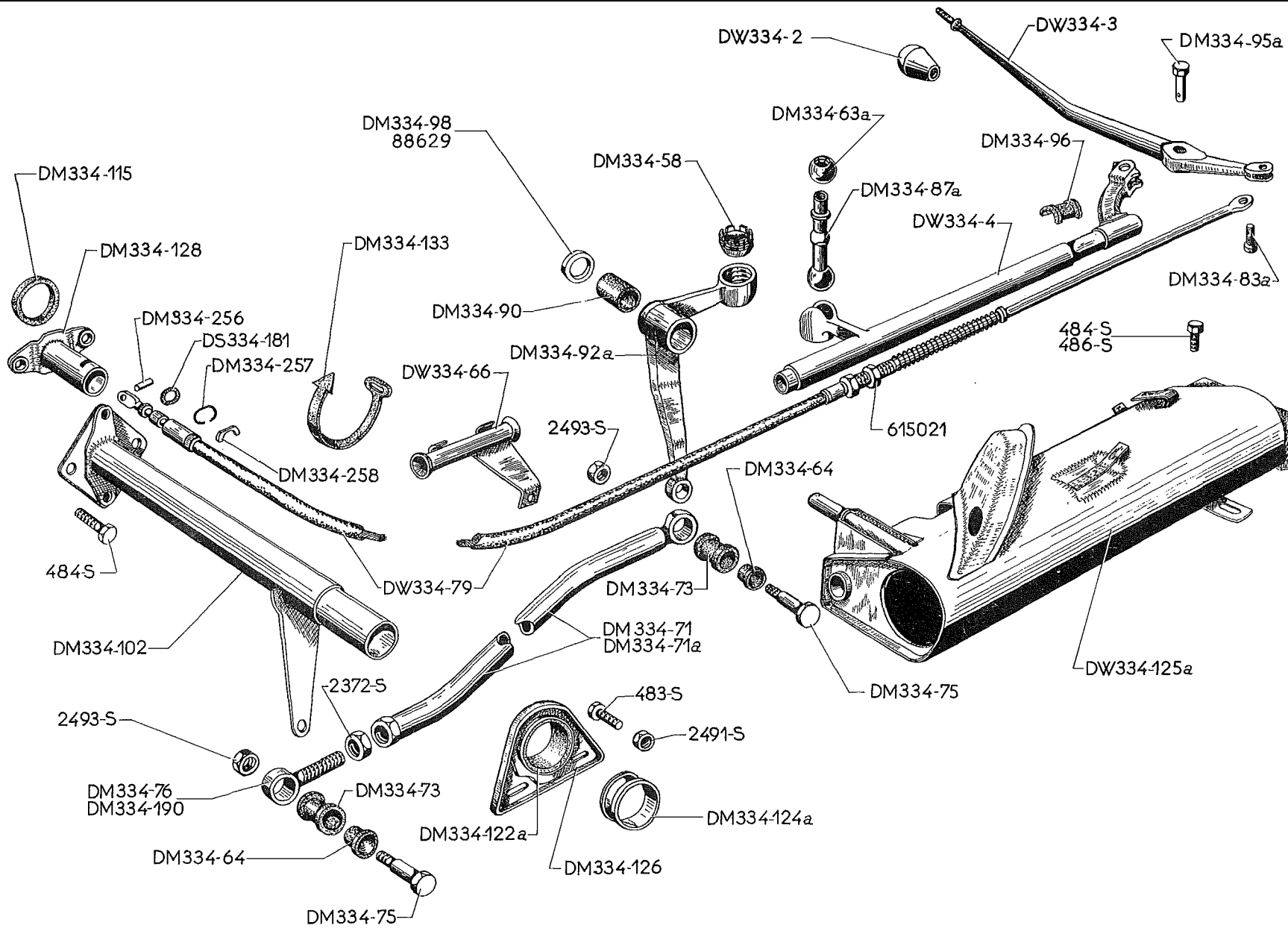
110-GEAR CHANGE CONTROL SELECTOR-HYDRAULIC DRIVE



GEAR CHANGE CONTROL SELECTOR-HYDRAULIC DRIVE-III

NUMBER	DESCRIPTION	No. OFF	NUMBER	DESCRIPTION	No. OFF	NUMBER	DESCRIPTION	No. OFF
D 314-26	Auxiliary clutch control lever.	1	DS 334-50a	Gear selector lever on selector. R.H. steering.	1.	DS 611-79	Return spring for anti-theft bolt (12 x 51) (R. VI). Germany. January 1962 - December 1962.	1
D 314-70	Rod for auxiliary clutch control lever. L.H. steering.	1	D 334-55	Thrust spring for auxiliary clutch control lever.	1	DS 611-80	Distance plate for anti-theft lock and steering column bracket (R. VI). Germany. January 1962 - December 1962.	1
D 314-70a	Rod for auxiliary clutch control lever. R.H. steering.	1	D 334-65	Coupling sleeve between selector lever and hydraulic gear selector.	1	DS 611-82	Safety lever on change speed lever (R. VI). Germany. January 1962 - December 1962.	1
D 314-78	Return spring for auxiliary clutch control lever.	1	D 334-67	Pin for positioning selector quadrant.	1	DS 611-90	Lock barrel with keys and locking nuts. Anti-theft (R. VI). Germany. January 1962 - December 1962.	1
D 334-010	Gear selector lever complete. Until September 1961.	1	D 334-100	Pin for positioning selector gate.	1	DS 611-91	Anti-theft bolt (R. VI). Germany. January 1962 - December 1962.	1
DS 334-010	Gear selector lever complete. L.H. steering. All Types. September 1961 - January 1962. All Types except Germany. Since January 1962.	1	D 334-102	Connecting rod between selector lever and hydraulic gear selector. L.H. steering. All Types. Until January 1962. All Types except Germany. Since January 1962.	1	482-S	Screw, hex. head, 7 diameter x 12.5 long, securing selector (R. III).	2
DS 334-010a	<i>Gear selector lever complete with anti-theft device. L.H. steering. Germany. Since January 1962. No longer supplied.</i>	1	D 334-102a	Connecting rod between selector lever and hydraulic gear selector. R.H. steering.	1	2.491-S	Nut, hex., 7 diameter x 100 pitch, for coupling selector and hydraulic gear selector (R. III).	2
DS 334-010c	Gear selector lever complete. R.H. steering.	1	DS 334-102	Connecting rod between selector lever and hydraulic gear selector (anti-theft device). Germany. January 1962 - December 1962.	1	2.659	Screw, hex. head, 5 diameter x 75 pitch, 13 mm long (R. III): - tightening coupling sleeve. - securing support for hydraulic gear selector. - tightening clamp on connecting rod.	2 2 1
D 334-2	Knob, white, for selector lever, tapped 6 diameter x 100 pitch (R. VI). Until September 1961.	1	D 334-125	Support for hydraulic gear selector and change speed control. L.H. steering.	1	2.709-S	Locking ball for change speed lever (R. VI).	2
DS 334-2	Knob, black, for selector lever, tapped 5 diameter x 75 pitch (R. VI). Since September 1961.	1	<u>DS 334-125</u>	Support for hydraulic gear selector and change speed control. R.H. steering.	1	89.591	Screw tightening control rod on auxiliary clutch control lever (R. III).	1
DS 334-4a	Gate for selector with pad for starter switch.	1	D 334-142	Thrust spring for connecting rod.	1	618.700	Rivet securing starter switch (R. III).	2
D 334-11	Spring for locking gears on selector (5.9 mm diameter, wire diameter 0.9 mm).	2	D 334-143	Thrust spring for positioning quadrant.	1	621.055	Screw, hex. head, 5 diameter x 75 pitch, length 11, securing selector gate (R. I).	1
D 334-50	Gear selector lever with positioning quadrant, threaded 6 diameter x 100 pitch. Until September 1961.	1	D 334-167	Clamp on connecting rod.	1			
DS 334-50	Gear selector lever with positioning quadrant, threaded 5 diameter x 75 pitch. Since September 1961. L.H. steering.	2	D 334-196	Insulating pad (nylon) for starter switch (R. VI).	1			
			D 334-248	Spring locating neutral position for reverse speed.	1			
			D 522-6	Starter motor switch (R. VI).	1			

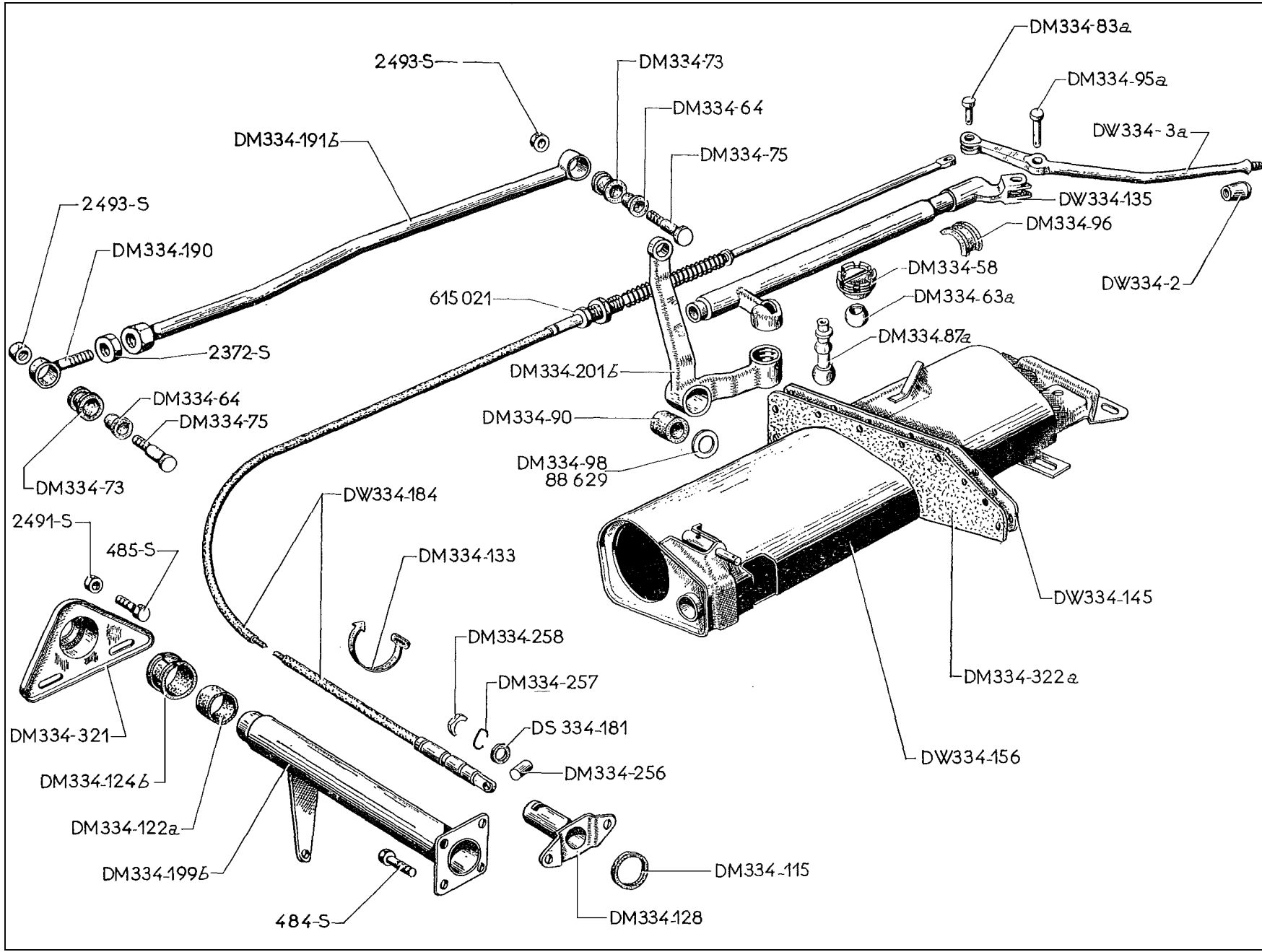
GEAR CONTROL MECHANICAL-(LEFT-HAND STEERING)-113



112-GEAR CONTROL MECHANICAL-(LEFT-HAND STEERING)

NUMBER	DESCRIPTION	No. OFF	NUMBER	DESCRIPTION	No. OFF	NUMBER	DESCRIPTION	No. OFF
DW 334-2	Knob for control lever on dashboard, threaded 7 diameter x 100 pitch (R. VI).	1	DM 334-87a	Ball with stem, for bellcrank lever and shaft controlling gears.	1	DS 334-181	Ring seal, 10.5 x 15.9 x 2.7 on end piece of cable sheath (R. VI).	1
DW 334-3	Lever controlling gears on dashboard, threaded 7 diameter x 100 pitch.	1	DM 334-90	Bush rilsan 12 x 16 x 25 for bellcrank lever, controlling gears (R. VI).	1	DM 334-190	Adjustable end piece for rod controlling gears (threaded 9 diameter 125 pitch. Eyelet in centre of thread). Since April 1963.	1
DW 334-4	Shaft for gear control, with yoke and lever (diameter of articulation hole 7 mm).	1	DM 334-92a	Bellcrank lever, controlling gears.	1	DM 334-256	Pin, cylindrical, 5 diameter 13 long connecting control cable to locking plunger.	1
DM 334-58	Seat for ball joint on bellcrank lever, for gear change control.	2	DM 334-95a	Clevis pin, 7 diameter 32.8 long, for gear control lever on dashboard.	1	DM 334-257	Circlip, for end piece of gear change control cable sheath.	1
DM 334-63a	Ball joint on bellcrank lever, for gear change control.	1	DM 334-96	Half bearing, rilsan, for gear change control shaft (20 mm long)(R. VI).	2	DM 334-258	Half washer, for securing end piece of gear change control cable sheath (R. VI).	1
DM 334-64	Bush, shouldered, rilsan, 10 x 12 x 17 x 7.5, securing control rod (R. VI).	4	DM 334-98	Stop washer, flexible, 12 x 22 x 0.5 for gear change bellcrank lever (R. VI).	1	483-S	Screw, hex, head, 7 diameter 15 long, securing bushed bearing bracket supporting tube (R. III).	2
DW 334-66	Guide for cable controlling gears.	1	DM 334-102	Tube, for gear change control, with flexible coupling and lever.	1	484-S	Screw, hex, head, 7 diameter 17.5 long, (R. III) securing: - flexible coupling of gear change control. - support for gear change control.	2 1
DM 334-71	<i>Rod for gear change control (total length 820 mm). Until April 1963. Replaced by DM 334-71a; order in addition: 1-DM 334-190.</i>	1	DM 334-115	Joint, rubber, 28.5 x 35 x 2 between flange and support tube for fork shaft, operating levers.	1	486-S	Screw, hex, head 7 diameter 22 long securing support for gear change control (R. III).	2
DM 334-71a	Rod for gear change control, (total length 722 mm). Since April 1963.	1	DM 334-122a	Bush, rubber, 31.5 x 40.25 x 10, for control tube bearing.	1	2.372-S	Nut, hex. 9 diameter 125 pitch, for adjustable end piece (R. III).	1
DM 334-73	Rubber bush, shouldered, 12 x 16 x 19 x 14.5, securing control rod.	2	DM 334-124a	Bush, shouldered, 29 x 31.5 x 33.4 x 12 for control tube bearing (R. VI).	1	2.491-S	Nut, hex. 7 diameter 100 pitch, 7 mm high, for screw securing support tube bearing (R. III).	2
DM 334-75	Pin, shouldered, 10 diameter (threaded 7 diameter x 100 pitch), securing control rod.	2	DW 334-125a	Housing for gear change control on dashboard.	1	2.493-S	Nut, hex. 7 diameter 100 pitch, 5 mm high, securing control rod (R. III).	2
DM 334-76	<i>End piece, adjustable, for control rod (threaded 9 diameter x 125 pitch, eye off centre). Until April 1963. Replaced by DM 334-190. Order in addition: 1-DM 334-71a.</i>	1	DM 334-126	Bearing bracket, bushed, supporting tube for gear change control.	1	88.629	Stop washer, flat, 12.5 x 20 x 1 for bellcrank lever, for gear change control (R. I).	1
DW 334-79	Cable, for gear change control, 1410 mm long, length of end piece 68 mm (R. VI).	1	DM 334-128	Coupling flange, with hub, between flexible coupling support tube for fork shaft, operating levers.	1	615.021	Nut, hex, 15 diameter 150 pitch, securing gear control cable (R. VI).	1
DM 334-83a	Clevis pin, 5 diameter x 15.5 long, connecting cable to lever on dashboard.	1	DM 334-133	Strap, rubber, for securing gear change control cable.	1			

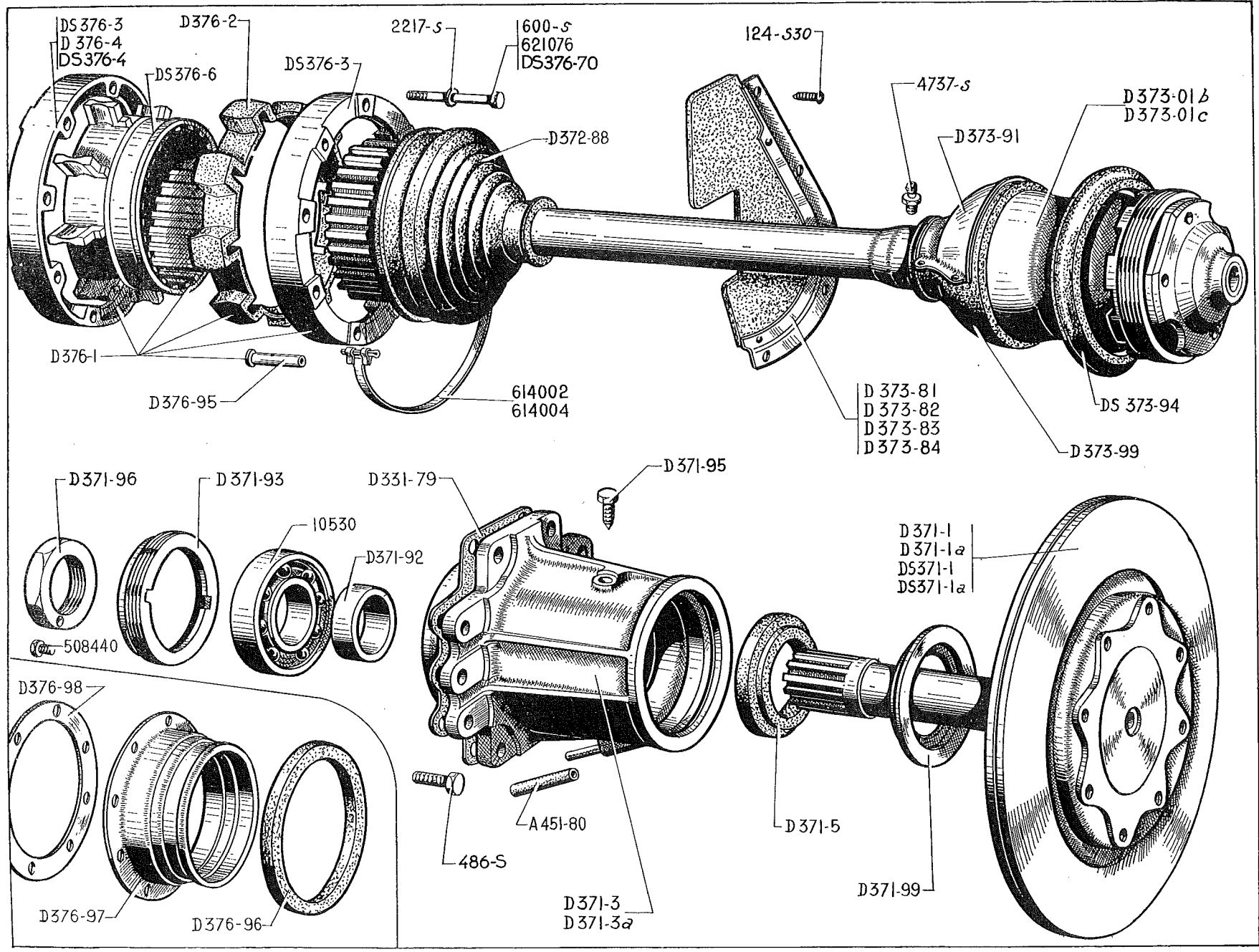
I14-GEAR CONTROL MECHANICAL-(RIGHT-HAND STEERING)



GEAR CONTROL MECHANICAL-(RIGHT-HAND STEERING)-115

NUMBER	DESCRIPTION	No. OFF	NUMBER	DESCRIPTION	No. OFF	NUMBER	DESCRIPTION	No. OFF
DW 334-2	Knob for control lever on dashboard, threaded 7 x 100 (R. VI).	1	DM 334-115	Joint, rubber, 28.5 x 35 x 2 between flange and support tube for fork shaft operating levers.	1	DM 334-257	Circlip for end piece of gear change control cable sheath.	1
DW 334-3a	Gear control lever on dashboard.	1	DM 334-122a	Bush, rubber, 31.5 x 40.25 x 10, for control tube bearing.	1	DM 334-258	Half washer for securing end piece of cable sheath (R. VI).	1
DM 334-58	Seating nut for ball joint on bell crank gear change control lever.	2	DM 334-124b	Bush, shouldered, open, for control tube bearing (R. VI).	1	DM 334-321	Bracket for bearing supporting tube for gear change control.	1
DM 334-63a	Ball joint on bell crank gear change control lever.	1	DM 334-128	Coupling flange with hub between flexible coupling and support tube of fork shaft operating levers.	1	DM 334-322a	Sealing gasket between dashboard and housing for gear change control (R. VI).	1
DM 334-64	Bush, rilsan, shouldered, 10 x 12 x 17 x 7.5 for securing control rod (R. VI).	4	DM 334-133	Strap, rubber, for securing gear change control cable.	1	484-S	Screw, hex. head; 7 x 17.5, for securing flexible coupling of gear change control (R. III).	2
DM 334-73	Rubber bush, shouldered, 12 x 16 x 19 x 14.5 for securing control rod.	2	DW 334-135	Control shaft for levers with plate and lever.	1	485-S	Screw, hex. head, 7 x 20, for securing bush bearing (supporting tube) (R. III).	2
DM 334-75	Pin, shouldered, 10 mm (threaded 7 x 100) for securing control rod.	2	DM 334-145	Counter plate for sealing (R. VI).	1	2.372-S	Nut, hex., 9 x 125, for adjustable rod end piece.	1
DM 334-83a	Clevis pin, 5 x 15.5, connecting cable to lever on dashboard.	1	DW 334-156	Bracket for gear control on dashboard.	1	2.491-S	Nut, hex., 7 x 100, 7 mm high on the screw securing support tube bearing (R. III).	2
DM 334-87a	Ball with stem for bell crank lever on gear control.	1	DS 334-181	Ring seal, 10.5 x 15.9 x 2.7 on end piece of cable sheath (R. VI).	1	2.493-S	Nut, hex., 7 x 100 x 5 mm high for securing control rod (R. III).	2
DM 334-90	Bush, rilsan, 12 x 16 x 25 for bell crank lever on gear control (R. VI).	1	DW 334-184	Control cable for gear change (R. VI).	1	88.629	Washer, 12.5 x 20 x 1, for stop of bell crank lever for gear change control (R. I).	1
DM 334-95a	Clevis pin, 7 x 32.8, for gear control lever on dashboard.	1	DM 334-190	End piece, adjustable, for gear change control rod (threaded 9 x 125).	1	615.021	Nut, hex., 15 x 150, for securing cable of gear control (R. VI).	1
DM 334-96	Half bearing, rilsan, on gear control shaft (20 mm long) (R. VI).	2	DM 334-191b	Control rod for gear change (total length 795 mm) (R. VI).	1			
DM 334-98	Stop washer, flexible, 12 x 22 x 0.5, for gear change bell crank lever (R. VI).	1	DM 334-199b	Tube for gear change control with flexible coupling and lever.	1			
			DM 334-201b	Bell crank lever controlling gears (R. VI).	1			
			DM 334-256	Pin, cylindrical, 5 x 13, connecting control cable to locking plunger.	1			

118-FRONT AXLE-TRANSMISSION-DIFFERENTIAL SHAFTS



116-FRONT AXLE-TRANSMISSION-DIFFERENTIAL SHAFTS

NUMBER	DESCRIPTION	No. OFF	NUMBER	DESCRIPTION	No. OFF	NUMBER	DESCRIPTION	No. OFF
A 451-80	Flexible pipe 5 x 7 x 185 for oil outlet on differential shaft bearing.	2	D 371-99	Oil retaining washer on differential shaft, 35 x 71.5 (R. VI).	2	<u>DS 373-99</u>	Rubber cover on driveshaft 95 mm inside diameter and 40 mm. Since April 1964.	2
D 331-79	Joint for differential shaft bearing (R. VI).	2	D 372-88	Dust shield on driveshaft (gearbox side) internal diameter 26 and 111 mm.	2	D 376-1	<i>Driving sleeve, female with flexible coupling, 30 splines. Until October 1961. Replaced by DS 376-4; order in addition: 1-DS 376-3, 1-DS 376-6, 1-D 376-2, 8-DS 376-70.</i>	2
D 371-1	Differential shaft, left-hand with brake friction disc, length of shaft 202 mm. Until October 1961.	1	D 373-01b	Driveshaft complete, front, left-hand (without driving dowels on plate).	1	D 376-2	Flexible drive block, external diameter 149 mm.	2
D 371-1a	Differential shaft, right-hand with brake friction disc, length of shaft 192 mm. Until October 1961.	1	D 373-01c	Driveshaft complete, front, right-hand (without driving dowels on plate).	1	DS 376-3	Driving plate, female (differential and wheelside), 8 holes 9 mm diameter. Since October 1961.	4
DS 371-1	Differential shaft, left-hand with brake friction disc, 8 holes 9 mm diameter, length of shaft 202 mm. Since October 1961.	1	D 373-81	Shield for driveshaft opening, rear, right-hand (sidemember opening). Until November 1958.	1	D 376-4	<i>Driving plate, female (differential side, external diameter 164 mm), 8 holes 7 mm diameter. Until October 1961. Replaced by DS 376-4; order in addition: 1-DS 376-3, 8-DS 376-70, 8-2.217-S (R. III).</i>	2
DS 371-1a	Differential shaft, right-hand with brake friction disc, 8 holes 9 mm diameter, length of shaft 192 mm. Since October 1961.	1	D 373-82	Shield for driveshaft opening, rear, left-hand (sidemember opening). Until November 1958.	1	DS 376-4	Plate with housing for centring dowel, differential shaft side, 8 holes 9 mm diameter for replacement of D 376-1.	2
D 371-3	Housing for differential shaft, left-hand, length 145.5 mm.	1	D 373-83	Shield for driveshaft opening, front, right-hand (sidemember opening). Until November 1958.	1	DS 376-6	Driving hub only, with cup.	2
D 371-3a	Housing for differential shaft, right-hand, length 135.5 mm.	1	D 373-84	Shield for driveshaft opening, front, left-hand (sidemember opening). Until November 1958.	1	DS 376-70	Screw, 7 diameter x 100 pitch, securing female driving plate, length under head 73 mm, 8 mm diameter.	16
D 371-5	Sealing ring for differential shaft bearing, 39 x 65 x 10 (R. VI).	2	D 373-91	<i>Half cover retaining rubber cover on driveshaft. Until April 1964. Replaced by DS 373-99. Order in addition 1-602.009. (R. VI). For two half covers.</i>	4	D 376-95	<i>Pin for assembling driving plates, 10 mm diameter. Until October 1961. No longer supplied.</i>	8
D 371-92	Thrust sleeve for differential shaft bearing 30.2 x 38 x 10.	2	DS 373-94	Driveshaft sealing joint, 108 x 118 x 16 (R. VI).	2	D 376-96	Rubber ring 112.5 x 121 x 13 on driving sleeve. Until June 1957.	2
D 371-93	Ring nut, male, 74 diameter x 150 pitch, locking bearing on differential shaft housing.	2	D 373-99	<i>Rubber cover on driveshaft, internal diameter 40 mm and 103 mm. Until April 1964. Replaced by DS 373-99. Order in addition: 1-602.009 and delete half cover D 373-91.</i>	2			
D 371-95	Screw, 7 diameter x 100 pitch, securing ring nut locking bearing on differential shaft housing.	2						
D 371-96	Nut, hex. , 30 diameter x 150 pitch, on differential shaft.	2						

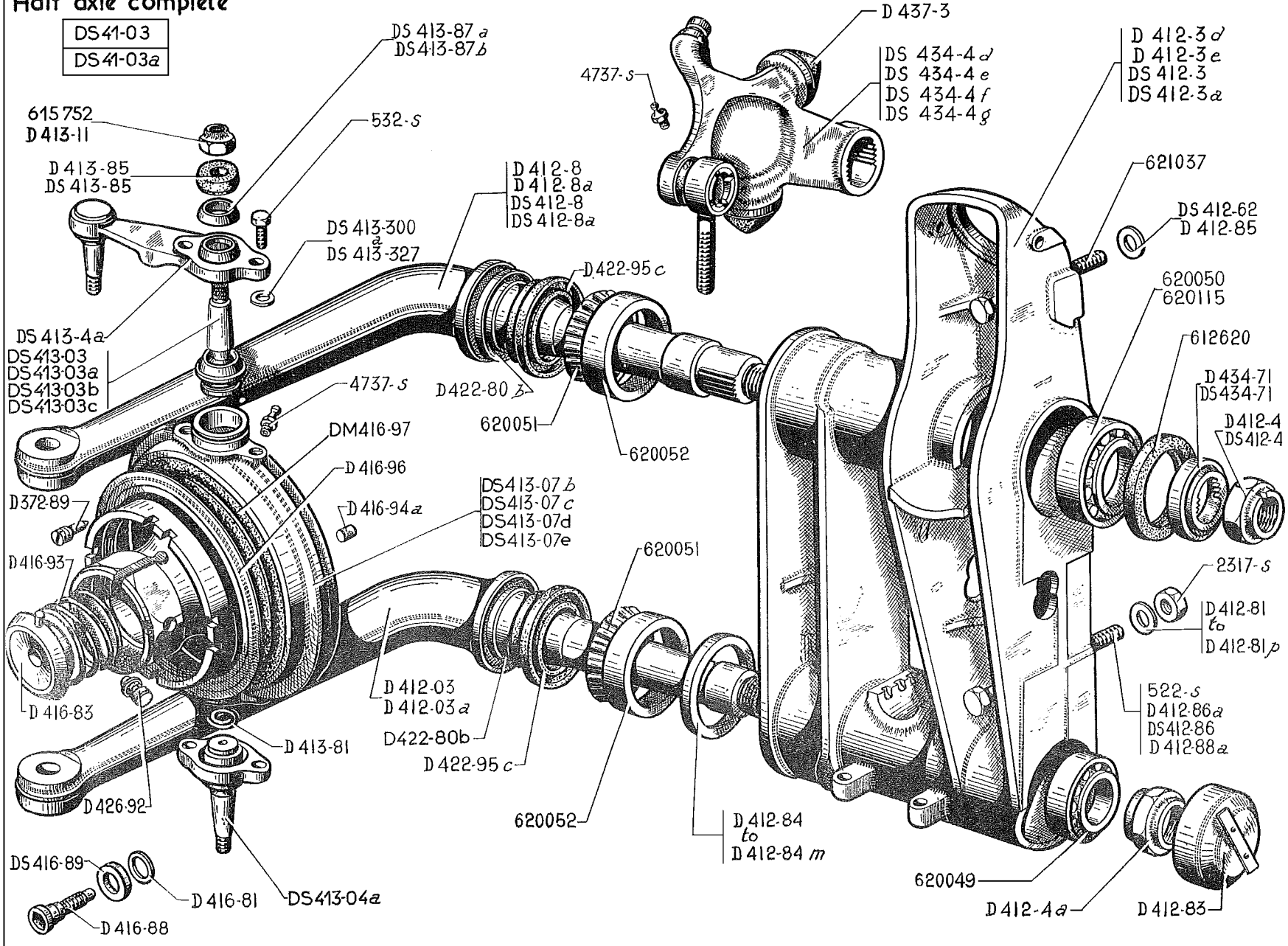
FRONT AXLE-TRANSMISSION-DIFFERENTIAL SHAFTS-119

NUMBER	DESCRIPTION	No. OFF	NUMBER	DESCRIPTION	No. OFF	NUMBER	DESCRIPTION	No. OFF
D 376-97	Housing for dust cover on driving sleeve, 109 x 160 x 47. Until June 1957.	2	600-S	Screw, hex. head, 7 diameter x 70 long, securing driving sleeve (R. III). Until October 1961.	16	<u>602.009</u>	Clip, 340 mm long, for rubber cover on driveshaft. Since April 1964.	2
D 376-98	Washer, 116 x 160 x 1 for rubber ring on driving sleeve. Until June 1957.	2	2.217-S	Washer, 9.5 x 16 x 2, securing driving sleeve (R. III). Since October 1961.	16	614.002	Clip for dust shield on driveshaft, 220 mm long (R. VI).	2
124-S 30	Screw, round head, 5 diameter x 12.5 long, securing driveshaft shields (R. III). Until November 1958.	1	4.737-S	Greaser for driveshaft (R. VI).	2	614.004	Clip for dust shield on driving sleeve, 765 mm long (R. VI).	2
486-S	Screw, hex. head, 7 diameter x 22.5 long, for securing differential shaft bearing (R. III).	8	10.530	Bearing, 30 x 72 x 19 for differential shaft (R. VI).	2	621.076	Screw, 9 diameter x 75 long, securing driving sleeve (R. II). Since October 1961.	16
			508-440	Screw, hex. head, 6 diameter x 11 long, securing differential shaft nut (R. I).	2			

The numbers underlined indicate new parts which do not appear on the illustration.

122-FRONT AXLE-ARMS-SWIVELS-HUBS-COUPLING LEVERS

Half axle complete



120-FRONT AXLE-ARMS-SWIVELS-HUBS-COUPPLING LEVERS

NUMBER	DESCRIPTION	No. OFF	NUMBER	DESCRIPTION	No. OFF	NUMBER	DESCRIPTION	No. OFF
DS 41-03	Half axle, front, left-hand, (upper arm bore for bearing 40 mm diameter). Since March 1960. Replace earlier models by model supplied before October 1956; order in addition: 1-DS 412-62 (R. VI).	1	DS 412-3a	<i>Bracket for front link arms, right-hand (for upper arm arrangement with 40 mm seating for bearing). March 1960 - October 1964. Replaced by DS 412-3c.</i>	1	D 412-81e	Thickness 2	
DS 41-03a	Half axle, front, right-hand, (upper arm bore for bearing 40 mm diameter). Since March 1960. Replaces earlier models by model supplied before October 1956; order in addition: 1-DS 412-62 (R. VI).	1	<u>DS 412-3b</u>	Bracket for front link arms, left-hand. Upper arm bore for bearing 40 mm diameter (fitting with wide tread tyres). Since October 1964.	1	D 412-81f	" 2.05	
<u>DS 41-03b</u>	Half axle, front, left-hand (upper arm bore for bearing 40 mm diameter). (When fitted with wide tread tyres). Since October 1964.	1	<u>DS 412-3c</u>	Bracket for front link arms, right-hand, upper arm bore for bearing 40 mm diameter (fitting with wide tread tyres). Since October 1964.	1	D 412-81g	" 2.10	
<u>DS 41-03c</u>	Half axle, front, right-hand (upper arm bore for bearing 40 mm diameter. (When fitted with wide tread tyres). Since October 1964.	1	D 412-4	Nut, hex. 27 diameter 150 pitch locking upper front link arm, 16.5 mm thick. Until March 1960.	2	D 412-81h	" 2.15	
D 372-89	Teat screw, 7 diameter x 100 pitch, 18.8 mm long, locking stub axle nut.	2	D 412-4a	Nut, hex., 27 diameter 150 pitch locking lower front link arm, 22.6 mm thick.	2	D 412-81j	" 2.20	
D 412-03	Lower arm, front, left-hand, seating for bearing 30 mm diameter.	1	DS 412-4	Nut, hex. 27 diameter 150 pitch, (46 across flats) locking upper link arm. Since March 1960.	2	D 412-81k	" 2.25	
D 412-03a	Lower arm, front right-hand, seating for bearing 30 mm diameter.	1	D 412-8	Upper link arm, front, left-hand, seating for bearing 35 mm diameter. Until March 1960.	1	D 412-81l	" 2.30	
D 412-3d	Bracket for front link arms, left-hand. October 1956 - March 1960. Replaces earlier type by ordering in addition: 1-DS 412-62 (R. VI).	1	D 412-8a	Upper link arm, front, right-hand, seating for bearing 35 mm diameter. Until March 1960.	1	D 412-81m	" 2.35	
D 412-3e	Bracket for front link arms, right-hand. October 1956 - March 1960. Replaces earlier type by ordering in addition: 1-DS 412-62 (R. VI).	1	DS 412-8	Upper link arm, front, left-hand (seating for bearing 40 mm diameter). Since March 1960.	1	D 412-81n	" 2.40	
DS 412-3	Bracket for front link arms, left-hand (for upper arm arrangement with 40 mm seating for bearing). March 1960 - October 1964.	1	DS 412-8a	Upper link arm, front, right-hand (seating for bearing 40 mm diameter). Since March 1960.	1	D 412-81p	" 2.45	
			DS 412-62	Distance washer 17 x 28 x 3 for mounting brackets D 412-3d and D 412-3e in place of earlier type brackets (R. VI). Since October 1956.	2	D 412-83	Metal cap for lower arm bearing external diameter 62.1 mm.	2
			D 412-81	Thrust washer, lower 14.5 x 28 for link arm bracket. Until April 1958.	As nec.		Washer for adjusting caster angle on lower arm 60 x 71.5.	As nec.
			D 412-81a	Thickness 1.75.		D 412-84	Thickness 4.6	
			D 412-81b	Thickness 1.80. No longer supplied.		D 412-84a	" 4.8	
			D 412-81c	Thickness 1.85. No longer supplied.		D 412-84b	" 5	
			D 412-81d	" 1.90.		D 412-84c	" 5.2	
				" 1.95.		D 412-84d	" 5.4	
						D 412-84e	" 5.6	
						D 412-84f	" 5.8	
						D 412-84g	" 6	
						D 412-84h	" 6.2	
						D 412-84j	" 6.4	
						D 412-84k	" 6.6	
						D 412-84l	" 6.8	
						D 412-84m	" 7	

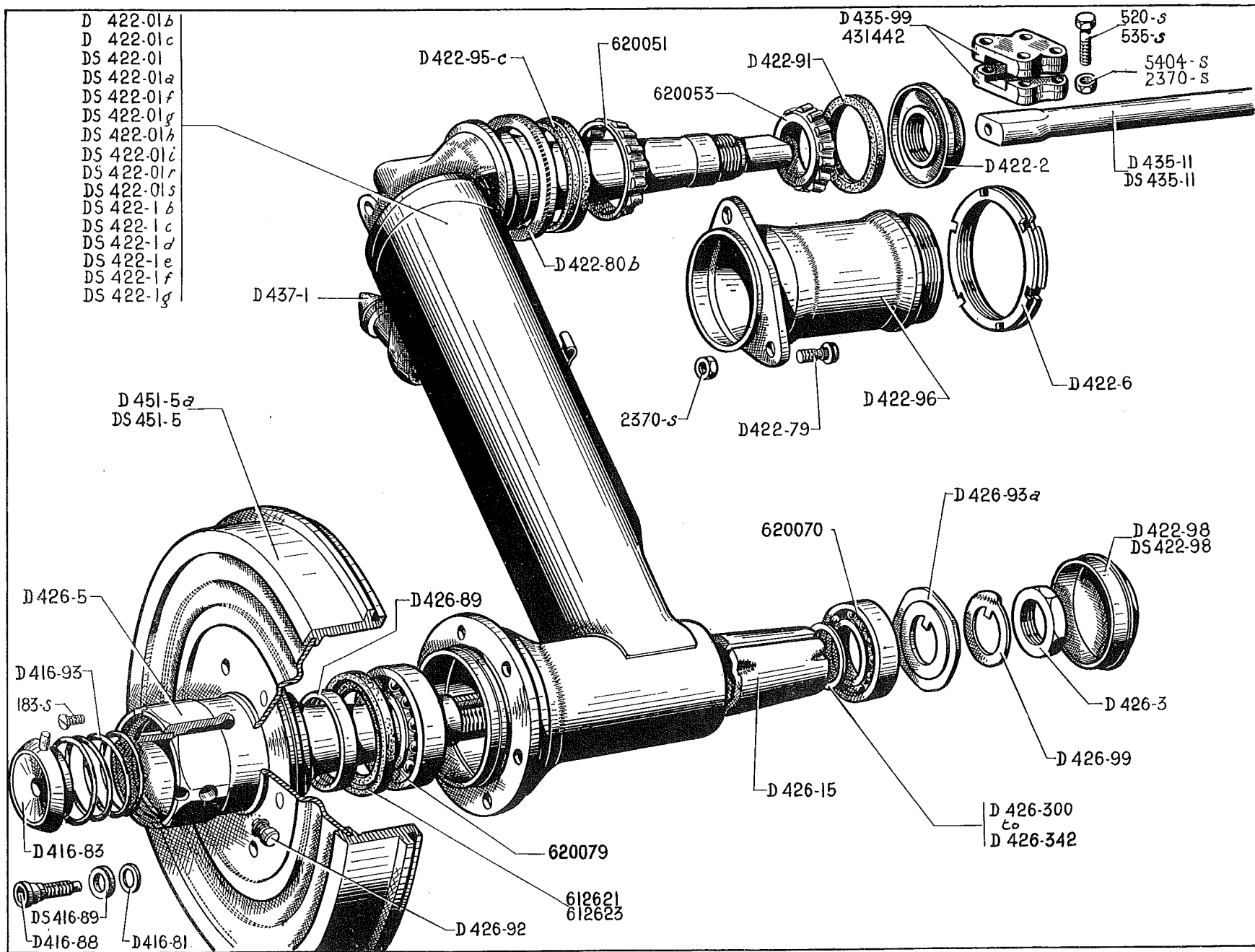
FRONT AXLE-ARMS-SWIVELS-HUBS-COUPLING LEVERS-123

NUMBER	DESCRIPTION	No. OFF	NUMBER	DESCRIPTION	No. OFF	NUMBER	DESCRIPTION	No. OFF
D 412-85	Washer, 12 mm diameter, for upper securing screw of swivel arm bracket.	2	DS 413-07b	Swivel, left-hand, with hub (greaser for lower ball pin). June 1962 - October 1963. Replaces earlier models. For models before October 1959; order in addition: 1-DS 413-85, 1-DS 413-87a (R. VI). Replaced by DS 413-07d; order in addition: 1-615.751 (R. VI), 1-615.752 (R. VI).	1	DS 413-85	Rubber buffer for upper swivel ball cup, internal diameter 21.5 mm, thickness 10.5 mm. Since October 1959.	2
D 412-86a	Screw, round head, 14 diameter x 150 pitch, 104 mm long for lower rear securing point of swivel arm bracket. Until October 1959.	2	DS 413-07c	Swivel, right-hand, with hub (greaser for lower ball pin). June 1962 - October 1963. Replaces earlier models. For models before October 1959; order in addition: 1-DS 413-85, 1-DS 413-87a (R. VI). Replaced by DS 413-07e; order in addition: 1-615.751 (R. VI), 1-615.752 (R. VI).	1	DS 413-87a	Cup, upper, for swivel, 9 mm thick (R. VI). Since October 1959.	2
DS 412-86	Screw, round head, splined, 14 diameter x 150 pitch, 98 mm long, for lower rear securing point of swivel arm bracket. Since October 1959.	2	DS 413-07d	Swivel, left-hand, with hub (greaser for lower ball pin). Upper and lower ball pin without hole for pin. Since October 1963.	1	DS 413-87b	Cup, upper and lower, for swivel, front (R. VI). - lower. Since October 1959.	4 2
D 412-88a	Screw, hex. head, 14 diameter x 150 pitch, 78.5 mm long, for lower front securing point of swivel arm bracket.	2	DS 413-07e	Swivel, right-hand, with hub (greaser for lower ball pin). Upper and lower ball pin without hole for pin. Since October 1963.	1	DS 413-300	Washer for adjustment of upper and lower ball pins, 9.5 x 14.5.	As nec.
DS 413-03	Ball pin assembly, upper for swivel (with 2 seats), October 1959 - October 1963. Replaced by DS 413-03b; order in addition: 1-615.752 (R. VI).	2	DS 413-4a	Coupling lever on swivel with ball pin (flange 22 mm thick). Without pin hole. Since October 1963. Replaces earlier models. Order in addition: 1-615.752 (R. VI). For models before October 1959; order in addition: 1-DS 413-85, 1-DS 413-87a (R. VI).	2	DS 413-301	1.23 mm thick.	
DS 413-03a	Ball pin assembly, upper for swivel (2 seats, 1 distance piece). For replacement of D 413-03; order in addition: 1-DS 413-4, 1-DS 413-85, 1-DS 413-87 (R. VI). Until October 1963. Replaced by DS 413-03c; order in addition: 1-615.752 (R. VI).	2	D 413-11	Nut, hex., castellated, 16 diameter x 150 pitch, for front swivel ball pin (R. VI). Until October 1963.	4	DS 413-302	1.27 mm thick.	
DS 413-03b	Ball pin assembly, upper, for pivot (with 2 seats). Without hole for pin. Since October 1963.	2	D 413-81	Spring for lower swivel ball pin, external diameter 25.5 mm.	2	DS 413-303	1.31 mm thick.	
DS 413-03c	Ball pin assembly, upper, for pivot (with 2 seats, 1 distance piece). For replacement of D 413-03 (without hole for pin). Since October 1963.	2	D 413-85	Rubber buffer for upper and lower swivel ball pin, internal diameter 21.5, thickness 13 mm. - lower. Since October 1959.	4 2	DS 413-304	1.35 mm thick.	
DS 413-04a	Ball pin assembly, lower, for swivel, with seat (36.3 mm diameter) and swivelling flange, (without hole for pin). Since October 1963. Replaces earlier models: order in addition: 1-615.752 (R. VI).	2				DS 413-305	1.39 mm thick.	
						DS 413-306	1.43 mm thick.	
						DS 413-307	1.47 mm thick.	
						DS 413-308	1.51 mm thick.	
						DS 413-309	1.55 mm thick.	
						DS 413-310	1.59 mm thick.	
						DS 413-311	1.63 mm thick.	
						DS 413-312	1.67 mm thick.	
						DS 413-313	1.71 mm thick.	
						DS 413-314	1.75 mm thick.	
						DS 413-315	1.79 mm thick.	
						DS 413-316	1.83 mm thick.	
						DS 413-317	1.87 mm thick.	
						DS 413-318	1.91 mm thick.	
						DS 413-319	1.95 mm thick.	

124-FRONT AXLE-ARMS-SWIVELS-HUBS-COUPLING LEVERS

NUMBER	DESCRIPTION	No. OFF	NUMBER	DESCRIPTION	No. OFF	NUMBER	DESCRIPTION	No. OFF
DS 413-319	1. 99 mm thick.		D 422-95c	Oil seal on upper and lower arm (54 x 72 x 12.5) (R. VI).	4	532-S	Screw, hex. head, 9 diameter x 125 pitch, 28 mm long, securing coupling lever on swivelling flange (R. III).	8
DS 413-320	2. 03 mm thick.		D 426-92	Stud for positioning wheel (R. VI).	2	2. 317-S	Nut, hex., 14 diameter x 150 pitch, for lower securing point of link arm bracket (R. III).	2
DS 413-321	2. 07 mm thick.		DS 434-4d	Lever controlling front suspension, left-hand with greaser (splines 38 mm). Since March 1960.	1	4. 737-S	Greaser on swivel (R. VI). - for lever controlling suspension. - for lower swivelling pivot. Since June 1962.	2 2
DS 413-322	2. 11 mm thick.		DS 434-4e	Lever controlling front suspension, right-hand, with greaser (splines 38 mm). Since March 1960.	1	612.620	Oil seal upper link arm (54 x 72 x 5) (R. VI).	2
DS 413-323	2. 15 mm thick.		DS 434-4f	Lever controlling front suspension, left-hand, with greaser. March 1957 - March 1960. Replaces previous type (delete thrust plate on bracket).	1	615.752	Nut, "Nylstop" 16 diameter x 150 pitch, for pivot ball pin (R. VI). Since October 1963.	4
DS 413-324	2. 19 mm thick.		DS 434-4g	Lever controlling front suspension, right-hand with greaser. March 1957 - March 1960. Replaces previous type (delete thrust plate on bracket).	1	620.049	Bearing for lower arm (30 x 62 x 21.5) (R. VI).	2
DS 413-325	2. 23 mm thick.		D 434-71	Distance piece for suspension lever on upper arm, 32.1 x 54 x 10.25 (R. VI). Until March 1960.	2	620.050	Bearing for upper arm (35 x 72 x 24.5) (R. VI). Until March 1960.	2
DS 413-326	2. 27 mm thick.		DS 434-71	Distance piece for suspension lever on upper arm, 38 x 54 x 10.25. Since March 1960.	2	620.051	Cage with 14 taper rollers for upper and lower link arms (R. VI).	4
DS 413-327	2. 31 mm thick.		D 437-3	Rubber rebound buffer for front arm, 54.5 mm diameter, 23 mm high.	4	620.052	Outer ring for taper roller bearings on upper and lower swivel arms (19 x 72) (R. VI).	4
D 416-81	Washer, 21 x 30 x 3, for screw retaining wheel (R. VI).	2	522-S	Screw, hex. head, 14 diameter x 150 pitch, length 65 mm securing centre of link arm bracket (R. III).	4	620.115	Bearing for upper arm, 40 x 72 x 21.25 (R. VI). Since March 1960.	2
D 416-83	Cone for locking wheel on hub, threaded 18 diameter x 150 pitch (R. VI).	2				621.037	Screw, 12 diameter x 125 pitch, 89 mm long, for upper fixing of swivel arm bracket (R. II).	2
D 416-88	Screw, securing wheel, threaded 18 diameter x 150 pitch, 63 mm long (R. VI).	2						
DS 416-89	Thrust washer, 23.5 x 44 x 6.4, for screw securing wheel (R. VI).	2						
D 416-93	Spring for cone locking wheel on hub. External diameter 59 mm.	2						
D 416-94a	Dowel pin for centring swivel, 9.93 x 12.5 (1st possibility).	8						
<u>D 416-94b</u>	Dowel pin for centring swivel, 10.12 and 9.93 (2nd possibility).	8						
D 416-96	Deflector for sealing ring on front swivel, 127 x 168.	4						
DM 416-97	Ring seal on front swivel, 129 x 164 x 13, with rubber lip (R. VI). Since September 1962. Replaces earlier model.	4						
D 422-80b	Cup for sealing ring on arm.	4						

126-REAR AXLE-ARMS-HUBS



REAR AXLE-ARMS-HUBS-127

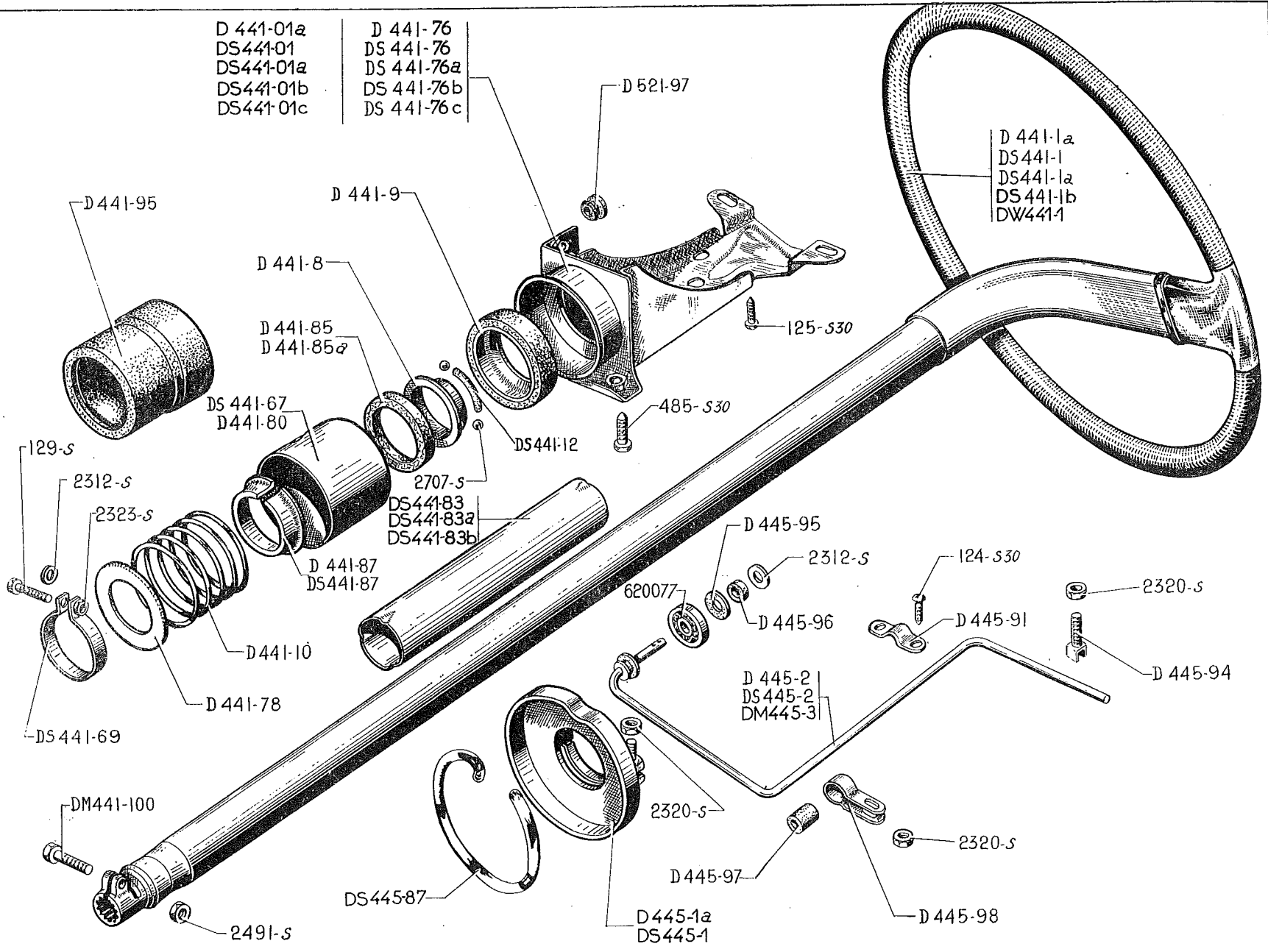
NUMBER	DESCRIPTION	No. OFF	NUMBER	DESCRIPTION	No. OFF	NUMBER	DESCRIPTION	No. OFF
D 416-81	Washer, 21 x 30 x 3, retaining wheel fixing screw (R. VI).	2	DS 422-01h	<i>Rear link arm, left-hand, complete with brake (arrangement for 17 mm diameter anti-roll bar). Suspension cylinder ball 15.875 mm diameter. Replaces type fitted from February 1958 to May 1960; order in addition: 1-DS 434-3, 1-4.108-S (R. VI). No longer supplied.</i>	1	DS 422-1f	Rear link arm, only, left-hand (arrangement for 16 mm diameter anti-roll bar). Suspension cylinder ball 15.875 mm diameter. Replaces type fitted up to February 1958; order in addition: 1-D 422-98, 1-DS 434-3, 1-4.108-S (R. VI), 1-612.623 (R. VI).	1
D 416-83	Cone, locking wheel on hub, threaded 18 diameter x 150 pitch (R. VI).	2	DS 422-01i	Rear link arm, right-hand, complete (same characteristics as DS 422-01h). Replaces type fitted from February 1958 to May 1960; order in addition: 1-DS 434-3, 1-4.108-S (R. VI).	1	DS 422-1g	Rear link arm, only, right-hand (same characteristics as DS 422-1f). Replaces type fitted up to February 1958; order in addition: 1-DS 422-98, 1-DS 434-3, 1-4.108-S (R. VI), 1-612.623 (R. VI).	1
D 416-88	Screw, securing wheel, threaded 18 diameter x 150 pitch, 63 mm long (R. VI).	2	DS 422-01r	Rear link arm, left-hand, complete with brake and swivelling bearing (2 white marks) Cabriolet.	1	D 422-2	Nut, hex., 30 diameter x 150 pitch, with cup for bearing shaft on rear arm.	2
DS 416-89	Washer, 23.5 x 44 x 6.4, for wheel securing screw (R. VI).	2	DS 422-01s	Rear link arm, right-hand, complete with brake and swivelling bearing (2 white marks) Cabriolet.	1	D 422-6	Ring nut, with 6 slots, 66 diameter x 150 pitch, securing link arm (inner side).	2
D 416-93	Spring for cone locking wheel on hub.	2	DS 422-1b	Rear link arm, only, left-hand (suspension cylinder ball 15.875 mm diameter). New position for flat anti-roll bar. Since May 1960,	1	D 422-79	Screw, round head, 9 diameter x 22 long, securing bearing housing.	6
D 422-01b	Rear link arm, left-hand, complete with brake (arrangement for 16 mm diameter anti-roll bar). Until December 1957.	1	DS 422-1c	Rear link arm, only, right-hand (same characteristics as DS 422-1b). Since May 1960.	1	D 422-80b	Cup for bearing housing sealing ring.	2
D 422-01c	Rear link arm, right-hand, complete with brake (arrangement for 16 mm diameter anti-roll bar). Until December 1957.	1	DS 422-1d	Rear link arm, left-hand (arrangement for 17 mm diameter anti-roll bar). Suspension cylinder ball 15.875 mm diameter. Replaces type fitted from February 1958 to May 1960; order in addition: 1-DS 422-98, 1-DS 434-3, 1-4.108 (R. VI), 1-612.623 (R. VI).	1	D 422-91	Rubber sealing ring, 54 x 62 x 4, for rear bearing housing.	2
DS 422-01	Rear link arm, left-hand, complete with brake (arrangement for 16 mm diameter anti-roll bar and bonded brake lining). December 1957 - February 1958.	1	DS 422-1e	Rear link arm, right-hand (same characteristics as DS 422-1d). Replaces type fitted from February 1958 to May 1960; order in addition: 1-DS 422-98, 1-DS 434-3, 1-4.108-S (R. VI), 1-612.623 (R. VI).	1	D 422-95c	Sealing ring, 54 x 72 x 12.5, for rear bearing housing (outer side) (R. VI).	2
DS 422-01a	Rear link arm, right-hand, complete with brake (arrangement for 16 mm diameter anti-roll bar and bonded brake lining). December 1957 - February 1958.	1				D 422-96	Bearing housing for link arm, rear (diameter of body 66 mm).	2
DS 422-01f	Rear link arm, left-hand, complete with brake (suspension cylinder ball 15.875 mm diameter). New position for flat anti-roll bar. Since May 1960.	1				D 422-98	Cap for rear stub axle bearing, 62 mm diameter. Until May 1960.	2
DS 422-01g	Rear link arm, right-hand, complete (same characteristics as DS 422-01f). Since May 1960.	1				DS 422-98	Cap for rear stub axle bearing, 63 mm diameter. Since May 1960.	2
						D 426-3	Nut, hex., 25 diameter x 150 pitch, securing rear stub axle.	2

I28-REAR AXLE-ARMS-HUBS

NUMBER	DESCRIPTION	No. OFF	NUMBER	DESCRIPTION	No. OFF	NUMBER	DESCRIPTION	No. OFF
D 426-5	Stub axle, rear with centring dowels.	2	D 426-321	Thickness 2.82 to 2.86		183-S	Screw, countersunk head, 5 diameter x 10 long, securing rear brake drum (R. III).	4
D 426-15	Distance piece, tapered for stub axle bearing, length 72.78 mm.	2	D 426-322	" 2.86 to 2.90				
D 426-89	Spacer ring for stub axle bearing, 40.25 x 58 x 10 (drum side).	2	D 426-323	" 2.90 to 2.94		520-S	Screw, 9 diameter x 38 long, securing clamp on rear torsion bar (R. III). Until February 1958.	8
D 426-92	Dowel for positioning wheel (R. VI).	2	D 426-324	" 2.94 to 2.98				
D 426-93a	Thrust washer for stub axle bearing 25 x 58 x 3.5 (inner side).	2	D 426-325	" 2.98 to 3.02		535-S	Screw, hex. head, 12 diameter x 55 long, securing clamp on torsion bar (R. III). Since February 1958.	8
D 426-99	Lockwasher, 25 mm diameter for nut securing rear stub axle.	2	D 426-326	" 3.02 to 3.06				
	Washer for adjusting bearing on rear stub axle, 25.1 x 31.8 (R. VI).	As nec.	D 426-327	" 3.06 to 3.10		2.370-S	Nut, hex., 9 diameter x 125 pitch (R. III) securing:- - link arm (outer side). - clamp for torsion bar. Until February 1958.	6 8
D 426-300	Thickness 1.98 to 2.02		D 426-328	" 3.10 to 3.14				
D 426-301	" 2.02 to 2.06		D 426-329	" 3.14 to 3.18		5.404-S	Nut, hex., 12 x 125, for securing clamp on torsion bar (R. VI). Since February 1958.	8
D 426-302	" 2.06 to 2.10		D 426-330	" 3.18 to 3.22				
D 426-303	" 2.10 to 2.14		D 426-331	" 3.22 to 3.26		431.442	Clamp on torsion bar, hole centres 29 and 42 (R. II). Since February 1958.	4
D 426-304	" 2.14 to 2.18		D 426-332	" 3.26 to 3.30				
D 426-305	" 2.18 to 2.22		D 426-333	" 3.30 to 3.34		612.621	Oil seal, 58 x 80 x 5, on rear stub axle (R. VI). Until May 1960.	2
D 426-306	" 2.22 to 2.26		D 426-334	" 3.34 to 3.38				
D 426-307	" 2.26 to 2.30		D 426-335	" 3.38 to 3.42		612.623	Oil seal, 58 x 81.2 x 5, on rear stub axle (R. VI). Since May 1960.	2
D 426-308	" 2.30 to 2.34		D 426-336	" 3.42 to 3.46				
D 426-309	" 2.34 to 2.38		D 426-337	" 3.46 to 3.50		620.051	Cage with 14 taper roller bearings on link arm (outer side) (R. VI).	2
D 426-310	" 2.38 to 2.42		D 426-338	" 3.50 to 3.54				
D 426-311	" 2.42 to 2.46		D 426-339	" 3.54 to 3.58		620.053	Taper roller bearing (without outer ring) internal diameter 30 mm on link arm (inner side) (R. VI).	2
D 426-312	" 2.46 to 2.50		D 426-340	" 3.58 to 3.62				
D 426-313	" 2.50 to 2.54		D 426-341	" 3.62 to 3.66		620.070	Thrust bearing on rear stub axle (inner side) (25 x 62 x 17) (R. II).	2
D 426-314	" 2.54 to 2.58		D 426-342	" 3.66 to 3.70				
D 426-315	" 2.58 to 2.62		D 435-11	Torsion anti-roll bar, rear, 16 mm diameter x 481 mm long. Until February 1958.	1	620.079	Thrust bearing on rear stub axle (drum side) (40 x 80 x 18) (R. II).	2
D 426-316	" 2.62 to 2.66		DS 435-11	Torsion anti-roll bar, 17 mm diameter. Since February 1958.	1			
D 426-317	" 2.66 to 2.70		D 435-99	Clamp for rear torsion bar, 22 and 33 between centres. Until February 1958.	4			
D 426-318	" 2.70 to 2.74		D 437-1	Rebound buffer (rubber), 48.5 mm diameter, height 35 mm.	4			
D 426-319	" 2.74 to 2.78		D 451-5a	Brake drum, rear, internal diameter 255 mm. Until December 1957.	2			
D 426-320	" 2.78 to 2.82		DS 451-5	Brake drum, rear, two external webs. Since December 1957.	2			

130-STEERING-STEERING WHEEL-BRACKET-CENTRING DEVICE

- | | |
|-----------|------------|
| D 441-01a | D 441-76 |
| DS441-01 | DS 441-76 |
| DS441-01a | DS 441-76a |
| DS441-01b | DS 441-76b |
| DS441-01c | DS 441-76c |



STEERING-STEERING WHEEL-BRACKET-CENTRING DEVICE-131

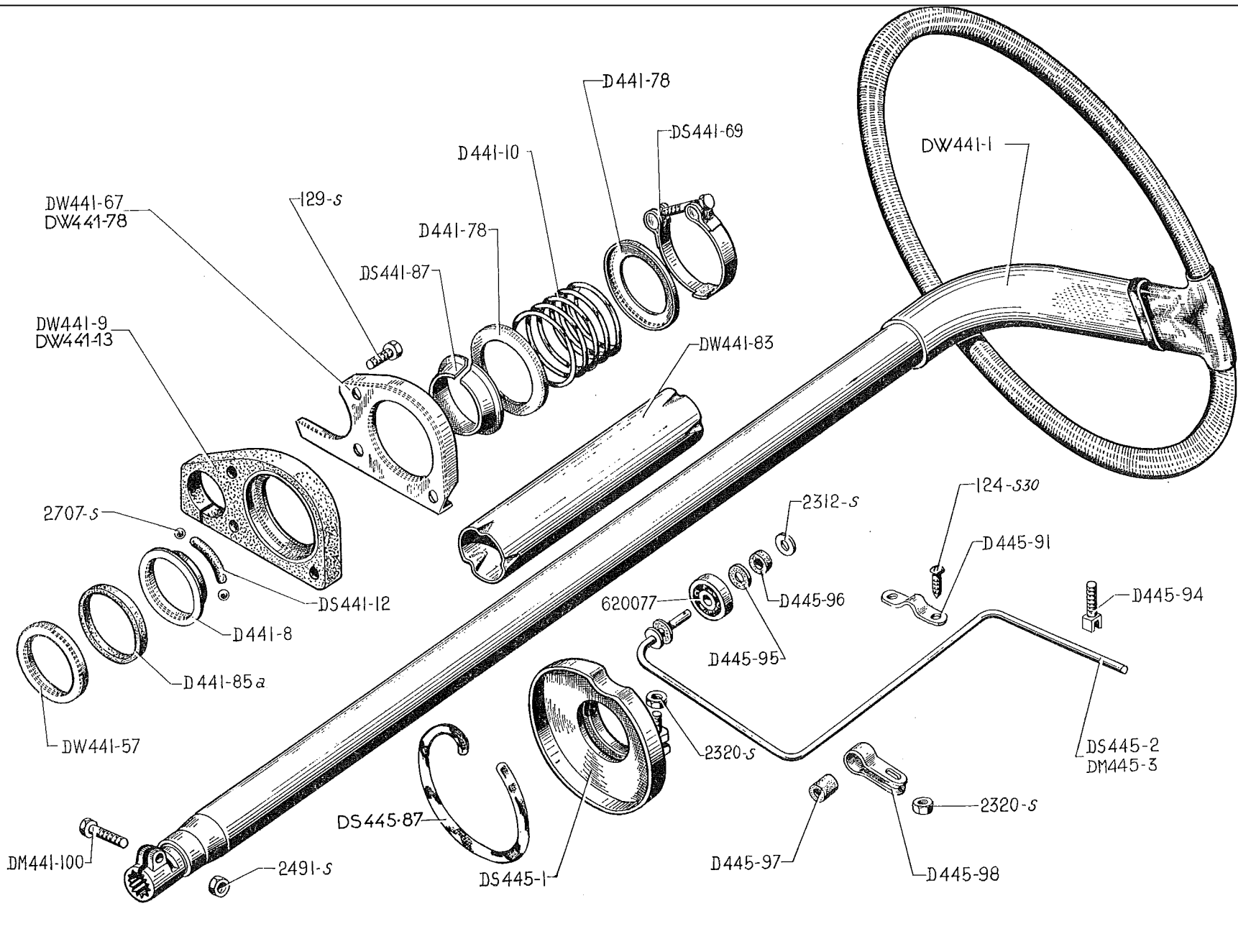
NUMBER	DESCRIPTION	No. OFF	NUMBER	DESCRIPTION	No. OFF	NUMBER	DESCRIPTION	No. OFF
D 441-01a	Bracket complete with ball bearing and outer race for bearing 50 mm wide. Until July 1961.	1	D 441-9	Outer race of ball bearing in steering bracket, 45 x 66.	1	DS 441-76c	Bracket only, for steering column. R.H. steering.	1
DS 441-01	Bracket complete with ball bearing, 2 slots 6 x 10. July 1961 to December 1962.	1	D 441-10	Spring, retaining split bush for bearing in steering column bracket, internal diameter 41 mm.	1	D 441-78	Thrust ring for spring in steering column bracket, 40.5 x 49. Until May 1958. Since May 1958.	2 3
DS 441-01a	Bracket complete with ball bearing (German anti-theft arrangement). January 1961 - December 1962.	1	DS 441-12	Nylon spacing segment for ball in steering column bracket, 5,5 mm diameter (R. VI). Since December 1956.	3	D 441-80	<i>Positioning sleeve for bearing and sealing ring in steering column bracket, 48 x 66 x 18.5. Replaced by DS 441-67; order in addition: 1-D 441-85a.</i>	1
DS 441-01b	Bracket complete for steering with ball bearing and bearing stop bush. Since December 1962. L.H. steering.	1	<u>DS 441-66</u>	Screw, 5 x 22, for adjusting collar for spring on steering column support (R. VI).	1	DS 441-83	Distance piece between collar and retaining spring on steering column, 310 mm long. May 1958 - September 1962.	1
DS 441-01c	Bracket complete for steering with ball bearing and bearing stop bush. R.H. steering.	1	DS 441-67	Positioning sleeve for bearing and sealing ring in steering column bracket, 48 x 66 x 50. Since March 1957.	1	DS 441-83a	Distance piece between collar and retaining spring on steering column, 330 mm long. Since September 1962.	1
D 441-1a	Steering wheel and column. (Ivory). Until September 1959.	1	DS 441-69	Clip for adjusting spring in steering column bracket, internal diameter 40 mm.	1	DS 441-83b	Distance piece between collar and retaining spring on steering column, 350 mm long. R.H. steering.	1
DS 441-1	Steering wheel and column. Black. September 1959 - July 1961.	1	<u>DS 441-70a</u>	Binding for covering rim of steering wheel (ivory), 12.5 mm wide (sold by the metre) (8 m per wheel) (R. VI).	As nec.	D 441-85	<i>Felt sealing washer for steering column bracket ball bearing, 49.5 x 55.5 x 4. Replaced by D 441-85a; order in addition: 1-DS 441-67.</i>	1
DS 441-1a	Steering wheel (black sheath on column). Cabriolet. Until July 1961.	1	<u>DS 441-70b</u>	Binding for covering rim of steering wheel (black), 12.5 mm wide (sold by the metre) (8 m per wheel) (R. VI).	As nec.	D 441-85a	Felt sealing washer for steering column bracket ball bearing, 47.5 x 55.5 x 7.	1
DS 441-1b	Steering wheel and column (black sheath on column). Cabriolet. Since July 1961.	1	D 441-76	Bracket only, for steering column. Until July 1961.	1	D 441-87	<i>Split bush, sheet metal, on steering column, 39 x 48. Until May 1957. Replaced by DS 441-87; order in addition: 1-DS 441-67.</i>	1
DW 441-1	Steering wheel and column. Black. Since July 1961.	1	DS 441-76	Bracket only, for steering column. 2 slots 6 x 10. July 1961 to December 1962.	1	DS 441-87	Split bush, sheet metal, on steering column, 39.8 x 48. Since May 1957.	1
D 441-8	Inner race of ball bearing in steering bracket, 43.6 x 55 x 11.	1	DS 441-76a	Bracket only, for steering column (German anti-theft arrangement). January 1962 - December 1962.	1	D 441-95	Sealing sleeve for steering column bracket, 73 mm long.	1
			DS 441-76b	Bracket only, for steering column. L.H. steering. Since December 1962.	1			

The numbers underlined indicate new parts which do not appear on the illustration.

132-STEERING-STEERING WHEEL-BRACKET-CENTRING DEVICE

NUMBER	DESCRIPTION	No. OFF	NUMBER	DESCRIPTION	No. OFF	NUMBER	DESCRIPTION	No. OFF
DM 441-100	Screw, hex. head, 7 diameter x 35 long, for locking clamp on steering column.	1	D 445-95	Washer, (nylon or Rilsan), for ball bearing on steering centring spring, 5 x 17 x 0.5 thick (R. VI).	2	485-S 30	Screw, hex. head, pointed, 7 diameter x 20 long, securing steering column bracket (R. III).	2
D 445-1a	Positioning cam for centring steering. Until July 1960.	1	D 445-96	Washer, rubber, for ball bearing on centring spring, 5 x 10 x 2.	1	2.312-S	Washer, plain, 5.5 x 12 (R. III): - for ball bearing on centring device. - for clip securing spring.	2
DS 445-1	Positioning cam for centring steering. Since July 1960.	1	D 445-97	Rubber bush on steering centring spring, 5 x 12 x 16.	1	2.320-S	Nut, hex., 5 diameter x 75 long (R. III): - for screw adjusting tension of locating spring. - for clip for rubber bush on centring spring. - for position cam for centring steering.	1
D 445-2	Spring for locating centring position, wire diameter 5 mm. Until July 1960.	1	D 445-98	Clip for rubber bush on centring spring, width 12 mm.	1	2.323-S	Nut, hex., 5 diameter x 75 pitch, for clip adjusting spring in steering column bracket (R. III). Until March 1964.	1
DS 445-2	Spring for locating centring position, Since July 1960. L.H. steering.	1	D 521-97	Rubber washer, 6 x 20 x 11, for centring instrument board.	2	2.491-S	Nut, hex., 7 diameter x 100 pitch, for locking clamp on steering column (R. III).	1
DM 445-3	Spring for locating centring position, 5 mm diameter wire. R.H. steering.	1	124-S 30	Screw, round head, 5 diameter x 12.5 long, securing clip for steering centring spring (R. III).	2	2.707-S	Ball, 6 mm diameter for bearing in steering column bracket (R. VI). - Until December 1956. - Since December 1956;	3 9
DS 445-87	Circlip on steering column. Diameter 40 mm. R.H. steering.	1	125-S 30	Screw, round head, pointed, 5 x 15, securing bracket for steering column (R. III).	1	620.077	Ball bearing for steering centring spring, 5 x 19 x 6 (R. VI).	1
D 445-91	Clip securing spring locating centring position, width 10 mm, hole centres 22 mm.	1	129-S	<i>Screw, round head, 5 diameter x 25 long, securing clip for spring adjustment in steering column bracket (R. III). Replaced by DS 441-66.</i>	1			
D 445-94	Screw, square slotted head, 5 diameter x 22 long, for adjusting tension of locating spring locating centring position.	1						

134-STEERING-STEERING WHEEL-BRACKET-CENTRING DEVICE (MECHANICAL CONTROL)



STEERING-STEERING WHEEL-BRACKET-CENTRING DEVICE (MECHANICAL CONTROL)-135

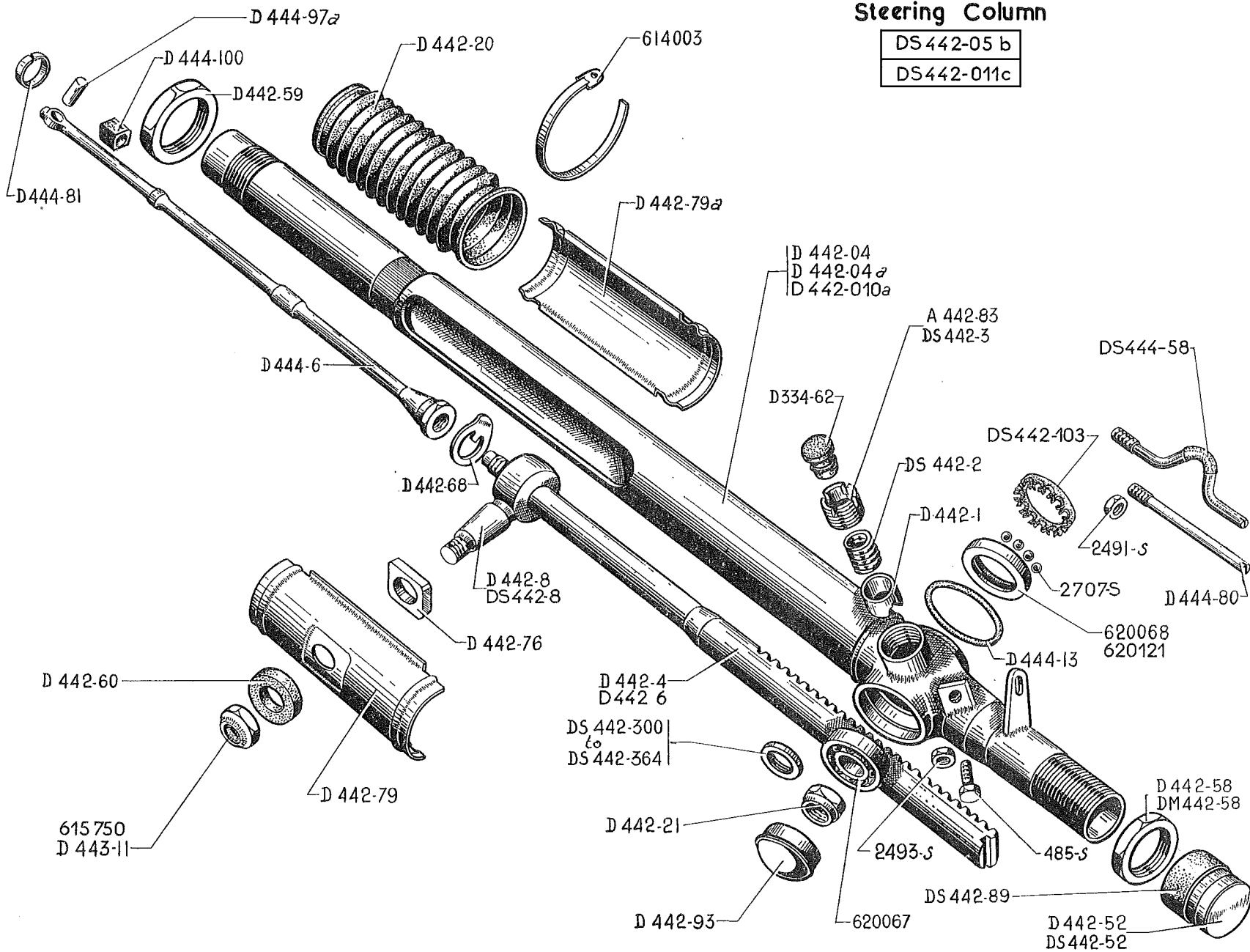
NUMBER	DESCRIPTION	No. OFF	NUMBER	DESCRIPTION	No. OFF	NUMBER	DESCRIPTION	No. OFF
DW 441-1	Steering wheel and steering column, black.	1	D 441-78	Thrust washer for spring in steering column bracket, 40.5 x 49.	2	D 445-95	Washer for ball bearing on steering centring device, 5 x 17 x 0.5 (R. VI).	2
D 441-8	Inner race of ball bearing in steering bracket.	1	DW 441-78	Locking plate for bearing sleeve of steering bracket. R.H. steering.	1	D 445-96	Washer, rubber, for ball bearing on steering centring device, 5 x 10 x 2.	1
DW 441-9	External race of ball bearing in steering column bracket. L.H. steering.	1	DW 441-83	Distance piece between collar and retaining spring on steering column, 410 mm long.	1	D 445-97	Bush, rubber, on steering centring device, 5 x 12 x 16.	1
D 441-10	Spring, retaining split bush for bearing in steering column bracket, internal diameter 41 mm.	1	D 441-85a	Felt sealing washer for ball bearing in steering column bracket, 47.5 x 55.5 x 7.	1	D 445-98	Clip for rubber bush on centring device, 12 mm wide.	1
DS 441-12	Nylon spacing segment for balls in steering column bracket, 5.5 mm diameter (R. VI).	3	DS 441-87	Split bush, sheet metal, on steering column (39.8 x 48).	1	124-S 30	Screw, round head, 5 x 12.5, for securing the clip on the centring device (R. III).	2
DW 441-13	External race of ball bearing in steering column bracket. R.H. steering.	1	DM 441-100	Screw, hex. head, 7 x 35, for locking clamp on steering column.	1	129-S	Screw, round head, 5 x 25, for securing stop plate on bearing (R. III).	3
DW 441-57	Cup for ball bearing felt in steering column bracket. External diameter 56.8 mm x 4 mm thick.	1	DS 445-1	Positioning cam for centring the steering.	1	2.312-S	Washer, plain, 5.5 x 12, for bearing on steering centring device (R. III).	2
<u>DS 441-66</u>	Screw, 5 x 22, for adjusting collar for spring in steering column bracket (R. VI).	1	DS 445-2	Spring for locating centring position L.H. steering.	1	2.320-S	Nut, hex., 5 x 75 (R. III): - for positioning bush bracket. - for positioning cam.	1 1
DW 441-67	Locking plate for bearing sleeve of steering bracket. L.H. steering.	1	DM 445-3	Spring for locating centring position diameter of wire 5 mm (R. VI). R.H. steering.	1	2.491-S	Nut, hex., 7 x 100, for locking clamp on steering column.	1
DS 441-69	Clip for adjusting spring in steering column bracket. Internal diameter 40 mm.	1	DS 445-87	Circlip on steering column, diameter 40 mm. R.H. steering.	1	2.707-S	Ball, 6 mm diameter, for bearing in steering bracket (R. VI).	9
<u>DS 441-70b</u>	Covering for steering wheel (black) 12.5 mm wide (sold by the metre) (8 m per wheel) (R. VI).	As nec.	D 445-91	Clip securing spring locating centring device.	1	620.077	Ball bearing for positioning device, 5 x 19 x 6 (R. VI).	1
			D 445-94	Screw, square slotted head, 5 x 22, for adjusting tension on locating spring in centring device.	1			

The numbers underlined indicate new parts which do not appear on the illustration.

Catalogue No. 466 - July 1964.

Steering Column

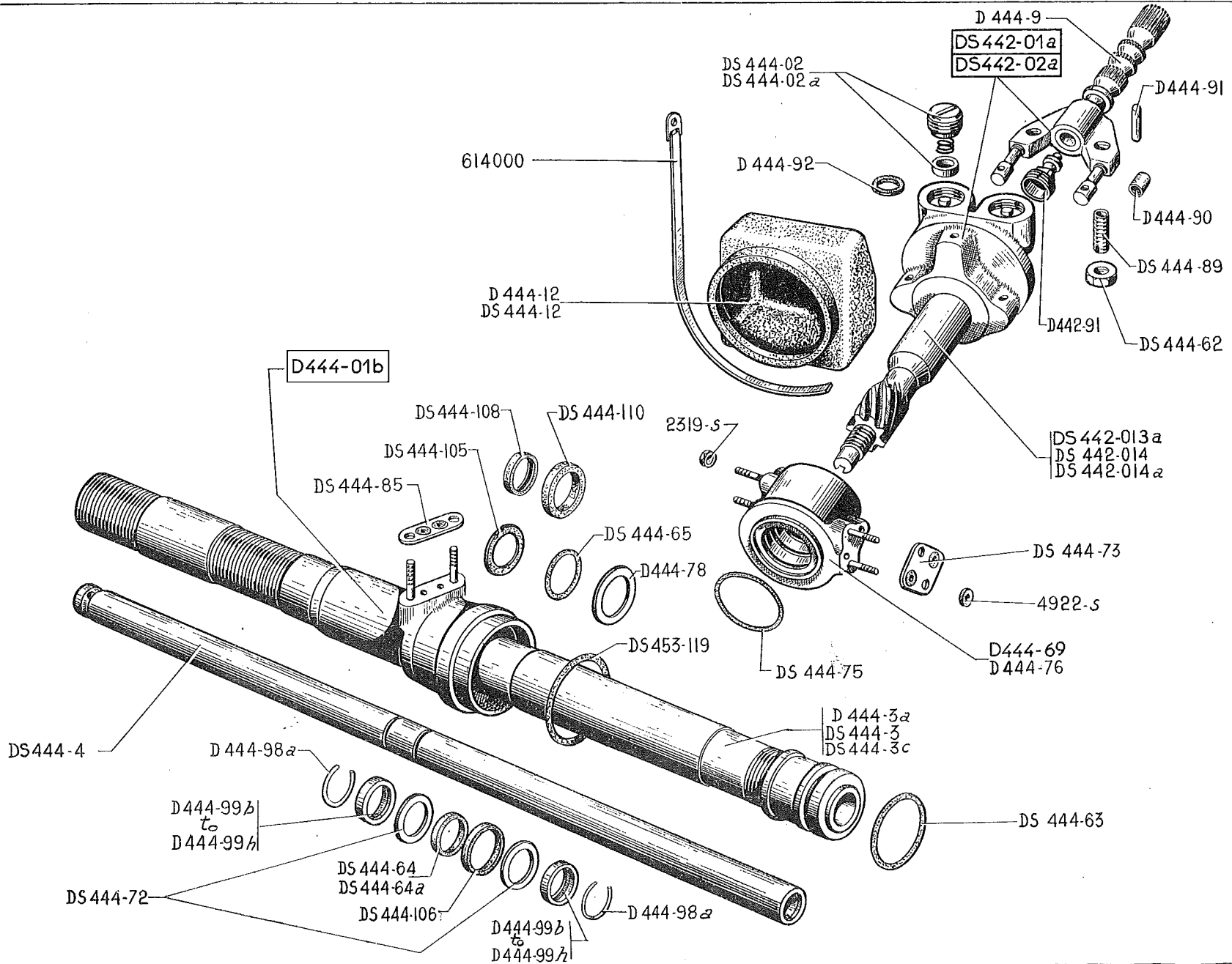
DS 442-05 b
DS 442-011c



136 STEERING (MECHANICAL PARTS)

NUMBER	DESCRIPTION	No. OFF	NUMBER	DESCRIPTION	No. OFF	NUMBER	DESCRIPTION	No. OFF
A 442-83	Steering rack plunger guide nut, external thread 24 diameter x 150 pitch. Until May 1957.	1	D 442-8	<i>Pivot ball pin on rack, threaded 12 diameter x 150 pitch. Until October 1963. Replaced by DS 442-8; order in addition: 1-615.750 (R. VI).</i>	1	D 442-79a	Lower slide on rack housing, 145 mm long.	1
D 334-62	Rubber, dust seal for steering rack plunger guide nut. Since May 1957.	1	DS 442-8	Pivot ball pin on rack. Threaded 12 diameter x 150 pitch, without hole for pin. Since October 1963.	1	DS 442-89	Rubber ring for protection of adjustable thrust cap for rack. Until July 1956.	1
D 442-04	Rack housing, 822 mm long (with fixed stop for steering lock). Until May 1956.	1	D 442-20	Sealing sheath for rack, internal diameter 40 mm.	2	D 442-93	Cap, sheet metal, on rack housing, 34.05 mm diameter.	1
D 422-04a	Rack housing, 822 mm long (without fixed stop for steering lock). L.H. steering. Since May 1956.	1	D 442-21	Nut, hex., 12 diameter x 125 pitch, for rack pinion (R. VI).	1	DS 442-103	Cage for ball bearings in nylon on outer bush of upper rack pinion bearing (R. VI). Since September 1963.	1
DS 422-05b	Steering assembly complete. L.H. steering.	1	D 442-52	Thrust cap, adjustable for rack, threaded 30 diameter x 100 pitch. Until July 1956. Since July 1956.	1		Washer for adjustment of rack pinion bearing, 12 x 18. Since May 1959.	As nec.
D 422-010a	Rack housing, 822 mm long (without fixed stop for steering lock), R.H. steering.	1	DS 442-52	Thrust cap, adjustable, for rack threaded 30 diameter x 100 pitch, with vent hole (rack operation end). Until July 1956.	2	DS 442-300	3.35 to 3.37 mm thick.	
DS 442-011c	Steering assembly complete. R.H. steering.	1	D 442-58	Nut, hex., 30 diameter x 100 pitch, locking adjustable thrust cap. Since November 1961.	1	DS 442-301	3.37 to 3.39 mm thick.	
D 442-1	Plunger guide for rack, 22 mm diameter.	1	DM 442-58	<i>Nut, hex., 30 diameter x 100 pitch, locking adjustable thrust cap. Until November 1961. Replaced by D 442-58.</i>	1	DS 442-302	3.39 to 3.41 mm thick.	
DS 442-2	Spring for plunger guide for rack, external diameter 16.5 mm.	1	D 442-59	Locknut, 40 diameter x 100 pitch, on end of steering housing.	1	DS 442-303	3.41 to 3.43 mm thick.	
DS 442-3	Nut for plunger guide for rack, external thread 24 diameter x 150 pitch, internal thread 9 diameter x 125 pitch. Since May 1957.	1	D 442-60	Rubber sealing ring on rack ball pin, 16.5 x 28.5 x 9.	1	DS 442-304	3.43 to 3.45 mm thick.	
D 442-4	Steering rack 435 mm long, threaded 14 diameter x 150 pitch. L.H. steering.	1	D 442-68	Lockwasher, 14.2 locking rack control rod (R. VI).	1	DS 442-305	3.45 to 3.47 mm thick.	
D 442-6	Steering rack, 435 mm long, threaded 14 x 150. R.H. steering.	1	D 442-76	Guide block for rack, 16.5 x 23 x 28 x 5.	1	DS 442-306	3.47 to 3.49 mm thick.	
			D 442-79	Upper slide on rack housing, 145 mm long, 1 hole 18 mm diameter.	1	DS 442-307	3.49 to 3.51 mm thick.	
						DS 442-308	3.51 to 3.53 mm thick.	
						DS 442-309	3.53 to 3.55 mm thick.	
						DS 442-310	3.55 to 3.57 mm thick.	
						DS 442-311	3.57 to 3.59 mm thick.	
						DS 442-312	3.59 to 3.61 mm thick.	
						DS 442-313	3.61 to 3.63 mm thick.	
						DS 442-314	3.63 to 3.65 mm thick.	
						DS 442-315	3.65 to 3.67 mm thick.	
						DS 442-316	3.67 to 3.69 mm thick.	
						DS 442-317	3.69 to 3.71 mm thick.	
						DS 442-318	3.71 to 3.73 mm thick.	
						DS 442-319	3.73 to 3.75 mm thick.	
						DS 442-320	3.75 to 3.77 mm thick.	
						DS 442-321	3.77 to 3.79 mm thick.	
						DS 442-322	3.79 to 3.81 mm thick.	
						DS 442-323	3.81 to 3.83 mm thick.	
						DS 442-324	3.83 to 3.85 mm thick.	
						DS 442-325	3.85 to 3.87 mm thick.	
						DS 442-326	3.87 to 3.89 mm thick.	
						DS 442-327	3.89 to 3.91 mm thick.	
						DS 442-328	3.91 to 3.93 mm thick.	
						DS 442-329	3.93 to 3.95 mm thick.	
						DS 442-330	3.95 to 3.97 mm thick.	
						DS 442-331	3.97 to 3.99 mm thick.	
						DS 442-332	3.99 to 4.01 mm thick.	

NUMBER	DESCRIPTION	No. OFF	NUMBER	DESCRIPTION	No. OFF	NUMBER	DESCRIPTION	No. OFF
DS 442-333	4.01 to 4.03 mm thick.		D 444-13	Sealing joint, rubber, between rotating union and rack casing, 37 x 47.6 x 5.3.	1	2.493-S	Nut, hex., 7 diameter x 100 pitch, for screw for stop on steering lever (R. III). Until May 1956.	1
DS 442-334	4.03 to 4.05 mm thick.							
DS 442-335	4.05 to 4.07 mm thick.		DS 444-58	Stop rod, with rotating union, 7 x 100, 103 mm long. R.H. steering.	1	2.707-S	Ball, 6 mm diameter for upper ball bearing on rack pinion (R. VI). Until September 1963. Since September 1963.	13
DS 442-336	4.07 to 4.09 mm thick.							10
DS 442-337	4.09 to 4.11 mm thick.		D 444-80	Rod securing rotating union, threaded 7 diameter x 100 pitch, length 105.5 mm. L.H. steering.	1	614.003	Clip for securing gaiter on rack, length 335 mm (R. VI).	4
DS 442-338	4.11 to 4.13 mm thick.							
DS 442-339	4.13 to 4.15 mm thick.		D 444-81	Split ring locking connecting pin for rod controlling rack and piston, internal diameter 19.5 mm.	1	615.750	Nut, "Nylstop", 12 diameter x 150 pitch, height 9.3 mm for rack ball pin (R. VI). Since October 1963.	1
DS 442-340	4.15 to 4.17 mm thick.							
DS 442-341	4.17 to 4.19 mm thick.		D 444-97a	Connecting pin for rod controlling rack and piston, 6 x 19.5.	1	620.067	Ball bearing, lower for rack pinion, 12 x 32 x 10 (R. VI).	1
DS 442-342	4.19 to 4.21 mm thick.		D 444-100	Bush, rubber, anti-rattle on rack control rod, length 15 mm. Since May 1956.	1	620.068	<i>Outer race for upper ball bearing on rack pinion, 27.4 x 35 x 7.5 (R. II). Until September 1963. Replaced by 620.121; order in addition: 1-DS 442.103 (R. VI).</i>	1
DS 442-343	4.21 to 4.23 mm thick.							
DS 442-344	4.23 to 4.25 mm thick.		485-S	Screw, hex. head, 7 diameter x 20 long, for stop on steering lever (R. III). Until May 1956.	1	620.121	Bush, outer for upper rack pinion bearing, 29 x 35 x 7.5 (R. II). Since September 1963.	1
DS 442-345	4.25 to 4.27 mm thick.		2.491-S	Nut, hex., 7 diameter x 100 pitch, on rod securing rotating union (R. III).	1			
DS 442-346	4.27 to 4.29 mm thick.							
DS 442-347	4.29 to 4.31 mm thick.							
DS 442-348	4.31 to 4.33 mm thick.							
DS 442-349	4.33 to 4.35 mm thick.							
DS 442-350	4.35 to 4.37 mm thick.							
DS 442-351	4.37 to 4.39 mm thick.							
DS 442-352	4.39 to 4.41 mm thick.							
DS 442-353	4.41 to 4.43 mm thick.							
DS 442-354	4.43 to 4.45 mm thick.							
DS 442-355	4.45 to 4.47 mm thick.							
DS 442-356	4.47 to 4.49 mm thick.							
DS 442-357	4.49 to 4.51 mm thick.							
DS 442-358	4.51 to 4.53 mm thick.							
DS 442-359	4.53 to 4.55 mm thick.							
DS 442-360	4.55 to 4.57 mm thick.							
DS 442-361	4.57 to 4.59 mm thick.							
DS 442-362	4.59 to 4.61 mm thick.							
DS 442-363	4.61 to 4.63 mm thick.							
DS 442-364	4.63 to 4.65 mm thick.							
D 443-11	Nut, hex., castellated, 12 diameter x 150 pitch, for rack ball pin. Until October 1963.	1						
D 444-6	Rod controlling rack, threaded 14 diameter x 150 pitch, length 460 mm.	1						



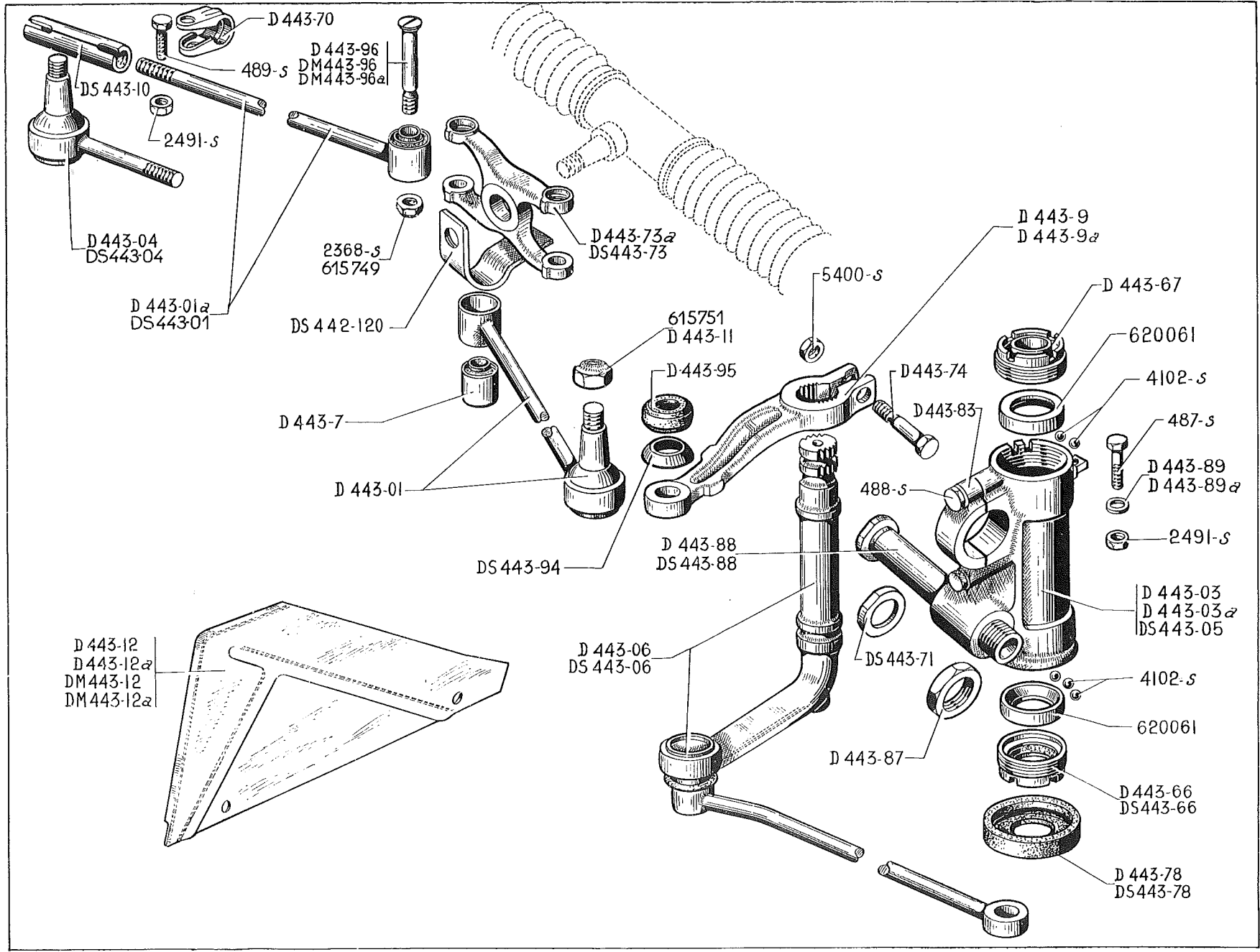
I40-STEERING (HYDRAULIC PARTS)

NUMBER	DESCRIPTION	No. OFF	NUMBER	DESCRIPTION	No. OFF	NUMBER	DESCRIPTION	No. OFF
DS 442-01a	Pinion controlling rack complete with rotating union and coupling fork. L.H. steering.	1	DS 444-4	Rod controlling rack piston.	1	DS 444-73	Seal plate for piping on rotating union, 2 holes 7.6, 2 fixing holes 16 mm between centres (R. VI).	2
DS 442-02a	Pinion controlling rack complete with rotating union and coupling fork. R.H. steering.	1	D 444-9	Coupling fork for rack pinion.	1	DS 444-75	Ring seal for rotating union, 24.5 x 29.9 x 2.7 (R. VI).	5
DS 442-013a	Pinion for rack with valves and dash-pot DS 442-02a. R.H. steering.	1	D 444-12	Cover, rubber, protecting steering pinion. Until April 1959.	1	D 444-76	Rotating union only. L.H. steering.	1
DS 442-014	<i>Pinion for rack, with valves and dash-pots. Until April 1959. Replaced by DS 442-014a; order in addition: 1-DS 444-12.</i>	1	DS 444-12	Cover, rubber, protecting steering pinion. Since April 1959.	1	D 444-78	Sealing washer, 22 x 29.5 x 1, for rack control (R. VI). Until December 1963.	1
DS 442-014a	Pinion for rack, with valves and dash-pot DS 444-02a. Since April 1959.	1	DS 444-62	Nut, hex., 7 diameter x 100 pitch, with shoulder for adjusting screw for rotating union slide valve.	2	DS 444-85	Seal plate for joints of piping on end casing, 2 holes 7.6, 2 fixing holes 30 mm between centres (R. VI).	1
D 442-91	Spherical end piece for rack pinion, threaded 20 x 125.	1	DS 444-63	Ring seal, 27.7 x 33.1 x 2.7 for rack control (R. VI). Until December 1963. Since December 1963.	1 2	DS 444-89	Screw, 7 diameter x 100 pitch, for adjusting rotating union slide valve, 18.5 mm long.	2
D 444-01b	Control for rack complete with casing end piece, cylinder and piston, threaded 30 diameter x 100 pitch on 31 mm.	1	DS 444-64	<i>Ring seal, 21.15 x 26 x 2.45, for piston rod. Until February 1958. Replaced by DS 444-64a; order in addition: 1-DS 444-106 (R. VI).</i>	1	D 444-90	Rubber bush for rotating union, 8.8 x 11.5 x 9.	2
DS 444-02	Cap for dash-pot with spring and thrust washer for valve, 13.5 mm long. Until April 1959.	2	DS 444-64a	Joint, rubber, 20.1 x 24.2 x 2.2, for piston rod controlling rack. Since February 1958.	1	D 444-91	Needle, 2.5 x 14.75, operating steering slide valve (R. VI).	2
DS 444-02a	Cap for dash-pot with spring and thrust washer for valve, length 18.5 mm. Since April 1959.	2	DS 444-65	Ring seal, 21.3 x 28.5 x 3.6, for piston rod. Until March 1962.	2	D 444-92	Sealing ring between plug and cylinder of rotating union, 22 x 3.5.	2
D 444-3a	<i>Cylinder controlling rack with end piece. Until May 1958. Replaced by DS 444-3; order in addition: 2-DS 444-105.</i>	1	DS 444-69	Rotating union only. R.H. steering.	1	D 444-98a	Circlip, retaining piston joint washers, 1 mm diameter wire.	2
DS 444-3	Cylinder controlling rack with end piece. May 1958 - December 1963.	1	DS 444-72	Washer, Rilsan, for piston controlling rack, 21 x 25.3 x 1. Since October 1959. Replaces steel washer.	2		Shouldered washer, retaining piston joint, 21 x 22.05 x 24.8: On diameter: 21.	As nec.
DS 444-3c	Cylinder controlling rack with end piece. Since December 1963.	1				D 444-99b	1.30 to 1.38 mm thick.	
						D 444-99c	1.38 to 1.46 mm thick.	
						D 444-99d	1.46 to 1.54 mm thick.	
						D 444-99e	1.54 to 1.62 mm thick.	
						D 444-99f	1.62 to 1.70 mm thick.	
						D 444-99g	1.70 to 1.78 mm thick.	
						D 444-99h	1.78 to 1.86 mm thick.	

STEERING (HYDRAULIC PARTS)-143

NUMBER	DESCRIPTION	No. OFF	NUMBER	DESCRIPTION	No. OFF	NUMBER	DESCRIPTION	No. OFF
DS 444-105	Washer, Rilsan, 21 x 27.3 x 0.3, for rack control. Since May 1958. No longer supplied.	2	DS 444-110	Joint, rubber, for piston rod, 22 x 27.65 x 4 (R. VI). Since March 1962.	2	4.922-S	Ring seal, 4.2 x 8 x 1.9, for seal plate (R. VI). Since October 1956: - for seal plate DS 444-73. - for seal plate DS 444-85.	4 2
DS 444-106	Joint, Teflon, 24.2 x 25.7 x 2.3, for piston rod controlling rack (R. VI). Since February 1958.	1	DS 453-119	Ring seal, 37 x 44 x 3.5, for rack control.	1	614.000	Clip securing rubber protective cover for steering pinion, 474 mm long (R. VI).	1
DS 444-108	Joint, Teflon, for piston rod, 20.6 x 22 x 4.4 (R. VI). Since March 1962.	2	2.319-S	Nut, hex., 5 diameter x 75 pitch, securing piping on rotating union (R. III).	4			

STEERING-RELAY HOUSING-STEERING RODS-LEVERS-145



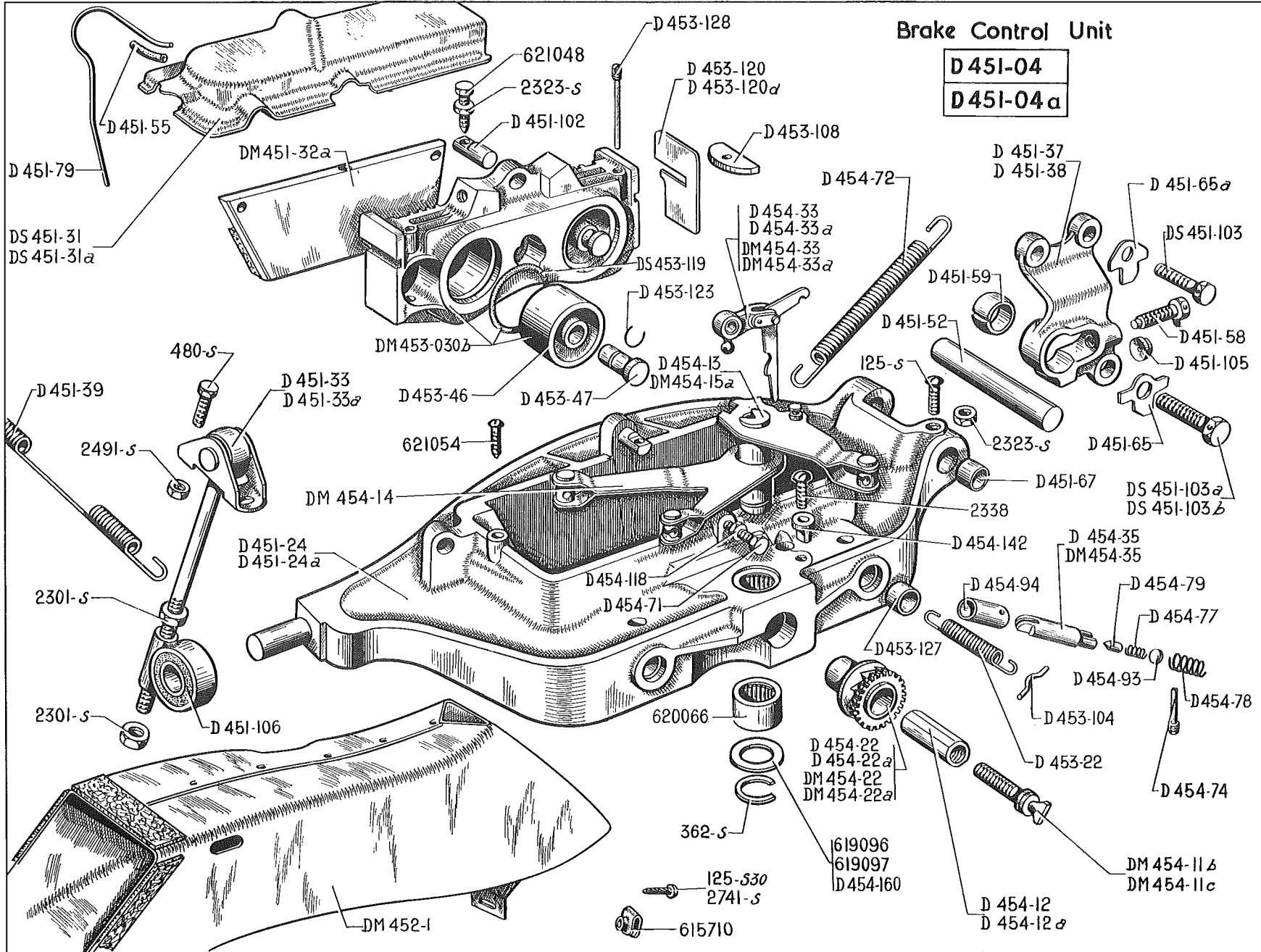
144-STEERING-RELAY HOUSINGS-STEERING RODS-LEVERS

NUMBER	DESCRIPTION	No. OFF	NUMBER	DESCRIPTION	No. OFF	NUMBER	DESCRIPTION	No. OFF
DS 442-120	Spring retaining rack ball pin, 1.7 mm thick.	1	DS 443-05	Relay housing with cap and bushing. Shoulder 53 mm diameter.	2	DM 443-12a	Shield, right-hand, protecting relay housing. Since May 1958.	1
D 443-01	<i>Steering rod, left-hand, with flexible bush and ball pin, 402 mm between centres. Until October 1963. Replaced by DS 443-01; order in addition: 1-615.751 (R. VI).</i>	1	D 443-06	<i>Lever, lower, for relay complete with coupling rod. Until January 1961. Replaced by DS 443-06a for left side or DS 443-06b for right side.</i>	2	D 443-66	Nut, hex., 45 diameter x 150 pitch, for bottom of relay housing with sealing washer, internal diameter 31 mm. Until January 1961.	2
D 443-01a	Steering rod, right-hand, with flexible bush, length from the end to pin centre: 305 mm.	1	DS 443-06	<i>Lever, lower, for relay with coupling rod. January 1961 - February 1964. Replaced by DS 443-06a for left side or DS 443-06b for right side.</i>	2	DS 443-66	Nut, 45 diameter x 150 pitch, for bottom of relay housing. Since January 1961.	2
DS 443-01	Steering rod, left-hand, with flexible bush and ball pin without pin hole. 402 mm between centres. Since October 1963.	1	<u>DS 443-06a</u>	Lever, lower, for relay left-hand with greaser and tie-rod. Since February 1964.	1	D 443-67	Nut, 45 diameter x 150 pitch, for top of relay housing with sealing washer, internal diameter 25.5 mm.	2
D 443-03	<i>Relay housing, left-hand, complete with upper and lower levers and tie-rod. Until February 1964. Replaced by DS 443-03.</i>	1	<u>DS 443-06b</u>	Lever, lower, for relay right-hand with greaser and tie-rod. Since February 1964.	1	D 443-70	Clamp securing adjustment sleeve on right-hand steering rod, internal diameter 17.7 mm.	2
<u>DS 443-03</u>	Relay housing, left-hand, complete with levers (lower lever with greaser) and tie-rod. Since February 1964.	1	D 443-7	Flexible bush in steering rod, 10 x 22 x 33 (R. VI).	2	DS 443-71	Washer, 22 x 43 x 6, locking spindle securing relay housing. Since May 1958.	2
D 443-03a	<i>Relay housing, right-hand, complete with upper and lower levers and tie-rod. Until February 1964. Replaced by DS 443-03a.</i>	1	D 443-9	Lever, upper, left-hand, for relay, 130 mm between centres.	1	D 443-73a	<i>Shackle for connecting steering rods, distance between centres 60 mm, thickness 16 mm. Until October 1959. Replaced by DS 443-73; order in addition: 2-DM 443-96a, 2-615.749 (R. VI).</i>	1
<u>DS 443-03a</u>	Relay housing, right-hand, complete with levers (lower lever with greaser) and tie-rod. Since February 1964.	1	D 443-9a	Lever, upper, right-hand, for relay, 130 mm between centres.	1	DS 443-73	Shackle for connecting steering rods, 17 mm thick. Since October 1959.	1
D 443-04	<i>End piece with ball pin, right side of steering rod, threaded 14 x 125 left-hand pitch. Until October 1963. Replaced by DS 443-04; order in addition: 1-615.751 (R. VI).</i>	1	DS 443-10	Adjustment sleeve on steering rod, right-hand, threaded 14 diameter x 125 left-hand and right-hand pitch.	1	D 443-74	Screw, hex. head, 9 diameter x 125 pitch, 50 mm long, for locking upper relay lever.	2
DS 443-04	End piece with ball pin without pin hole, right side of steering rod. Threaded 14 x 125 left-hand pitch. Since October 1963.	1	D 443-11	Nut, hex., castellated, 12 diameter x 150 pitch, for ball pins on steering rod. Until October 1963.	6	D 443-78	Ring, rubber, for bottom of steering relay housing, 24 x 41.5 x 6.5. Until January 1961.	2
			D 443-12	Shield, left-hand, protecting relay housing. Until May 1958.	1	DS 443-78	Rubber ring for bottom of relay housing, diameter 28 and 52.5. Since January 1961.	2
			D 443-12a	Shield, right-hand, protecting relay housing. Until May 1958.	1	D 443-83	Cap for relay housing.	2
			DM 443-12	Shield, left-hand, protecting relay housing. Since May 1958.	1			

STEERING-RELAY HOUSINGS-STEERING RODS-LEVERS-147

NUMBER	DESCRIPTION	No. OFF	NUMBER	DESCRIPTION	No. OFF	NUMBER	DESCRIPTION	No. OFF
D 443-87	Nut, hex. , 20 diameter x 150 pitch, securing bottom of relay housing.	2	D 443-96	Bolt for steering rod shackle, 9 diameter x 58 long, slotted head. Until October 1959.	2	2.491-S	Nut, hex. , 7 diameter x 100 pitch (R. III) securing : - collar locking adjustment sleeve on right-hand steering rod.	2
D 443-88	Bolt for securing bottom of steering relay housing, 20 diameter x 150 pitch, 112 mm long. Until May 1958.	2	DM 443-96	<i>Bolt for steering rod shackle, flat head. October 1959 - October 1963. Replaced by DM 443-96a; order in addition: 1-615.749 (R. VI).</i>	2		- for bolt locking top of steering relay housing.	2
DS 443-88	Bolt for securing bottom of steering relay housing, 122 mm long. Since May 1958.	2	DM443-96a	Bolt for steering rod shackle. Flat head. Without hole for pin. Since October 1963.	2	4.102-S	Ball, 6.74 mm diameter for ball bearing in steering relay (R. VI).	56
D 443-89	Washer, 7.5 x 14 x 2, for adjustment of relay housing.	As nec.	487-S	Screw, hex. head, 7 diameter x 25 long, for locking top of relay housing (R. III).	2	<u>4.737-S</u>	Hydraulic greaser (threaded 7 x 100) for lower relay lever (R. VI). Since February 1964.	2
D 443-89a	Washer, 7.5 x 14 x 3, for adjustment of relay housing.	As nec.	488-S	Screw, hex. head, 7 diameter x 28 long, securing relay cap (R. III).	4	5.400-S	Nut, hex. , 9 diameter x 125 pitch, for screw locking upper lever of relay (R. III).	2
DS 443-94	Sealing cup on steering rod ball pin (R. VI).	4	489-S	Screw, hex. head, 7 diameter x 30 long (R. III) securing: - clamp on adjustment sleeve on right-hand steering rod.	2	615.749	Nut, "Nylstop" 9 diameter x 125 pitch, height 8.9 mm for shackle pin of steering rods (R. VI). Since October 1963.	2
D 443-95	Rubber thrust washer for sealing cup on steering rod ball pin.	4	2.368-S	Nut, hex., castellated, 9 diameter x 125 pitch, for bolts in shackle connecting steering rods (R. III). Until October 1963.	2	615.751	Nut, "Nylstop" 12 diameter x 150 pitch, height 11.6 mm for steering ball pins (R. VI). Since October 1963.	4
						620.061	Outer race of ball bearing for steering relay, 35 x 43 x 10 (R. II).	4

The numbers underlined indicate new parts which do not appear on the illustration.

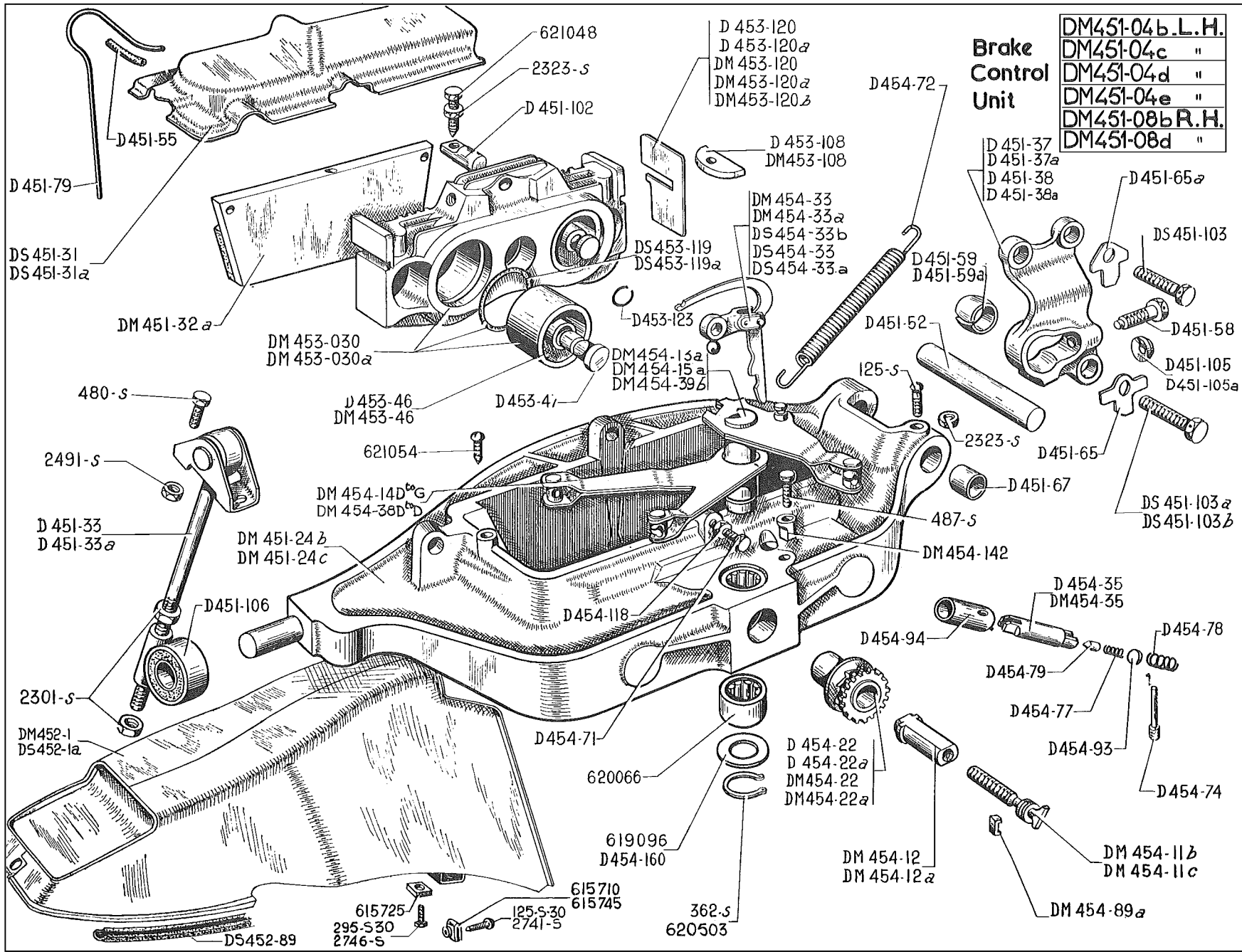


148-FRONT BRAKES-BRAKE CONTROL UNIT

NUMBER	DESCRIPTION	No. OFF	NUMBER	DESCRIPTION	No. OFF	NUMBER	DESCRIPTION	No. OFF
	Until February 1958							
D 451-04	<i>Brake control unit complete, left-hand. Replaced by DM 451-04b.</i>	1	D 451-65	Lockwasher, 12.5 mm for screw securing rear support.	2	D 453-120	Shim for adjustment of moving carrier 0.6 mm thick.	As nec.
D 451-04a	<i>Brake control unit complete, right-hand. Replaced by DM 451-04c.</i>	1	D 451-65a	Lockwasher, 9.5 mm for screw securing rear support.	3	D 453-120a	Shim for adjustment of moving carrier 0.7 mm thick.	As nec.
D 451-24	<i>Cradle, left-hand with roller bearing and bushes. Replaced by DM 451-24; order in addition: 1-DM 454-142, 1-487-S (R. III).</i>	1	D 451-67	Bush for cradle 16 x 19 x 16 (R. VI).	4	D 453-123	Circlip for piston in moving carrier, 0.7 mm thick (R. VI).	4
D 451-24a	<i>Cradle, right-hand with roller bearing and bushes. Replaced by DM 451-24a; order in addition: 1-DM 454-142, 1-487-S (R. III).</i>	1	D 451-79	Spring retaining protection cover. 3 mm diameter.	2	D 453-127	Bush, retaining anchor pin for moving carrier return spring 16 x 18 x 18.	4
DS 451-31	Protection cover, left-hand.	1	D 451-102	Pin carrying screw for locking lined segment 9 mm diameter 26 mm long.	4	D 453-128	Anchor screw for moving carrier return spring 4 diameter 75 pitch, 43 mm long.	4
DS 451-31a	Protection cover, right-hand.	1	DS 451-103	Screw, hex. head 9 diameter 25 long, securing rear support.	3	DM 454-11b	Push-rod adjustable, male for left hand brake unit, 10.5 diameter 1.8 right hand pitch.	1
DM 451-32a	Segment carrying lining (with brake lining).	4	DS 451-103a	Screw, hex. head 12 diameter 35 long, securing rear support.	1	DM 454-11c	Push-rod adjustable, male for right hand brake unit, 10.5 diameter 1.8 left hand pitch, marked with 1 groove.	1
D 451-33	Support, adjustable, front left-hand (male part), threaded 12 diameter x 125 pitch.	1	DS 451-103b	Screw, hex. head 12 diameter 50 long, securing rear support.	1	D 454-12	Push-rod, adjustable, female for left hand brake unit, 10.5 diameter 1.8 right hand pitch.	1
D 451-33a	Support, adjustable, front right-hand 108.5 mm long (male part), threaded 12 diameter x 125 pitch.	1	D 451-105	Plug, locking spherical bush in rear support, 17 mm diameter 6 mm thick.	2	D 454-12a	Push-rod adjustable, female for right hand brake unit, 10.5 diameter 1.8 left hand pitch, marked with 1 chamfer.	1
D 451-37	<i>Support, rear left-hand: - 2 holes 10 mm diameter. - 1 hole 13 mm diameter. Replaced by D 451-37a; order in addition: 1-D 451-59a, 1-D 451-105a.</i>	1	D 451-106	Support, front, adjustable (female part) 13 mm bore (R. VI).	2	D 454-13	<i>Lever with spindle for mechanical operation of brake control unit, left-hand. Replaced by DM 454-13a.</i>	1
D 451-38	<i>Support, rear right-hand. - 1 hole 13 mm diameter. 1 hole 10 mm diameter. Replaced by D 451-38a, order in addition: 1-D 451-59a, 1-D 451-105a.</i>	1	DM 452-1	<i>Cooling duct for front brake. Replaced by DM 452-91, order in addition: 2-DM 512-94.</i>	2	DM 454-14	Bell-crank lever on left-hand brake unit, 115 mm between centres.	1
D 341-39	<i>Return spring for brake control unit, external diameter 11.6 mm. Until April 1956. No longer supplied.</i>	1	DM 453-030b	Moving carrier with pistons and ring seals, replace type fitted up to February 1958, order in addition: 2-DM 453-108 and 1-DM 454-12 for the left side or 1-DM 454-12a for the right side.	2	DM 454-15a	Lever with spindle for mechanical operation of brake control unit, right hand.	1
D 451-52	Pin for rear support, 9 x 16 x 80.	2	D 453-22	Return spring for moving carrier, external diameter 15.6 mm.	4	D 454-22	Adjustment wheel, left hand, 8 teeth, external diameter 28 mm. Until December 1957.	1
D 451-55	Sleeve, rubber, protecting spring retaining cover, 2.5 x 6 x 25.	2	D 453-46	Piston for moving carrier 38 x 26.	4	D 454-22a	Adjustment wheel, right hand, 8 teeth, external diameter 28 mm. Until December 1957.	1
D 451-58	Screw, hex. head, 9 diameter x 25 long, locking spherical bush in rear support.	2	D 453-47	Piston rod in moving carrier, 11 mm diameter 27.35 long.	4			
D 451-59	Spherical bush in rear support, 28 mm diameter, 17 mm thick.	2	D 453-104	Anchor pin for moving carrier return spring 3.5 x 23.	1			
			D 453-108	Guide plate for moving carrier 34 x 13.5 x 4.	4			
			DS 453-119	Ring seal 37 x 44 x 3.5 for moving carrier.	4			

FRONT BRAKES-BRAKE CONTROL UNIT-151

NUMBER	DESCRIPTION	No. OFF	NUMBER	DESCRIPTION	No. OFF	NUMBER	DESCRIPTION	No. OFF
DM 454-22	Adjustment wheel, left hand, 10 teeth. Since December 1957.	1	D 454-79	Plunger in locking pin 4.8 x 7.5 (R.VI).	2	2.323-S	Nut, hex. 5 diameter 75 pitch (R.III) for screw: - locking brake segment - for anchorage of return spring on control lever	4 2
DM 454-22a	Adjustment wheel, right hand, 10 teeth. Since December 1957.	1	D 454-93	Disc for plunger spring in locking pin 7.5 mm. diameter 1 mm. thick.	2			
D 454-33	<i>Pawl on left-hand brake control unit (R.VI). Until December 1957. Replaced by DS 454-33; order in addition: 1-DS 451-31.</i>	1	D 454-94	Guide bush for locking pin 9.5 x 13 x 29 (R.VI).	2	2.338	Screw, hex. head 5 diameter 20 long for eccentric thrust bearing for adjustment of control lever (R.III).	2
D 454-33a	<i>Pawl on right-hand brake control unit (R.VI). Until December 1957. Replaced by DS 454-33a; order in addition: 1-DS 451-31a.</i>	1	D 454-118	Nut, hex. 5 diameter 75 pitch on stop pin for control lever (R.VI).	2	2.491-S	Nut, hex. 7 diameter 100 pitch, securing front adjustable support (R.III).	4
DM 454-33	Pawl on left hand brake control unit (R.VI). Since December 1957.	1	D 454-142	Eccentric stop for control lever adjustment 12 mm. diameter height 9 mm. internal diameter 5.25 mm.	2	2.741-S	Screw P.K. round head 4.85 x 9.5 securing brake cooling duct (R.VI).	4
DM 454-33a	Pawl on right hand brake control unit (R.VI). Since December 1957.	1	D 454-160	Spacing washer, upper for mechanical control lever 20 x 32 x 4. Since October 1956.	1	615.710	Nut clips securing brake cooling ducts (R.VI).	4
D 454-35	Locking pin 9.5 x 44.5. Until December 1957.	2	125-S	Screw, round head 5 diameter 15 long for anchorage of control lever return spring (R.III).	2	619.096	Washer, lower for mechanical control levers 20 x 32 x 1 (R.II).	2
DM 454-35	Locking pin. Since December 1957.	2	125-S-30	Screw, round head pointed 5 diameter 15 long, securing brake cooling duct (R.III).	2	619.097	<i>Washer, upper for mechanical control lever, R.H., 20 x 32 x 4 (R.II). Until October 1956. Replaced by D 454-160.</i>	1
D 454-71	Stop pin for control lever, threaded 5 diameter 75 pitch 20 mm long.	2	362-S	Circlip 18 x 24 x 1.5 for mechanical control lever spindle (R.III).	2	620.066	Needle roller bearing for cradle 20 x 26 x 16 (R.VI).	4
D 454-72	Return spring for control lever, external diameter 14.2 mm.	2	480-S	Screw hex. head 7 diameter 14 long, securing front adjustable support (R.III).	4	621.048	Screw, hex. head pointed 5 diameter 75 pitch 22 mm. long locking plate carrying brake lining (R.II).	4
D 454-74	Stop screw for spring on locking pin, 5 diameter 75 pitch, 28 mm long (R.VI).	2	2.301-S	Nut, hex. 12 diameter 125 pitch, securing front adjustable support (female part) (R.III).	4	621.054	Screw, hex. head pointed 5 diameter 35 long for locking guide plate for moving carrier (R.II).	1
D 454-77	Spring for plunger on locking pawl, external diameter 4.5 mm.	2						
D 454-78	Locking spring, external diameter 7.5 mm.	2						



DM451-04 b	L.H.
DM451-04 c	"
DM451-04 d	"
DM451-04 e	"
DM451-08 b	R.H.
DM451-08 d	"

Brake Control Unit

152-FRONT BRAKES-BRAKE CONTROL UNIT

NUMBER	DESCRIPTION	No. OFF	NUMBER	DESCRIPTION	No. OFF	NUMBER	DESCRIPTION	No. OFF
	Since February 1958 (Return springs for moving carrier discontinued).		D 451-37	<i>Support, rear left-hand. Until December 1962. Replaced by D 451-37a; order in addition: 1-D 451-59a, 1-D 451-105a.</i>	1	DS 451-103	Screw, hex. head, 9 diameter x 25 long, (1 hole in head), securing rear support.	3
DM 451-04b	Brake control unit, left-hand complete. L.H. steering. Until July 1960.	1	D 451-37a	Support, rear, left-hand, (2 holes 10 mm diameter, 1 hole 13 mm diameter). Housing for ball pin 26 mm diameter. Since December 1962.	1	DS 451-103a	Screw, hex. head, 12 diameter x 39 long (1 hole in head) securing rear support.	1
DM 451-04c	Brake control unit, right-hand complete. L.H. steering. Until July 1960.	1	D 451-38	<i>Support, rear right-hand. Until December 1962. Replaced by D 451-38a; order in addition: 1-D 341-59a, 1-D 451-105a.</i>	1	DS 451-103b	Screw, hex. head, 12 diameter x 54 long, (1 hole in head) securing rear support.	1
DM 451-04d	Brake control unit, left-hand, with 42 mm pistons. L.H. steering. Since July 1960.	1	D 451-38a	Support, rear, right-hand (1 hole 10 mm diameter, 1 hole 13 mm diameter). Housing for ball pin 26 mm diameter. Since December 1962.	1	D 451-105	Plug locking spherical bush in rear support, 17 mm diameter. Until December 1962.	2
DM 451-04e	<i>Brake control unit, right-hand, with 42 mm pistons. L.H. steering. July 1960 - January 1964. Replaced by DM 451-08d.</i>	1	D 451-52	Pin for rear support, 9 x 16 x 80.	2	D 451-105a	Plug, locking spherical bush in rear support, 17 mm diameter, 6 mm thick (assembly with 26 mm diameter spherical bush). Since December 1962.	2
DM 451-08b	Brake control unit, left-hand, with 42 mm piston. R.H. steering.	1	D 451-55	Sleeve, rubber, protection spring retaining cover, 2.5 x 6 x 25.	2	D 451-106	Support, adjustable, front (female part), bore 13 mm diameter (R. VI).	2
DM 451-08d	Brake control unit, right-hand, complete with elbowed pawl. R.H. steering. L.H. steering. Since January 1964.	1	D 451-58	Screw, hex. head, 9 diameter x 25 long, for locking spherical bush in rear support.	2	DM 452-1	<i>Cooling duct for front brake. Until September 1962. Replaced by DM 452-91, order in addition 2-DM 512-94.</i>	2
DM 451-24b	Cradle, left-hand with bearings.	1	D 451-59	Spherical bush in rear support, 28 mm diameter, 17 mm thick. Until December 1962.	2	DS 452-1a	Cooling duct for front brake. Since September 1962.	2
DM 451-24c	Cradle, right-hand with bearings.	1	D 451-59a	Spherical bush in rear support, 26 mm diameter, 17 mm thick. Since December 1962.	2	DS 452-89	Sealing joint, black rubber, between brake duct and panel (R. VI). Since September 1962.	2
DS 451-31	Protection, cover, left-hand.	1	D 451-65	Lockwasher 12.5 mm for screw securing rear support. Until April 1958.	2	<u>DM 452-91</u>	Cooling duct for front brake. Until September 1962.	2
DS 451-31a	Protection cover, right-hand.	1	D 451-65a	Lockwasher 9.5 mm for screw securing rear support. Until April 1958.	3	DM 453-030	Moving carrier with 38 mm pistons and ring seals. June 1959 - July 1960. Replaces earlier type; order in addition: 2-DM 453-108.	2
DM 451-32a	Segment carrying lining (with brake lining quality 623).	4	D 451-67	Bush for cradle, 16 x 19 x 16 (R. VI).	4	DM 453-030a	Moving carrier with 42 mm pistons and ring seals. Since July 1960.	2
D 451-33	Support, adjustable, front left-hand (male part), threaded 12 diameter x 125 pitch. Left and right-hand. Since September 1962.	1 2	D 451-79	Spring retaining protection cover, 3 mm diameter.	2	<u>DM 512-94</u>	Sound deadening strip, lateral, for brake cooling duct, 80 mm long. Until September 1962.	4
D 451-33a	Support, adjustable front right-hand, length 108.5 mm (male part), threaded 12 diameter x 125 pitch. Until September 1962.	1	D 451-102	Pin carrying screw locking lined segment 9 mm diameter, 26 mm long.	4			

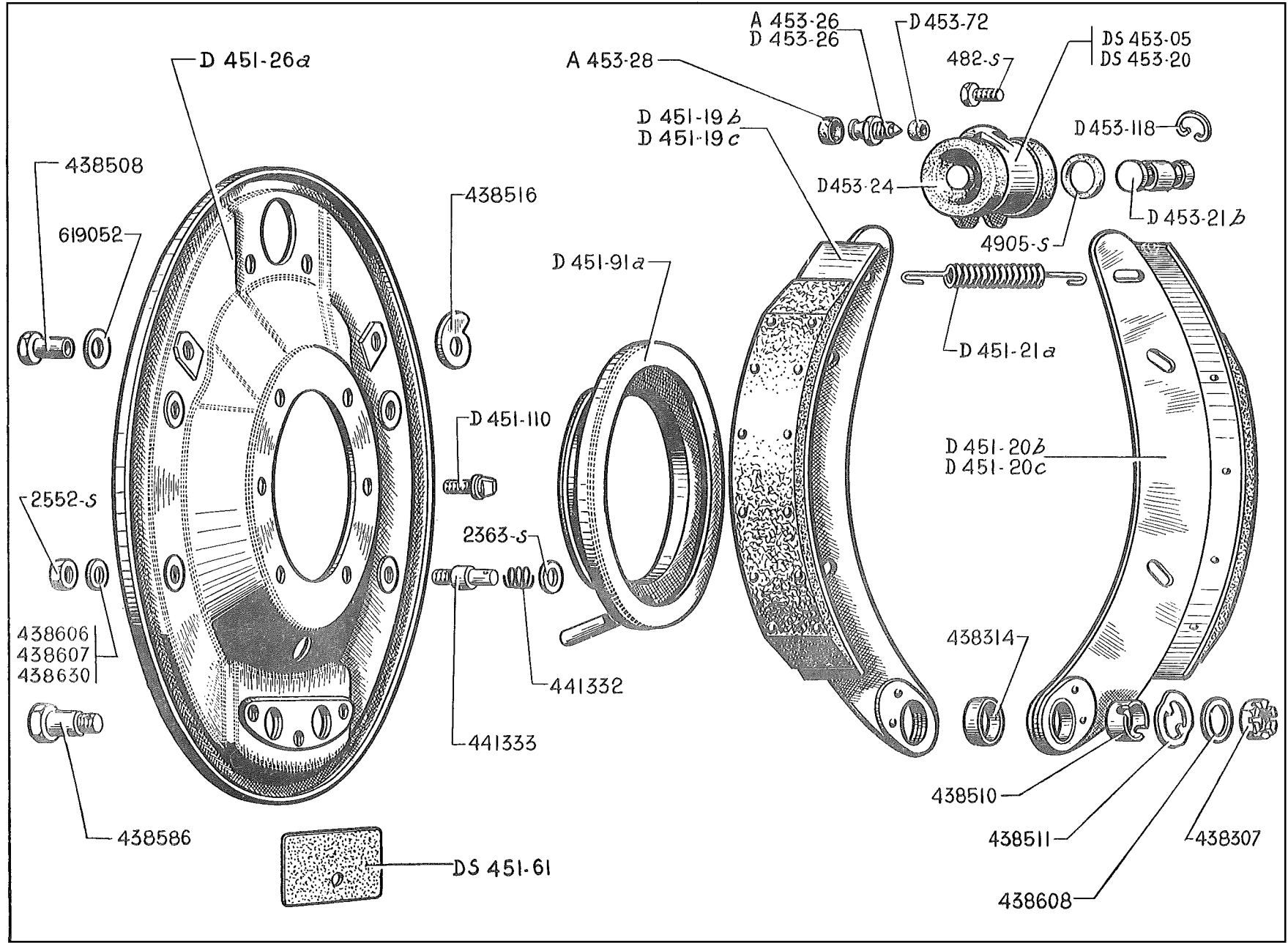
FRONT BRAKES-BRAKE CONTROL UNIT-155

NUMBER	DESCRIPTION	No. OFF	NUMBER	DESCRIPTION	No. OFF	NUMBER	DESCRIPTION	No. OFF
D 453-46	Piston for moving carrier, 38 x 26. Until July 1960.	4	DM 454-12a	Adjustable push-rod, female, for brake control unit, right-hand diameter 15.4 and 19.5 mm. Marked with 1 chamfer.	1	DS 451-33a	Pawl on right-hand brake control unit (R. VI). Since October 1961. Replaces type fitted from May 1958 - October 1961; order in addition: 1-DS 451-31a. L. H. steering. Until January 1964.	1
DM 453-46	Piston for moving carrier, 42 x 26. Since July 1960.	4	DM 454-13a	Lever with spindle for mechanical control for left-hand brake unit, groove for circlip 1.3 mm wide. Since September 1960. Replaces previous type; order in addition: 1-620. 503 (R. VI). L. H. steering.	1	DS 454-33b	Pawl on right-hand brake control unit, elbowed (R. VI). R. H. steering. L. H. steering. Since January 1964.	1
D 453-47	Piston rod for moving carrier, 11 mm diameter, 27.35 mm long.	4	DM 454-14	Cranked lever for left-hand brake control unit. L. H. steering.	1	D 454-35	Locking pin, 9.5 x 44.5. Since May 1958.	2
D 453-108	Guide plate for moving carrier, 34 x 13.5 x 4. Until June 1959.	4	DM 454-15a	Lever with control spindle for mechanical operation of right-hand brake control unit, groove for circlip 1.3 mm wide. Since September 1960. Replaces previous type; order in addition: 1-620. 503 (R. VI).	1	DM 454-35	Locking pin. Until May 1958.	2
DM 453-108	Guide plate for moving carrier, 40 x 15.5 x 4. Since June 1959.	4	D 454-22	Adjustment wheel, left-hand, 8 teeth, external diameter 28 mm. Since May 1958.	1	DM 454-38	Lever, cranked, for left-hand brake control unit, R. H. steering.	1
DS 453-119	Ring seal, 37 x 44 x 3.5, for moving carrier. Until July 1960.	4	D 454-22a	Adjustment wheel, right-hand, 8 teeth, external diameter 28 mm. Since May 1958.	1	DM 454-39b	Lever, cranked, with spindle, for mechanical control of left-hand brake unit (groove for circlips 1.3 mm wide). R. H. steering.	1
DS 453-119a	Ring seal, 41.3 x 48.5 x 3.6, for moving carrier. Since July 1960.	4	DM 454-22	Adjustment wheel, left-hand, 10 teeth. Until May 1958.	1	D 454-71	Pin for control lever, threaded 5 diameter x 75 pitch, 20 mm long.	2
D 453-120	Shim for moving carrier adjustment 0.6 mm thick, 45 mm wide. Until June 1959.	As nec.	DM 454-22a	Adjustment wheel, right-hand, 10 teeth. Until May 1958.	1	D 454-72	Return spring for control lever, external diameter 14.2 mm.	2
D 453-120a	Shim for moving carrier adjustment, 0.7 mm thick, 45 mm wide. Until June 1959.	As nec.	DM 454-33	Pawl on left-hand brake control unit (R. VI). Until May 1958.	1	D 454-74	Stop pin, 5 diameter x 28 long, for spring on locking pin (R. VI).	2
	Shim for moving carrier adjustment, 47 mm wide. Since June 1959.	As nec.	DM 454-33a	Pawl on right-hand brake control unit (R. VI). Until May 1958.	1	D 454-77	Spring for plunger on locking pin, external diameter 4.5 mm.	2
DM 453-120	0.635 mm thick.		DS 454-33	Pawl on left-hand brake control unit (R. VI). Since October 1961. Replaces type fitted from May 1958 - October 1961; order in addition: 1-DS 451-31.	1	D 454-78	Locking spring, external diameter 7.5 mm.	2
DM 453-120a	0.685 mm thick.					D 454-79	Plunger in locking pin, 4.8 x 7.5 (R. VI).	2
DM 453-120b	0.736 mm thick.					DM 454-89a	Circlip retaining male plunger.	2
D 453-123	Circlip for piston rod in moving carrier, 0.7 mm thick (R. VI).	4				D 454-93	Disc for plunger spring in locking pin, 7.5 mm diameter, 1 mm thick.	2
DM 454-11b	Adjustable push-rod, male, for left-hand brake control unit, 16 mm diameter.	1						
DM 454-11c	Adjustable push-rod, male, for right-hand brake control unit, 16 mm diameter.	1						
DM 454-12	Adjustable push-rod, female, for brake control unit, left-hand diameter 15.4 and 19.5 mm.	1						

156-FRONT BRAKES-BRAKE CONTROL UNIT

NUMBER	DESCRIPTION	No. OFF	NUMBER	DESCRIPTION	No. OFF	NUMBER	DESCRIPTION	No. OFF
D 454-94	Guide bush for locking pin, 9.5 x 13 x 29 (R. VI).	2	480-S	Screw, hex. head, 7 diameter x 14 long, securing front adjustable support (R. III).	4	615.710	Nut clips, securing brake cooling duct (R. VI). Until September 1962.	4
D 454-118	Nut, hex., 5 diameter x 75 pitch on pin for control lever (R. VI).	2	487-S	Screw, hex. head, 7 diameter x 25 long, securing eccentric bush for control lever adjustment (R. III).	2	615.725	Cage nut, securing duct (R. VI). Since September 1962.	4
DM 454-142	Eccentric bush for control lever adjustment, internal diameter 7, 25 mm.	2	2.301-S	Nut, hex., 12 diameter x 125 pitch, securing front adjustable support (female part) (R. III).	4	615.745	Nut clips, securing duct (R. VI). Since September 1962.	2
D 454-160	Spacing washer, upper, for mechanical control lever, right-hand, 20 x 32 x 4.	1	2.323-S	Nut, hex., 5 diameter x 75 pitch (R. III) for screw: - for locking plate carrying brake lining. - anchoring control lever return spring.	4 4 2	619.096	Washer, lower, for mechanical control levers, 20 x 32 x 1 (R. II).	2
125-S	Screw, round head, 5 diameter x 15 long, for control lever return spring anchorage (R. III).	2	2.491-S	Nut, hex., 7 diameter x 100 pitch, securing front adjustable support (R. III).	4	620.066	Needle roller bearing for cradle, 20 x 26 x 16 (R. VI).	4
125-S 30	Screw, round head, pointed, 5 diameter x 15 long, securing brake cooling duct (R. III). Until September 1962.	2	2.741-S	Screw, P.K. round head, 4.85 x 9.5 securing brake cooling duct (R. VI). Until September 1962.	4	620.503	Circlips locking spindle of mechanical control levers (R. VI). Since September 1960.	2
295-S 30	Screw, hex. head, pointed, 5 diameter x 16 long, securing duct (R. III). Since September 1962.	4	2.746	Screw, P.K. round head, 4.85 x 16, securing duct (R. VI). Since September 1962.	2	621.048	Screw, hex. head, pointed, 5 diameter x 75 pitch, 22 long, for locking plate carrying brake lining (R. II).	4
362-S	Circlip, 18 x 24 x 1.5, for mechanical control lever spindle (R. III). Until September 1960.	2				621.054	Screw, hex. head, pointed, 5 diameter x 35 long, for locking guide plate for moving carrier (R. II).	4

158-REAR BRAKES-BACK PLATES-BRAKE SHOES



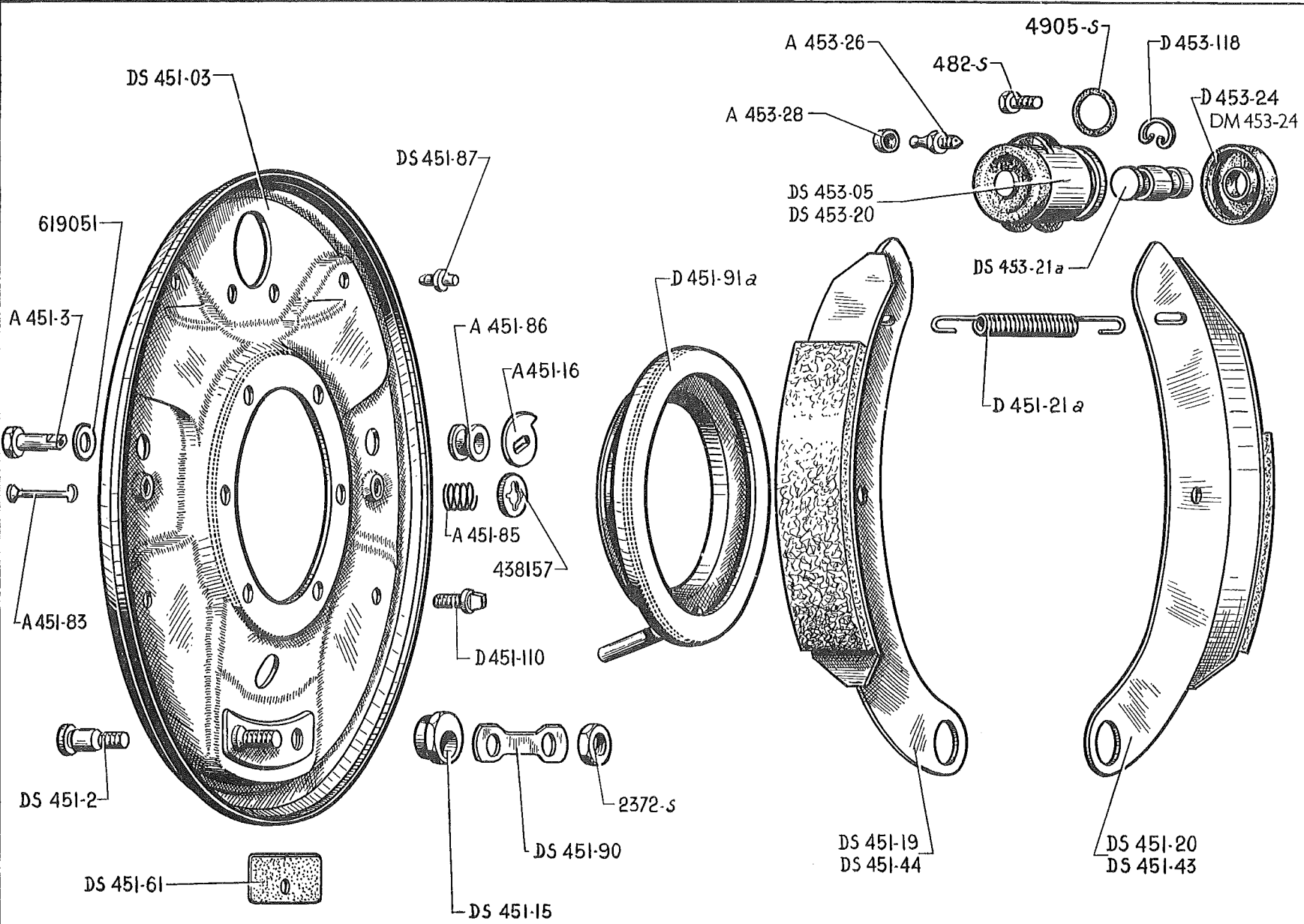
REAR BRAKES-BACK PLATES-BRAKES SHOES-159

NUMBER	DESCRIPTION	No. OFF	NUMBER	DESCRIPTION	No. OFF	NUMBER	DESCRIPTION	No. OFF
Until December 1957			DS 453-05	Cylinder complete for rear brake (with pointed bleed screw).	2	438.314	Bush, 20 x 22 x 10 for brake shoe (R.VI).	4
A 453-26	Bleed screw for rear brake cylinder. Since July 1957.	2	DS 453-20	Cylinder only,, for rear brake, internal diameter 18 mm.	2	438.508	Pin for brake shoe adjustment cam, 21 mm. long (R.II).	4
A 453-28	Rubber cap for bleed screw on brake cylinder (R. VI).	2	D 453-21b	<i>Piston for rear brake cylinder, external diameter 18 mm. Replaced by DS 453-21a; order in addition: 1-DM 453-24.</i>	2	438.510	Bush, 16 x 20 x 13.6 for brake shoe adjustment (R.II).	4
D 451-19b	<i>Brake shoe front, left-hand, lining 180 mm long. Replaced by D 451-19d; order in addition: 1-D 451-20d.</i>	1	D 453-24	Dust cover, rubber for brake cylinder 9.5 x 27.	4	438.511	Spacing washer on brake shoe anchor pin (R.II).	4
D 451-19c	<i>Brake shoe front, right-hand, lining 180 mm long. Replaced by D 451-19e; order in addition: 1-D 451-20e.</i>	1	D 453-26	Bleed screw for rear brake cylinder. Until July 1957.	2	438.516	Cam for brake shoe adjustment, hole 10.5 x 12 (R.II).	4
<u>D 451-19d</u>	Brake shoe, front, left-hand, for rear brake (lining stuck on).	1	D 453-72	Washer for bleed screw on rear brake cylinder, 4.5 mm. diameter (R.VI). Until July 1957.	2	438.586	Anchor pin for brake shoes 38.5 mm. long, machined part 19 mm. (R.II).	4
<u>D 451-19e</u>	Brake shoe, front, right-hand, for rear brake (lining stuck on).	1	D 453-118	Circlip for rear brake cylinder, 1.1 mm. diameter wire.	2	438.606	Washer 8.5 x 18 x 0.5 for adjusting guide pins for brake shoes. (R.II).	As nec.
D 451-20b	Brake shoe, rear, left-hand, lining 146 mm long.	1	482-S	Screw, hex. head 7 diameter 12.5 securing cylinder on backplate (R.III).	4	438.607	Washer 8.5 x 18 x 0.2 for adjusting guide pins for brake shoes (R.II).	As nec.
D 451-20c	<i>Brake shoe, rear, right-hand, lining 146 mm long. Replaced by D 451-20e; order in addition: 1-D 451-19e.</i>	1	2.363-S	Washer, 6.5 x 14 x 1.5 for brake shoe adjustment (R.III).	16	438.608	Washer 14.5 x 24 x 1 for adjustment of anchor pin (R.II).	As nec.
<u>D 451-20d</u>	Brake shoe, rear, left-hand, for rear brake (lining stuck on).	1	2.552-S	Nut, hex. 8 diameter 125 pitch, securing guide pins (R.III).	8	438.630	Washer 8.5 x 18 x 1 for adjustment of guide pins for brake shoes (R.II).	As nec.
<u>D 451-20e</u>	Brake shoe, rear, right-hand, for rear brake (lining stuck on).	1	4.905-S	<i>Ring seal 12.1 x 17.5 x 2.7 for rear brake cylinder (R. VI). Replaced by 4.983-S.</i>	4	441.332	Spring for brake shoe guide pin (R.II).	8
D 451-21a	Return spring for brake shoes, external diameter 14 mm.	2	438.307	Nut, hex. 14 diameter 150 pitch on anchor pin (R.II).	4	441.333	Guide pin for brake shoe 47 mm long (R.II).	4
D 451-26a	Brake backplate, rear, right-hand and left-hand, diameter 277 mm.	2				619.052	Washer, Bellville type for cam spindle (R.VI).	4
DS 451-61	Sealing plate rubber for brake backplate 31 x 45. Since February 1957.	2						
D 451-91a	Oil drain ring for rear brake with drain tube, diameter 85 x 134.	2						
D 451-110	Screw 7 diameter x 100 pitch, 23 mm long securing brake backplate.	12						

The numbers underlined indicate new parts which do not appear on the illustration.

Catalogue No. 466 - June 1965.

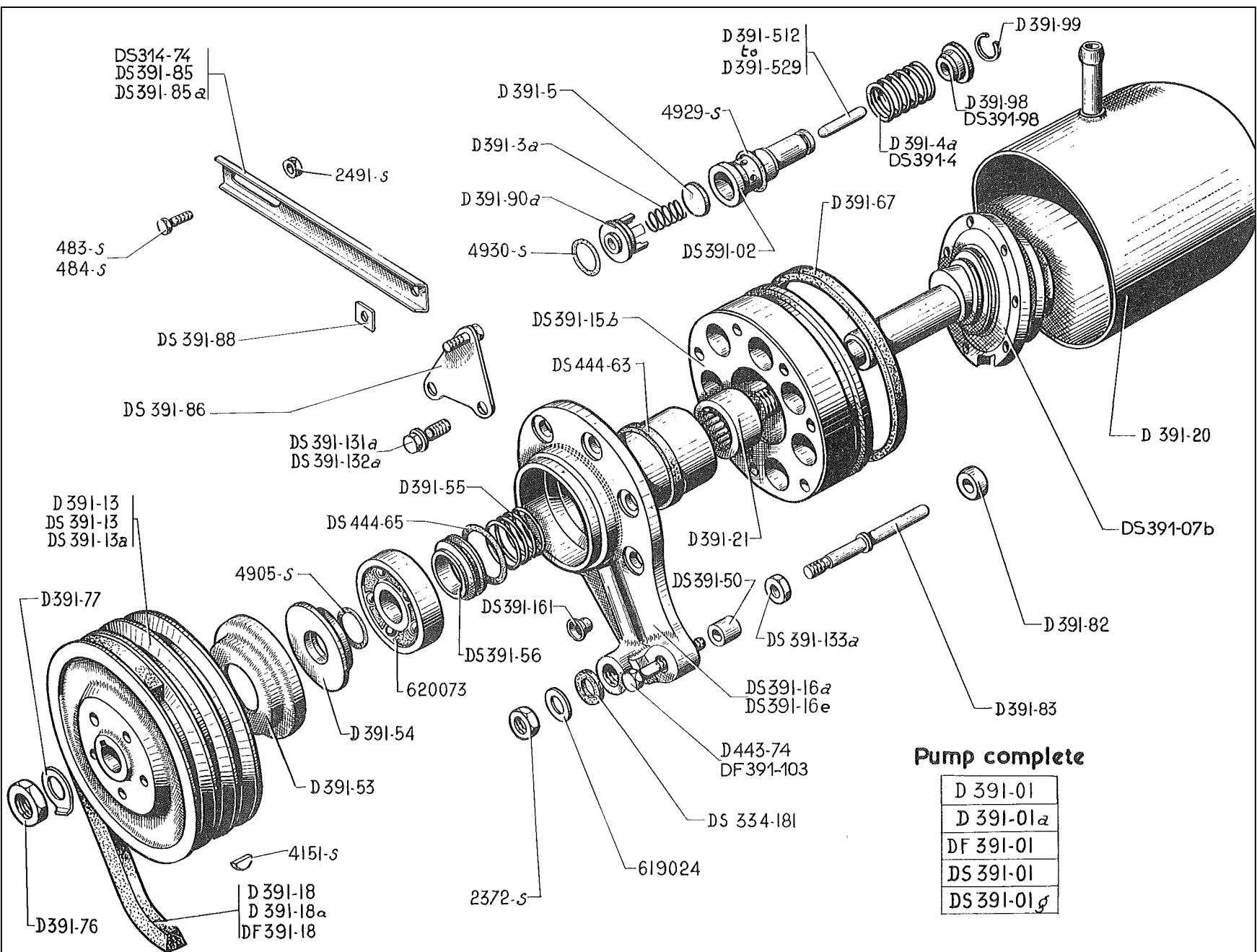
REAR BRAKES-BACK PLATES-BRAKE SHOES-161



160-REAR BRAKES-BACK PLATES-BRAKES SHOES

NUMBER	DESCRIPTION	No. OFF	NUMBER	DESCRIPTION	No. OFF	NUMBER	DESCRIPTION	No. OFF
	Since December 1957							
A 451-3	Pin, hex. head (machined part 15.4 mm. 9 mm. diameter) for brake adjustment cam.	4	DS 451-15	Eccentric for brake shoe adjustment 7 mm. thick.	4	DS 453-20	Brake cylinder, only, internal diameter 18 mm.	2
A 451-16	Brake shoe adjustment cam, 32 mm. wide.	4	DS 451-19	Brake shoe, front, left hand, lining 175 mm. long.	1	DS 453-21a	Piston for brake cylinder, external diameter 18 mm. Since October 1959. Replaces earlier type, order in addition: 1-DM 453-24.	2
A 451-83	Guide pin for brake shoe spring, total length 35 mm.	4	DS 451-20	Brake shoe, rear, left hand, lining 132 mm long.	1	D 453-24	Dust cover, rubber, for cylinder 9.5 x 27. Until October 1959.	4
A 451-85	Spring for brake shoe, 18 mm. diameter (R.VI).	4	D 451-21a	Return spring for brake shoes, external diameter 14 mm.	2	DM 453-24	Dust cover, rubber, for cylinder 8 x 27. Since October 1959.	4
A 451-86	Distance piece for brake shoe adjustment cam 9 mm. diameter 10 mm. high.	4	DS 451-43	Brake shoe, rear, right hand, lining 132 mm. long.	1	D 453-118	Circlip retaining brake cylinder, wire diameter 1.1 mm.	2
A 453-26	Bleed screw for brake cylinder	2	DS 451-44	Brake shoe, front, right hand, lining 175 mm. long.	1	482-S	Screw, hex. head 7 diameter 12.5 long securing brake cylinder on backplate (R.III).	4
A 453-28	Rubber cap for brake cylinder bleed screw (R.VI).	2	DS 451-61	Rubber plate for backplate 31 x 45.	2	2.372-S	Nut, hex. 9 diameter 125 pitch for brake adjustment eccentrics (R.III).	4
DS 451-03	Brake backplate, 303 mm. diameter with fixed pins.	2	DS 451-87	Guide pin for brake shoe.	8	4.905-S	<i>Ring seal 12.1 x 17.5 x 2.7 for cylinder (R. VI). Until July 1964. Replaced by 4.983-S.</i>	4
DS 451-2	Fixed pin for brake shoes 12 mm. diameter 26 mm. long.	2	DS 451-90	Lockwasher, double 10.5 mm. diameter 40 mm. between for eccentrics adjusting brakes.	2	<u>4.983-S</u>	Ring seal, 12.1 x 17.5 x 2.7 for cylinder (R. III). Since July 1964.	4
			D 451-91a	Oil drain ring for brake with drain tube 85 x 134.	2	438.157	Retaining cap for brake shoe spring internal diameter 19 mm. (R.II).	4
			D 451-110	Screw, 7 diameter 23 long, securing brake backplate.	12	619.051	Washer, Bellville type 9.5 x 27 for adjustment cam (R. VI).	8
			DS 453-05	Brake cylinder complete (with pointed bleed screw).	2			

SUSPENSION PUMP-165



Pump complete

D 391-01
D 391-01 _a
DF 391-01
DS 391-01
DS 391-01 _g

NUMBER	DESCRIPTION	No. OFF	NUMBER	DESCRIPTION	No. OFF	NUMBER	DESCRIPTION	No. OFF
DS 314-74	<i>Adjusting stay for pump, 180 mm long. January 1962 - June 1965. Replaced by DX 391-74.</i>	1	DS 391-02	Cylinder and piston, collar diameter 18.5 mm and 20 mm. Since November 1958.	7		<i>Replaces earlier model. Replaced by DX 391-16; order in addition 1-DS 391-21a (R. VI). DS 391-103.</i>	
DS 334-181	<i>Rubber joint, 10.5 x 15.9 x 2.7, for pivot pin (R. VI). Until September 1958. Replaced by 4.978-S.</i>	2	DS 391-07b	Pump shaft with bearing (nut for securing bearing 10.5 mm thick). Since April 1962. Replaces previous models.	1	<u>DX 391-16</u>	Bearing for high pressure pump spindle, 1 hole 9 mm diameter height 32.5 mm for fixing. Since June 1965.	1
D 391-01	<i>High pressure pump complete. Until February 1956. Replaced by DF 391-01 (see table, page 164A).</i>	1	D 391-3a	Valve spring, external diameter 8 mm.	7	D 391-18	Belt for driving pump (R. VI): - February 1956 - July 1956. - July 1956 - September 1960.	1 2
D 391-01a	<i>High pressure pump complete with bracket D 391-86b. February 1956 - July 1956. Replaced by DF 391-01b (see table, page 164A).</i>	1	D 391-4a	<i>Return spring for piston, external diameter 21 mm. Until March 1963. Replaced by DS 391-4; order in addition: 1-DS 391-98.</i>	7	D 391-18a	<i>Belt for driving pump (R. VI). Until February 1956. No longer supplied.</i>	1
DF 391-01	<i>High pressure pump complete (fixing and pressure outlet separate). September 1958 - September 1960. Replaced by DVF 391-01, order in addition: 1-DS 391-103.</i>	1	DS 391-4	Return spring for piston, external diameter 21.35 mm. Since March 1963.	7	DF 391-18	Belt for driving pump (R. VI). Since September 1960.	2
DS 391-01	<i>High pressure pump complete with double grooved pulley. July 1956 - September 1958. Replaced by DVF 391-01 (see table, page 164A).</i>	1	D 391-5	Pump valve, 1.2 mm thick, 13 mm diameter.	7	D 391-20	<i>Pump cover. Until June 1965. Replaced by DX 391-20.</i>	1
DS 391-01g	<i>High pressure pump complete (pulley with 3 grooves). September 1960 - September 1964. Replaced by DS 391-01j; order in addition: 1-DS 391-103.</i>	1	D 391-13	Pulley, external diameter 106 mm. Until July 1956.	1	<u>DX 391-20</u>	Pump cover for high pressure pump with inclined delivery pipe. Since June 1965.	1
DS 391-01i	<i>High pressure pump (3 grooves pulley), fitted with needle roller bearings. September 1964 - June 1965. Replaced by DS 391-01, order in addition: 1-DS 391-103.</i>	1	DS 391-13	<i>Pulley, double groove, external diameter 106 mm. July 1956 - September 1960. Replaced by DF 391-13.</i>	1	D 391-21	Needle bearing, 17.6 x 28 x 15, (R. VI). Until June 1962.	1
DVF 391-01	High pressure pump complete, pulley 2 grooves (arrangement with inclined delivery pipe). Since June 1965. Manual control.	1	DS 391-13a	Pulley, 3 grooves for suspension pump. Since September 1960.	1	<u>DS 391-21a</u>	Needle roller bearing 17.6 x 28 x 16 (R. VI). Since September 1964.	1
DS 391-01j	High pressure pump complete, 3 groove pulley (arrangement with inclined delivery pipe). Since June 1965. Manual control.	1	DS 391-15b	<i>Pump body, internal groove diameter 22 mm. November 1958 - April 1965. Replaced by DS 391-15d; order in addition: 1-4.985-S.</i>	1	DS 391-50	Distance piece, 9 x 16 x 20, securing pump for assembly of pump DF 391-01 on gearbox housing with 16 mm diameter hole.	1
			<u>DS 391-15d</u>	Pump body, (ring seal fitted to cover for sealing). Since April 1965.	1	D 391-53	Sealing cup, 21.5 x 55.5.	1
			DS 391-16a	<i>End plate bearing for pump shaft. Until September 1958. No longer supplied.</i>	1	D 391-54	Pump deflector, 21.1 x 44 x 5.4.	1
			<u>DS 391-16c</u>	<i>Bearing for pump shaft (arrangement with needle roller bearings). September 1964 - June 1965. Replaced by DX 391-16; order in addition 1-DS 391-103.</i>	1	D 391-55	Sealing retaining spring, external diameter 22.5 mm.	1
			DS 391-16e	<i>Bearing end plate for pump spindle with bush. June 1962 - September 1964.</i>	1	DS 391-56	Seal carrier ring for pump, 18 x 27 x 9.	1
						D 391-67	Rubber joint between cover and pump body, 80 x 84.5 x 3.4.	1
						<u>DX 391-74</u>	Stay for high pressure pump, 80 mm long, 1 hole 8.5 mm. Since June 1965.	1

The numbers underlined indicate new parts which do not appear on the illustration.

164-SUSPENSION PUMP

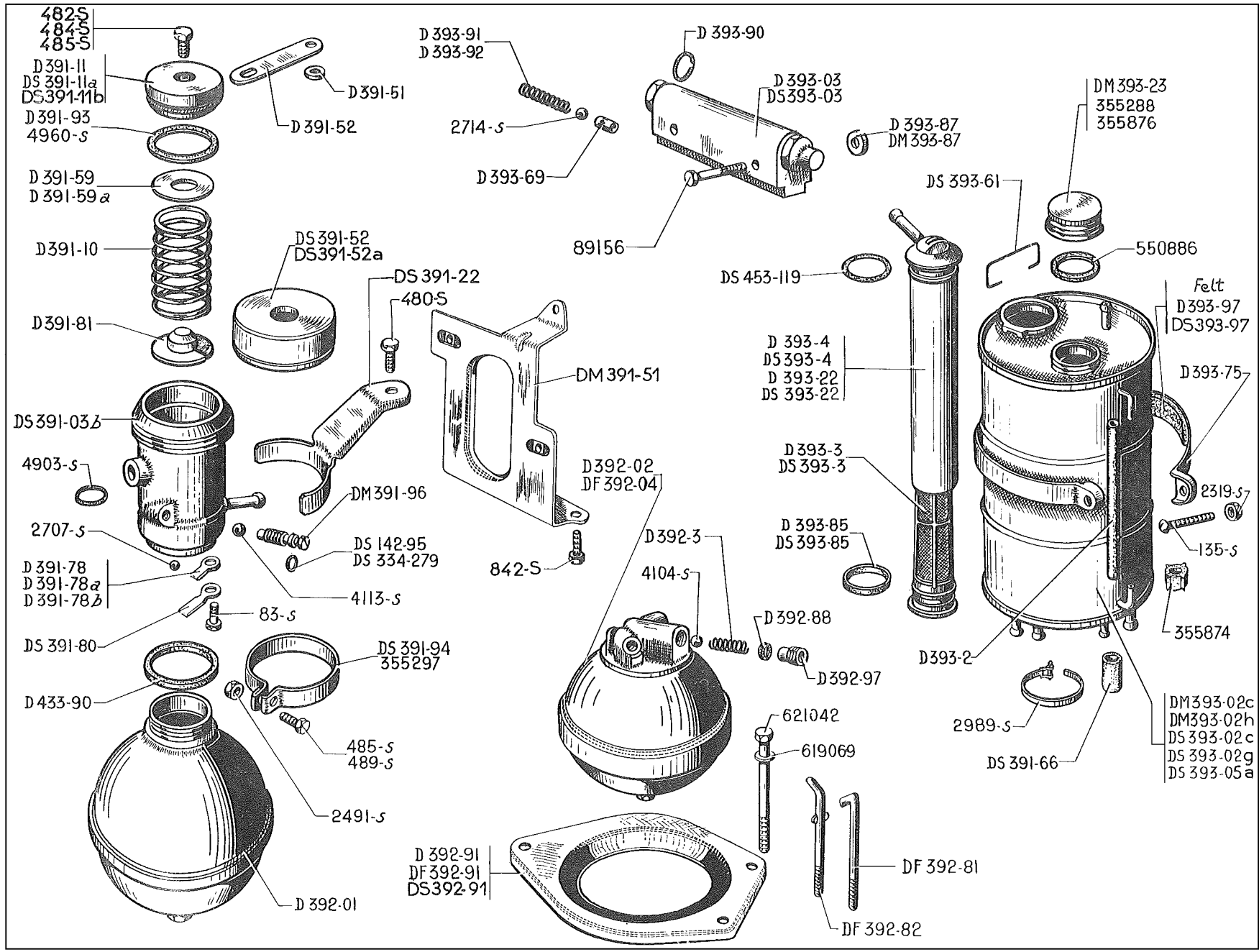
NUMBER	DESCRIPTION	No. OFF	NUMBER	DESCRIPTION	No. OFF	NUMBER	DESCRIPTION	No. OFF
D 391-76	Nut, hex., 12 diameter x 125 pitch, for pulley (R. VI).	1	D 391-90a	Distance piece for cylinder, internal diameter 21 mm.	7		Piston rod for suspension pump:	
D 391-77	Lockwasher, 12.2 diameter for pump pulley nut.	1	D 391-98	<i>Cup for piston spring, internal diameter 21 mm. Until March 1963. Replaced by DS 391-98; order in addition 1-DS 391-4.</i>	7	D 391-512	Length: 28.8.	
D 391-82	<i>Ball for locking rod, internal diameter 7 mm thickness 9 mm. Until September 1964. Replaced by DS 391-82.</i>	1	DS 391-98	Cup, for piston spring, internal diameter 8.5 mm, external diameter 21 mm. Since March 1963.	7	D 391-513	Length: 28.9.	
<u>DS 391-82</u>	Ball for locking rod, inside diameter 7 mm x 9 mm thick. Since September 1964.	1	D 391-99	Circlip (wire diameter 1 mm).	7	D 391-514	Length: 29.	
D 391-83	Locking rod, 7 mm diameter 84.5 mm long.	1	DF 391-103	Screw, 9 x 63, with 7.5 mm groove, securing high pressure pump. Mechanical control. R.H. steering. Until June 1965.	1	D 391-515	Length: 29.1.	
DS 391-85	Adjusting stay, for pump, 152.5 mm long. October 1956 - September 1958. Replaces earlier type; order in addition: 1-DS 391-86, 2-DS 391-88, 1-484-S (R. III).	1	<u>DS 391-103</u>	Screw, 9 x 125 for securing high pressure pump on gearbox housing, 65 mm long under the head. L.H. steering. Since June 1965.	1	D 391-516	Length: 29.2.	
DS 391-85a	Adjusting stay for pump, 137 mm long. September 1958 - January 1962.	1	<u>DX 391-103</u>	Screw, 9 x 125, for securing high pressure pump on gearbox housing, 82 mm long under head. R.H. steering. Since June 1965.	1	D 391-517	Length: 29.3.	
DS 391-86	Bracket locking belt stay (straight). October 1956 - September 1964. Replaces earlier type; order in addition 1-DS 391-85, 2-DS 391-88, 1-484-S (R. III).	1	DS 391-131a	Screw, hex. head, 8 diameter x 25 long, securing end bearing plate.	4	D 391-518	Length: 29.4.	
<u>DS 391-86a</u>	Bracket locking pump belt stay. Since September 1964.	1	DS 391-132a	Screw, hex. head, 8 diameter x 23 long, securing end bearing plate.	2	D 391-519	Length: 29.5.	
DS 391-88	<i>Bearing plate for pump stay, 15 x 15 x 3. October 1956 - June 1965. Replaced by DX 391-88.</i>	2	DS 391-133a	Nut, hex., 8 diameter x 100 pitch securing end bearing plate.	1	D 391-520	Length: 29.6.	
<u>DX 391-88</u>	Bearing plate for high pressure pump stay, 1 hole 8.5 mm diameter. Since June 1965.	2	DS 391-161	Reducing bush for assembly of 6.35 mm diameter pipe between pump and control valve (assembly with fittings D 392-90).	As nec.	D 391-521	Length: 29.7.	
						D 391-522	Length: 29.8.	
						D 391-523	Length: 29.9.	
						D 391-524	Length: 30.	
						D 391-525	Length: 30.1.	
						D 391-526	Length: 30.2.	
						D 391-527	Length: 30.3.	
						D 391-528	Length: 30.4.	
						D 391-529	Length: 30.5.	
						D 443-74	Screw, 9 diameter x 50 long, securing pump on gearbox casing. Since September 1958. Except Mechanical Control. R.H. steering.	1
						DS 444-63	Ring seal, 27.7 x 33.1 x 2.7, between pump body and bearing end plate (R. VI).	1
						DS 444-65	Ring seal, 21.3 x 28.5 x 3.6, on bush between bearing end plate and body.	1
						483-S	Screw, hex. head, 7 diameter x 15 long, securing pump stay (R. III). Until October 1956.	1
						484-S	Screw, hex. head, 7 diameter x 17.5 long, securing pump stay (R. III). Since October 1956.	1

NUMBER	DESCRIPTION	No. OFF	NUMBER	DESCRIPTION	No. OFF	NUMBER	DESCRIPTION	No. OFF
<u>704</u>	Packet of joints for renewal on high pressure pump.	1	4.929-S	<i>Ring seal, 18.7 x 22.5 x 1.9, for sleeves (R. VI). November 1958 - July 1964. Replaced by 4.986-S.</i>	7	<u>4.986-S</u>	Ring seal, 18.7 x 22.5 x 1.9 for sleeve (R. III). Since July 1964.	7
2.372-S	Nut, hex., 9 diameter x 125 pitch, securing pump (R. III).	1	4.930-S	<i>Ring seal, 15.7 x 21.1 x 2.7 for pump (R. VI). Until July 1964. Replaced by 4.987-S.</i>	7	<u>4.987-S</u>	Ring seal, 15.7 x 21.1 x 2.7 for pump. Since July 1964.	7
2.491-S	Nut, hex., 7 diameter x 100 pitch, securing pump stay (R. III).	1	<u>4.985-S</u>	Ring seal, 90 x 96 x 3 between pump body and cover (R. VI). Since April 1965.	1	619.024	Washer, 10 x 20, for pump pivot pin (R. II). Until September 1958.	1
4.151-S	Woodruff key, 3 x 3.7 x 10, for pump pulley (R. III).	1				620.073	Ball bearing, 12 x 50 x 16 (R. VI).	1
4.905-S	<i>Ring seal, 12.1 x 17.5 x 2.7 between deflector and pump shaft (R. VI). Replaced by 4.983-S.</i>	1						

ARRANGEMENT	By replacement of <i>one</i> of these parts :	It is necessary to change <i>all</i> the following parts :
Until February 1956.	D 391-01	1-DS 232-78a, 1-DVF 391-01, 1-DS 391-50, 1-DS 391-84b, 1-DS 391-85a, 1-DS 391-103, 1-DS 391-161, 1-D 392-90, 1-D 443-74, 1-D 453-60, 1-1065s (R. III). See MR 4.112-10.
February 1956 - July 1956.	D 391-01a	1-DVF 391-01, 1-D 391-13, 1-DS 391-50, 1-DS 391-84b, 1-DS 391-85a, 1-DS 391-103, 1-DS 391-161, 1-D 392-90, 1-D 443-74, 1-D 453-60.
July 1956 - September 1958.	DS 391-01	1-DVF 391-01, 1-DS 391-50, 1-DS 391-84b, 1-DS 391-85a, 1-DS 391-103, 1-DS 391-161, 1-D 392-90, 1-D 443-74, 1-D 453-60.

The numbers underlined indicate new parts which do not appear on the illustration.

170-SUSPENSION-CONTROL VALVE-ACCUMULATORS-RESERVOIR- DISTRIBUTION UNIT



SUSPENSION-CONTROL VALVE-ACCUMULATORS-RESERVOIR-DISTRIBUTION UNIT-167

NUMBER	DESCRIPTION	No. OFF	NUMBER	DESCRIPTION	No. OFF	NUMBER	DESCRIPTION	No. OFF
DS 142-95	Ring seal, 5.7 x 9.1 x 1.7, for bleed screw on pressure control valve (R. VI). Until July 1957.	1	DS 391-52	<i>Nut for tightening cap of pressure control valve, threaded 59 diameter x 150 pitch, (marked with one groove). December 1960 - November 1963. Replaced by DS 391-52a.</i>	1	D 392-02	Brake accumulator. Until July 1960.	2
DS 334-279	Ring seal, 6.7 x 10.5 x 1.9, for bleed screw on pressure control valve (R. VI). Since July 1957.	1	DS 391-52a	Nut for tightening cap of pressure control valve, threaded 59 mm diameter x 150 pitch, diameter of hole for passage of screw securing pressure control valve 85 mm (marked 1 groove). Since November 1963.	1	DF 392-04	Brake accumulator (1 tapped hole 9 diameter x 125 pitch). Since July 1960.	1
DS 391-03b	<i>Pressure control valve with nut for tightening cap (marked 1 groove on nut). Since December 1960. Replaces earlier types. Replaced by DX 391-03; order in addition: 1 DM 391-22a.</i>	1	D 391-59	Washer, 20 x 34 x 0.25 for adjustment of pressure control valve.	As nec.	D 392-3	Spring for brake accumulator, external diameter 8 mm. - Until July 1960. - Since July 1960.	2 1
D 391-10	Spring for pressure control valve, external diameter 34 mm.	1	D 391-59a	Washer, 20 x 34 x 1, for adjustment of pressure control valve.	As nec.	DF 392-81	Tie-rod securing brake accumulator, 74 mm long, threaded 5 diameter x 75 pitch. July 1960 - September 1962. Since September 1962.	2 1
D 391-11	<i>Cap for pressure control valve, threaded 46 diameter x 150 pitch. Until December 1960. No longer supplied.</i>	1	DS 391-66	Rubber cap, 18 x 42 (for replacement of reservoirs fitted until January 1957) (R. VI).	1	DF 392-82	Tie-rod securing brake accumulator, 65 mm long, threaded 5 diameter x 75 pitch. Since July 1960.	2
DS 391-11a	Cap for pressure control valve, 42 mm diameter 18.5 mm thick (marked with 1 groove). December 1960 - November 1963.	1		Shim for adjustment of pressure control valve thrust spring.	As nec.	D 392-88	Thrust washer, 10 x 12 x 2.7, for brake accumulator. - Until July 1960. - Since July 1960.	2 1
DS 391-11b	Cap for pressure control valve, 42 mm diameter, 16.5 mm thick (marked with 1 groove). Since December 1963.	1	D 391-78	0.1 mm thick.		D 392-91	Flange securing brake accumulators, hole centres 116 mm. Until July 1960.	1
D 391-22	Bracket for pressure control valve. Until September 1962.	1	D 391-78a	0.2 mm thick.		DF 392-91	Flange securing brake accumulators, hole centres 80 and 94. July 1960 - September 1962.	1
D 391-51	Distance piece for plate retaining pressure control valve, 10.5 x 20 x 9. Until November 1963.	1	D 391-78b	0.5 mm thick.		DS 392-91	Flange securing brake accumulator, 3 fixing holes. Since September 1962.	1
DM 391-51	Support for control valve. Since September 1962.	1	DS 391-80	Retaining plate for pressure control valve ball.	1	D 392-97	Screw for brake accumulator thrust spring, threaded 14 diameter x 150 pitch. - Until July 1960. - Since July 1960.	2 1
D 391-52	Plate retaining pressure control valve, distance between centres 62 mm. Until November 1963.	1	D 391-81	Cup with ball for pressure control valve.	1	DM 393-02c	Reservoir complete for pump supply (3 pipes at the lower part), 1 pipe at the upper part, return to control valve. September 1960 (few cars). Hydraulic Control.	1
			DS 391-94	Clip for tightening pressure control valve, 58 mm diameter. Since February 1959.	1			
			DM 391-96	Bleed screw for pressure control valve, 49 mm long.	1			
			D 392-01	Main accumulator.	1			

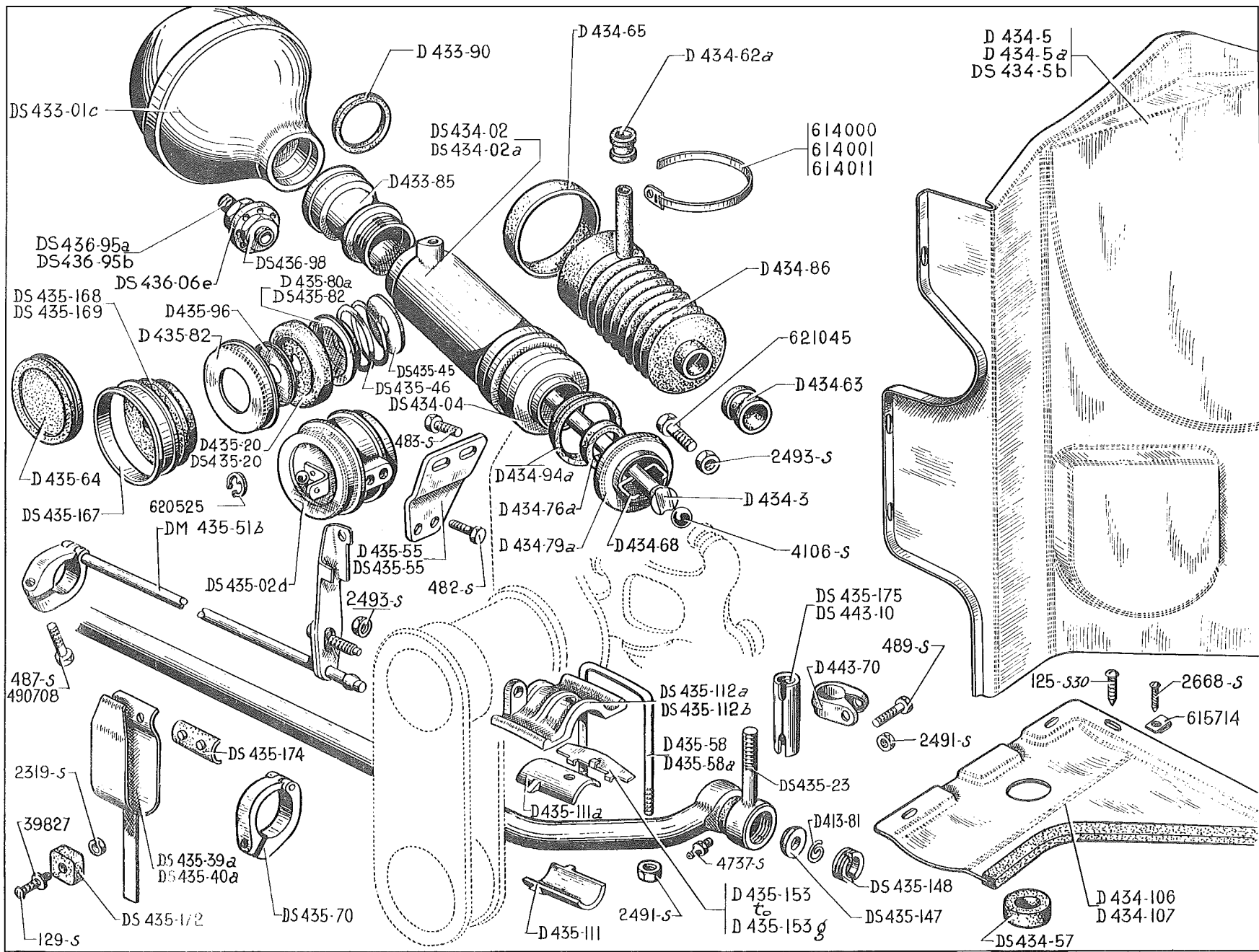
168-SUSPENSION-CONTROL VALVE-ACCUMULATORS-RESERVOIR-DISTRIBUTION UNIT

NUMBER	DESCRIPTION	No. OFF	NUMBER	DESCRIPTION	No. OFF	NUMBER	DESCRIPTION	No. OFF
DM 393-02h	Reservoir complete for pump supply. (4 pipes to the lower part). Mechanical Control.	1	D 393-4	<i>Filter complete for reservoir (R. VI). Until March 1957. No longer supplied.</i>	1	D 393-92	Spring for front suspension valve, internal diameter 7.2 mm.	1
DS 393-02c	Reservoir complete for pump supply (assembly with separate return for correctors). January 1957 - July 1960. Replaces earlier types; order in addition: 1-DS 391-66 (R. VI), 1-2.989-S (R. VI). For type fitted until October 1956; order in addition: 1-DS 314-87. Hydraulic control.	1	DS 393-4	Filter complete with nylon unit tube for reservoir. Since March 1957.	1	D 393-97	Packing (felt) for reservoir, 215 mm long, 15 mm wide. Until September 1962.	2
DS 393-02g	Reservoir complete for pump supply (4 pipes at the lower part, 1 pipe at the upper part, return to control valve). (Inscription in 4 languages). Since December 1960. Hydraulic Control.	1	D 393-22	Unit tube, only for reservoir, (R. VI). Until March 1957.	1	DS 393-97	Packing for reservoir (rubber), 200 mm long (R. VI). September 1962 - June 1964.	2
D 393-03	Pressure distribution block, 5 ways. Until July 1960.	1	DS 393-22	Unit tube, only, nylon, for reservoir (R. VI). Since March 1957.	1	D 433-90	Joint, rubber, 36 x 40 x 3.7, between control valve and main accumulator.	1
<u>DM 393-03</u>	Pressure distribution block. Mechanical control.	1	DM 393-23	Cap for reservoir with filter (R. VI). Export. Since June 1960.	1	DS 453-119	Ring seal, 37 x 44 x 3.5, for unit tube. Since March 1957.	1
DS 393-03	Pressure distribution block, 3 ways. Since July 1960.	1	DS 393-61	Spring retaining nylon tube for reservoir (R. VI). Since March 1957.	1	83-S	Screw, countersunk head, 4 diameter x 10 long, for retaining plate on control valve (R. III).	1
DS 393-05a	Reservoir complete for pump supply (3 pipes at the lower part, 1 pipe at the upper part, return to corrector), inscription in English. July 1960 - September 1960.	1	D 393-69	Plunger for pressure distribution block, 8.5 mm long.	2	135-S	Screw, round head, 5 diameter x 40 long, securing reservoir (R. III).	2
D 393-2	Gauge tube only, on reservoir, nylon, 173 mm long (R. VI).	1	D 393-75	Strap, 15 x 549, securing reservoir (Fitting without packing, 539 mm long). Since June 1964.	2	480-S	Screw, hex. head, 7 diameter x 14 long, securing bracket for control valve (R. III). Until September 1962.	1
D 393-3	Filter only, for reservoir, height 245 mm, threaded 30 diameter x 150 pitch. Until March 1957.	1	D 393-85	Sealing washer, 30 x 34 x 4.5, for reservoir filter (R. VI). Until March 1957.	1	482-S	Screw, hex. head, 7 diameter x 12.5 long, securing control valve on bracket (R. III). Until December 1960.	1
DS 393-3	Filter only, for reservoir, nylon, height 224 mm (R. VI). Since March 1957.	1	DS 393-85	Sealing washer, rubber, 35 x 40 x 5 for reservoir nylon filter (R. VI). Since March 1957.	1	484-S	Screw, hex. head, 7 diameter x 17.5 long, securing control valve on bracket (R. III). December 1960 - November 1964.	1
			D 393-87	Distance piece, 5.5 x 16 x 4, for pressure distribution block. Until July 1960.	2	485-S	Screw, hex. head, 7 diameter x 20 long, for clip on control valve (R. III). Until February 1959. - for bracket of control valve. Since November 1964.	1
			DM 393-87	Distance piece, 5.5 x 16 x 8, for pressure distribution block. Since July 1960.	2	489-S	Screw, hex. head, 7 diameter x 30 long (R. III); - for collar on control valve, Since February 1959. - for bracket of control valve. Since November 1963.	1
			D 393-90	Joint, 16 x 18.8 x 2 for cap of pressure distribution block.	2	<u>705</u>	Packet of joints for renewal on pressure regulator - accumulator.	1
			D 393-91	Spring for rear suspension valve, internal diameter 6.2 mm.	1	842-S	Screw, hex. head, 10 x 15, for securing control valve bracket (R. III). Since September 1962.	1

SUSPENSION-CONTROL VALVE-ACCUMULATORS-RESERVOIR-DISTRIBUTION UNIT-171

NUMBER	DESCRIPTION	No. OFF	NUMBER	DESCRIPTION	No. OFF	NUMBER	DESCRIPTION	No. OFF
2.319-S	Nut, hex. , 5 diameter x 75 pitch, securing reservoir (R. III).	2	4.113-S	Ball, 7.5 mm for bleed screw on control valve (R. VI).	1	355.874	Joint, rubber, 5 x 11 x 30, for gauge tube on reservoir (R. II).	2
2.491-S	Nut, hex. , 7 diameter x 100 pitch, securing clip on control valve (R. III).	1	4.903-S	Ring seal, 8.9 x 12.7 x 1.9, for control valve piston (R. VI).	1	355.876	Cap for reservoir, diameter of vent hole 1.6 mm (R. VI).	1
2.707-S	Ball, 6 mm diameter for control valve (fluid passage pump to sphere) (R. VI).	1	4.960-S	Ring seal, 37.5 x 42.4 x 2.45, for plug on control valve (R. III). Since December 1960.	1	550.886	Joint, rubber, 34 x 45, for reservoir outlet plug and cap (R. VI).	2
2.714-S	Ball, 9.52 mm for distribution block (R. VI).	2	89.156	Screw, hex. head, 5 diameter x 40 long, securing distribution block (R. III).	2	619.069	Washer, 7.5 x 20 x 1, for screws securing brake accumulator flange (R. II). Until July 1960.	2
2.989-S	Clip P. C. with pin, 245 mm long for cap DS 391-66 (R. VI).	1	355.288	<i>Outlet plug on reservoir, 16 mm diameter hole (R. VI). Until March 1957. No longer supplied.</i>	1	621.042	Screw, hex. head, 7 diameter x 85 long, securing flange for brake accumulators (R. II). Until July 1960.	2
4.104-S	Ball, 8.5 mm for brake accumulator (R. VI).	1	355.297	<i>Clip securing control valve, 14 mm wide, 56 mm diameter (R. II). Until February 1959. No longer supplied.</i>	1			

174-FRONT SUSPENSION-CYLINDERS-CORRECTOR-ANTI-ROLL BAR



172-FRONT SUSPENSION-CYLINDERS-CORRECTOR-ANTI-ROLL BAR

NUMBER	DESCRIPTION	No. OFF	NUMBER	DESCRIPTION	No. OFF	NUMBER	DESCRIPTION	No. OFF
D 413-81	Spring for anti-roll bar ball pin, external diameter 25.5 mm. Since October 1959.	2	<u>DS 434-5d</u>	Shield for suspension mechanism, right-hand, (lateral part) (fitting with wide tread tyres). October 1964 - July 1965.	1	<u>DS 434-106a</u>	Shield for suspension mechanism, left-hand (lower part) fitting with wide tread tyres. October 1964 - July 1965.	1
DS 433-01c	Sphere for suspension (without damper).	2	<u>DS 434-5e</u>	Shield for suspension mechanism, right-hand (fitting with wide tread tyres) R.H. steering. Since October 1964.	1	<u>DX 434-106</u>	Shield for suspension mechanism, left-hand, (lower part). Since July 1965.	1
D 433-85	Sleeve for suspension sphere, left-hand, threaded 36 diameter x 150 pitch.	1	<u>DX 434-5a</u>	Shield for suspension mechanism, left-hand, (lateral part). Since July 1965.	1	D 434-107	<i>Shield for suspension mechanism, right-hand (lower part). Until October 1964. Replaced by DS 434-107a.</i>	1
D 433-90	Joint, rubber, 36 x 40 x 3.7, between cylinder and suspension sphere.	3	<u>DX 434-5b</u>	Shield for suspension mechanism, right-hand (lateral part). Since July 1965.	1	<u>DS 434-107a</u>	Shield for suspension mechanism, right-hand (lower part) fitting with wide tread tyres. October 1964 - July 1965.	1
DS 434-02	<i>Suspension cylinder, front, left-hand. Since May 1958. Replaces earlier model, order in addition: 1-DS 435-30a, 1-DS 435-35, 1-DS 435-36, 2-D 391-105, 2-614.007 (R. VI). Replaced by DS 434-02b, order in addition: 1-DS 391-147a (R. VI), 1-D 434-62a, 2-D 391-105, 2-2.854-S (R. VI), 2-2.555-S (R. VI).</i>	1	DS 434-57	Washer, rubber, sealing suspension mechanism, 20 x 44 x 13.	2	<u>DX 434-107</u>	Shield for suspension mechanism, right-hand, (lower part). Since July 1965.	1
DS 434-02a	Front suspension cylinder, right-hand. Since May 1958. Replaces previous type; order in addition: 1-DS 435-146.	1	D 434-62a	Protective ring under clip on return from cylinder to reservoir, internal diameter 11.5 mm.	2	DS 435-02d	Height corrector (with rapid return). Since May 1962. Replaces previous type.	1
DS 434-04	Nut, with cup and joint, 54 diameter x 150 pitch, for suspension cylinder.	2	D 434-63	Protective ring under clip tightening rubber dust cover on cylinder (control lever side), internal diameter 25 mm.	2	D 435-20	Diaphragm for corrector, external diameter 54 mm. Until May 1962.	2
D 434-3	Suspension piston rod with pin.	2	D 434-65	Protective ring under clip tightening rubber dust cover on cylinder (cylinder side).	2	DS 435-20	Diaphragm for height corrector, 3 mm hole on 6.2 mm length, Since May 1962.	2
D 434-5	<i>Shield for suspension mechanism, left-hand (lateral portion). Until October 1964. Replaced by DS 434-5c.</i>	1	D 434-68	Pin connecting piston rod with lever (2 mm diameter wire).	2	DS 435-23	Anti-roll bar with end pieces, 1 threaded 14 diameter x 125 left-hand pitch, 1 threaded 14 diameter x 125 right-hand pitch. Since February 1962. Replaces previous types; order in addition: 1-DS 435-175.	1
D 434-5a	<i>Shield for suspension mechanism, right-hand (lateral portion). L.H. steering. Until October 1964. Replaced by DS 434-5d.</i>	1	D 434-76a	Sealing washer, felt, 34.5 x 46.5 x 6 for suspension cylinder.	2	DS 435-39a	Anti-rattle spring, left-hand, for anti-roll bar. May 1958 - July 1965.	1
DS 434-5b	<i>Shield for suspension mechanism, right-hand. R.H. steering. Until October 1964. Replaced by DS 434-5e.</i>	1	D 434-79a	Cup for front suspension cylinder.	2	<u>DX 435-39a</u>	Anti-rattle spring for anti-roll bar, length of securing clip 125 mm. Since July 1965.	2
<u>DS 434-5c</u>	Shield for suspension mechanism, left-hand, (lateral part) (fitting with wide tread tyres). October 1964 - July 1965.	1	D 434-86	Dust cover, rubber, for cylinder, internal diameter 19 mm and 52 mm.	2	DS 435-40a	Anti-rattle spring, right-hand, for anti-roll bar. May 1958 - July 1965.	1
			D 434-94a	Sealing joint for cylinder (34.4 x 44.5).	2	DS 435-45	Valve for height corrector, 5.85 x 25 x 0.20 (R. VI). Since May '62.	2
			D 434-106	<i>Shield for suspension mechanism left-hand (lower part). Until October 1964. Replaced by DS 434-106a.</i>	1	DS 435-46	Spring for height corrector valve. Since May 1962.	2

FRONT SUSPENSION-CYLINDERS-CORRECTOR-ANTI-ROLL BAR-175

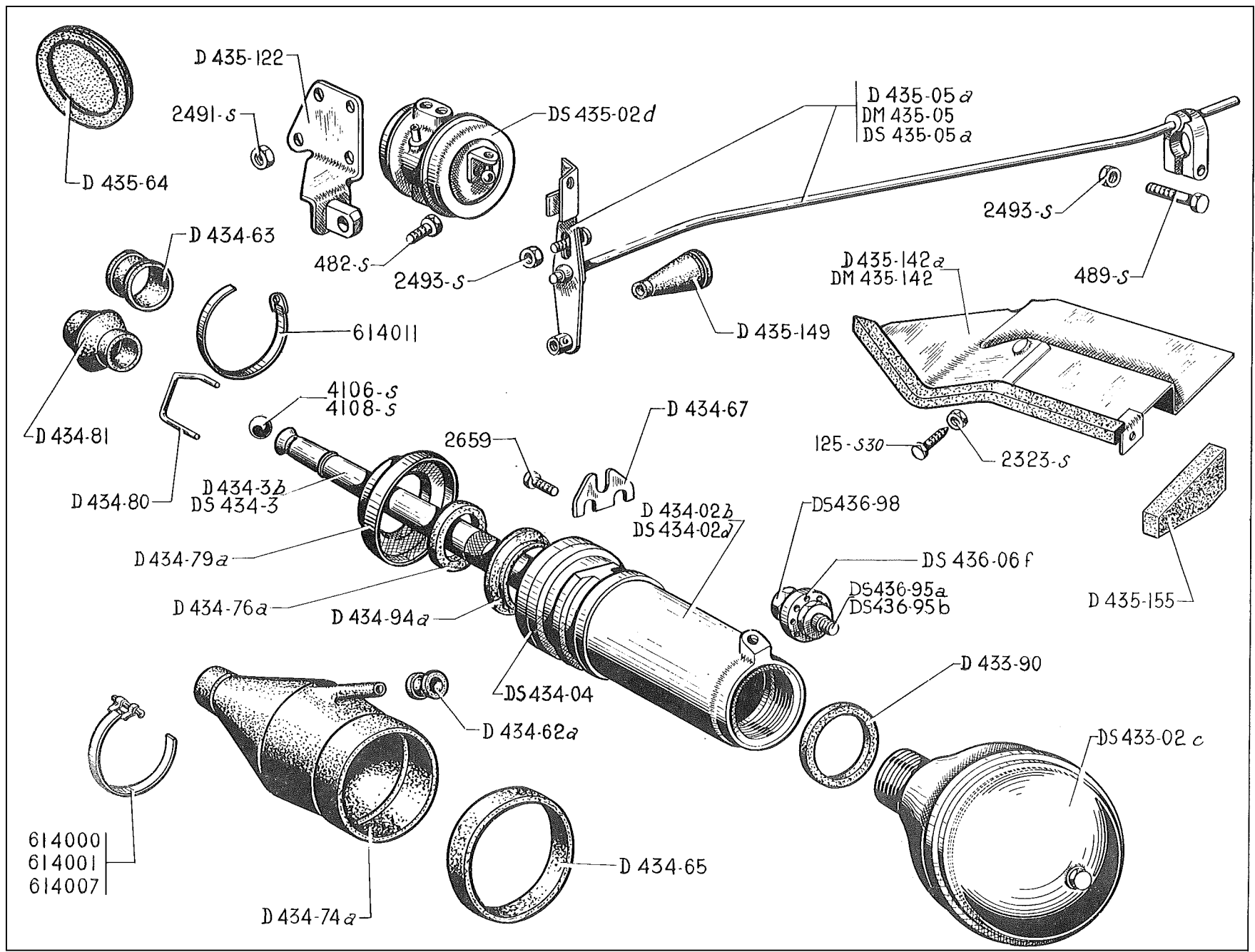
NUMBER	DESCRIPTION	No. OFF	NUMBER	DESCRIPTION	No. OFF	NUMBER	DESCRIPTION	No. OFF
DM 435-51b	Control rod complete for corrector. Since November 1957. Replaces previous type; order in addition: 1-DM 437-112 (R. VI), 1-D 437-101, 1-2. 319-S (R. III).	1	DS 435-82	Interior cup for tightening height corrector diaphragm, 4.9 mm thick. Since May 1962.	2	DS 435-148	Nut, tightening anti-roll bar ball pin cup, threaded 30 diameter x 150 pitch.	2
<u>DX 435-51a</u>	Control rod for corrector, thickness of control lever 4 mm. Since July 1965.	1	D 435-96	Cup for corrector, diameter 5 x 36, thickness 1.5 mm.	2		Shim for adjusting anti-roll bar bearing:	As nec.
D 435-55	Corrector bracket, 2 slots 7.75 mm. Until April 1959.	1	D 435-111	Half bearing, lower, (nylon), for anti-roll bar, 54 mm long (R. VI). Until July 1965.	2	D 435-153	1 mm thick.	
DS 435-55	Corrector bracket, holes 7.75 mm to 36 mm between centres. April 1959 - July 1965.	1	D 435-111a	Half bearing, upper, (Nylon), for anti-roll bar, 52 mm long (R. VI). Until July 1965.	2	D 435-153a	0.95 mm thick.	
<u>DX 435-55</u>	Bracket for front corrector, 2 securing holes 46.9 mm between centres. Since July 1965.	1	D 435-111a	Half bearing, upper, (Nylon), for anti-roll bar, 52 mm long (R. VI). Until July 1965.	2	D 435-153b	0.90 mm thick.	
D 435-58	"U" bolt, front, securing anti-roll bar bearing, 72 mm between centres.	2	<u>DX 435-111</u>	Half bearing, lower, for anti-roll bar (Nylon) 2 internal grooves, (R. VI). Since July 1965.	2	D 435-153c	0.85 mm thick.	
D 435-58a	"U" bolt, rear, securing anti-roll bar bearing, 83 mm between centres.	2	<u>DX 435-111a</u>	Half bearing, upper, for anti-roll bar (Nylon) 2 holes 3 mm, 2 internal grooves (R. VI). Since July 1965.	2	D 435-153d	0.80 mm thick.	
D 435-64	Rubber cover for corrector adjustment hole, 58 mm diameter, 8 mm thick. Until May 1957.	1	DS 435-112a	Bearing cap, right-hand, for anti-roll bar with half bearing and dowel. November 1956 - July 1965.	1	D 435-153e	0.75 mm thick.	
DS 435-70	Collar complete for anti-roll bar thrust.	2	DS 435-112b	Bearing cap, left-hand, for anti-roll bar with half bearing and dowel. November 1956 - July 1965.	1	D 435-153f	0.70 mm thick.	
D 435-80a	Cup for corrector, diameter 5.5 x 37, thickness 5.5 mm. Until May 1962.	2	<u>DX 435-112</u>	Bearing cap for anti-roll bar, left-hand, with half bearing and dowel (arrangement with lubricator). Since July 1965.	1	D 435-153g	0.65 mm thick.	
D 435-82	Cup for corrector, diameter 32 x 58.5, thickness 12.5 mm. February 1960 - May 1962.	2	<u>DX 435-112a</u>	Bearing cap for anti-roll bar, right-hand, with half bearing and dowel (arrangement with lubricator). Since July 1965.	1	DS 435-167	Sleeve retaining seal for corrector, external diameter 61 mm. Since February 1960.	2
			DS 435-147	Thrust cup and ball pin for anti-roll bar, 26 mm diameter, thickness 5.40 mm.	2	DS 435-168	Rubber sealing cup for corrector (nut side), diameter 49 x 63, Since February 1960.	1
						DS 435-169	Rubber sealing cup for corrector (yoke side), diameter 49 x 63 mm, 1 hole 8 mm diameter. Since February 1960.	1
						DS 435-172	Lateral rubber stop for anti-rattle spring, 5.5 x 27 x 12. Since May 1958.	2
						DS 435-174	Bearing, nylon, for anti-rattle spring, 65 mm long (R. VI). May 1958 - July 1965.	2
						<u>DX 435-174</u>	Bearing, nylon, for anti-rattle spring for anti-roll bar, 2 dowels 7.85 mm diameter x 4 mm high (R. VI). Since July 1965.	2
						DS 435-175	Coupling sleeve, for anti-roll bar, right-hand, threaded 14 diameter x 125 right-hand pitch, 61.5 mm long. Since February 1962.	1
						DS 436-06e	Damper (with hole for feed). Without mark. Since April 1963. Replaces previous type.	2

The numbers underlined indicate new parts which do not appear on the illustration.

176-FRONT SUSPENSION-CYLINDERS-CORRECTOR-ANTI-ROLL BAR

NUMBER	DESCRIPTION	No. OFF	NUMBER	DESCRIPTION	No. OFF	NUMBER	DESCRIPTION	No. OFF
<u>DS 436-07c</u>	Set of valves for front damper. Since April 1963.	2	483-S	Screw, hex. head, 7 diameter x 15 long, securing corrector bracket (R. III).	2	4.737-S	Greaser, straight, for anti-roll bar (R. VI). Since June 1961.	2
<u>DS 436-07e</u>	Set of valves for front damper (reinforced). Since April 1963.	2	487-S	Screw, hex. head, 7 diameter x 25 long (R. III) securing: - collar for corrector control rod. Until November 1958. - collar for anti-roll bar thrust.	1 2	39.827	Plain washer, 5.2 x 20 x 2, for lateral stop for anti-rattle spring (R. IV). Since May 1958.	2
DS 436-95a	Stud, 7 diameter x 30.5 mm long, for damper. June 1962 to April 1963. Replaces previous type.	2	489-S	Screw, hex. head, 7 diameter x 30 long, securing clip on adjustment sleeve for anti-roll bar (R. III).	4	490.708	Screw, round head, 7 diameter x 22.5 long, for clip for corrector control rod (R. I). Since November 1958.	1
DS 436-95b	Spindle for damper, 31 mm long, threaded 7 diameter x 100 pitch, length of machined portion 8.9 mm. Since April 1963. Replaces previous type.	2	2.319-S	Nut, hex., 5 diameter x 75 long, securing lateral stop for anti-rattle spring (R. III). Since May 1958.	2	614.000	Clip securing cylinder dust cover, 474 mm long (R. VI).	2
DS 436-98	Nut, hex., 7 diameter x 100 pitch, 8.2 mm thick for damper. Since June 1962.	4	2.491-S	Nut, hex., 7 diameter x 100 pitch (R. III) securing: - clip on adjustment sleeve for anti-roll bar bearing. - anti-roll bar bearing.	4 8	614.001	Clip securing return from cylinder to reservoir, 132 mm long (R. VI).	2
DS 443-10	Sleeve, adjustable, for anti-roll bar, threaded 14 diameter x 125 left and right-hand pitch, length 80 mm. Since February 1962.	2 1	2.493-S	Nut, hex., 7 diameter x 100 pitch (R. III): - for eccentric pin operating corrector. - for securing cylinder.	1 4	614.011	Clip securing cylinder dust cover (control lever side), 240 mm long (R. VI).	2
D 443-70	Clip securing adjustment sleeve, for anti-roll bar.	4	2.668-S	Screw, P.K. round head, 3.5 x 10, securing shield protecting suspension mechanism (R. VI).	4	615.714	Nut, securing suspension mechanism screen (R. VI).	4
125-S 30	Screw, round head, pointed, 5 diameter x 15 long, securing shield for suspension mechanism (R. III).	14	4.106-S	Ball, 14.28 diameter for cylinder piston rod (R. VI).	2	620.525	Circlips for height corrector valve, 5 x 9.85 x 0.6 (R. VI). Since May 1962.	2
129-S	Screw, round head, 5 diameter x 25 long, securing lateral buffer of anti-rattle spring (R. III). Since May 1958.	2				621.045	Screw, hex. head, 7 diameter x 28 long, securing cylinder (R. II).	4
482-S	Screw, hex. head, 7 diameter x 12.5 long, securing corrector on bracket (R. III).	2						

178-REAR SUSPENSION-CYLINDERS-CORRECTOR



REAR SUSPENSION-CYLINDERS-CORRECTOR-179

NUMBER	DESCRIPTION	No. OFF	NUMBER	DESCRIPTION	No. OFF	NUMBER	DESCRIPTION	No. OFF
DS 433-02c	Sphere for suspension (without damper).	2	D 434-76a	Felt sealing washer for suspension cylinder, 34.5 x 46.5 x 6.	2	DM 435-142	Protection panel for corrector. Since February 1958.	1
D 433-90	Joint, rubber, 36 x 40 x 3.7, between cylinder and sphere.	2	D 434-79a	Cup for suspension cylinder.	2	D 435-149	Sealing sleeve on corrector control rod, 6 x 36 x 60.	1
D 434-02b	Suspension cylinder. Until May 1960.	2	D 434-80	Pin connecting piston rod with lever, 3 mm diameter wire.	2	D 435-155	Sealing pad rubber, between body and corrector protection panel (R. VI). Since October 1956.	1
DS 434-02d	Suspension cylinder (arrangement with 15.875 mm diameter ball). Since May 1960.	2	D 434-81	Rubber dust cover for piston rod.	2	DS 436-06f	Damper (with drain hole) without mark. Since April 1963. Replaces previous type.	2
DS 434-04	Nut, 54 diameter x 150 pitch, with cup and joint for suspension cylinder.	2	D 434-94a	Sealing joint for cylinder (34.4 x 44.5).	2	<u>DS 436-07d</u>	Set of valves for rear damper. Since April 1963.	2
D 434-3b	Piston rod for suspension cylinder. Until May 1960.	2	DS 435-02d	Height corrector with rapid return. Since May 1962. Replaces previous type.	1	<u>DS 436-07f</u>	Set of valves for rear damper, (reinforced). Since April 1963.	2
DS 434-3	Piston rod for suspension cylinder, (arrangement with 15.875 mm diameter ball). Since May 1960.	2	D 435-05a	Control rod complete for corrector (arrangement with height variation control). Until November 1957,	1	DS 436-95a	Stud, 7 diameter x 30.5 long, for damper. June 1962 - April 1963. Replaces previous type.	2
D 434-62a	Protective ring under tightening clip for return from cylinder to reservoir, internal diameter 11.5 mm.	2	DM 435-05	Control rod complete for rear corrector (arrangement with 17 mm diameter anti-roll bar). Since February 1958.	1	DS 436-95b	Stud for damper, 31 mm long, threaded 7 diameter x 100 pitch, length of machined portion 8.9 mm. Since April 1963.	2
D 434-63	Protective ring under tightening clip for piston rod dust cover, internal diameter 25 mm.	2	DS 435-05a	Control rod complete for rear corrector (arrangement with ID 19 height variation control). November 1957 - February 1958.	1	DS 436-98	Nut, hex., 7 diameter x 100 pitch, 8.2 mm thick for damper. Since June 1962. Replaces previous type.	4
D 434-65	Flexible protective ring under clip securing dust cover to cylinder (cylinder side).	2	D 435-64	Rubber cover for corrector adjustment control passage, 58 mm diameter, 8 mm thick. Until May 1957.	1	125-S 30	Screw, round head, pointed, 5 diameter x 15 long, securing corrector protection panel (R. III). Since October 1956.	2
D 434-67	Plate retaining suspension cylinder.	2	D 435-122	Corrector bracket with bearing.	1	482-S	Screw, hex. head, 7 diameter x 12.5 long, securing corrector on its bracket (R. III).	2
D 434-74a	Dust cover, rubber for cylinder, internal diameter 52 mm.	2	D 435-142a	Protection panel for corrector. October 1956 - February 1958.	1	489-S	Screw, hex. head, 7 diameter x 30 long, tightening clip for corrector rod (R. III).	1
						2.323-S	Nut, hex., 5 diameter x 75 pitch, securing corrector protection panel (R. III). Since October 1956.	1

The numbers underlined indicate new parts which do not appear on the illustration.

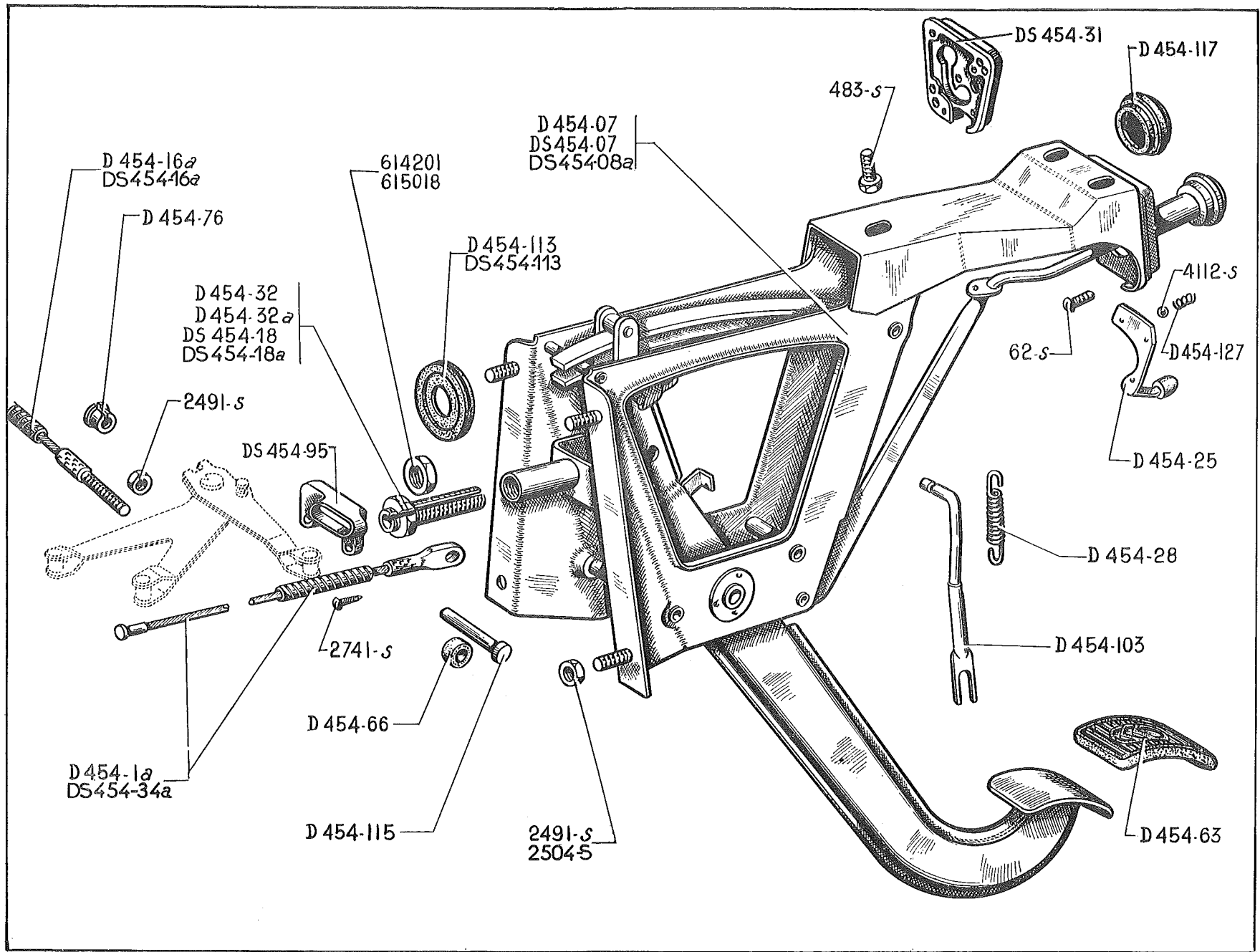
180-REAR SUSPENSION-CYLINDERS-CORRECTOR

NUMBER	DESCRIPTION	No. OFF
2.491-S	Nut, hex., 7 x 100 for securing corrector bracket (R. III).	2
2.493-S	Nut, hex., 7 x 100 (R. III) securing: - clip for corrector control rod. - eccentric pin operating corrector.	1 1
2.659	Screw, hex. head, 5 diameter x 13 long, for securing retaining plate for cylinder (R. III).	2

NUMBER	DESCRIPTION	No. OFF
4.106-S	Ball, 14.28 mm diameter for cylinder piston rod (R. VI). Until May 1960.	2
4.108-S	Ball, 15.875 mm diameter for cylinder piston rod (R. VI). Since May 1960.	2
614.000	Clip securing cylinder dust cover, 474 mm long (R. VI).	2

NUMBER	DESCRIPTION	No. OFF
614.001	Clip securing return pipe from cylinder to reservoir, 132 mm long (R. VI).	2
614.007	Clip securing cylinder dust cover, 190 mm long (R. VI).	2
614.011	Clip securing piston rod dust cover, 240 mm long (R. VI).	2

182-MECHANICAL BRAKE CONTROL



D 454-16a
DS 454-16a

D 454-76

D 454-32
D 454-32a
DS 454-18
DS 454-18a

2491-s

DS 454-95

614201
615018

D 454-113
DS 454-113

D 454-07
DS 454-07
DS 454-08a

483-s

DS 454-31

D 454-117

4112-s

62-s

D 454-127

D 454-25

D 454-28

D 454-103

D 454-66

D 454-115

2491-s

2491-s
2504-5

D 454-1a
DS 454-34a

D 454-63

MECHANICAL BRAKE CONTROL-183

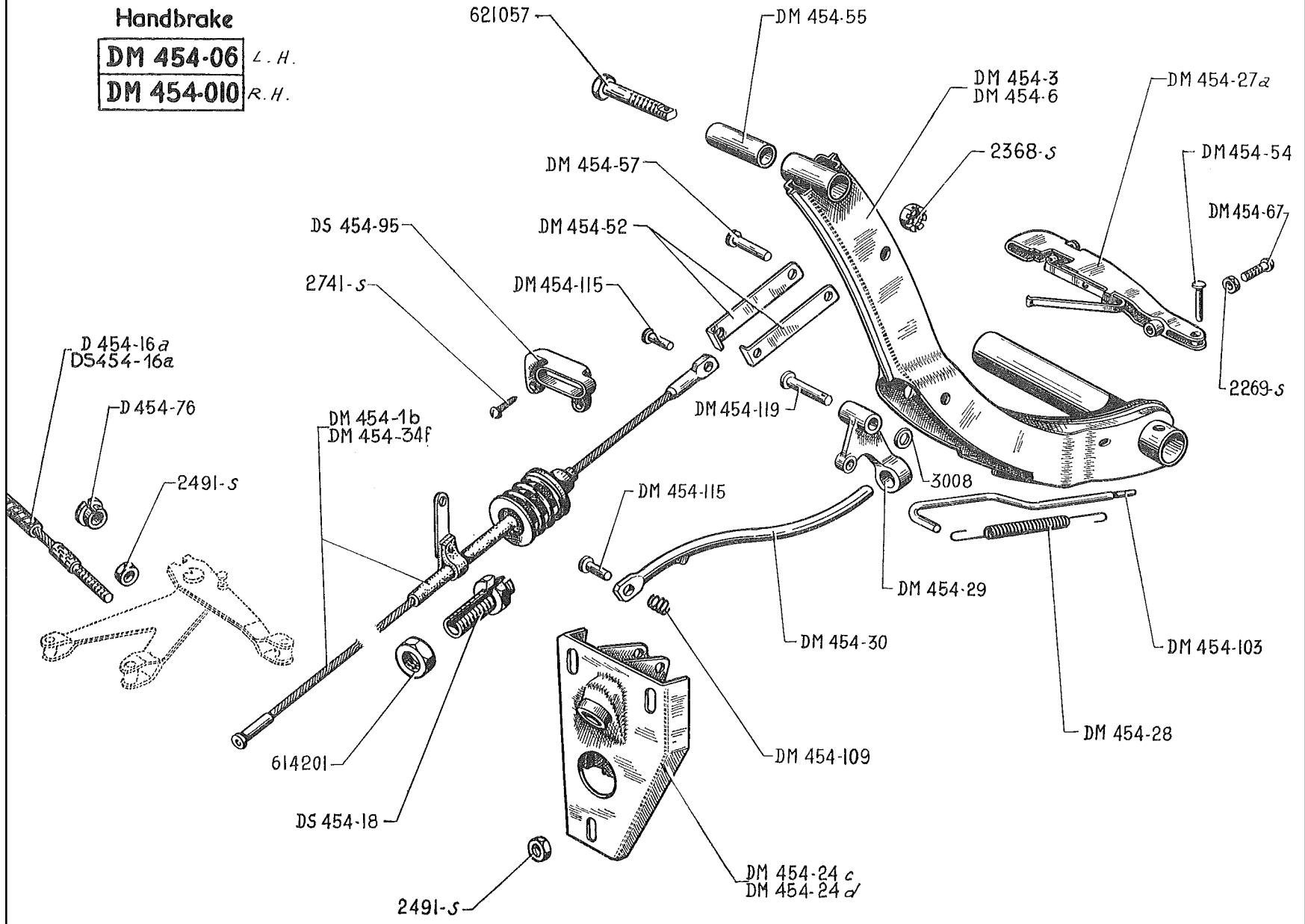
NUMBER	DESCRIPTION	No. OFF	NUMBER	DESCRIPTION	No. OFF	NUMBER	DESCRIPTION	No. OFF
D 454-07	<i>Mechanical brake control with pedal and release lever. Until April 1958. Replaced by DS 454-07; order in addition: 1-DS 454-18, 1-614.201 (R. II).</i>	1	DS 454-31	Positioning grille for locking lever (R. VI).	1	<u>DX 454-115</u>	Clevis pin for brake cable, 7 mm diameter x 51 mm long. Since July 1965.	1
DS 454-07	Mechanical brake control with pedal and release lever (threaded for sheath stop, 16 diameter x 150 pitch). L. H. steering. April 1958 - July 1965.	1	D 454-32	Adjustable sheath stop for brake cable, threaded 14 diameter x 150 pitch, 50 mm long, internal diameter 9.5 mm. Until January 1956.	1	D 454-117	Cap, rubber, for knob operating brake release, internal diameter 16.5 mm.	1
<u>DS 454-07a</u>	Mechanical brake control with pedal and release lever, securing screw centres 125 mm and 69 mm. Since July 1965.	1	D 454-32a	Adjustable sheath stop for brake cable, threaded 14 diameter x 150 pitch, 50 mm long, internal diameter 10.2 mm. January 1956 - April 1958.	1	D 454-127	Thrust spring for ball in release lever, external diameter 3.5 mm (R. VI).	1
DS 454-08a	Mechanical brake control with pedal and release lever (threaded 16 diameter x 150 pitch). R. H. steering.	1	DS 454-34a	Brake cable with securing clip, 1200 mm long. Length of sheath: 945 mm (R. VI), R. H. steering.	1	62-S	Screw, round head, 4 diameter x 7.5 long, securing grille for positioning brake release lever (R. III).	3
D 454-1a	Brake cable, 800 mm long. L. H. steering.	1	D 454-63	Pad, rubber, for brake pedal.	1	483-S	Screw, hex. head, 7 diameter x 15 long, securing brake operating control (R. III). L. H. steering. R. H. steering.	3 2
D 454-16a	Brake connecting cable, 620 mm long (R. VI).	1	D 454-66	Stop, rubber, for brake pedal, 7 x 18 x 14. Until July 1965.	2	<u>2.491-S</u>	Nut, hex., 7 diameter x 100 pitch (R. III) securing: - brake control, L. H. steering. - brake control, R. H. steering. - brake connecting cable.	4 2 2
DS 454-16a	Handbrake connecting cable with balls (R. VI) (Germany). Since October 1963.	1	<u>DX 454-66</u>	Stop, rubber, for brake pedal (7 x 18 x 16). Since July 1965.	2	2.504-S	Nut, square, 7 x 100 for securing the brake control (R. III). R. H. steering.	2
DS 454-18	Adjustable sheath stop for brake cable, threaded 16 diameter x 150 pitch, 10.2 mm internal diameter. L. H. steering. Since April 1958.	1	D 454-76	End piece for sheath on connecting brake cable, internal diameter 8.5 mm, length 18 mm.	2	2.741-S	Screw, P. K. round head, 4.85 x 9.5, securing eyelet for protection of mechanical brake cable (R. VI). L. H. steering.	2
DS 454-18a	Adjustable sheath stop for brake cable, threaded 16 diameter x 150 pitch, 9.5 mm internal diameter (R. VI). R. H. steering.	1	DS 454-95	Eyelet protecting mechanical brake cable (R. VI).	1	4.112-S	Ball, 3.968 mm diameter for locking release lever (R. VI).	1
D 454-25	Lock for release lever.	1	D 454-103	Link connecting control lever and lock, 111 mm long.	1	614.201	Nut, hex., 16 diameter x 150 pitch, locking adjustable stop (R. II). Since April 1958.	1
D 454-28	Return spring for lock, external diameter 10.5 mm.	1	D 454-113	Grommet, rubber, for adjustable stop, 17 x 38 x 4.	1	615.018	Nut, hex., 14 diameter x 150 pitch, locking adjustable stop (R. II). Until April 1958.	1
			DS 454-113	Cap, sealing, rubber, for brake control, 80 x 45 x 1 with 18 mm hole (R. VI). R. H. steering.	1			
			D 454-115	Clevis pin for brake cable, 7 mm diameter, 45 mm long. Until July 1965.	1			

The numbers underlined indicate new parts which do not appear on the illustration.

Catalogue No. 466 - March 1966.

Handbrake

DM 454-06	<i>L. H.</i>
DM 454-010	<i>R. H.</i>



621057

DM 454-55

DM 454-3
DM 454-6

DM 454-27 a

DM 454-57

2368-s

DM 454-54

DS 454-95

DM 454-52

DM 454-67

2741-s

DM 454-115

2269-s

D 454-16 a
DS 454-16 a

DM 454-119

DM 454-1b
DM 454-34f

3008

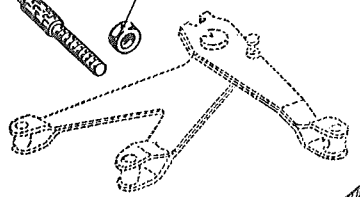
D 454-76

2491-s

DM 454-115

DM 454-29

DM 454-103



614201

DM 454-30

DM 454-109

DS 454-18

DM 454-28

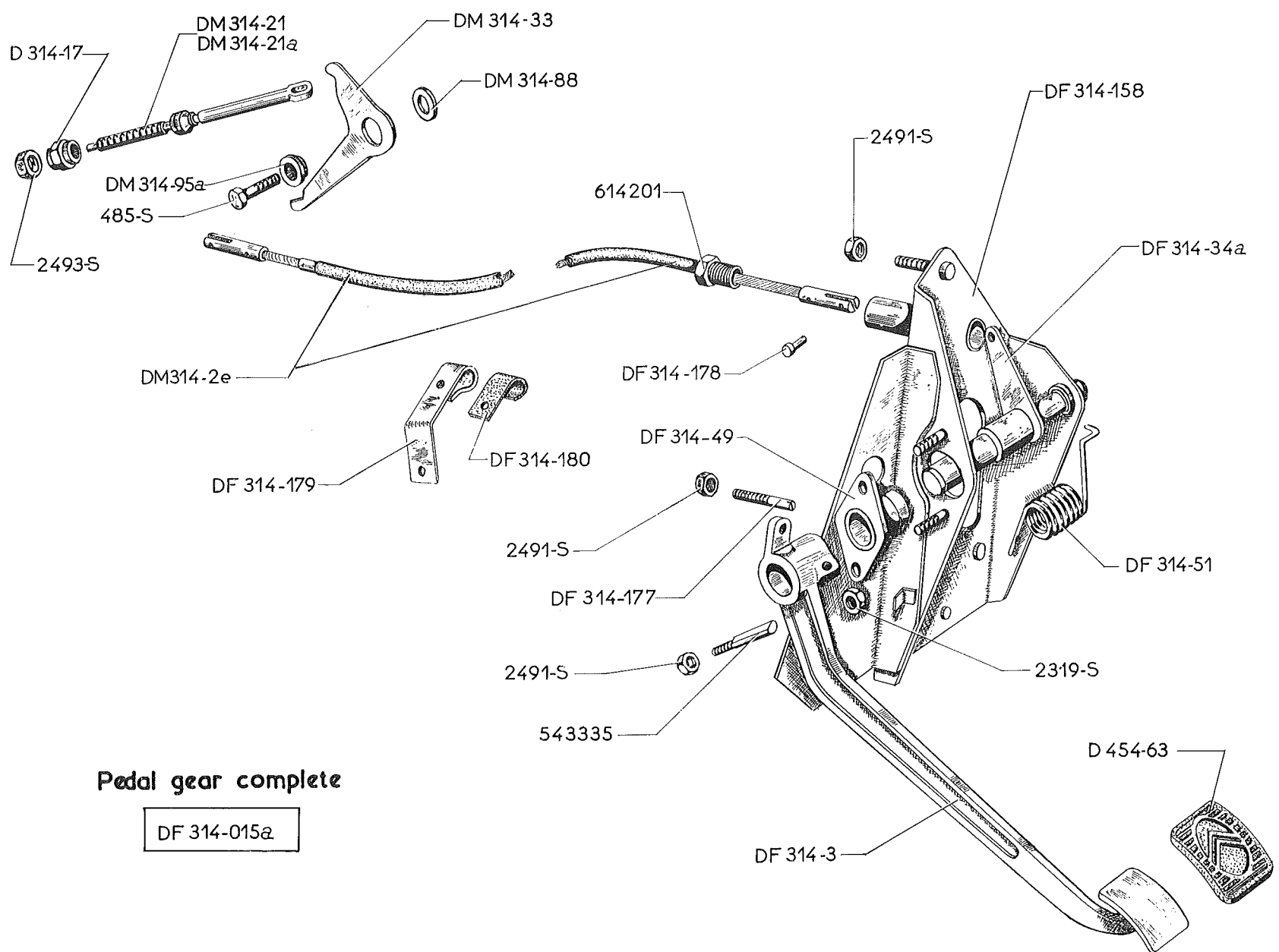
2491-s

DM 454-24 c
DM 454-24 d

184-HANDBRAKE-MANUAL GEAR CHANGE CONTROL

NUMBER	DESCRIPTION	No. OFF	NUMBER	DESCRIPTION	No. OFF	NUMBER	DESCRIPTION	No. OFF
DM 454-06	Lever for handbrake, complete with release handle. L. H. steering.	1	DM 454-27a	Release handle for handbrake.	1	DM 454-103	Release rod for handbrake.	1
DM 454-010	Lever for handbrake, complete with release handle. R. H. steering.	1	DM 454-28	Spring for handbrake lock, external diameter 8 mm.	1	DM 454-109	Retaining spring, for ratchet, for handbrake, internal diameter 7.3 mm.	2
DM 454-1b	Cable for mechanical brake, 910 mm long, length of sheath: 620 mm, L. H. steering.	1	DM 454-29	Lock for handbrake.	1	DM 454-115	Clevis pin, securing: - ratchet, for handbrake, 7 x 24. - brake cable.	1 1
DM 454-3	Lever for handbrake. L. H. steering.	1	DM 454-30	Ratchet for locking handbrake, 10 mm diameter.	1	DM 454-119	Clevis pin for handbrake lock, 6 x 38.5.	1
DM 454-6	Lever for handbrake. R. H. steering.	1	DM 454-34f	Brake cable with adjustable stop, length of sheath: 1.215. R. H. steering.	1	2.269-S	Nut, hex., 4 diameter x 75 pitch, for adjusting screw of handbrake release rod (R. III).	1
D 454-16a	Cable for connecting handbrake, 620 mm long (R. VI).	1	DM 454-52	Half tie-rod for handbrake cable, 97 mm long.	2	2.368-S	Nut, hex., castellated, 9 diameter x 125 pitch, securing handbrake lever (R. III).	1
DS 454-16a	Cable, with balls, for connecting handbrake (R. VI). (Germany). Since October 1963.	1	DM 454-54	Clevis pin for handbrake release handle, 4 x 23.	1	2.491-S	Nut, hex., 7 diameter x 100 pitch (R. III): - securing handbrake bracket. - handbrake connecting cable.	3 2
DS 454-18	Adjustable sheath stop for handbrake cable, threaded 16 diameter x 150 pitch, 50 mm long. (R. VI).	1	DM 454-55	Distance bush, 9 x 13 x 34, securing handbrake (R. VI).	1	2.741-S	Screw, round head, P. K. 4.85 x 9.5, securing grommet protecting handbrake cable (R. VI).	2
DM 454-24c	<i>Bracket for stop sleeve and for brake sector, length of bracket stop 50 mm. L. H. steering. Until January 1965. Replaced by DM 454-24d.</i>	1	DM 454-57	Clevis pin for handbrake cable, 7 x 26.2.	1	3.008	Washer, 6.25 x 12.1 for clevis pin, for handbrake lock (R. II).	1
DM 454-24d	Bracket for stop sleeve and for brake sector (2 holes 18 mm under upper slot). R. H. steering. Until July 1965. L. H. steering. January 1965 - July 1965.	1	DM 454-67	Screw, round head, 4 diameter x 16 long, for adjusting handbrake release rod.	1	614.201	Nut, hex., 16 diameter x 150 pitch, securing adjustable locking stop (R. II).	1
DM 454-24e	Bracket for stop sleeve and handbrake sector, securing screw centres 125 mm and 69 mm, 1 slot 18.35 x 12.35. L. H. steering. Since July 1965.	1	D 454-76	End sleeve, for sheath of handbrake connecting cable, internal diameter 8.5 mm, length 18 mm.	2	621.057	Screw, 9 diameter x 50 long, securing handbrake lever (R. II).	1
DM 454-24f	Bracket for stop sleeve and handbrake sector, securing screw centres 125 mm and 69 mm, 1 slot 18.35 x 12.35. R. H. steering. Since July 1965.	1	DS 454-95	Grommet, protecting brake cable (R. VI).	1			

186-PEDAL GEAR-MANUAL GEAR CHANGE CONTROL (LEFT-HAND STEERING)



Pedal gear complete

DF 314-015a

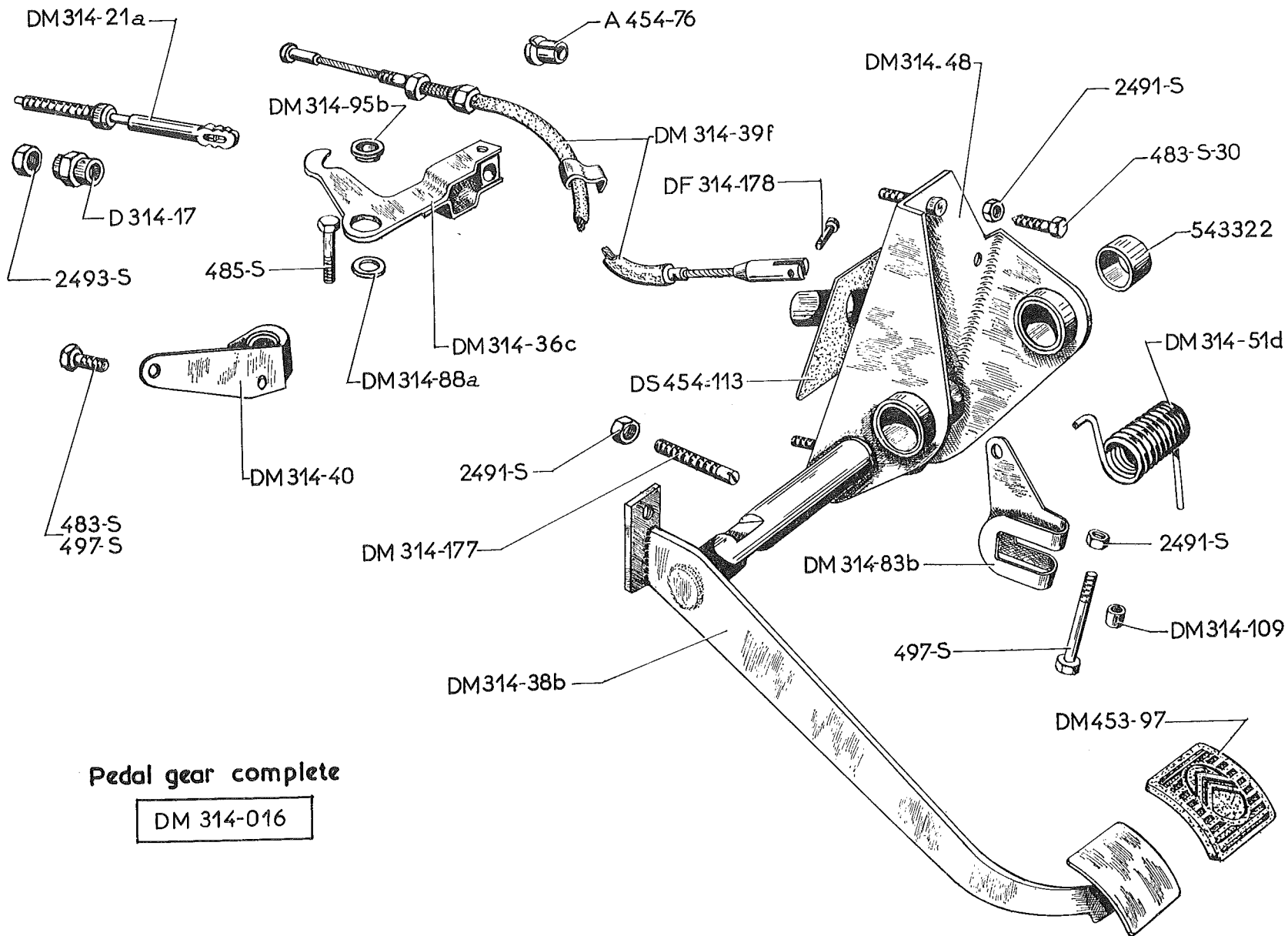
PEDAL GEAR-MANUAL GEAR CHANGE CONTROL (LEFT-HAND STEERING)-187

NUMBER	DESCRIPTION	No. OFF	NUMBER	DESCRIPTION	No. OFF	NUMBER	DESCRIPTION	No. OFF
DF 314-015a	Pedal gear complete with clutch pedal, thickness of lever 3.5 mm. Until June 1964.	1	DF 314-34a	Spindle for clutch pedal with lever, thickness of lever 3.5 mm x 114 mm long. Until June 1964.	1	DF 314-179	Clip for securing clutch cable.	1
<u>DF 314-015b</u>	Pedal gear complete. Since June 1964.	1	DF 314-49	Bearing, left-hand, for clutch pedal support, distance between both centres 44 mm. Until June 1964.	1	DF 314-180	Rubber covering for clutch cable, 14 x 58 x 1.5.	
DM 314-2e	Clutch cable, 590 mm long, end piece machined to 3.8 mm with pin (R. VI).	1	DF 314-51	Return spring for clutch pedal, right-hand winding, diameter of wire 3.3 mm. Until June 1964.	1	<u>D 453-129</u>	Support for sealing sleeve for pedal gear.	2
DF 314-3	Clutch pedal. Until June 1964.	1	<u>DM 314-51b</u>	Return spring for clutch pedal, right-hand winding, 11 coils. Since June 1964.	1	<u>DM 453-189</u>	Sealing covering for pedal gear (polyurethane). Since June 1964.	1
<u>DF 314-3c</u>	Clutch pedal. Since June 1964.	1	DM 314-88	Thrust washer, 7.2 x 22 x 2, for adjustable control lever push-rod.	1	D 454-63	Rubber cover for clutch pedal.	1
D 314-17	Nut, hex., 7 x 100 for adjusting clutch fork.	1	DM 314-95a	<i>Bearing for control lever of adjustable push-rod, 7.2 x 20 x 6.2. Until April 1964. Replaced by DM 314-95b.</i>	1	485-S	Screw, hex. head, 7 x 20, for securing control lever of clutch adjustable push-rod (R. III).	1
DM 314-21	<i>Push-rod, adjustable, for clutch, threaded 7 x 100, 136 mm long. Until February 1963. Replaced by DM 314-21a.</i>	1	<u>DM 314-95b</u>	Bearing for control lever of adjustable push-rod (7.2 x 20 x 7.2). Since April 1964.	1	2.319-S	Nut, hex., 5 x 75, for securing left-hand bearing (R. III). Until June 1964.	2
DM 314-21a	Push-rod, adjustable, for clutch, 7 x 100, 136 mm long (R. VI). Since February 1963.	1	<u>DM 314-109</u>	Distance piece for clutch control lever (7 x 10 x 12.6). Since June 1964.	1	2.491-S	Nut, hex., 7 x 100, for securing (R. III): - clutch pedal stop screw. Until June 1964. - stop screw for pedal. - bracket for pedal. Until June 1964. Since June 1964.	1 1 4 3
DM 314-33	<i>Control lever for adjustable clutch rod. Until April 1964. Replaced by DM 314-33a.</i>	1	DF 314-158	Support for clutch pedal. Until June 1964.	1	2.493-S	Nut, hex., 7 x 100, for locking nut on clutch fork adjustment (R. III).	1
<u>DM 314-33a</u>	Control lever for adjustable clutch rod, 72.5 and 42.5 centres x 3.75 mm thick. Since April 1964.	1	DF 314-158a	Support for clutch pedal with bearings for pedal spindle welded. Since June 1964.	1	543.335	Cotter pin, threaded 7 x 100 x 44 mm long, for clutch pedal (R. II).	1
			DF 314-177	Stop screw for clutch pedal, 41 mm long, wire 7 x 100 (R. VI).	1	614.201	Nut, hex., 16 x 150, for locking adjustable stop (R. II).	1
			DF 314-178	Spindle for attaching clutch cable, 5 mm diameter x 12 mm long.	1			

The numbers underlined indicate new parts which do not appear on the illustration.

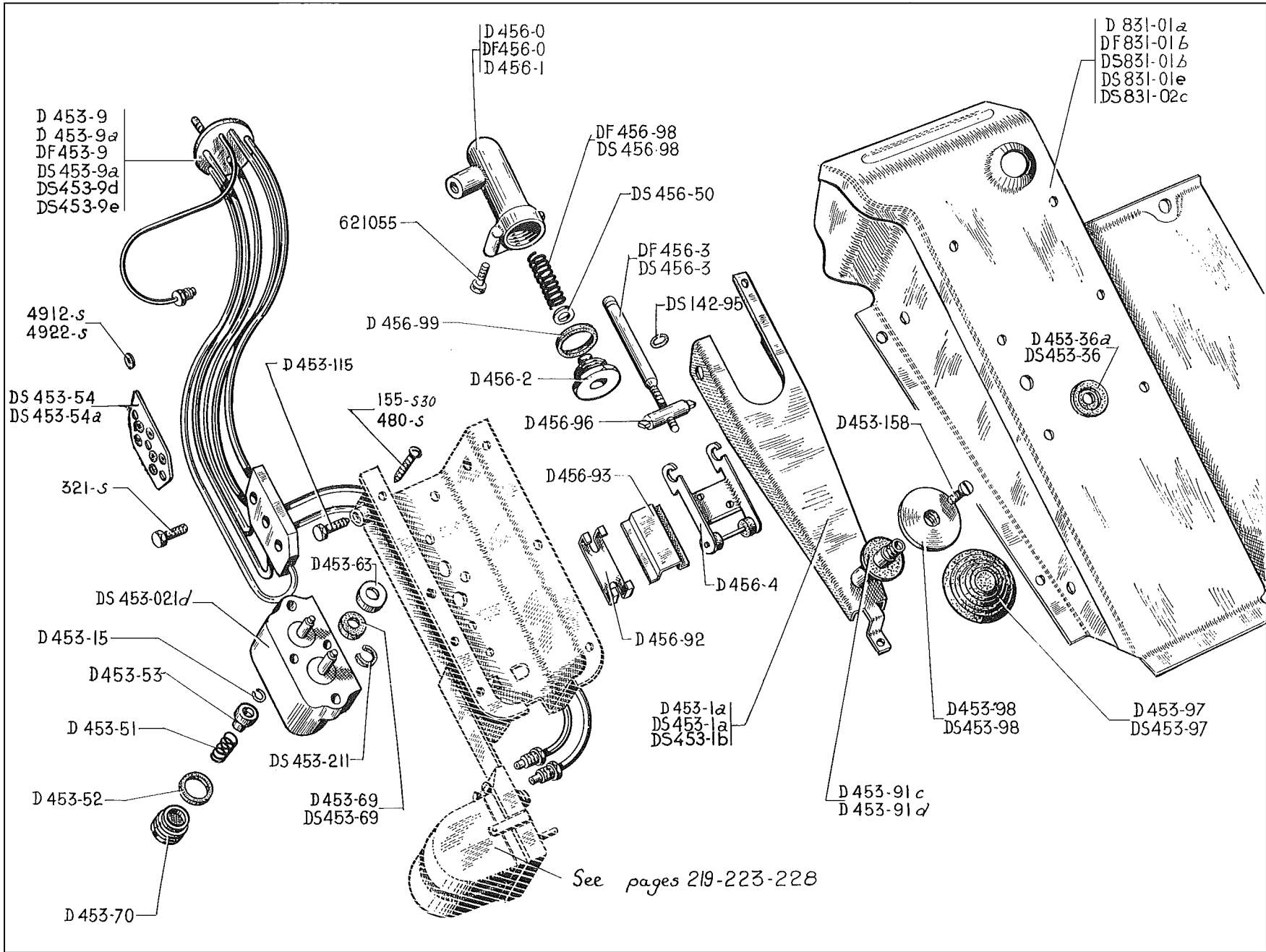
Catalogue No. 466 - June 1965.

PEDAL GEAR-MANUAL GEAR CHANGE CONTROL (RIGHT-HAND STEERING)-189



188-PEDAL GEAR-MANUAL GEAR CHANGE CONTROL (RIGHT-HAND STEERING)

NUMBER	DESCRIPTION	No. OFF	NUMBER	DESCRIPTION	No. OFF	NUMBER	DESCRIPTION	No. OFF
A 454-76	Stop, 8.5 x 12 x 17, of clutch cable sheath.	1	DM 314-51d	Spring, for clutch pedal, left-hand winding, 11 turns (R. VI).	1	483-S	Screw, hex. head, 7 x 15, for securing articulating bracket of the control lever of the adjustable push-rod (R. III).	1
DM 314-016	Pedal gear complete.	1	DM 314-83b	Lever for clutch control.	1	483-S 30	Screw, hex. pointed, 7 x 15, for securing pedal gear (R. III).	2
D 314-17	Nut, hex., 7 x 100, for clutch fork adjustment.	1	DM 314-88a	Washer, 7.2 x 18' x 2 for thrust of adjustable control lever push-rod.	1	485-S	Screw, hex. head, 7 x 20, for securing control lever of adjustable push-rod (R. III).	1
DM 314-21a	Push-rod, adjustable, for clutch, threaded 7 x 100 (with spindle in end piece) (R. VI).	1	DM 314-95b	Bearing for control lever of adjustable push-rod, 72 x 20 x 7.2.	1	497-S	Screw, hex., 7 x 50, for securing (R. III): - clutch control lever. - articulating bracket of the control lever of adjustable push-rod.	1 1
DM 314-36c	Control lever for adjustable push-rod.	1	DM 314-109	Distance piece for control lever of clutch, 7 x 10 x 12.6.	1	2.491-S	Nut, hex., 7 x 100, for securing screw (R. III): - of clutch control lever. - of pedal adjustment. - of pedal gear.	1 1 2
DM 314-38b	Clutch pedal (with spindle, 94 mm long).	1	DM 314-177	Screw, adjusting, for clutch pedal, threaded 7 x 100 x 35 mm.	1	2.493-S	Nut, hex., 7 x 100, for clutch cable (R. III).	2
DM 314-39f	Cable for clutch with plate, length of sheath: 385 mm (R. VI).	1	DF 314-178	Clevis pin for clutch cable, 5 mm diameter x 12 mm long.	1	543.322	Bush, 18 x 22 x 17, for pedal bracket (R. VI).	2
DM 314-40	Bracket, articulating, for the control lever of adjustable push-rod (R. VI).	1	DM 453-97	Cover for pedal.	1			
DM 314-48	Bracket for clutch pedal, two welded screws.	1	DS 454-113	Rubber sealing sleeve for pedal gear, 45 x 80 x 1 (R. VI).	1			



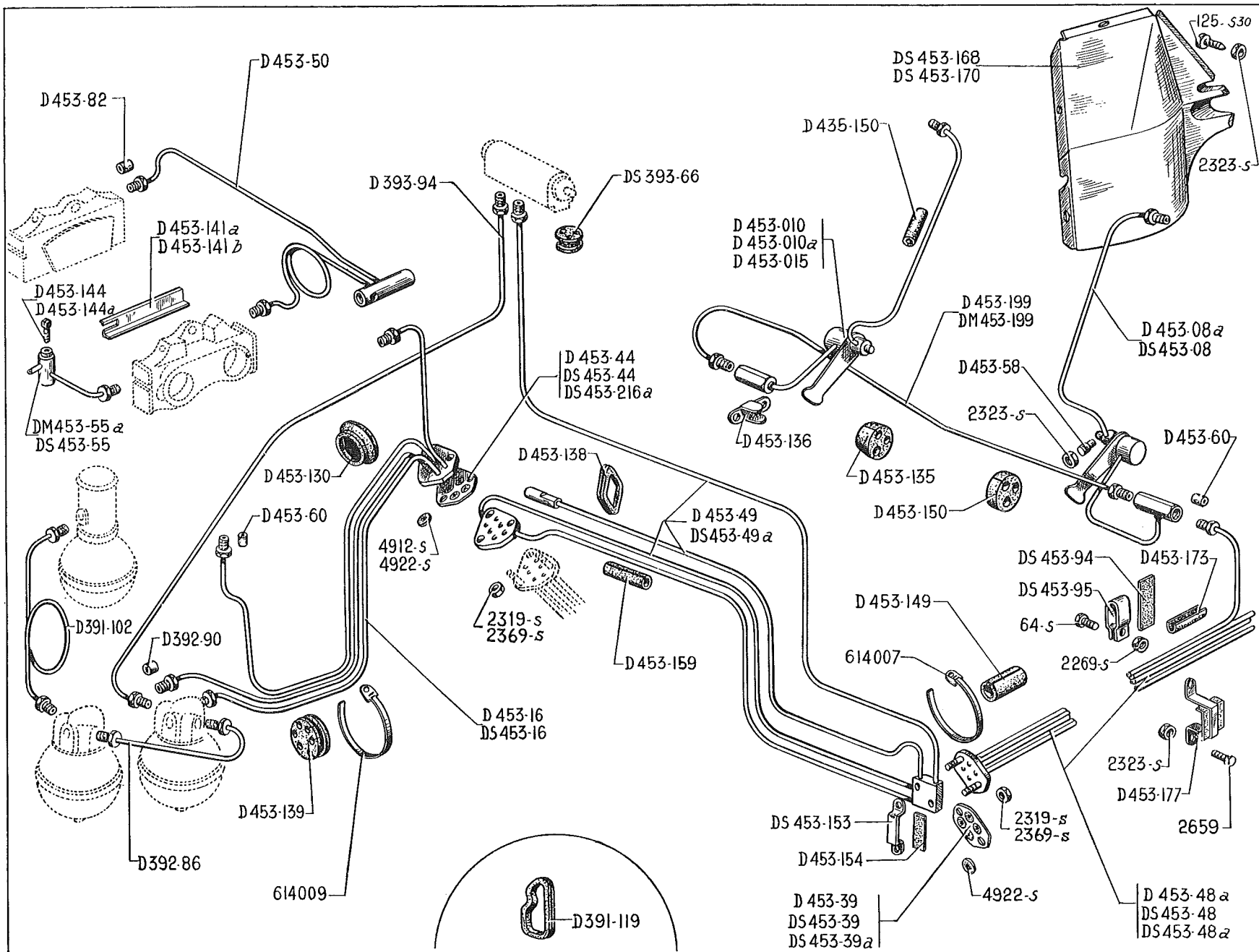
HYDRAULIC BRAKE CONTROL-191

NUMBER	DESCRIPTION	No. OFF	NUMBER	DESCRIPTION	No. OFF	NUMBER	DESCRIPTION	No. OFF
DS 142-95	Ring seal, 5.7 x 9.1 x 1.7 for pressure distribution plug (R. VI).	1	DS 453-36	Bush, rubber, protecting brake pedal pad rod, 5.5 mm thick. Since July 1961.	1		Washer, rubber, for taking up clearance on pedal pad rod, 10 x 36.	As nec.
DS 453-021d	Brake control body with valves (arrangement with felt joint). Since July 1961. Replaces earlier type; order in addition: 2-DS 453-69.	1	D 453-51	Return spring for brake control valve, internal diameter 8.5 mm.	2	D 453-91c	Thickness: 1 mm	
D 453-1a	Brake pedal, (without pedal pad). Rod for pad 9 mm. Until July 1961.	1	D 453-52	Joint, rubber, 20 x 24 x 3.5, for hydraulic brake control.	2	D 453-91d	" 3 mm	
DS 453-1a	Brake pedal (without pedal pad). Rod for pad 36 mm long. July 1961 - September 1962.	1	D 453-53	Thrust washer, 6.4 x 8.4 x 14.65 x 7, for brake control valve return spring. Until July 1961.	2	D 453-97	Pad for brake pedal, internal diameter 27 mm. Until July 1961.	1
DS 453-1b	Brake pedal, rod for pad 32 mm long. Since September 1962.	1	DS 453-54	Seal plate for flange on brake control piping, 6 holes, 8.3 mm diameter, 3 fixing holes 28 and 53 between centres (R. VI). Until April 1957.	1	DS 453-97	Pad for brake pedal, internal diameter 42 mm. Since July 1961.	1
D 453-9	<i>Pipe assembly for brake operation, 8 pipes 6.35 mm diameter, 2 flanges. Until February 1956. No longer supplied.</i>	1	DS 453-54a	Seal plate for flange on brake control piping, 6 holes 7.6 mm diameter, 3 fixing holes 6 mm diameter (R. VI). Since April 1957.	1	D 453-98	Thrust ring for brake pedal, threaded 9 diameter x 125 pitch. Until July 1961.	1
D 453-9a	Pipe assembly for brake operation, 8 pipes 6.35 mm diameter, 2 flanges. February 1956-April 1957.	1	D 453-63	Thrust cup for brake control valve, 6.45 x 20 x 4. Until July 1961.	2	DS 453-98	Thrust ring for brake pedal, threaded 9 diameter x 125 pitch. Since July 1961.	1
DF 453-9	Pipe assembly for brake operation, 2 flanges, 2 screwed unions. L.H. steering. July 1960 - September 1962.	1	D 453-69	Sealing ring, rubber, for brake control slide valve, 6 x 17.5 x 3.5 (R. VI). Until July 1961.	2	D 453-115	Articulating spindle for brake pedal, 7 x 16.	2
DS 453-9a	Pipe assembly for brake operation, 8 pipes 6.35 mm diameter, 1 flange, 3 point fixing 6 mm diameter, 1 flange, 2 point fixing 6 mm diameter. L.H. steering. April 1957 - July 1960.	1	DS 453-69	Joint, felt, for brake control slide valve, 6.35 x 13.2 x 1. Since July 1961.	2	D 453-158	Screw, countersunk head, 4 diameter x 11 long, retaining pedal pad.	1
DS 453-9d	Pipe assembly controlling brakes, 2 flanges, 2 screwed unions. L.H. steering. Since September 1962.	1	D 453-70	Cap for brake control, threaded 24 diameter x 150 pitch.	2	DS 453-211	Ring, rubber, split, between cylinder and brake control slide valve sealing joint, 6.9 x 9.5 x 2.4. Until July 1961.	2
DS 453-9e	Pipe assembly controlling brakes, 2 flanges, 2 screwed unions. R.H. steering.	1				D 456-0	Braking distributor. Until July 1960.	1
D 453-15	Circlip for valve controlling hydraulic brake.	2				DF 456-0	Braking distributor. Since July 1960.	1
D 453-36a	Bush, rubber, protecting brake pedal pad rod, internal diameter 14 x 20, external diameter 36 mm. Until July 1961.	1				D 456-1	Body for braking distributor.	1
						D 456-2	Guide cap for braking distributor, threaded 16 diameter x 150 pitch.	1

192-HYDRAULIC BRAKE CONTROL

NUMBER	DESCRIPTION	No. OFF	NUMBER	DESCRIPTION	No. OFF	NUMBER	DESCRIPTION	No. OFF
DF 456-3	Slide valve for braking distributor, 78 mm long, 6.35 mm diameter. Since July 1960.	1	DF 456-98	Spring for distributor, wire 2.4 mm. Since July 1960.	1	DS 831-01e	Pedal panel with brake control. L.H. steering. Since September 1962.	1
DS 456-3	Slide valve for braking distributor, 78 mm long. 6.35 mm diameter. November 1959 - July 1960. Replaces previous types; order in addition: 1-DS 456-98, 1-DS 456-50.	1	DS 456-98	Spring for distributor, internal diameter 8 mm, 9 coils. November 1959 - July 1960. Replaces previous type; order in addition: 1-DS 456-3, 1-DS 456-50.	1	DS 831-02c	Pedal panel with brake control, switch support (welded). R.H. steering.	1
D 456-4	Trolley for braking distributor.	1	D 456-99	Joint, rubber, for braking distributor, 16 x 20.4 x 4.	1	155-S 30	Screw, pointed, 5 diameter x 15 long, securing brake control (R. III).	2
DS 456-50	Thrust washer, 7 x 11.25 x 1, for brake distributor spring. Since November 1959.	1	D 831-01a	Pedal panel with brake control. Until April 1957.	1	321-S	Screw, hex. head, 6 diameter x 30 long, securing brake control flange (R. III). Since April 1957.	1
D 456-92	Retaining plate for braking distributor.	1	DF 831-01b	Pedal panel with brake control (1 drain tube). L.H. steering. July 1961 - September 1962. Replaces type fitted from July 1960 - July 1961.	1	480-S	Screw, hex. head, 7 diameter x 14 long, securing brake control (R. III).	2
D 456-93	Compensator plate for distributor trolley, 25 x 34.	1	DS 831-01b	Pedal panel with brake control, flange for outlet fixed at 3 points, 6 mm diameter. L.H. steering. April 1957 - July 1960.	1	<u>708</u>	Packet of joints for renewal on brake hydraulic control.	1
D 456-96	Spindle, coupling, 9 x 32, for braking distributor.	1				4.912-S	Ring seal, 4.9 x 8.7 x 1.9, for seal plates (R. VI). Until April 1957.	6
						4.922-S	Ring seal, 4.2 x 8 x 1.9, for seal plates (R. VI). Since April 1957.	6
						621.055	Screw, hex. head, 5 diameter x 11 long, securing braking distributor (R. I).	1

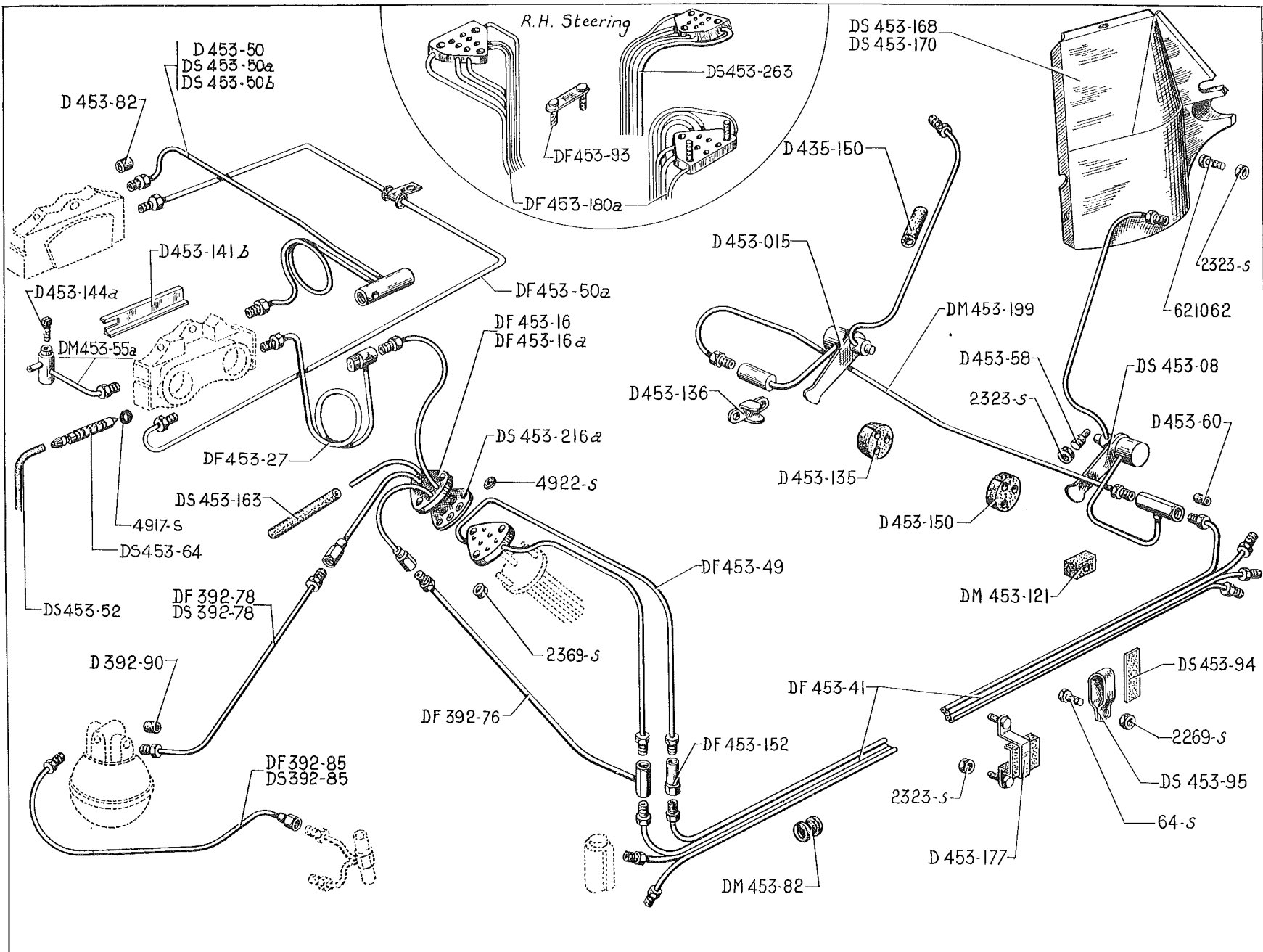
BRAKE PIPING-197



NUMBER	DESCRIPTION	No. OFF	NUMBER	DESCRIPTION	No. OFF	NUMBER	DESCRIPTION	No. OFF
	Until July 1960							
D 391-102	Pipe, between pressure control valve and brake accumulators, pipe 4.5 mm diameter.	1	D 453-16	Pipe assembly between accumulator and pedal gear, 4 pipes, 6.35 diameter, 1 flange. Until April 1957.	1	DS 453-48a	Rear piping, general for brake and suspension systems. (Arrangement with ID 19 manual height variation control). Since November 1957.	1
D 391-119	Grommet, rubber, for general rear piping, 42 x 67.5. Until March 1956.	1	DS 453-16	Pipe assembly between accumulator and pedal gear, 4 pipes 6.35 diameter, 1 flange fixed at 3 points 6 mm diameter. Since April 1957.	1	D 453-49	Piping, general (front part) for brake and suspension systems: 2 flanges. 3 pipes 4.5 mm diameter. 1 pipe 6.35 mm diameter. Until April 1957.	1
D 392-86	Pipe connecting brake accumulators, pipe 4.5 mm diameter.	1	D 453-39	<i>Seal plate (4 pipes) for union of brake and rear suspension piping, 2 holes 26 mm. between centres (R. VI). Until October 1956. Replaced by DS 453-39; order in addition: 4-4922-S.</i>	1	DS 453-49a	Rear piping, general (front part) for brake and suspension systems, 1 flange fixing at 2 points 6 mm diameter, 1 flange fixing at 3 points 6 mm diameter. Since April 1957.	1
D 392-90	Rubber sleeve, 6 x 11 x 11, for pipe union.	2	DS 453-39	Seal plate for union of brake and suspension piping, 4 holes 7.6 mm diameter, 2 fixing holes 26 mm between centres (R. VI). October 1956 - April 1957.	1	D 453-50	Piping for front brakes, 2 pipes 4.5 mm diameter, 1 3-way union.	1
DS 393-66	Spacer, rubber, for piping protection, 24 mm diameter, 3 holes 4.7 mm diameter. Since May 1957.	1	DS 453-39a	Seal plate for union of brake and suspension piping, 4 holes 7.6 mm diameter, fixing at 2 points 6 mm diameter (R. VI). Since April 1957.	1	DM 453-55a	<i>Bleed pipe with union for right-hand brake unit. Replaced by DS 453-64; order in addition: 1-DS 453-52 (R. VI).</i>	1
D 393-94	Connecting pipe between brake accumulators and distribution unit.	1	D 453-44	<i>Seal plate (6 pipes) for flange of brake operating pipe assembly, 2 fixing holes 31 mm. between centres (R. VI). Until June 1956. Replaced by DS 453-44; order in addition: 6-4912-S.</i>	2	DS 453-55	<i>Bleed pipe with union for left-hand brake unit. Until March 1956. Replaced by DS 453-64; order in addition: 1-DS 453-52 (R. VI).</i>	1
D 435-150	Rubber sleeve protecting rear brake pipe, 4 x 9 x 15.	3	DS 453-44	Seal plate for flange of brake operating pipe assembly, 6 holes 8.3 mm diameter, 2 fixing holes 31 mm between centres (R. VI). June 1956 - April 1957.	2	D 453-58	Screw, 5 diameter x 21.5 long, locking rear swivelling union.	2
D 453-08a	Swivelling pipe complete for left-hand rear brake (with 3-way union). (Arrangement with manual height variation control). Until November 1957.	1	D 453-48a	Rear piping, general for brake and suspension systems. (Arrangement with manual height variation control) Until April 1957.	1	D 453-60	Rubber sleeve for pipe union, 6.5 x 10 x 11: - for rear piping, general. - for pipe assembly, accumulator to pedal gear.	1 2
DS 453-08	Swivelling pipe complete for left-hand rear brake. (Arrangement with ID 19 manual height variation control). Since November 1957.	1	DS 453-48	Rear piping, general for brake and suspension systems, 1 flange with 6 mm diameter stud. April 1957 - November 1957.	1	D 453-82	Rubber sleeve for pipe union, 4.5 x 6.5 x 11.	As nec.
D 453-010	<i>Swivelling pipe complete for right-hand rear brake. Until February 1956. Replaced by D 453-015; order in addition: 1-D 453-199, 1-D 453-82.</i>	1				DS 453-94	Rubber pad, 20 x 50 x 2, under clip retaining rear general piping. Since July 1956.	1
D 453-010a	<i>Swivelling pipe complete for right-hand rear brake (arrangement with manual height variation control). February 1956 - May 1956. Replaced by D 453-015; order in addition: 1-D 453-199, 1-D 453-82.</i>	1				DS 453-95	Clip retaining rear general piping. Since July 1956.	1
D 453-015	Swivelling pipe complete for right-hand rear brake (with 2-way union). Since May 1956.	1						

196-BRAKE PIPING

NUMBER	DESCRIPTION	No. OFF	NUMBER	DESCRIPTION	No. OFF	NUMBER	DESCRIPTION	No. OFF
D 453-130	Sealing sleeve for piping on scuttle panel, left side, internal diameter 40 x 47.	1	D 453-159	Rubber sleeve protecting rear general piping (front part), 5 x 11 x 60.	1	2.269-S	Nut, hex., 4 diameter x 75 pitch, securing clip for rear general piping (R. III). Since July 1956.	1
D 453-135	Sealing plug, rubber, on rear wheel arch : - 2 holes 4.5 diameter. - 1 hole 8 diameter.	2	DS 453-168	<i>Shield protecting swivelling piping for rear brake, left-hand. Replaced by DS 453-168a.</i>	1	2.319-S	Nut, hex., 5 diameter x 75 pitch (R. III) securing flange : - for rear general piping. - for brake control pipe assembly. Until April 1957.	2 2
D 453-136	Yoke retaining rear swivelling piping 29 mm between centres.	2	DS 453-170	<i>Shield protecting swivelling piping for rear brake, right-hand. Replaced by DS 453-170a.</i>	1	2.323-S	Nut, hex., 5 diameter x 75 pitch (R. III): - for screw locking rear swivelling union. - for plate securing rear general piping. Since March 1956. - for shield protecting swivelling piping. Since October 1956.	2 2 4
D 453-138	Grommet, rubber, protecting piping on rear sidemember of front unit.	1	D 453-173	Sleeve protecting rear general piping on left-hand rear gusset on jack support tube, 50 mm long. March 1956 - November 1957.	1	2.369-S	Nut, hex., 6 diameter x 100 pitch (R. III) securing: - brake control pipe assembly. - rear general piping. Since April 1957.	2 2
D 453-139	Block, rubber, retaining piping, 6 holes.	1	D 453-177	Clamp with rubber for securing rear general piping, 53 mm between centres. Since March 1956.	1	2.659	Screw, hex. head, 5 diameter x 13 long, securing plate retaining rear general piping (R. III).	2
D 453-141a	Support for bleed pipe on left-hand front brake unit. Until March 1956.	1	D 453-199	Connecting pipe with unions between 3-way union and 2-way union for rear swivelling piping. May 1956 - November 1957.	1	4.912-S	Ring seal, 4.9 x 8.7 x 1.9, for seal plate DS 453-44 (R. VI). Until April 1957.	12
D 453-141b	Support for bleed pipe on right-hand front brake unit.	1	DM 453-199	Connecting pipe 4.5 mm diameter between 3-way union and 2-way union for rear brake, right-hand (arrangement with ID 19 manual height variation control). Since November 1957.	1	4.922-S	Ring seal, 4.2 x 8 x 1.9, for seal plate DS 453-39 (R. VI). Since October 1956. For seal plate DS 453-216a. Since April 1957.	4 12
D 453-144	<i>Bleed screw for front brake unit, threaded 5 dia. x 75 pitch, 22 long, plain portion 3 mm. Until March 1956. Replaced by D 453-144a.</i>	2	DS 453-216a	Seal plate for brake control pipe assembly flange, 6 holes 7.6 mm diameter, fixing at 3 points 6 mm diameter (R. VI). Since April 1957.	2	614.007	Clip tightening sleeve protecting rear general piping, 190 mm long (R. VI).	1
D 453-144a	Bleed screw for front brake unit, right-hand, threaded 5 diameter x 75 pitch, plain portion 4 mm. Since March 1956.	1	64-S	Screw, round head, 4 diameter x 12,5 long, securing clip retaining rear general piping (R. III). Since July 1956.	1	614.009	Clip for plate retaining piping, 395 mm long (R. VI).	1
D 453-149	Rubber sleeve protecting rear general piping under centre pillar, 15 x 20 x 80.	1	125-S 30	Screw, round head, pointed, 5 diameter x 15 long, securing shield protecting swivelling piping (R. III). Since October 1956.	6			
D 453-150	Block, rubber, retaining rear piping, 35 mm diameter, 20 mm thick.	1						
DS 453-153	Retaining plate for rear general piping (front part) 44 mm between centres (with half clip).	1						
D 453-154	Rubber pad for protecting rear general piping (front part), 15 x 48.5	1						

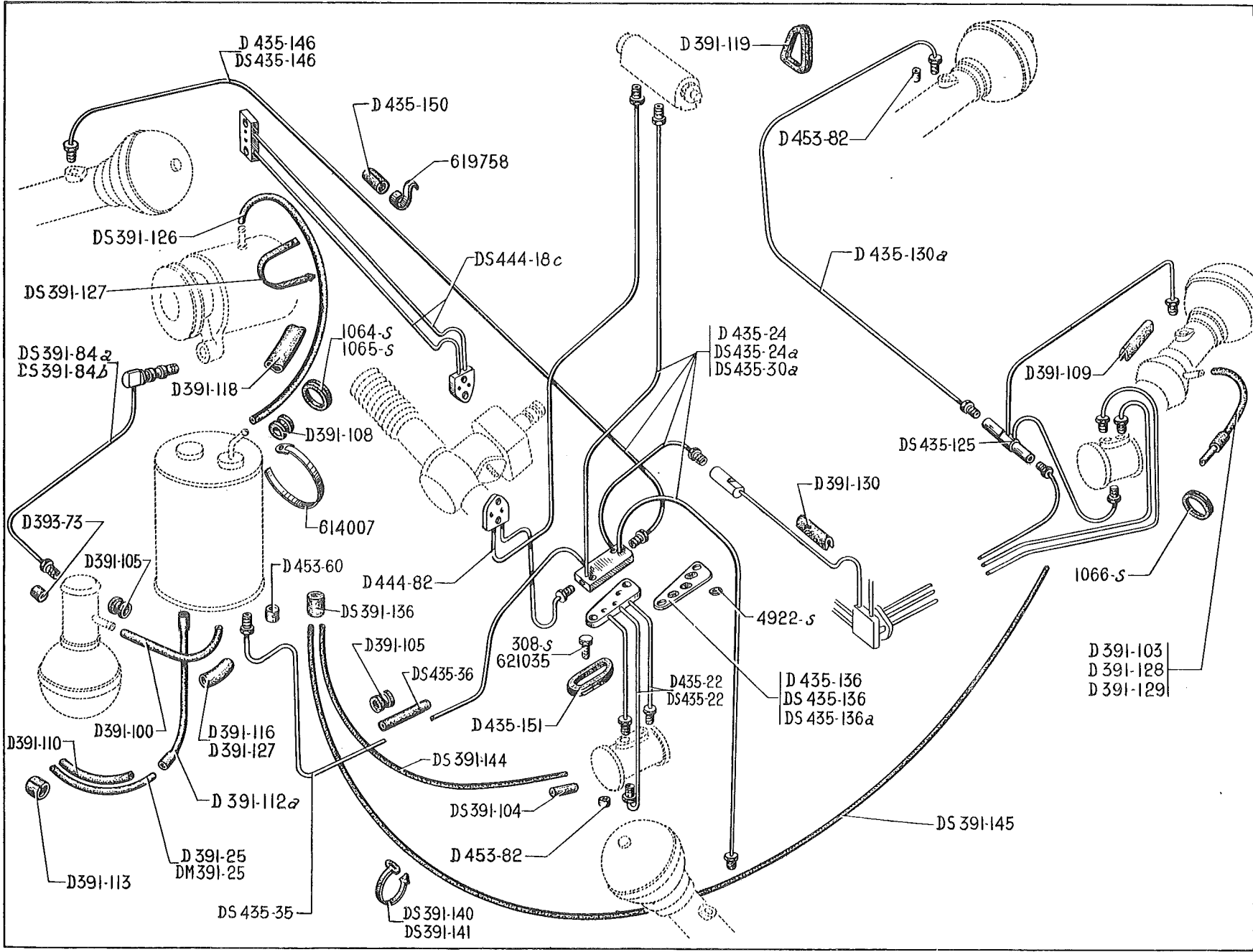


NUMBER	DESCRIPTION	No. OFF	NUMBER	DESCRIPTION	No. OFF	NUMBER	DESCRIPTION	No. OFF
	SINCE JULY 1960							
DF 392-76	Feedpipe for rear brake, one 3-way union, one screwed union.	1	DF 453-27	Feedpipe for front brake, 1 2-way union, 1 screwed union. Manual gear change control.	1	DS 453-94	Rubber pad, 20 x 50 x 2, under clip retaining rear general piping.	1
DF 392-78	Connecting pipe from brake accumulator to pedal gear, (brake accumulator side), two screwed unions. Until September 1962.	1	DF 453-41	General piping for rear system (rear part). - 8 screwed unions.	1	DS 453-95	Clip retaining rear general piping.	1
DS 392-78	Connecting pipe from brake accumulator to pedal gear (brake accumulator side). Since September 1962.	1	DF 453-49	General piping for brake and suspension system (front part). - 1 flange. - 2 screwed unions.	1	DM 453-121	Protector, rubber, for rear brake swivelling piping, left-hand (R. VI).	1
DF 392-85	Feedpipe for brake accumulator, one 2-way union, one screwed union. Until September 1962.	1	D 453-50	Piping for front brake. - 2 pipes. - 1 3-way union. Hydraulic drive. Until September 1962.	1	D 453-135	Sealing plug, rubber, for piping on rear wheel arch (3 holes). Until February 1963.	2
DS 392-85	<i>Feedpipe for brake accumulator. September 1962 - December 1963. Replaced by DS 392-85a; order in addition: 1-DF 435-30a.</i>	1	DF 453-50a	Piping for front brake, 2 screwed unions. Manual gear change control.	1	<u>DS 453-135</u>	Sealing plug, rubber, for piping on rear wheel arch, 18 mm inside diameter, 2 holes 4.5 mm, 1 hole 8 mm (R. VI). Since February 1963.	2
<u>DS 392-85a</u>	Feedpipe for brake accumulator, 2 screwed unions. Since December 1963.	1	DS 453-50a	Piping for front brakes, 2 pipes, 1 3-way union. Hydraulic control. Since September 1962.	1	D 453-136	Yoke retaining rear swivelling piping. 29 mm between centres.	2
D 392-90	Rubber sleeve, 6 x 11 x 11, for piping from brake accumulator to pedal gear.	1	DS 453-50b	Piping for front brakes. Hydraulic control. R. H. steering.	1	D 453-141b	Support for bleed pipe for front right-hand brake unit. Until September 1960.	1
<u>DX 394-134</u>	Pipe assembly, right-hand, connecting brake control. R. H. steering. Since July 1965.	1	DS 453-52	Piping, flexible, 5 x 7 x 400 for front brake bleed screw (R. VI). Since September 1960.	1	D 453-144a	Bleed screw for front brake unit, threaded 5 diameter x 75 pitch. Until September 1960.	1
<u>DX 394-135</u>	Pipe assembly, left-hand, connecting brake control. R. H. steering. Since July 1965.	1	DM 453-55a	<i>Bleed pipe for front brake. Until September 1960. Replaced by DS 453-64; order in addition: 1-DS 453-52 (R. VI).</i>	1	D 453-150	Block, rubber, retaining rear piping, 35 mm diameter, 20 mm thick.	1
D 435-150	Sleeve, rubber, protecting rear brake pipe, 4 x 9 x 15.	1	D 453-58	Screw, 5 diameter x 21.5 long, locking rear pivoting union.	2	DF 453-152	2-way union for brake piping, threaded 9 diameter x 125 pitch, and 12 diameter x 125 pitch.	1
DS 453-08	Swivelling piping complete for rear brake, left-hand.	2	D 453-60	Sleeve, rubber, for pipe union, 6.5 x 10 x 11.	As nec.	DS 453-163	Rubber tube, 5 x 11, 980 mm long, connecting pedal gear to reservoir. Since September 1960.	1
D 453-015	Swivelling piping complete for rear brake, right-hand.	1	DS 453-64	Bleed screw, for front brake, with union, screwed 9 x 125 x 38 mm long. Since September 1960.	1	DS 453-168	<i>Shield protecting rear brake piping, left-hand. Until July 1964. Replaced by DS 453-168a.</i>	1
DF 453-16	Pipe assembly between brake accumulator and pedal gear (1 flange, 2 screwed unions, 2 2-way unions). Since September 1960.	1	D 453-82	Sleeve, rubber, for pipe union, 4.5 x 6.5 x 11.	As nec.	<u>DS 453-168a</u>	Shield protecting rear left-hand brake piping, with mudguard behind rear wing. Since July 1964.	1
DF 453-16a	Pipe assembly between brake accumulator and pedal gear, (1 flange, 1 screwed union, 2 2-way unions, 1 pipe). Since September 1960.	1	DM 453-82	Sleeve, 14 x 19, protecting general piping (R. VI).	3			
			DF 453-93	Counter plate, for securing support plate of braking circuit assembly, 2 screws, 43 mm. between centres. Hydraulic control. R. H. steering.	2			

The numbers underlined indicate new parts which do not appear on the illustration.

200-BRAKE PIPING

NUMBER	DESCRIPTION	No. OFF	NUMBER	DESCRIPTION	No. OFF	NUMBER	DESCRIPTION	No. OFF
DS 453-170	<i>Shield protecting rear brake piping, right-hand. Until July 1964. Replaced by DS 453-170a.</i>	1	DS 453-216a	Seal plate for brake control pipe assembly flange, 6 holes 7.6 mm diameter (R. VI).	2	2.323-S	Nut, hex., 5 diameter x 75 pitch (R. III): - for screw locking rear swivelling union. - securing screen protecting swivelling piping. - for clip securing rear general piping.	2 5 2
DS 453-170a	Shield protecting rear right-hand brake piping with mudguard behind rear wing. Since July 1964.	1	DS 453-263	Piping, connecting brake control piping assembly to feed circuit assembly for brakes. Hydraulic control. R.H. steering.	1	2.369-S	Nut, hex., 6 x 100, for securing flange of brake control pipe assembly (R. III).	2
D 453-177	Clamp with rubber securing rear general piping.	1	64-S	Screw, round head, 4 diameter x 12.5 long, securing clip retaining rear general piping (R. III).	1	4.917-S	Ring seal, 3.4 x 7.2 x 1.9, for front brake bleed screw (R. VI). Since September 1960.	1
DF 453-180a	Piping, brake feed circuit assembly. Hydraulic control. R.H. steering. Until July 1965.	1	2.269-S	Nut, hex., 4 diameter x 75 pitch, securing clip for rear general piping (R. III).	1	4.922-S	Ring seal, 4.2 x 8 x 1.9, for seal plate of brake control pipe assembly flange (R. VI).	6
DS 453-263	Piping, connecting brake control piping assembly to feed circuit assembly for brakes. Hydraulic control. R.H. steering. Until July 1965.	1				621.062	Screw, hex. head, 5 diameter x 14 long, securing shield protecting rear swivelling piping (R. III).	6



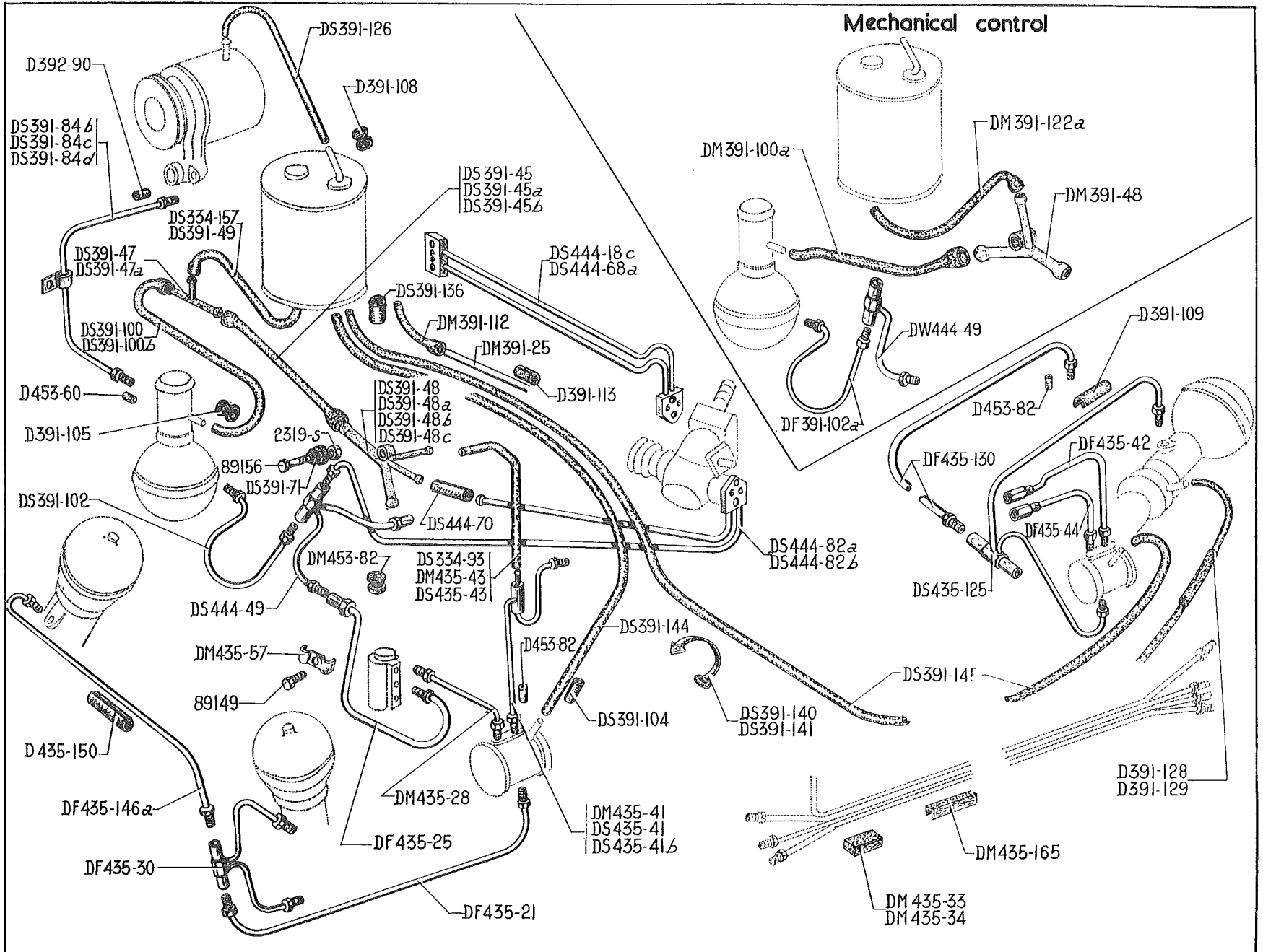
PIPING FOR SUSPENSION AND STEERING-203

NUMBER	DESCRIPTION	No. OFF	NUMBER	DESCRIPTION	No. OFF	NUMBER	DESCRIPTION	No. OFF
	Until July 1960							
D 391-25	Flexible pipe for suspension overflow return. Until November 1957.	1	D 391-110	Protective sleeve between overflow return pipe and reservoir, on flexible union.	1	DS 391-136	Sleeve, rubber, connecting corrector overflow to reservoir, 18 x 42. Since January 1957.	1
DM 391-25	Flexible pipe for suspension overflow return (R. VI). Since November 1957.	1	D 391-112a	Flexible union for overflow return to reservoir, 0.740 mm long.	1	DS 391-140	Clip, rubber, for corrector overflow return, 46 mm long. Since January 1957.	3
DS 391-84a	Connecting pipe complete with pivoting spindle between pump and pressure control valve, pipe 6.35 mm diameter (for replacement of 8 mm pipe); order in addition: 1-DS 391-161, 1-DS 392-90.	1	D 391-113	Rubber sleeve, split, securing pipe for suspension overflow return, 8 x 12 x 15.	16	DS 391-141	Clip, rubber, for corrector overflow return, 77 mm long. Since January 1957.	6
DS 391-84b	Pipe, 6.35 mm diameter between pump and pressure control valve. Since September 1958.	1	D 391-116	Sleeve, rubber, protecting connecting pipe from control valve to reservoir internal diameter 15.5 mm.	1	DS 391-144	Pipe, rilsan, for front corrector overflow return, 1200 mm long (R. VI). Since January 1957.	1
D 391-100	Connecting pipe, rubber, from control valve to reservoir, 14 mm diameter, 500 mm long.	1	D 391-118	Tube, rubber, protecting piping from suspension pump to reservoir. Until July 1958.	1	DS 391-145	Pipe, rilsan, for rear corrector overflow return, 4200 mm long (R. VI). Since January 1957.	1
D 391-103	Sleeve, rubber, protecting overflow return piping, 7 x 13 x 15.	1	D 391-119	Grommet, rubber, for overflow return pipe.	1	D 393-73	Sleeve, rubber, for union, internal diameter 8.5 mm, 12.5 mm long.	As nec.
DS 391-104	Sleeve, rubber, connecting overflow return on correctors, 8 x 29. Since January 1957.	2	DS 391-126	Tube, rubber, connecting reservoir to suspension pump, 18 mm diameter, 800 mm long.	1	D 435-22	Pipe assembly for front corrector: - 1 flange. - 3 pipes 4.5 mm diameter. Until September 1957.	1
D 391-105	Flexible sleeve under clip tightening connecting pipe between control valve and reservoir, internal diameter 15 mm. - for suspension return to reservoir. Since May 1958.	2	D 391-127	Protective sleeve on flexible connecting pipe between control valve and reservoir.	1	DS 435-22	Pipe assembly for front corrector, 1 flange, 2 point fixing, threaded 6 diameter x 100 pitch. Since September 1957.	1
D 391-108	Flexible sleeve under clip tightening for connecting from reservoir to pump, internal diameter 19 mm.	2	DS 391-127	Sleeve, rubber, for piping from suspension pump to reservoir, 272 mm long. Since July 1958.	1	D 435-24	Pipe assembly supplying front suspension: - 1 flange. - 3 pipes 4.5 mm diameter. - 1 pipe 6.35 mm diameter. Until September 1957.	1
D 391-109	Rubber sleeve protecting piping on support for rear suspension cylinder 48 mm long (R. VI).	2	D 391-128	Protective sleeve, left side on overflow return pipe from rear suspension cylinder, 250 mm long.	1	DS 435-24a	Pipe assembly supplying front suspension, 1 flange, 2 point fixing, 6.5 diameter. September 1957 - May 1958.	1
			D 391-129	Protective sleeve, right side on overflow return pipe from rear suspension cylinder, 390 mm long.	1			
			D 391-130	Protective sleeve, rubber, for piping on support for mechanical brake control, 40 mm long (R. VI).	1			

204-PIPING FOR SUSPENSION AND STEERING

NUMBER	DESCRIPTION	No. OFF	NUMBER	DESCRIPTION	No. OFF	NUMBER	DESCRIPTION	No. OFF
DS 435-30a	Pipe assembly for front suspension (return pipe in 2 parts). Since May 1958.	1	D 435-146	Feed pipe for front suspension right-hand: - Pipe 4.5 mm diameter. Until May 1958.	1	1.065-S	Grommet, rubber, 22 x 18 x 8, for connecting pipe from reservoir to suspension pump (R. III).	1
DS 435-35	Return pipe from suspension to reservoir (1 male union). Since May 1958.	1	DS 435-146	Feed pipe for front suspension, right-hand. Since May 1958.	1	1.066-S	Grommet, rubber, 8 x 18 x 5, for protection of overflow return in rear cylinder support (R. III).	2
DS 435-36	Tube, rubber, connecting suspension return to reservoir and front suspension pipe assembly, internal diameter 5 mm, 80 mm long. Since May 1958.	1	D 435-150	Sleeve, rubber, protecting front suspension feed pipe, right-hand 4 x 9 x 15: - for corrector overflow return. Since January 1957.	2	4.922-S	Ring seal, 4.2 x 8 x 1.9, for seal plate DS 435-136 (R. VI). Since October 1956.	3
DS 435-125	Pipe assembly connecting rear suspension, left-hand (one 4-way union). Since November 1957.	1	D 435-151	<i>Grommet protecting suspension piping. Until September 1957. No longer supplied.</i>	1	614.007	Clip tightening connecting pipe, 190 mm long (R. VI): - control valve to reservoir. - reservoir to suspension pump.	2 2
D 435-130a	Pipe connecting general pipe assembly to rear suspension cylinder, right-hand. Pipe 4.5 mm diameter (arrangement with manual height variation control).	1	DS 444-18c	Piping controlling rack (on rack): - 2 pipes 4.5 mm diameter. - 2 flanges.	1	619.758	Clip securing protection sleeve for front suspension feed pipe, right-hand (R. VI).	2
D 435-136	<i>Seal plate for suspension feed pipe assembly to front corrector pipe assembly (3 pipes) 2 fixing holes 38 mm. between centres. (R. VI). Until October 1956. Replaced by DS 453-136; order in addition: 3-4922-S.</i>	1	D 444-82	Piping controlling rack (between distribution block and rack). - 2 pipes 4.5 mm diameter. - 1 flange.	1	621.035	<i>Screw, hex. head, 5 diameter x 25 long, securing seal plate for suspension pipe assembly and front corrector pipe assembly (R. IV).. Replaced by 89.114 (R. III).</i>	2
DS 435-136	Seal plate for suspension feed pipe assembly to front corrector, 3 holes 7.6 diameter, 2 fixing holes 36 mm between centres (R. VI). October 1956 - September 1957.	1	D 453-60	Sleeve, rubber, for union of suspension pipe assembly to reservoir, 6.5 x 10 x 11.	1	PROTECTIVE PLUGS UNIONS AND PIPE FOR REPAIR OF OVERFLOW RETURN		
DS 435-136a	Seal plate for suspension feed pipe assembly to front corrector, 2 fixing points 6.5 mm diameter (R. VI). Since September 1957.	1	D 453-82	Sleeve, rubber, for union 4.5 x 6.5 x 11.	As nec.	D 391-57	Rubber plug for pump (outlet side), 16.5 x 22 x 13 (R. VI).	2
			308-S	Screw, hex. head, 6 diameter x 25 long, securing seal plate of suspension pipe assembly and front corrector pipe assembly (R. III). Since September 1957.	2	D 391-58	Rubber plug for pump (inlet side), 11.5 x 18 x 25 (R. VI).	1
			1.064-S	Grommet, rubber, 16 x 32 x 7 on plate retaining piping from suspension pump to reservoir (R. III).	1	D 391-60	Rubber plug for control valve (return side), 7.5 x 12 x 20 (R. VI).	1

NUMBER	DESCRIPTION	No. OFF	NUMBER	DESCRIPTION	No. OFF	NUMBER	DESCRIPTION	No. OFF
D 391-63	Plug, rubber, for pressure control valve (operating side) and corrector.	5	DS 391-149	Nylon Y pipe, internal diameter 8 mm, for repair of overflow return (R. VI).	As nec.	D 434-70	Cap for suspension cylinder (sphere side), external thread 36 diameter x 150 pitch.	1
D 391-88	Plug, rubber, for pressure control valve (inlet side).	1	DS 391-150	Nylon T pipe, external diameter of junction 5 mm, internal diameter 8 mm for repair of overflow return (R. VI).	As nec.	D 434-95	<i>Plug for suspension cylinder (inlet side), external thread 9 diameter 125 pitch. Replaced by D 391-63.</i>	1
D 391-111	<i>Plug, rubber, for pressure control valve (connection with sphere), internal diameter 53.5 mm. (R. VI). No longer supplied.</i>	1	DS 391-151	Pipe, rilsan, 6 x 8, for repair of overflow return, 1 m long (R. VI).	As nec.	D 435-91	Plug, rubber, for corrector (overflow return) 3 x 8 x 10 (R. VI).	1
DS 391-146	Nylon T pipe with 15 mm diameter olive, internal diameter of junction 8 mm for repair of overflow return (R. VI).	As nec.	DS 391-152	Pipe, rilsan, 8 x 10, for repair of overflow return, 1 m long (R. VI).	As nec.	D 453-131	Protective cap for 4.5 mm diameter pipe (R. VI).	As nec.
DS 391-148	Nylon T pipe, internal diameter 8 mm, for repair of overflow return (R. VI).	As nec.	D 433-82	Cap for sphere, threaded 36 diameter x 150 pitch.	1	D 453-132	Protective cap for 6.35 mm diameter pipe (R. VI).	As nec.



208-PIPING FOR SUSPENSION AND STEERING

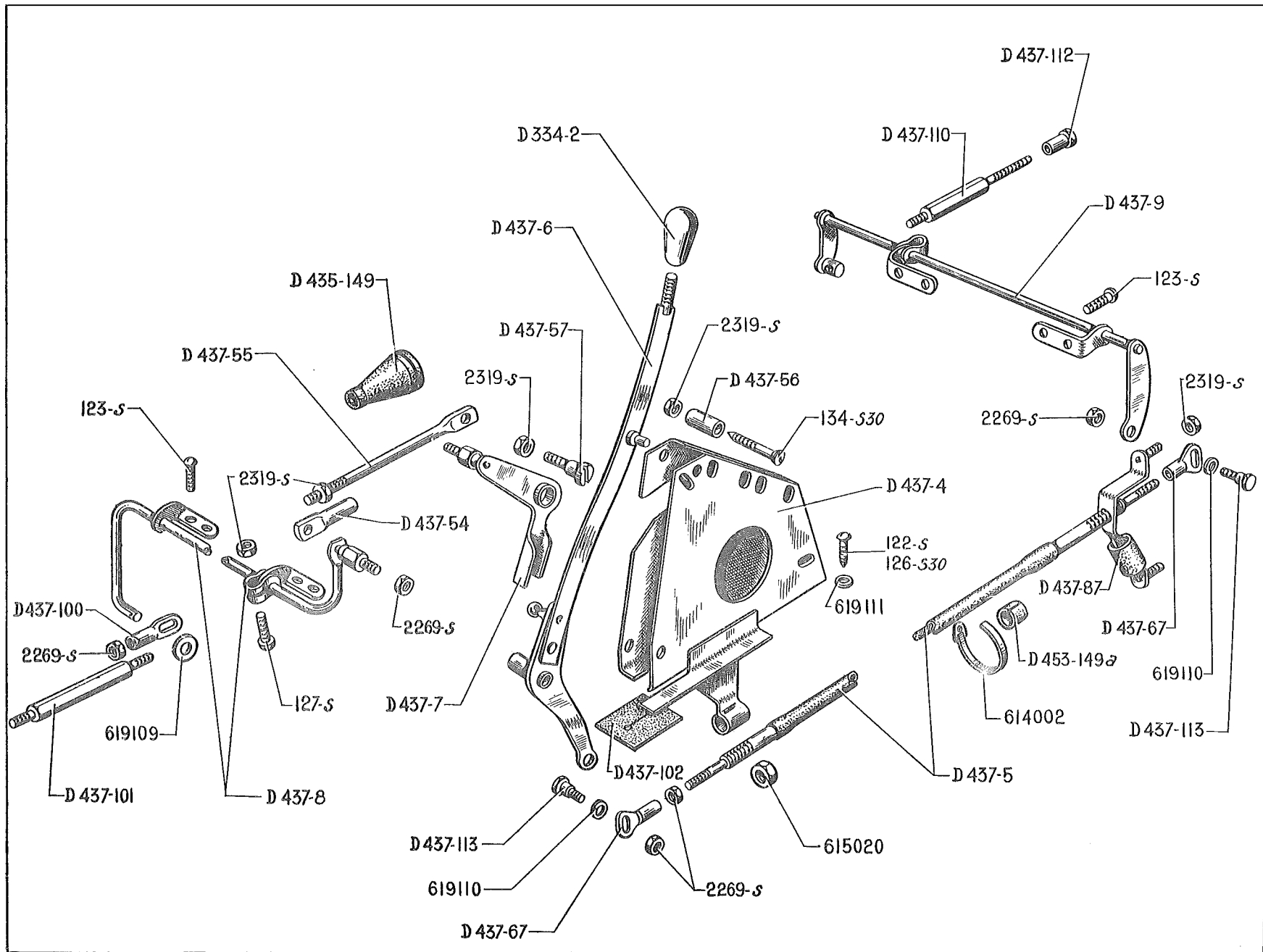
NUMBER	DESCRIPTION	No. OFF	NUMBER	DESCRIPTION	No. OFF	NUMBER	DESCRIPTION	No. OFF
	SINCE JULY 1960							
DS 334-93	Pipe, rubber, for corrector return, 7 x 14 between return pipe assembly and 4-way union, 320 mm long. Since October 1963.	1	DS 391-48b	4-way union (nylon), for suspension (2 pipes 11 mm diameter, 2 pipes 6.5 mm diameter) (R. VI). Hydraulic control. June 1963 - October 1963. Replaced by DS 391-48c; order in addition: 1-DS 334-93, 1-DS 435-41b.	1	DF 391-102a	Connecting pipe between control valve and distribution block, (control valve side). Since September 1962.	1
DS 334-157	Pipe, rubber, 7 x 14 x 460 mm long, from 3-way union to reservoir. Until September 1962.	1	DS 391-48c	4-way union (nylon) for suspension (2 pipes 11 mm diameter, 1 pipe 8 mm diameter, 1 pipe 6.5 mm diameter). Hydraulic control. Since October 1963. (R. VI).	1	DS 391-102	Connecting pipe between control valve and distribution block (control valve side). Until September 1962.	1
DM 391-25	Flexible pipe for suspension overflow return.	1	DS 391-49	Rubber pipe for 3-way union to reservoir, internal diameter 7 mm and 10 mm, length 320 mm. Since September 1962. Hydraulic control.	1	DS 391-104	Sleeve, rubber, for junction on corrector for overflow return, 8 x 29.	2
DS 391-45	Pipe, rubber, 7 x 14 x 525 mm long, between suspension unions 5-way and 3-way. Until September 1962.	1	DS 391-71	Rubber block supporting 4-way union (22 and 32 mm diameter x 19 high). September 1960 - July 1965.	1	D 391-105	Flexible sleeve under clip tightening connecting pipes, internal diameter 15 mm.	As nec.
DS 391-45a	Rubber pipe between 3-way and 4-way suspension unions, internal diameter 7 mm and 10 mm, length 600 mm. September 1962 - June 1963.	1	DS 391-84b	Pipe between pump and control valve. September 1960 - September 1962.	1	D 391-108	Flexible sleeve under clip for rubber union for overflow return, internal diameter 19 mm.	1
DS 391-45b	Rubber pipe between 4-way union and 3-way union (internal diameter 10 mm, length 600 mm). Hydraulic control. Since June 1963.	1	DS 391-84c	Pipe between high pressure pump and pressure control valve. Until September 1960. Replaced by DS 391-84b.	1	D 391-109	Sleeve, rubber, protecting pipe on support for suspension cylinder, 48 mm long (R. VI).	2
DS 391-47	3-way union for suspension (3 pipes). Until September 1962.	1	DS 391-84d	Connecting pipe between pump and pressure control valve. Since September 1962.	1	DM 391-112	Union, rubber, for overflow return to reservoir, internal diameters 7 and 11, length 880 mm.	1
DS 391-47a	Union, 3-way for suspension (nylon), 11 mm diameter (R. VI). Hydraulic control. Since September 1962.	1	DM 391-100a	Tube, rubber, 7 x 14, connecting pressure regulator to 3-way union, 7 mm and 10 mm internal diameter x 235 mm long. Manual gear change control.	1	D 391-113	Bush, rubber, split, securing pipe for overflow return, 8 x 12 x 15.	12
DM 391-48	Union, (nylon), 3-way, for suspension (2 tubes 11 mm diameter, 1 tube 6.5 mm diameter) (R. VI). Manual gear change control. Until February 1964. Replaced by DM 391-48a; order in addition: 1-DS 334-93, 1-DS 435-41b.	1	DS 391-100	Pipe, rubber, 7 x 14 x 140 mm long, connecting control valve to 3-way union. Until September 1962.	1	DM 391-122a	Tube, rubber, 7 x 14 between 3-way union and reservoir, 7 mm and 10 mm internal diameter x 945 mm long. Manual gear change control.	1
<u>DM 391-48a</u>	Union, (nylon), 3-way, for suspension (2 tubes 11 mm diameter, 1 tube 8 mm diameter) (R. VI). Manual gear change control. Since February 1964.	1	DS 391-100b	Rubber pipe connecting pressure control valve to 3-way union, internal diameter 7 mm and 10 mm elbowed at 860 mm. Since September 1962. Hydraulic control.	1	DS 391-126	Pipe, rubber, for connecting reservoir to pump, 780 mm long (with linen sleeve).	1
DS 391-48	5-way union for suspension (2 pipes). Until September 1960.	1				D 391-128	Protecting sleeve, left-hand, on overflow return pipe from rear suspension cylinder, 250 mm long.	1
DS 391-48a	4-way union for suspension (2 pipes). September 1960 - June 1963. Replaced by DS 391-48c (R. VI). Order in addition: 1-DS 391-45b, 1-DS 314-195, 1-DS 334-93, 1-DS 435-41b, 1-DS 444-82b.	1				D 391-129	Protecting sleeve, right-hand, on overflow return pipe from rear suspension cylinder, 390 mm long.	1
						DS 391-136	Sleeve, rubber, connecting corrector overflow return pipe on reservoir, 18 x 42.	1

PIPING FOR SUSPENSION AND STEERING-211

NUMBER	DESCRIPTION	No. OFF	NUMBER	DESCRIPTION	No. OFF	NUMBER	DESCRIPTION	No. OFF
DS 391-140	Clip, rubber, for corrector overflow return, 46 mm long.	9		- 1 screwed union. Since December 1963.		DF 435-146a	Feedpipe for front suspension, right-hand:	1
DS 391-141	Clip, rubber, for corrector overflow return, 77 mm long.	4	DM 435-33	Closing plug for lateral cross-member, left-hand, 60x40x35(R. VI)	1	D 435-150	Sleeve, rubber sealing, protecting feedpipe of front suspension, 4 x 9 x 15.	3
DS 391-144	Pipe, Rilsan, for front corrector overflow return, 1200 mm long (R. VI).	1	DM 435-34	Closing plug for lateral cross-member, right-hand, 60 x 50 x 40 (R. VI).	1	DM 435-165	Sleeve rubber, protecting piping of suspension, 147 mm long.	2
DS 391-145	Pipe, Rilsan, for rear corrector overflow return, 4200 mm long (R. VI).	1	DM 435-41	Pipe assembly for corrector overflow return: - 1 3-way union. - 1 2-way union. - 1 screwed union. July 1961 - June 1963. Replaces previous type; order in addition: 1-DM 435-43.	1	DS 444-18c	Piping, controlling rack. L.H. steering.	1
D 392-90	Sleeve, rubber, 6 x 11 x 11, for pipe union between pump and control valve.	1	DS 435-41	Pipe assembly for corrector overflow return (1 3-way union with 6.5 mm pipe, 1 2-way union, 1 screwed union). June 1963 - October 1963.	1	DS 444-49	Connecting pipe (feed for steering): - 1 4-way union. - 1 2-way union. - 1 screwed union. Hydraulic control.	1
<u>DX 394-48</u>	Rubber pad holding 4-way union, 32 mm and 19 mm diameter x 19 mm high. Since July 1965.	1	DS 435-41b	Pipe assembly for corrector overflow return (1 3-way union with pipe 8 mm diameter, 1 2-way union, 1 screwed union). October 1963 - July 1965.	1	DW 444-49	Connecting pipe (feed for steering): - 1 3-way union. - 1 screwed union. Manual gear change control.	1
<u>DX 394-120</u>	Pipe assembly for corrector overflow return, front and rear, 1-3 way union, 1-2 way union, 1 screwed union, (with output check) Since July 1965.	1	DF 435-42	Pipe for overflow return from rear corrector (rear part): - 1 2-way union. - 1 screwed union.	1	DS 444-68a	Piping, controlling rack, R.H. steering.	1
<u>DX 394-121</u>	Feedpipe for front suspension, right and left-hand. Since July '65.	1	DM 435-43	Pipe for overflow return from correctors with 3-way union and 2 screwed unions. July 1961 - June 1963. Replaces previous type; order in addition: 1-DM 435-41.	1	DS 444-70	<i>Rubber pipe, 5 x 11, connecting steering pipe assembly to 4-way union, 150 mm long. Since June 1963. Replaced by DS 314-195.</i>	1
<u>DX 394-122</u>	Feedpipe for front corrector. Since July 1965.	1	DS 435-43	Rubber pipe, 5 x 11, for overflow return from correctors between pipe assembly return and 4-way union, length 310 mm. June 1963 - October 1963.	1	DS 444-82a	Piping controlling rack. - 2 screwed unions. - 1 flange. Until June 1963.	1
DF 435-21	<i>Feedpipe for front suspension, right and left-hand, 2 screwed unions. Until October 1964. Replaced by DW 435-21.</i>	1	DF 435-44	Feedpipe for rear corrector: - 1 2-way union. - 1 screwed union.	1	DS 444-82b	Piping controlling rack, (1 screwed union, 1 pipe 6.35 mm diameter, 1 flange). Since June 1963.	1
DW 435-21	Feedpipe for front suspension, right and left-hand, 2 screwed unions (fitting with wide tread tyres). October 1964 - July 1965.	1	DM 435-57	Clip, double, securing pipe from control valve with corrector pipe.	1	D 453-60	Sleeve, rubber, 6.5 x 10 x 11, for union of pipe between pump and control valve.	1
DF 435-25	Pipe connecting control valve to distribution block (distribution block side). 1 2-way union. 1 screwed union.	1	DS 435-125	Pipe assembly connecting rear suspension, left-hand: 1 4-way union.	1	D 453-82	Sleeve, rubber, for union, 4.5 x 6.5 x 11.	As nec.
DM 435-28	Feedpipe for front corrector. Until July 1965.	1	DF 435-130	Feedpipe for rear suspension, right-hand: - 2 screwed unions.	1	DM 453-82	Ring, 14 x 19, for protecting piping for suspension (R. VI).	3
DF 435-30	<i>Feedpipe assembly for front suspension, left-hand: - 1 4-way union. - 2 screwed unions. Until December 1963. Replaced by DF 435-30a; order in addition: 1-DS 392-85a.</i>	1				2.319-S	Nut, hex., 5 diameter x 75 pitch, securing 4-way union (R. III). Since September 1960.	1
<u>DF 435-30a</u>	Feedpipe assembly for front suspension, left-hand: - 1 4-way union. - 1 2-way union.	1				89.149	Screw, hex. head, 5 diameter x 18 long, for double plate, securing pipe for control valve (R. III).	1
						89.156	Screw, hex. head, 5 diameter x 40 long, securing 4-way union (R. III). Since September 1960.	1

The numbers underlined indicate new parts which do not appear on the illustration.

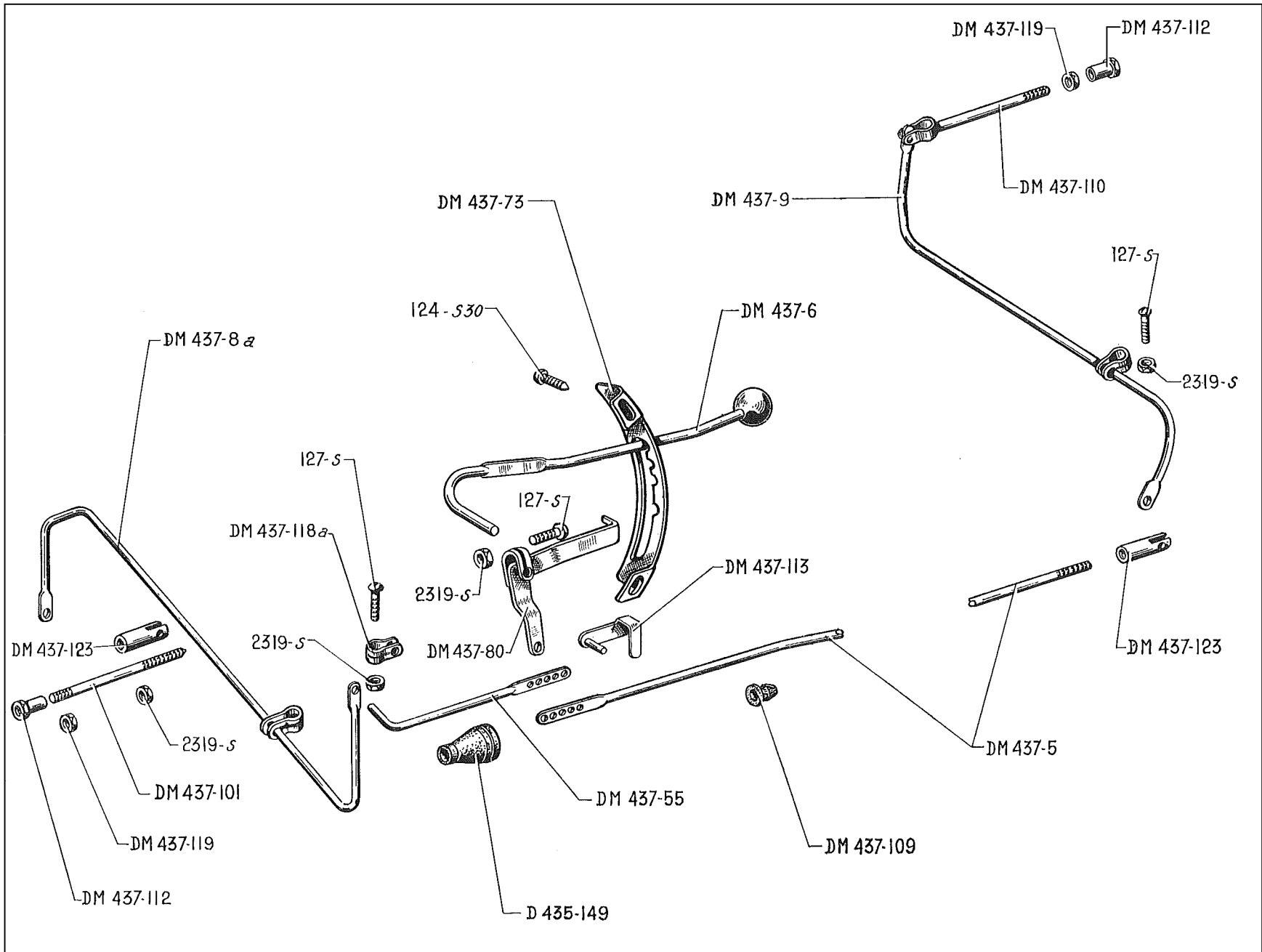
Catalogue No. 466 - March 1966.



212-HEIGHT VARIATION CONTROL

NUMBER	DESCRIPTION	No. OFF	NUMBER	DESCRIPTION	No. OFF	NUMBER	DESCRIPTION	No. OFF
	February 1956 – November 1957							
D 334-2	Knob for hand control lever, tapped 6 diameter 100 pitch (R.VI).	1	D 437-100	End piece for adjustable rod to front corrector, threaded 5 diameter 75 pitch.	1	134-S 30	Screw, round head, pointed 5 diameter 37.5 long securing control lever and distance piece on support (R. III).	2
D 435-149	Sealing sleeve on adjustable control rod 6 x 36 x 60.	1	D 437-101	Control rod adjustable for front corrector, 80 mm. long, threaded 5 diameter 75 left hand and right hand pitch.	1	2.269-S	Nut, hex. 4 diameter 75 pitch (R. III) securing: - adjustable rod on front relay lever	2
D 437-4	Support for control lever.	1	D 437-102	<i>Sealing plate, rubber for control (30 x 48 x 1). No longer supplied.</i>	1		- end of adjustable rod on front torsion rod.	2
D 437-5	Control cable, flexible, 2189 mm. long, threaded 4 diameter 75 pitch (R.VI).	1	D 437-110	Rod, adjustable, connecting control lever to rear corrector, threaded 4 diameter 75 pitch, 79 mm. long.	1		- flexible cable.	2
D 437-6	Manual height control lever.	1	D 437-112	Nut, 4 diameter, 75 pitch, for locking rear corrector control lever on adjustable rod, 10 mm. long.	1	2.319-S	- flexible cable end piece on front and rear levers.	2
D 437-7	Relay lever, front, for control.	1	D 437-113	Pivot pin securing end of flexible cable on front and rear lever, threaded 4 diameter, 75 pitch.	2		- lever operating rear corrector on adjustable rod.	1
D 437-8	Front operating torsion rod.	1	D 453-149a	<i>Sleeve, rubber protecting pipe assembly with flexible height variation control, 15 x 20 x 15. Since August 1956. No longer supplied.</i>	2	614.002	Nut, hex. 5 diameter 75 pitch (R. III) securing: - lever support.	2
D 437-9	Rear operating torsion rod.	1	122-S	Screw, round head 5 diameter 7.5 long securing support for control lever (R.III).	2		- control lever.	1
D 437-54	End piece for adjustable control rod, threaded 5 diameter 75 pitch 44 mm. long.	1	123-S	Screw, round head, 5 diameter 10 long (R.III) securing: - front torsion rod on lateral crossmember.	4	615.020	- front relay lever.	1
D 437-55	Control rod, adjustable, 131 mm. long, threaded 5 diameter 75 pitch, (between front relay lever and front torsion rod).	1	126-S-30	Screw, round head, 5 diameter 18 long securing support for control lever (R.III).	1	619.109	- adjustable rod.	2
D 437-56	<i>Distance piece, 5.25 x 8.1 x 22, for lever support. No longer supplied.</i>	2	127-S	Screw, round head, 5 diameter 20 long securing tightening clip on front and rear torsion rods (R.III).	2		- clip for front and rear torsion rods.	2
D 437-57	Pivot pin for front relay control lever, threaded 5 diameter 75 pitch.	1				619.110	- rear support for flexible cable on gusset.	2
D 437-67	End piece for flexible control, threaded 4 diameter, 75 pitch.	2				619.111	Clip securing piping assembly sleeve 220 mm long (R. VI). Since August 1956.	2
D 437-87	Support, rear for flexible control.	1					Nut, hex. 8 diameter 100 pitch, securing flexible control on supports (R. II).	4
							<i>Washer, 6.5 x 12 x 1.5 locking end piece on front torsion rod (R. II). No longer supplied.</i>	1
							<i>Washer, 5.25 x 12 x 0.8 for pin securing flexible cables on front and rear levers (R. II).</i>	2
							<i>Washer, 5.5 x 16 x 5, securing support for control lever on lateral scuttle panel (R. VI). No longer supplied.</i>	1

214-HEIGHT VARIATION CONTROL (LEFT-HAND STEERING)

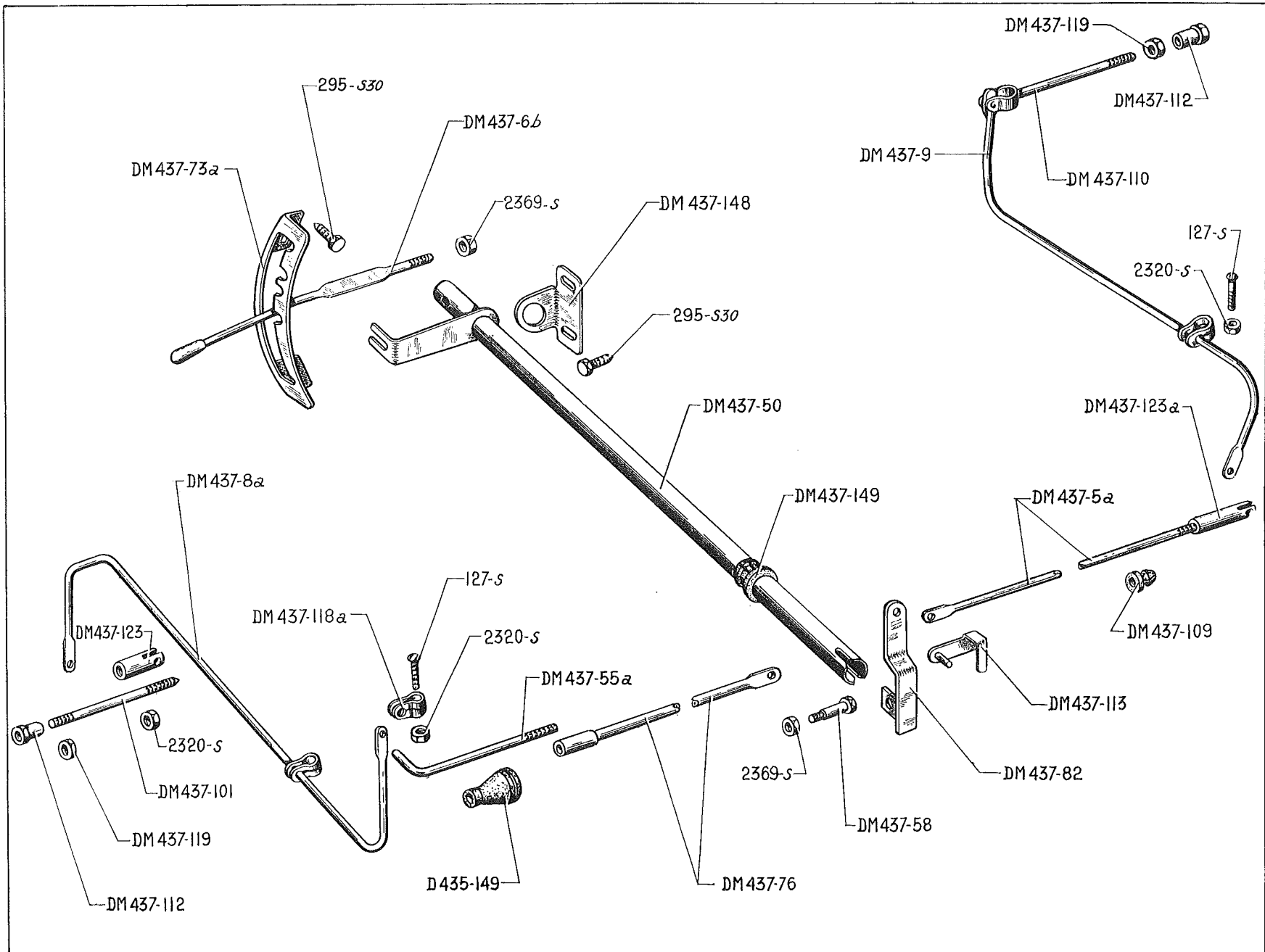


HEIGHT VARIATION CONTROL (LEFT-HAND STEERING)-215

NUMBER	DESCRIPTION	No. OFF	NUMBER	DESCRIPTION	No. OFF	NUMBER	DESCRIPTION	No. OFF
	Since November 1957							
D 435-149	Sleeve, rubber, sealing adjustable control rod 6 x 36 x 60.	1	DM 437-80	Relay lever for manual height variation control.	1	DM 437-119	Locknut 5 diameter, 75 pitch locking front and rear connecting rods for manual height variation control (R.VI).	2
DM 437-5	Rod, rear, connecting manual height variation control 2170 mm long.	1	DM 437-101	Front connecting rod for manual height variation control, threaded 5 diameter 75 pitch, length 81 mm.	1	DM 437-123	Yoke for front and rear connecting rods for manual height variation control, threaded 5 diameter 75 pitch, length 35 mm.	2
DM 437-6	Lever with knob for manual height variation control.	1	DM 437-109	Bearing, nylon for rear connecting rod for manual height variation control (for 8 mm. diameter hole) (R.VI).	4	124-S-30	Screw, round head, 5 diameter 10 long, securing sector on lateral scuttle panel (R.III).	2
DS 437-6	Height control lever with knob, (covered white) PALLAS.	1	DM 437-110	Rod with yoke connecting rear manual height variation control, 96 mm. long.	1	127-S	Screw, round head 5 diameter 20 long (R.III) securing: - tightening clip on lever with knob.	1
DM 437-8a	Front torsion rod complete for manual height variation control.	1	DM 437-112	Nut, 5 diameter 75 pitch locking front and rear connecting rods for manual height variation control, 11.5 mm. long (R.VI).	2		- tightening clip on front and rear torsion rods.	2
DM 437-9	Rear torsion rod complete for manual height variation control.	1	DM 437-113	Connecting pin on manual height control lever.	1	2.319-S	Nut, hex. 5 diameter 75 pitch (R.III) securing: - front connecting rod on yoke.	1
DM 437-55	Rod, adjustable between front torsion rod and manual height variation control.	1	DM 437-118a	Clip, lateral, for front torsion rod for manual height variation control.	1		- tightening clip on front and rear torsion rods.	2
DM 437-73	Quadrant for manual height variation control lever.	1					- tightening clip on lever with knob.	1

The numbers underlined indicate new parts which do not appear on the illustration.

HEIGHT VARIATION CONTROL (RIGHT-HAND STEERING)-217



216-HEIGHT VARIATION CONTROL (RIGHT-HAND STEERING)

NUMBER	DESCRIPTION	No. OFF	NUMBER	DESCRIPTION	No. OFF	NUMBER	DESCRIPTION	No. OFF
D 435-149	Sleeve, rubber sealing for front connecting rod, 6 x 36 x 60.	1	DM 437-109	Bearing, nylon, for rear connecting rod of height variation control (for hole 8 mm diameter) (R. VI).	3	<u>DM 437-149a</u>	Bearing for relay shaft of height variation control, 19.5 mm diameter x 23 x 8.5 (with spigot to prevent rotation) (R. VI). Since January 1964.	2
DM 437-5a	Rod, rear, for height variation control, 1564 mm long.	1	DM 437-110	Rod with plate for connecting rear height variation control, 96 mm long.	1	127-S	Screw, round head, 5 x 20, for securing stop collar on connecting rod (R. III).	2
DM 437-6b	Lever with knob, for height variation control, 227 mm long.	1	DM 437-112	Nut, 5 x 75, for locking the connecting rods, front and rear, of the height variation control, 11.5 mm long (R. VI).	2	295-S 30	Screw, hex. head, pointed, 5 x 16, for securing (R. III): - bracket for relay shaft. - quadrant on sidemember.	2 2
DM 437-8a	Front torsion rod complete for height variation control.	1	DM 437-113	Connecting pin for lever on height variation control.	1	2. 320-S	Nut, hexagon, 5 x 75, for front connecting rod on yoke (R. III): - for stop collar on connecting rod, front and rear.	2
DM 437-9	Rear torsion rod complete for height variation control.	1	DM 437-118a	Stop collar, lateral, for front torsion rod of height variation control.	1	2. 369-S	Nut, hexagon, 6 x 100, for securing (R. III): - relay lever of height variation control. - lever of height variation control.	1 1
DM 437-50	Relay shaft for height variation control, 1352 mm long x 19 mm diameter.	1	DM 437-119	Locknut, 5 x 75, for locking front and rear connecting rods of height variation control (R. VI).	2	SPECIAL PARTS PALLAS		
DM 437-55a	Connecting rod, adjustable, between front torsion rod and height variation control, threaded 5 x 75 (R. VI).	1	DM 437-123	Yoke, for front connecting rod of height variation control, 35 mm long, threaded 5 x 75.	1	<u>DS 437-6a</u>	Height control lever with knob, (covered black).	1
DM 437-58	Screw, hex. head, 6 x 100, length of plain part under head 25 mm x 8 mm diameter for securing relay lever of height variation control (R. VI).	1	DM 437-123a	Yoke, for rear connecting rod of height variation control, 63 mm long, threaded 5 x 75 (R. VI).	1	<u>DS 437-50</u>	Control shaft for height variation (R. VI).	1
DM 437-73a	Quadrant for height variation control lever, 30 mm long (R. VI).	1	DM 437-148	Support for relay shaft of height variation control, 23.2 mm diameter.	1	<u>DS 437-73</u>	Sector for height variation control lever, (covered black) (R. VI).	1
DM 437-76	Pipe, for front connection, 562 mm long, tapped 5 x 75 (R. VI).	1	DM 437-149	Bearing for relay shaft of height variation control, 19.5 mm diameter x 23 x 8.5 (R. VI). Until January 1964.	2	<u>DS 437-148</u>	Bracket for control shaft for height variation (R. VI).	1
DM 437-82	Relay lever for height variation control (R. VI).	1						
DM 437-101	Front connecting rod for height variation control, 81 mm long, threaded 5 x 75 (R. VI).	1						

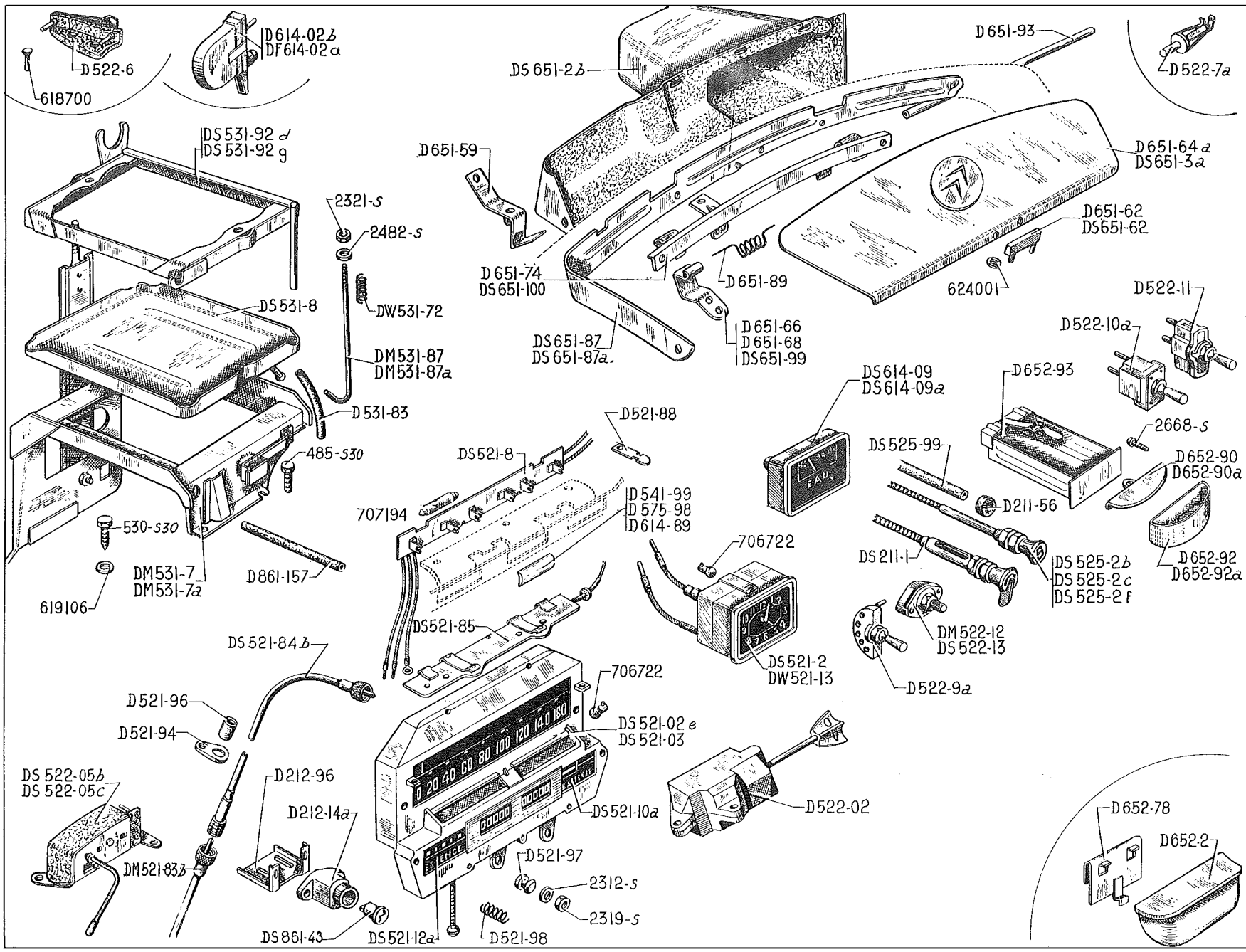
INSTRUMENT BOARD 6 VOLTS-BATTERY-GLOVEBOX-219

NUMBER	DESCRIPTION	No. OFF	NUMBER	DESCRIPTION	No. OFF	NUMBER	DESCRIPTION	No. OFF
	Note - 6 volt U.S.A. ARRANGEMENT. Until December 1959. ALL TYPES. Until September 1960.		DS 521-3a	Speedometer cable, "Jaeger", 1,430 mm long (R. VI). Until May 1958.	1	DS 522-05	Switch, Axo, for direction indicator on dashboard. (R. VI). Since April 1958. Replaces switch Jaz.	1
	INSTRUMENT BOARD SWITCHES CHOKE CONTROL		DS 521-3c	<i>Speedometer cable, "Jaeger", 1,360 mm long (R. VI). May 1958-December 1959. Replaced by DM 521-83b; order in addition: 1-DS 521-84b.</i>	1	D 522-6	Switch for starter motor on gear selector (R. VI).	1
DS 211-1	Ignition control, length 495 mm (R. VI).	1	DS 521-6	Ammeter, "Jaeger" (R. VI).	1	D 522-7a	Switch on front right and left-hand door pillar with 18 mm plunger, for interior lighting and rear boot lighting (R. VI).	3
D 211-56	Bush, 4 x 16 x 20, sealing opening for choke control, Since June 1956.	1	DS 521-6a	Ammeter, "Jaeger" (R. VI). Since September 1958.	1	DM 522-7a	Switch on left-hand front door pillar for interior lighting, length of plunger 27 mm (R. VI). September 1958 - April 1959.	1
D 212-14a	Ignition switch without lock barrel (R. VI).	1	DS 521-6b	Ammeter, ED (Veglia) (R. VI). May 1957 - January 1958.	1	D 522-9a	Switch for parking lights on dashboard (R. VI).	1
D 212-96	Support for ignition switch.	1	D 521-8	<i>Plate holding tell-tale lamp on instrument panel (without bulb). No longer supplied.</i>	1	D 522-10a	Switch for windscreen wiper on dashboard (R. VI).	1
DS 521-02a	<i>Instrument panel, "Jaeger", ammeter to the left (R. VI). Until September 1958. Replaced by DS 521-02c.</i>	1	DS 521-11	<i>Petrol gauge, fitted on left side on panel (R. VI). U.S.A. Until September 1958. No longer supplied.</i>	1	D 522-11	Switch for interior lamp on dashboard (R. VI).	1
DS 521-02c	Instrument panel, "Jaeger", ammeter to the right (R. VI). Since September 1958.	1	DS 521-13a	<i>Clock, electric, "Jaeger", 6 volts, on instrument board (R. VI). Since May 1959. No longer supplied.</i>	1	D 522-12a	Rheostat switch for instrument panel light (R. VI).	1
DS 521-02d	<i>Instrument panel ED (Veglia) (R. VI). May 1957 - January 1958. Replaced by DS 521-02c.</i>	1	DM 521-83b	Speedometer cable, "Jaeger", part for gearbox end, 1030 mm long (R. VI). Since December 1959.	1	D 522-13a	Switch for demister motor on dashboard (R. VI).	1
DS 521-08	<i>Instrument panel, "Jaeger", graduated in miles, ammeter to the left (R. VI). U.S.A. Until September 1958. Replaced by DS 521-08c.</i>	1	DS 521-84b	Speedometer cable "Jaeger", part for speedometer end, 320 mm long (R. VI). Since December 1959.	1	DS 525-2	<i>Choke control, 500 mm long (R. VI). Until June 1956. Replaced by DS 525-2b; order in addition: 1-DS 211-56, 1-DS 525-99.</i>	1
DS 521-08c	Instrument panel, "Jaeger", graduated in miles, ammeter to the right (R. VI). U.S.A. Since September 1958.	1	DS 521-85	Plate holding lamp lighting "Jaeger" instrument panel (without bulb) (R. VI).	1	DS 525-2b	Choke control, 560 mm long (R. VI). Since June 1956.	1
DS 521-1	Petrol gauge, "Jaeger" (R. VI). Until September 1958.	1	D 521-88	Spring retaining plate holding lamp (R. VI).	2	DS 525-99	Rubber, anti-rattle for choke control, 200 mm long. Since June 1956.	1
DS 521-1b	Petrol gauge, "Jaeger" (R. VI). Since September 1958.	1	D 521-94	Plate securing speedometer cable.	1	D 541-99	Tell-tale light, blue, for headlamps (R. VI).	1
DS 521-1c	Petrol gauge, ED (Veglia), (R. VI). May 1957 - January 1958.	1	D 521-96	Sleeve, rubber, 8 x 22 x 20, protecting speedometer cable.	2	D 575-98	Tell-tale light, green, for direction indicator lights (R. VI).	1
DS 521-2	Clock, mechanical on ashtray (R. VI). Until May 1959.	1	D 521-97	Washer, rubber, 6 x 20 x 11, for centring instrument panel.	2	D 614-02b	Pressure switch for brakes (R. VI).	2
D 521-3b	Speedometer cable ED (Veglia), 1,450 mm long (R. VI). May 1957 - January 1958.	1	D 521-98	Spring, .5.7 x 21, securing instrument panel.	2	D 614-89	Tell-tale, red, for brakes (R. VI).	1
			D 522-02	Switch for lighting and horn (R. VI).	1	D 652-90	Plate securing ashtray finisher, without clock, Since May 1959.	1
						D 652-90a	Plate securing clock on ashtray (R. VI). Until May 1959.	1

220-INSTRUMENT BOARD 6 VOLTS-BATTERY-GLOVEBOX-

NUMBER	DESCRIPTION	No. OFF	NUMBER	DESCRIPTION	No. OFF	NUMBER	DESCRIPTION	No. OFF
D 652-92	<i>Finisher for ashtray, arrangement without clock, width 22 mm. Since May 1959. No longer supplied.</i>	1	DM 531-2a	Support for battery. Since June 1960.	1	530-S 30	Screw, hex. head, 9 diameter x 22 long, securing front support for battery (R. III).	1
D 652-92a	<i>Transparent finisher for clock, width 31.5 mm (R. VI). Until May 1959. No longer supplied.</i>	1	D 531-3	Tray for battery (R. VI). Until November 1957.	1	2.319-S	Nut, hex., 5 diameter x 75 pitch, for tie-rod securing battery (R. III). Until November 1957.	2
D 652-93	Ashtray, front, without clock, on dashboard.	1	DM 531-3	Tray for battery (R. VI). Since November 1957.	1	2.482-S	Washer, 7.5 x 14, for nuts locking spring on tie-rod (R. III).	2
DS 861-43	Lock barrel for switch (R. V).	1	DW 531-72	Spring on tie-rod, internal diameter 8.5 mm, length 20 mm. April 1957 - November 1957. Since November 1957.	1 2	2.491-S	Nut, hex., 7 diameter x 100 pitch, tightening battery tie-rod (R. III). Since November 1957.	2
2.312-S	Washer, 5.5 x 9, for nuts securing instrument panel (R. III).	4	DS 531-76	Protection plate for battery (R. VI). Until November 1957.	1	619.106	Washer, 9.5 x 24 x 2, for screw securing battery support on front engine crossmember (R. III). Since November 1957.	1
2.319-S	Nut, hex., 5 diameter x 75 pitch, for screws securing instrument panel (R. III).	2	D 531-83	Water drain pipe on battery tray, 8 x 10 x 500 mm long (R. VI).	1		GLOVEBOX ASHTRAY	
2.668-S	Screw, PK, 3.5 x 10, securing plate on ashtray (R. VI).	2	D 531-87	Tie-rod securing battery on support threaded 5 diameter x 75 pitch, 290 mm long. Until November 1957.	2	DS 651-2b	Glovebox, without housing for hand mirror.	1
618.700	Rivet securing starter switch contact (R. III).	2	DM 531-87	Tie-rod, rear, securing battery frame, threaded 7 diameter x 100 pitch, 270 mm long. November 1957 - June 1960.	1	DS 651-8	Hand mirror (R. VI). Until October 1958.	1
706.616	Bulb, 6 volts, 1.5 watts, glass 11 diameter for illuminating "Jaeger" instrument panel (R. VI).	2	DM 531-87a	Tie-rod, rear, securing battery frame, threaded 7 diameter x 100 pitch, 270 mm long. Since June 1960.	1	D 651-59	Support for glovebox, lower part.	1
707.193	Bulb, 6 volts, 4 watts, for instrument board tell-tale (R. VI).	1	D 531-89	<i>Rubber packing piece for battery. Until November 1957. No longer supplied.</i>	1	D 651-62	Finger plate for lifting glovebox lid (R. VI).	1
707.194	Bulb, 12 volts, 4 watts, for instrument board tell-tale (R. VI).	2	D 531-92	Flange securing battery. Until July 1957.	1	D 651-64a	<i>Lid for glovebox. Replaced by DS 651-3a; order in addition: 1-DS 651-87a, 2-DS 651-99.</i>	1
707.255	Bulb, 6 volts, 1.5 watts, for illuminating clock (R. VI). Since May 1959.	1	DS 531-92	Frame securing battery with plate securing piping (R. VI). Since November 1957.	1	D 651-66	<i>Hinge, right-hand for lid. No longer supplied.</i>	1
	BATTERY		DS 531-92b	Flange securing battery with rod fixing GELBON starter solenoid. July 1957 - November 1957.	1	D 651-68	Hinge, left-hand for lid.	1
	For all particulars of the battery, apply direct to the makers : DININ, TUDOR, TEM, FULMEN or their official agents.		D 861-157	Sheath, 4.5 x 6 x 630 on battery support protecting bonnet opening cable (R. VI).	1	D 651-74	Bracket for hinge pin for glovebox lid.	1
	FIXING		485-S 30	Screw, hex. head, 7 diameter x 30 long, securing battery support on sidemember (R. III).	3	D 651-76	Spring, right-hand for glovebox lid.	1
D 531-2	Support for battery. Until November 1957.	1				DS 651-87	Closing panel between glovebox and dashboard, upper part.	1
DM 531-2	<i>Support for battery without bonnet stay. November 1957-June 1960. Replaced by DM 531-2a; order in addition: 1-DM 531-87a.</i>	1				D 651-89	Spring, left-hand for glovebox lid.	1
						D 651-93	Hinge pin, for glovebox lid, 402 mm long.	1
						D 652-2	Ashtray, rear (R. VI).	1
						D 652-78	Plate securing rear ashtray (R. VI).	1
						D 652-93	Ashtray, front, without clock, on dashboard.	1
						624.001	Washer, flexible, 4 mm hole for finger plate of glovebox (R. VI).	2

222-INSTRUMENT BOARD 12 VOLTS-BATTERY-GLOVE BOX

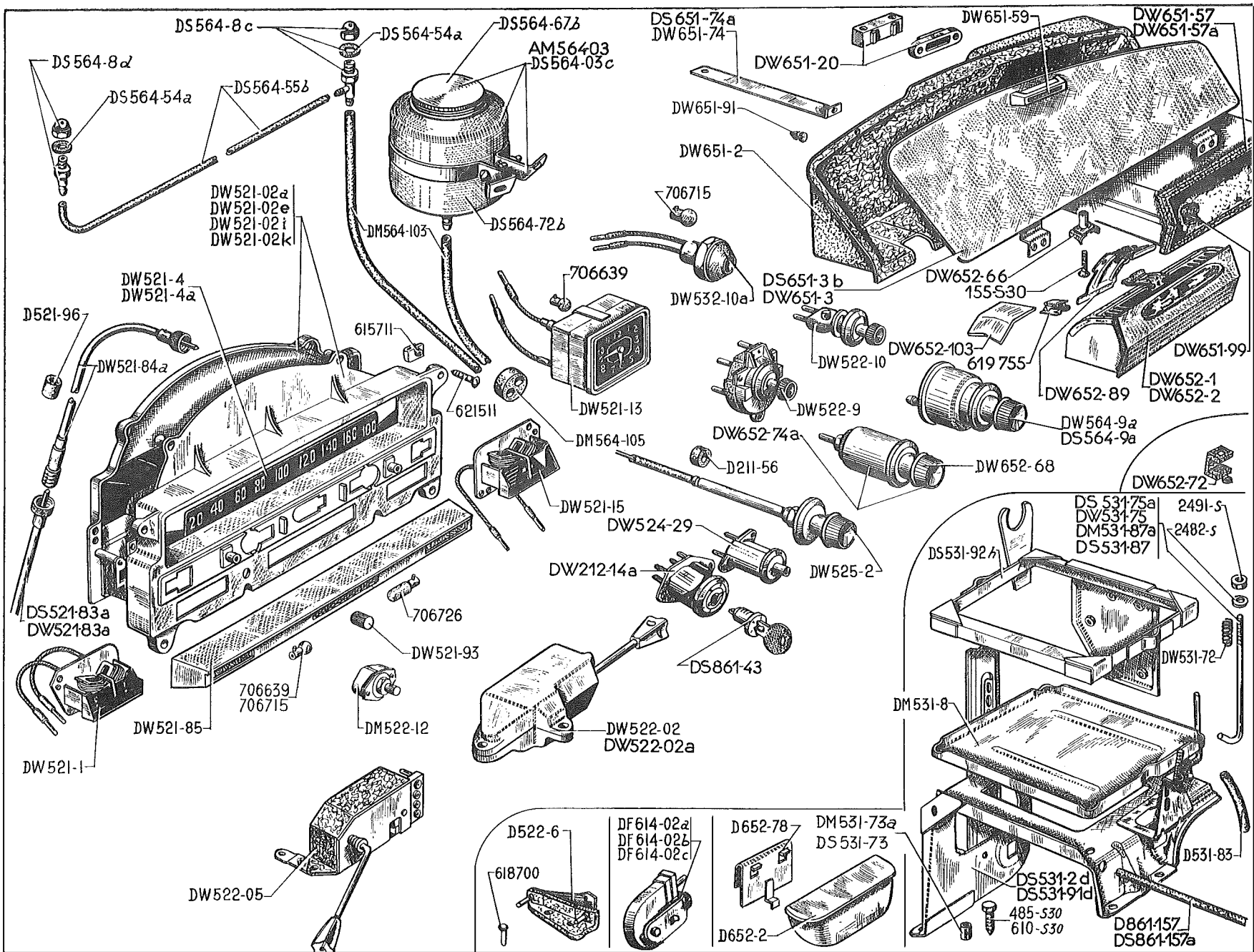


NUMBER	DESCRIPTION	No. OFF	NUMBER	DESCRIPTION	No. OFF	NUMBER	DESCRIPTION	No. OFF
	PRESTIGE June 1959-August 1961		D 521-96	Bush, rubber, 8 x 22 x 20, protecting speedometer cable.	2	DF 614-02a	Pressure switch for brake (round shape) (R. VI). Since December 1960.	1
	U.S.A. December 1959-August 1961		D 521-97	Washer, rubber, 6 x 20 x 11, for centring instrument panel.	2	D 614-02b	Pressure switch for brake (R. VI). Until July 1960.	2
	ALL TYPES Spetember 1960-August 1961		D 521-98	Spring, 5.7 x 21, for securing instrument panel.	2	DS 614-09	Temperature gauge, Jaeger, 12 volts, on dashboard (R. VI). Cold Climates, Europe. Since December 1960.	1
	INSTRUMENT BOARD SWITCHES CHOKE CONTROL		D 522-02	Switch for lighting and horn (R. VI).	1	DS 614-09a	<i>Temperature gauge, Jaeger, 12 volts on dashboard (R. VI). Cold Climates. U.S.A. Since December 1960. No longer supplied.</i>	1
DS 211-1	Ignition control, 495 mm long (R. VI). Until March 1961.	1	DS 522-05b	Switch "Axo" for direction indicator lights (R. VI). U. S. A.	1	D 614-89	Tell-tale light, red, for brake (R. VI).	1
D 211-56	Bush, 4 x 16 x 20, sealing hole for choke control.	1	DS 522-05c	Switch "Axo" for direction indicator lights (R. VI).	1	D 652-90	Plate securing finisher on ashtray (R. VI).	1
D 212-14a	Ignition switch without lock barrel (R. VI).	1	D 522-6	Contact for starter motor on gear selector lever (R. VI).	1	D 652-90a	Plate securing clock on ashtray (R. VI). Cold Climates. Since December 1960.	1
D 212-96	Support for ignition switch.	1	D 522-7a	Switch on front right and left-hand door pillar for interior and boot lighting (R. VI).	3	D 652-92	<i>Finisher for ashtray (R. VI). No longer supplied.</i>	1
DS 521-02e	Instrument panel, 12 volts, Jaeger, graduated in miles (R. VI). U. S. A.	1	D 522-9a	Switch for parking light on dashboard (R. VI).	1	D 652-92a	<i>Finisher transparent for clock, width 31.5 (R. VI). Cold Climates. Since December 1960. No longer supplied.</i>	1
DS 521-03	Instrument panel, Jaeger (R. VI).	1	D 522-10a	Switch for windscreen wiper, on dashboard (R. VI).	1	D 652-93	Ashtray, front, without finisher, on dashboard.	1
DS 521-2	Clock, mechanical on ashtray (R. VI). Cold Climates, Europe and U. S. A. Since December 1960.	1	D 522-11	Switch for interior light, on dashboard (R. VI).	1	DS 861-43	Lock barrels for switch (R. VI).	1
DS 521-8	Plate holding tell-tale lamp on instrument panel (without bulb).	1	DM 522-12	Rheostat switch for instrument panel light (R. VI).	1	2. 312-S	Washer, 5.5 x 9, for nuts securing dashboard (R. III).	4
DS 521-10a	Ammeter, Jaeger (R. VI).	1	DS 522-13	Rheostat switch for demister motor (R. VI).	1	2. 319-S	Nut, hex., 5 diameter x 75 pitch, for screws securing instrument board (R. III).	2
DS 521-12a	Petrol gauge, Jaeger (R. VI).	1	DS 525-2b	<i>Choke control, 560 mm long (R. VI). Until March 1961. Replaced by DS 525-2c.</i>	1	2. 668-S	Screw, P.K. 3.5 x 10, securing plate on ashtray (R. VI).	2
DW 521-13	Clock, electric, Jaeger, 12 volts, on instrument board (R. VI).	1	DS 525-2c	Choke control, sheath in Rilsan, 560 mm long (R. VI). Since March 1961.	1	618.700	Rivet securing starter contact (R.III).	2
DM 521-83b	Speedometer cable, Jaeger, part for gear box end, 1.030 mm long (R. VI).	1	DS 525-2f	Choke control, sheath in Rilsan, knob marked "CHOKE" 560 mm long (R. VI). U.S.A. Since March 1961.	1	706.722	Bulb, 12 volts, 2 watts, lighting instrument panel and clock (R. VI).	3
DS 521-84b	Speedometer cable, Jaeger, part for speedometer end, 320 mm long (R. VI).	1	DS 525-99	Rubber, anti-rattle for choke control 200 mm long.	1	707.194	Bulb, 12 volts, 4 watts, 2 pole for instrument board tell-tale (R. VI).	2
DS 521-85	Plate for holding lamp for lighting Jaeger instrument panel (without bulb) (R. VI).	1	D 541-99	Tell-tale, blue, for headlamps (R. VI).	1			
D 521-88	Spring retaining plate holding lamp (R. VI).	2	D 575-98	Tell-tale, green, for direction indicator lights (R. VI).	1			
D 521-94	<i>Plate securing speedometer cable. No longer supplied.</i>	1						

224-INSTRUMENT BOARD 6 VOLTS-BATTERY-GLOVEBOX

NUMBER	DESCRIPTION	No. OFF	NUMBER	DESCRIPTION	No. OFF	NUMBER	DESCRIPTION	No. OFF
	BATTERY							
	For all particulars of batteries, apply direct to the makers : DININ, TUDOR, TEM, FULMEN or their official agents.							
	FIXING							
DM 531-7	<i>Support for battery. Until June 1960. Replaced by DM 531-7a; order in addition: 1-DM 531-87a.</i>	1	2.482-S	Washer, 7.5 x 14, for nuts locking spring on tie-rod (R. III).	2	DS 651-99	Hinge, right-hand and left-hand for glovebox lid. Since October 1960.	2
DM 531-7a	Support for battery. Since June 1960.	1	2.491-S	Nut, hex., 7 diameter x 100 pitch, tightening battery tie-rod (R. III).	2	DS 651-100	Reinforcement for hinge on lid. Since October 1960.	1
DS 531-8	<i>Tray for battery with retaining plate for water return from heater. (R. VI). No longer supplied.</i>	1	619.106	Washer, 9.5 x 24 x 2, for screw securing support for battery on front engine crossmember (R. III).	1	D 652-2	Ashtray, rear (R. VI).	1
DW 531-72	Spring on battery tie-rod, internal diameter 8.5, length 20 mm.	2		GLOVE BOX ASHTRAYS		D 652-78	Plate securing rear ashtray (R. VI).	1
D 531-83	Drain pipe for water on battery tray 8 x 10, 500 mm long (R. VI).	1	DS 651-2b	Glovebox.	1	624.001	Flexible washer, 4 mm hole for finger plate of glovebox (R. VI).	2
DM 531-87	Tie-rod, rear, securing battery frame, threaded 7 diameter x 100 pitch, 270 mm long. Until June 1960.	1	DS 651-3a	Lid for glovebox. Since October 1960.	1		SPECIAL PARTS ON PARTITION PRESTIGE	
DM 531-87a	Tie-rod, rear, securing battery frame, threaded 7 diameter x 100 pitch, 270 mm long. Since June 1960.	1	D 651-59	Support for glovebox, lower part.	1	D 652-74	Cigar lighter, 12 volts (R. VI).	1
DS 531-92d	Frame securing battery. Until September 1960.	1	D 651-62	<i>Finger plate for opening glovebox lid (R. VI). Until October 1960. No longer supplied.</i>	1	D 651-101	Glovebox (R. VI).	1
DS 531-92g	Frame securing battery with support for regulator and rod securing starter solenoid. Since September 1960.	1	DS 651-62	Finger plate for opening glovebox lid (R. VI). Since October 1960.	1	D 522-20	Knob for interior light switch and radio (R. VI).	3
D 861-157	Sheath, 4.5 x 6 x 630 on support for battery protecting bonnet opening cable (R. VI).	1	D 651-64a	<i>Lid for glovebox. Until October 1960. Replaced by DS 651-3a; order in addition: 1-DS 651-87a, 2-DS 651-99.</i>	1	D 652-75	Ashtray, rear, black cover (R. VI).	1
485-S 30	Screw, hex. head, 7 diameter x 30 long, securing battery support on sidemember (R. III).	3	D 651-66	<i>Hinge, right-hand for lid. Until October 1960. No longer supplied.</i>	1	D 652-75a	Ashtray, rear, varnished cover (R. VI).	1
530-S 30	Screw, hex. head, 9 diameter x 22 long, securing front of battery support (R. III).	1	D 651-68	Hinge, left-hand for lid. Until October 1960.	1	D 522-13b	Switch for ventilation motor (R. VI).	1
			D 651-74	Bracket for hinge pin on glovebox lid.	1	D 522-21	Plunger switch for inter-phone or radio (R. VI).	1
			D 651-76	Spring, right-hand, for glovebox lid.	1	A 522-9	Switch for interior light and radio (R. VI).	3
			DS 651-87	Closing panel between glovebox and dashboard, upper part. Until October 1960.	1	D 521-16	Clock, "Jaeger" (R. VI).	1
			DS 651-87a	Closing panel between glovebox and dashboard. Since October 1960.	1	D 522-18	Potentiometer for radio (R. VI).	1
			D 651-89	Spring, left-hand for glovebox lid,	1			
			D 651-93	Hinge pin for glovebox lid, 402 mm long.	1			

226-INSTRUMENT BOARD 12 VOLTS-BATTERY-GLOVE BOX-WINDSCREEN WASHER



INSTRUMENT BOARD 12 VOLTS-BATTERY-GLOVEBOX-WINDSCREEN WASHER-227

Make of Panel	Number of Panel	Speedometer	Petrol Gauge	Temperature Gauge	Tell-tale Lamps	Graduation	Types	Remarks
SINCE AUGUST 1961								
JAEGER	DW 521-02a	DW 521-4	DW 521-1	Without	DW 521-85	180 Kms		Until November 1964.
JAEGER	DW 521-02e	DW 521-4	DW 521-1	DW 521-15	DW 521-85	180 Kms	Cold Climates. All types.	Since November 1964.
JAEGER	DW 521-02i	DW 521-4a	DW 521-1	Without	DW 521-85	120 Miles	U. S. A. and R. H. Steering.	Until November 1964.
JAEGER	DW 521-02k	DW 521-4a	DW 521-1	DW 521-15	DW 521-85	120 Miles	U. S. A. and R. H. steering. Cold Climates. All types.	Since November 1964.

NOTE: The 120 miles instrument board replaces for U.S.A. instrument board graduated to 110 miles.

NUMBER	DESCRIPTION	No. OFF	NUMBER	DESCRIPTION	No. OFF	NUMBER	DESCRIPTION	No. OFF
	Since August 1961		<u>DS 521-106</u>	Clip holding flexible speedometer drive on gear selector (R. VI). Hydraulic control.	1	DW 522-10	Switch (R. VI): - windscreen wiper. Until September 1964. - interior light. - heater. - iodine quartz lamp PALLAS.	1
D 211-56	Bush, 4 x 16 x 20, sealing opening for choke control.	1	DW 522-02	Switch for lighting and horn (R. VI). L. H. steering. Hydraulic control.	1			1
<u>DW 212-14a</u>	<i>Ignition switch without lock barrel (R. VI). Until September 1964. Replaced by DW 212-14c.</i>	1	DW 522-02a	Switch for lighting and horn (R. VI). R. H. steering. Manual gear change control.	1	DM 522-12	Rheostat switch for instrument panel light (R. VI).	1
<u>DW 212-14c</u>	Ignition switch without locking barrel (R. VI). Since September 1964.	1	DW 522-05	Switch "Axo" for direction indicator lights (R. VI). Except U. S. A. Until January 1964.	1	<u>DS 522-12</u>	Rheostat switch for instrument panel light (R. VI). ITALY.	1
DW 521-13	Clock, electric, "Jaeger", 12 volts on dashboard (R. VI).	1	<u>DW 522-05b</u>	Switch "Axo" for direction indicator lights (R. VI). U. S. A.	1	DW 524-29	Switch for starter solenoid on dashboard (R. VI). Manual gear change control.	1
DS 521-83a	Speedometer cable "Jaeger", part for gearbox end, 1320 mm long (R. VI). R. H. steering.	1	<u>DW 522-05d</u>	Switch "Axo" for direction indicator lights with headlamp flasher (R. VI). Except U. S. A. Since January 1964.	1	DS 525-2g	Choke control, length of cover 465 mm (R. VI). R.H. steering. Until September 1964.	1
DW 521-83a	Speedometer cable "Jaeger", part for gearbox end, 945 mm long (R. VI). L. H. steering.	1	D 522-6	Contact for starter motor on gear selector lever (R. VI). Hydraulic control.	1	DW 525-2	Choke control with knurled knob, 515 mm long (R. VI).	1
DW 521-84a	Speedometer cable, "Jaeger", part for speedometer end, 400 mm long (R. VI).	1	<u>DM 522-9b</u>	Switch for parking lights (R. VI). Since September 1964.	1	DW 532-10a	Tell-tale, red, for battery charge without bulb (R. VI). Since May 1962.	1
DW 521-93	Knob for setting speedometer trip to zero (R. VI).	1	DW 522-9	Switch for parking lights (R. VI). Until September 1964.	1	<u>DS 571-7</u>	Solenoid (Sanor) for headlamp flasher on dash (R. VI). Except U.S.A. Since January 1964.	1
D 521-96	Bush, rubber, 8 x 22 x 20, for protection of speedometer cable.	2	<u>DS 522-10</u>	Switch for windscreen wiper (R. VI). Since September 1964.	1	DS 861-43	Lock barrel for switch (R. VI).	1

The numbers underlined indicate new parts which do not appear on the illustration.

Catalogue No. 466 - March 1966.

228-INSTRUMENT BOARD 12 VOLTS-BATTERY-GLOVEBOX-WINDSCREEN WASHER

NUMBER	DESCRIPTION	No. OFF	NUMBER	DESCRIPTION	No. OFF	NUMBER	DESCRIPTION	No. OFF	
615.711	Nut clip for 5 mm diameter screws securing panel (R. VI).	5	DS 531-73	Distance piece, 9.5 x 16 x 31.5, securing battery support. Until September 1962.	1		GLOVE BOX ASHTRAYS MAP POCKET		
618.700	Rivet securing starter contact (R. III).	2	DS 531-75a	Tie-rod, front, securing battery frame, 164 mm long. Since September 1962.	2	<u>DS 651-2c</u>		Glovebox. R. H. steering.	1
621.511	Screw, raised head countersunk, 5 diameter x 30 long, securing instrument panel (R. VI).	5	DW 531-75	Tie-rod, front, securing battery frame, 143 mm long. Until September 1962.	1	<u>DS 651-2d</u>		Glovebox. L. H. steering. Since September 1964.	1
706.639	Bulb, 12 volts, 1.5 watts (R. VI): Until March 1965. - lighting on instrument panel. - for clock. - for battery charging light. Since May 1962.	2 1 1	D 531-83	Water drain pipe on battery tray, 8 x 10 x 500 mm long. Until October 1964.	1	DW 651-2		<i>Glovebox, L.H. steering. Until September 1964. Replaced by DS 651-2d.</i>	1
706.715	Bulb, 24 volts, 3 watts (R. VI): - for headlamp tell-tales and direction indicator light on panel. - tell-tale for battery charge on dashboard. Until May 1962.	2 1	DM 531-87a	Tie-rod, rear, securing battery frame, threaded 7 diameter x 100 pitch, 270 mm long. Until October 1961.	1	DS 651-3b		Glovebox lid, R. H. steering.	1
706.726	Bulb, 12 volts, 4 watts, for brake tell-tale on panel (R. VI). Until March 1965.	1	DS 531-87	Tie-rod, rear, securing battery frame, threaded 7 diameter x 100 pitch, 245 mm long. October 1961 - September 1962.	1	DW 651-3		Glovebox lid, L. H. steering.	1
<u>706.747</u>	Bulb, 12 volts, 2 watts (R. VI): - for lighting Instrument Board. - for brake tell-tale light. Since March 1965.	2 1	DS 531-91d	Support for battery with plate supporting heater pipe. Since September 1962.	1	DW 651-4		<i>Map pocket, L.H. steering. Until September 1964. Replaced by DW 651-4a.</i>	1
	BATTERY		DS 531-92h	Frame retaining battery.	1	<u>DW 651-4a</u>		Map pocket. L. H. steering. Since September 1964.	1
	For all particulars of the battery, apply direct to the makers: DININ, TUDOR, TEM, FULMEN or their official agents.		<u>DS 531-92i</u>	Frame retaining battery with support for relay for iodine quartz lamps. PALLAS.	1	DS 651-9		Map pocket. R. H. steering.	1
	FIXING		D 861-157	Sheath, 4.5 x 6 x 630 on battery support, protecting bonnet opening cable, left-hand (R. VI).	1	DW 651-20		Body and backplate assembled for magnetic closing of glovebox lid (R. VI).	1
DS 531-2d	Support for battery. Until September 1962.	1	DS 861-157a	Sheath, 4.5 x 6 x 350, protecting bonnet opening cable, right-hand (R. VI). Since September 1962.	1	DW 651-57	Lining for map pocket (R. VI). L. H. steering. Until September 1964.	1	
DM 531-8	<i>Tray for battery. Until October 1964. Replaced by DS 531-60.</i>	1	485-S 30	Screw, hex. head, 7 diameter x 30 mm long, fixing battery support on sidemember (R. III).	3	DW 651-57a	Lining for map pocket (R. VI). R. H. steering. L. H. steering. Since September 1964.	1	
<u>DS 531-60</u>	Tray for battery (R. VI). Since October 1964.	1	610-S 30	Screw, hex. head, 9 diameter x 55 mm long, pointed, securing front of battery support (R. III).	1	DW 651-59	Finger plate for glovebox lid.	1	
DW 531-72	Spring on battery tie-rod, internal diameter 8.5, length 20 mm	2	2.482-S	Washer, 7.5 x 14, for nuts locking spring on tie-rod (R. III).	2	DS 651-74a	Strap securing glovebox. 315 mm long. R. H. steering.	1	
DM 531-73a	Distance piece, 9.5 x 16 x 21.5, securing battery support. Since September 1962.	1	2.491-S	Nut, hex., 7 diameter x 100 pitch, tightening battery tie-rod (R. III).	2	DW 651-74	Strap securing glovebox, 270 mm long. L. H. steering.	1	
						DW 651-91	Stop for glovebox lid.	1	
						DW 651-99	Nut, 5 diameter x 75 pitch, in Rilsan securing map pocket (R. VI). Until September 1962.	3	
						DW 652-1	<i>Ashtray, front (R. VI). September 1962 - September 1964. Replaced by 652-1a.</i>	1	

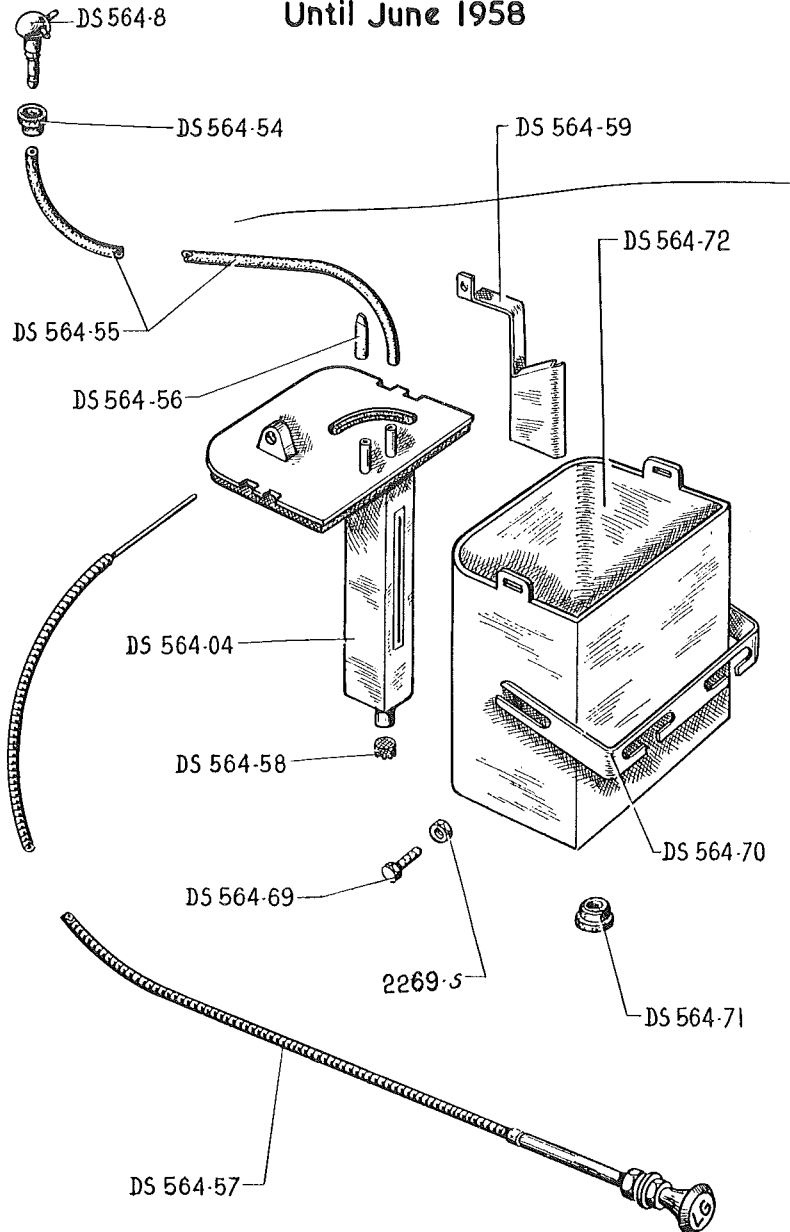
INSTRUMENT BOARD 12 VOLTS-BATTERY-GLOVEBOX-WINDSCREEN WASHER-23I

NUMBER	DESCRIPTION	No. OFF	NUMBER	DESCRIPTION	No. OFF	NUMBER	DESCRIPTION	No. OFF
DW 652-1a	Ashtray, front, (R. VI). Since September 1964.	1	<u>DS 652-1a</u>	<i>Front ashtray. Replaced by DX 652-1.</i>	1	DS 564-72b	Reservoir without lid, or clip (R. VI).	1
D 652-2	Ashtray, rear, (R. VI). Until September 1964.	1	<u>DS 652-2</u>	Rear ashtray.	2	DM 564-103	Pipe, 6 mm diameter for delivery from pump to reservoir and feed to right-hand nozzle, 1 m long (R. VI).	2
<u>DS 652-2a</u>	Ashtray, rear, let into the front seat squab. Since September 1964.	1	DF 614-02a	Pressure switch for brake, round shape (R. VI). Until September 1962.	1	DM 564-105	Protector, rubber, for pipes, 2 holes 6 mm (R. VI).	2
DW 652-2	Ashtray, front (R. VI). Until September 1962.	1	<u>DF 614-02b</u>	<i>Pressure switch for rectangular "stop" lamp (R. VI). Replaced by DF 614-02a.</i>	1	<u>1.059-S</u>	Grommet, rubber, 5 x 18 x 4, for passage of windscreen washer pipe on bonnet.	2
DW 652-66	Backplate securing ashtray (R. VI). Since September 1962.	1	DF 614-02c	<i>Pressure switch for brake with straight plate and dowel (R. VI). Since September 1962. Replaced by DF 614-02d.</i>	1	SPECIAL PARTS ON PARTITION PRESTIGE		
DW 652-68	Push-button for cigar lighter (R. VI).	1	AM 564-03	Windscreen washer reservoir with right fixing plate (R. VI). R. H. steering.	1	D 652-74	Cigar lighter, 12 volts (R. VI).	1
DW 652-72	Guide stop for ashtray (R. VI). Until September 1962.	1	DS 564-03c	Reservoir complete (R. VI).	1	D 651-101	Glovebox (R. VI).	1
DW 652-74a	Cigar lighter (R. VI).	1	DS 564-8c	Nozzle with double union, right-hand (R. VI).	1	D 522-20	Knob for interior light switch and radio (R. VI).	3
D 652-78	Plate securing rear ashtray (R. VI). Until September 1964.	1	DS 564-8d	Nozzle with single union, left-hand (R. VI).	1	D 652-75	Ashtray, rear, black lid (R. VI).	1
DW 652-89	Guide for ashtray (R. VI). Since September 1962.	1	DS 564-9a	Pump for windscreen washer (R. VI). R. H. steering.	1	D 652-75a	Ashtray, rear, varnished lid (R. VI).	1
DW 652-103	Guide plate for ashtray. Since September 1962.	2	DW 564-9a	Pump for windscreen washer (R. VI). L. H. steering.	1	D 522-13b	Switch for ventilation motor (R. VI).	1
155-S 30	Screw, countersunk head, 5 mm diameter x 15 long, securing guide (R. III). Since September 1962.	1	DS 564-54a	Joint for nozzle (R. VI).	1	D 522-21	Plunger switch for inter-phone or radio (R. VI).	1
619.755	Clip securing ashtray (R. VI). Since September 1962.	4	DS 564-55b	Pipe, 4 mm diameter for feed from right-hand nozzle to left-hand nozzle, 1 m long (R. VI).	1	A 522-9	Switch for interior light and radio (R. VI).	3
ASHTRAYS MAP POCKETS SPECIAL PARTS PALLAS			DS 564-67b	Lid for reservoir (R. VI).	1	D 521-16	<i>Clock "Jaeger" (R. VI). No longer supplied.</i>	1
<u>DS 651-9a</u>	Map pocket. L. H. steering.	1				D 522-18	Potentiometer for radio (R. VI).	1
<u>DS 651-9b</u>	Map pocket. R. H. steering.	1						
<u>DS 651-57</u>	Lining for map pocket. (R. VI).	1						
<u>DW 651-59</u>	Catch for opening front ashtray.	1						

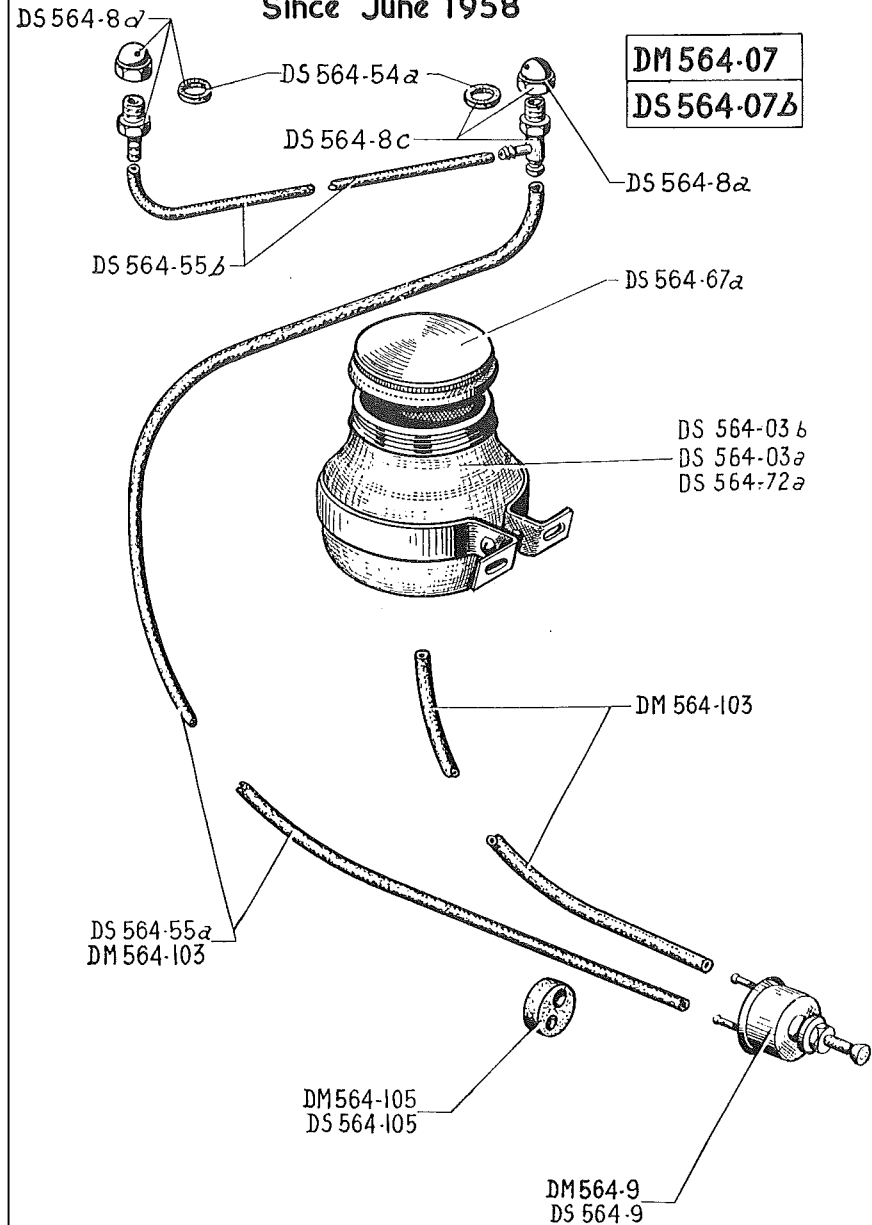
The numbers underlined indicate new parts which do not appear on the illustration.

Catalogue No. 466 - March 1966.

Until June 1958



Since June 1958



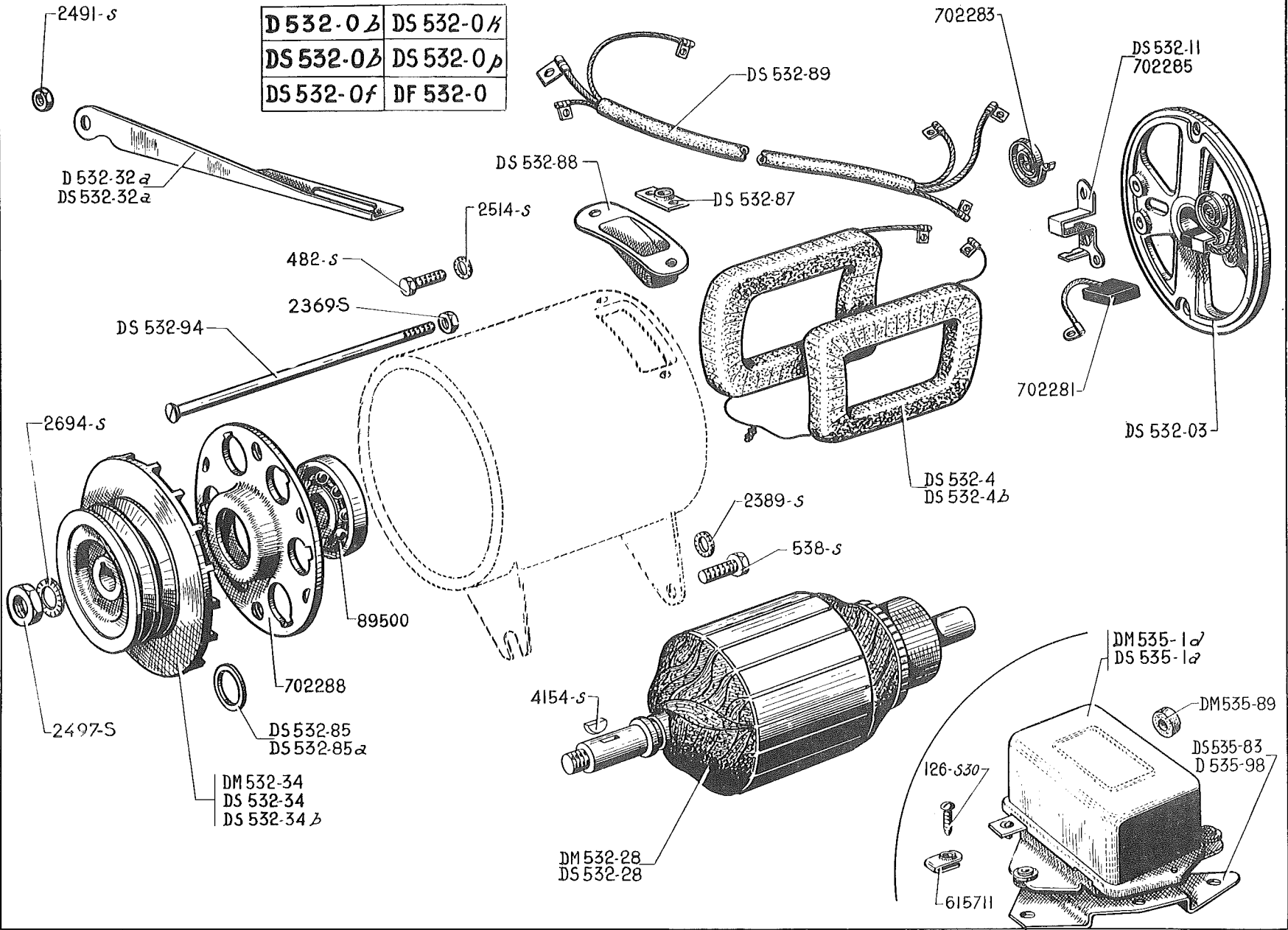
232-WINDSCREEN WASHER

NUMBER	DESCRIPTION	No. OFF	NUMBER	DESCRIPTION	No. OFF	NUMBER	DESCRIPTION	No. OFF
	WINDSCREEN WASHER S.E.A.I. Until June 1958			WINDSCREEN WASHER TRANSPAR WITH ONE NOZZLE June 1958 - September 1958			WITH TWO NOZZLES September 1958 - August 1961	
DS 564-04	<i>Lid complete for reservoir (R. VI). No longer supplied.</i>	1	DS 564-03a	<i>Reservoir complete (R. VI). Replaced by DS 564-03c.</i>	1	DS 564-03a	<i>Reservoir complete (R. VI). Until Sep- tember 1960. Replaced by DS 564- 03c.</i>	1
DS 564-8	<i>Nozzle (R. VI). No longer supplied.</i>	1	DM 564-07	<i>Windscreen washer complete (R. VI). Replaced by DS 564-07b.</i>	1	DS 564-03b	<i>Reservoir complete (R. VI). Since Sep- tember 1960. Replaced by DS 564- 03c.</i>	1
DS 564-54	<i>Joint, rubber for nozzle (R. VI). No longer supplied.</i>	1	DS 564-8a	Nozzle (R. VI).	1	DS 564-07b	Windscreen washer complete (R. VI).	1
DS 564-55	<i>Pipe from reservoir to nozzle (R. VI). No longer supplied.</i>	1	DS 564-9	Pump (R. VI).	1	DS 564-8c	Nozzle with double union, right side (R. VI).	1
DS 564-56	<i>Pipe cap on lid, diameter 2.8 x 4.8, length 20 mm (R. VI). No longer supplied.</i>	1	DS 564-54a	Joint for nozzle (R. VI).	1	DS 564-8d	Nozzle with single union, left side (R. VI).	1
DS 564-57	Control, 685 mm long (R. VI).	1	DS 564-55a	Pipe, delivery, 4 diameter x 2 m long (R. VI).	1	DM 564-9	Pump with two unions, for 6 mm pipe (R. VI).	1
DS 564-58	Filter (R. VI).		DS 564-67a	Lid with joint (R. VI).	1	DS 564-54a	Joint for nozzle (R. VI).	2
DS 564-59	<i>Attachment plate for control (R. VI). No longer supplied.</i>	1	DS 564-72a	<i>Reservoir without lid or clip (R. VI). Replaced by DS 564-03c.</i>	1	DS 564-55b	Pipe, 4 mm diameter for delivery from right-hand nozzle to left- hand nozzle, length 1 m (R. VI).	1
DS 564-69	<i>Screw, hex. head, 4 x 10, (7 mm across flats) securing reservoir bracket (R. VI). No longer supplied.</i>	1	DM 564-103	Feed pipe, 6 mm diameter x 1 m long (R. VI).	1	DS 564-67a	Lid with joint (R. VI).	1
DS 564-70	<i>Bracket for reservoir (R. VI). No longer supplied.</i>	1	DS 564-105	Rubber protector for pipes (R. VI).	1	DS 564-72a	<i>Reservoir without lid or clip (R. VI). Replaced by DS 564-03c.</i>	1
DS 564-71	Rubber drain plug for reservoir (R. VI).	1				DM 564-103	Pipe, 6 mm diameter to the pump from the reservoir and supplying the right-hand nozzle, 1 m long (R. VI).	2
DS 564-72	<i>Reservoir (R. VI). No longer supplied</i>	1				DM 564-105	Protector, rubber, for pipes, 2 holes 6 mm diameter (R. VI).	2
2.269-S	Nut, hex., 4 diameter x 75 pitch, for screws securing reservoir bracket (R. III).	2						

234-DUCELLIER DYNAMO 6 VOLTS AND 12 VOLTS

Dynamo

D 532-0 <i>b</i>	DS 532-0 <i>k</i>
DS 532-0 <i>b</i>	DS 532-0 <i>p</i>
DS 532-0 <i>f</i>	DF 532-0

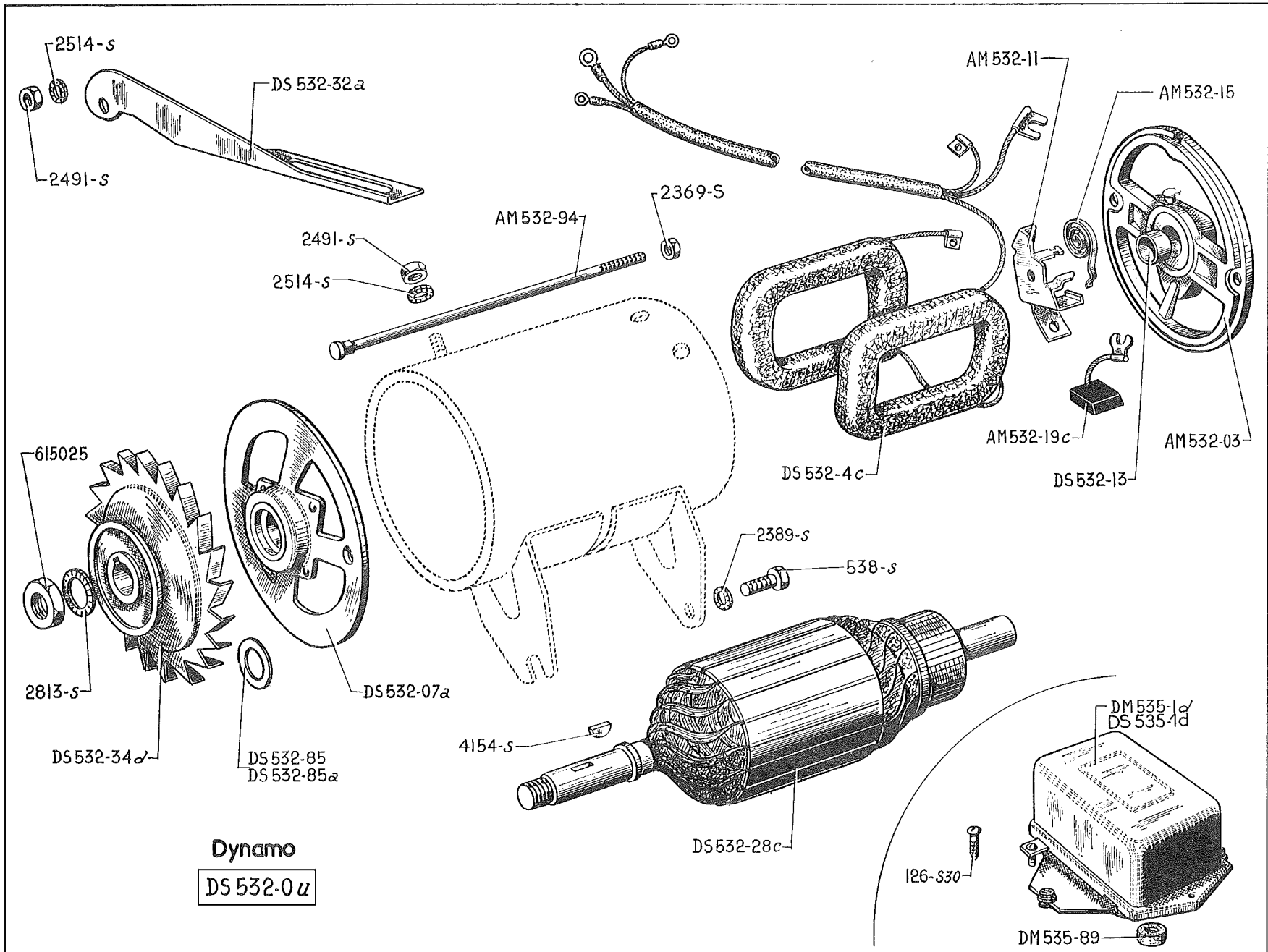


DUCELLIER DYNAMO 6 VOLTS AND 12 VOLTS-235

NUMBER	DESCRIPTION	No. OFF	NUMBER	DESCRIPTION	No. OFF	NUMBER	DESCRIPTION	No. OFF
	Until October 1961							
D 532-0b	<i>Dynamo complete, 6 volts (arrangement with suspension pump pulley with one groove) (R. VI) Until July 1956. No longer supplied.</i>	1	DM 532-28	Armature, 12 volts (R. VI). PRESTIGE. Since June 1959. U. S. A. Since December 1959. All Types. Since September 1960.	1	DM 535-89	Rubber buffer for regulator. Since September 1960.	1
DF 532-0	Dynamo complete, 12 volts, with pulley, with one groove (7219 A) (R. VI). Since September 1960.	1	DS 532-28	Armature, 6 volts (R. VI). U. S. A. Until December 1959.	1	D 535-98	Support securing 6 volt regulator on body. U. S. A. Until December 1959. All Types. Until September 1960.	1
DS 532-0b	Dynamo complete, 6 volts (arrangement with suspension pump pulley with two grooves (7132 A) (R. VI). July 1956 - May 1959.	1	D 532-32a	Tensioning device for belt. U. S. A. Until December 1959. 6 volts. Until February 1960.	1	126-S 30	Screw, round head, 5 diameter x 18 long, pointed, securing regulator (R. III).	3
DS 532-0f	<i>Dynamo complete, 6 volts, fixing of adjusting stay by stud (R. VI). February 1960 - September 1960. Replaced by DS 532-0e.</i>	1	DS 532-32a	Tensioning device for belt fixed on stud. PRESTIGE. Since June 1959. U. S. A. Since December 1959. 6 volts. Since February 1960. All Types. 12 volts. Since September 1960.	1	482-S	Screw, hex. head, 7 diameter x 12.5 long, securing adjusting stay on dynamo (R. III). Until September 1960.	1
DS 532-0k	<i>Dynamo complete, 6 volts, pulley without key (R. VI). May 1959 - February 1960. U. S. A. Until December 1959. Replaced by DS 532-0e; order in addition: 1-DS 532-32a, 1-638-S, 1-2.493-S</i>	1	DM 532-34	Pulley with one groove (R. VI). Since September 1960.	1	538-S	Screw, hex. head, 9 diameter x 25 long, securing dynamo on flywheel housing (R. III).	2
DS 532-0p	Dynamo complete, 12 volts, with pulley with two grooves (7212 A) (R. VI). PRESTIGE. June 1959 - September 1960. U. S. A. December 1959 - September 1960.	1	DS 532-34	Pulley (R. VI). Until July 1956.	1	2.369-S	Nut, hex., 6 x 100, for the screws securing the bearings (R. III).	2
DS 532-03	Bearing end plate with brush holders without brush or spring (R. VI).	1	DS 532-34b	Pulley (R. VI). July 1956 - September 1960.	1	2.389-S	Washer, shakeproof, 9.5 x 16.5, for screws securing dynamo (R. VI).	2
DS 532-4	Field coils, 6 volts, (set of 2) (R. VI). U. S. A. Until December 1959. All Types. Until September 1960.	1	DS 532-85	Washer, 17.2 x 26 x 1, for pulley adjustment. Since May 1959.	As nec.	2.491-S	Nut, hex., 7 diameter x 100 pitch (R. III) securing: - stay on water pump. - stay on dynamo. Since September 1960.	1 1
DS 532-4b	Field coils, 12 volts (R. VI). PRESTIGE. Since June 1959. U. S. A. Since December 1959. All Types. Since September 1960.	1	DS 532-85a	Washer, 17.2 x 26 x 0.5, for pulley adjustment. Since May 1959.	As nec.	2.497-S	Nut, hex., 12 x 175, for securing the pulley (R. VI).	1
DS 532-11	Brush holder, positive (R. VI).	1	DS 532-87	<i>Plate for wiring (R. VI). No longer supplied.</i>	1	2.514-S	Washer, shakeproof, 7.3 x 12, for screws securing stay (R. VI).	2
			DS 532-88	<i>Support for wiring (R. VI). No longer supplied.</i>	1	2.694-S	Washer, shakeproof, 12.5 x 22, for pulley nut (R. VI).	1
			DS 532-89	Wiring from dynamo (R. VI).	1	4.154-S	Woodruff key, 4.6 x 5 x 16, for pulley (R. III).	1
			DS 532-94	Rod for assembling dynamo (R. VI).	2	89.500	Bearing, 17 x 40 x 12 (R. VI).	1
			DS 535-1a	Regulator, Ducellier, 6 volts (8184 A) (R. VI). U. S. A. Until December 1959. All types. Until September 1960.	1	615.711	Nut clips for 5 mm screw securing regulator (R. VI).	3
			DM 535-1d	Regulator, 12 volts, Ducellier (R. VI). PRESTIGE. Since June 1959. U. S. A. Since December 1959. All types. Since September 1960.	1	702.281	Brush (R. VI).	2
			DS 535-83	Support for 12 volt regulator. PRESTIGE. Since June 1959. U. S. A. Since December 1959. All types. Until September 1960.	1	702.283	Spring for brush (R. VI).	2
						702.285	Brush holder, negative (R. VI).	1
						702.288	Bearing end plate, driving end, fitted with bearing (R. VI).	1

236-DUCELLIER DYNAMO 12 VOLTS

NUMBER	DESCRIPTION	No. OFF	NUMBER	DESCRIPTION	No. OFF	NUMBER	DESCRIPTION	No. OFF
	SINCE OCTOBER 1961							
AM 532-03	Bearing end plate, brush gear end (R. VI).	1	DS 532-28c	Armature (R. VI).	1	2.369-S	Nut, hex., 6 diameter x 100 pitch, for rods securing bearings (R. III).	2
AM 532-11	Brush holder (R. VI).	2	DS 532-32a	Adjusting stay for belt.	1	2.389-S	Washer, shakeproof, 9.5 x 16.5 for screws securing dynamo (R. VI).	2
AM 532-15	Spring for brush (R. VI).	2	DS 532-34d	Pulley (R. VI).	1			
AM 532-19c	Brush, positive and negative (R. VI).	2	DS 532-85	Washer, 17.2 x 26 x 1, for adjustment of pulley.	As nec.			
AM 532-94	Rod, 6 x 173, for assembling end bearing plates (R. VI).	2	DS 532-85a	Washer, 17.2 x 26 x 0.5, for adjustment of pulley.	As nec.	2.491-S	Nut, hex., 7 diameter x 100 pitch, securing adjusting stay on water pump and dynamo (R. III).	2
DS 532-0u	Dynamo complete, 103 mm diameter (R. VI).	1	DM 535-1d	Regulator, Ducellier, 12 volts (8.243) (R. VI).	1	2.514-S	Washer, shakeproof, 7.3 x 12, for nut securing adjusting stay (R. VI).	2
<u>DS 532-0w</u>	Dynamo complete with terminal (7314G) (R. VI). Since June 1964.	1	DS 535-1d	Regulator "Paris-Rhone", 12 volts (YT 2.113) (R. VI). Since September 1962.	1			
<u>DS 532-03d</u>	Bearing end plate, brush gear end. (R. VI). Since June 1964.	1	DM 535-89	Buffer, rubber, for regulator.	1	2.813-S	Washer, shakeproof, 16.5 x 26, for nut securing pulley (R. VI).	1
DS 532-07a	Bearing end plate, driving end (R. VI).	1	126-S 30	Screw, round head, 5 diameter x 18 long, pointed, securing regulator (R. III).	2	4.154-S	Woodruff key, 4 x 6.5 x 16, for pulley (R. III).	1
DS 532-4c	Field coils (set) (R. VI). Until June 1964.	1	538-S	Screw, hex. head, 9 diameter x 25 long, securing dynamo on flywheel housing (R. III).	2	615.025	Nut, hex., 16 diameter x 125 pitch, securing pulley (R. III).	1
<u>DS 532-4f</u>	Field coils, (set) (R. VI). Since June 1964.	1						
DS 532-13	Bush 17 x 21 x 18 for bearing end plate, brush gear end (R. VI).	1						



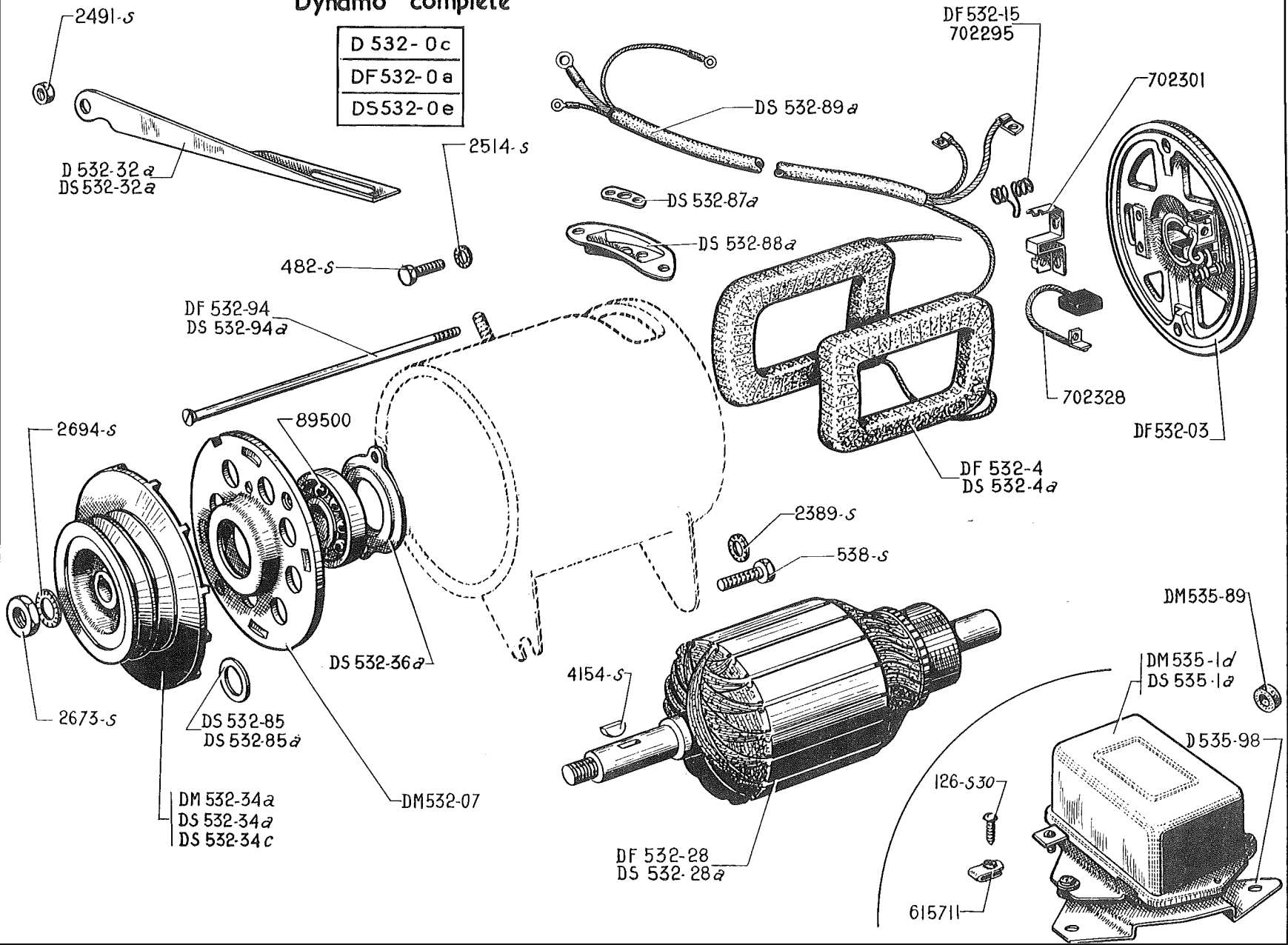
Dynamo
DS 532-0z

DUCELLIER DYNAMO 12 VOLTS--PALLAS--236A

NUMBER	DESCRIPTION	No. OFF	NUMBER	DESCRIPTION	No. OFF	NUMBER	DESCRIPTION	No. OFF
AM 532-94	Spindle, 6 x 173, for assembling end bearing plates. (R. VI).	2	DS 532-34f	Pulley (R. VI).	1	2.389-S	Washer, shakeproof, 9.5 x 16.5 for securing dynamo (R. VI).	2
U 50.333	Armature (R. VI).	1	DS 532-85	Washer, 17.2 x 26 x 1 for adjusting pulley.	As nec.	2.491-S	Nut, hex., 7 x 100 for securing stay on water pump and dynamo (R III).	2
DS 532-03d	End bearing plate, brush gear end. (R. VI).	1	DS 532-85a	Washer, 17.2 x 26 x 0.5 for adjusting pulley.	As nec.	2.514-S	Washer, shakeproof, 7.3 x 12 for nut on stay. (R. VI).	2
DS 532-07c	End bearing plate, driving end. (R. VI).	1	DS 535-1f	Ducellier regulator 12 volts. (8346) (R. VI).	1	2.813-S	Washer, shakeproof, 16.5 x 26, for nut securing pulley (R. VI).	1
DS 532-09a	Dynamo complete (7323 A) (R. VI).	1	DM 535-89	Rubber stop for regulator.	1	4.154-S	Woodruff key 4 x 6.5 x 16 for pulley (R. VI).	1
DS 532-4g	Field coils (set) (R. VI).	1	126-S-30	Screw, round head, 5 x 18 pointed for securing regulator (R. III).	2	615.025	Nut, hex: 16 x 125 for securing pulley (R. III).	1
DS 532-13	Bush, 17 x 21 x 18 for end bearing plate, brush gear end (R. VI).	1	538-S	Screw, hex. head, 9 x 25, for securing dynamo on flywheel housing (R. III).	2			
DS 532-15a	Spring for brush (R. VI).	2	2369-S	Nut, hex., 6 x 100, for spindles holding end plates (R. III).	2			
DS 532-19b	Brush, positive and negative (R. VI).	2						
DS 532-32a	Belt tensioning device.	1						

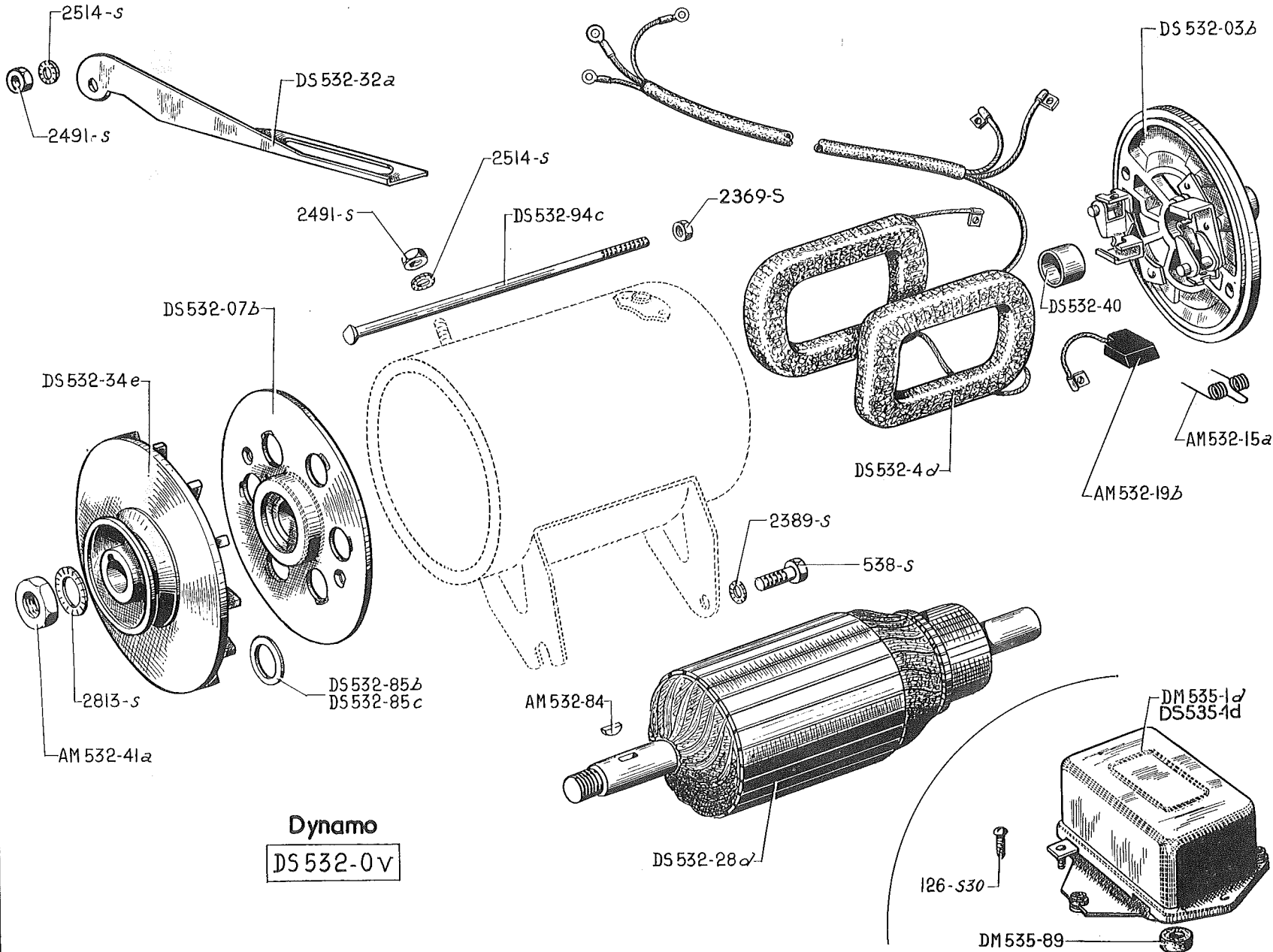
Dynamo complete

D 532-0c
DF 532-0a
DS 532-0e



PARIS-RHONE DYNAMO 6 VOLTS AND 12 VOLTS-239

NUMBER	DESCRIPTION	No. OFF	NUMBER	DESCRIPTION	No. OFF	NUMBER	DESCRIPTION	No. OFF
	Until October 1961							
D 532-0c	<i>Dynamo complete, 6 volts (arrangement with suspension pump pulley with one groove) (R. VI). Until July 1956. No longer supplied.</i>	1	DM 532-34a	Pulley (R. VI). Since September 1960.	1	D 535-98	Support securing regulator on body. Until September 1960.	1
DF 532-0a	Dynamo complete, 12 volts, with pulley with one groove (G 11 C 5) (R. VI). Since September 1960.	1	DS 532-34a	<i>Pulley (R. VI). Until July 1956. No longer supplied.</i>	1	126-S 30	Screw, round head, pointed, 5 diameter x 18 long, securing regulator (R. III).	3
DS 532-0e	Dynamo complete, 6 volts with pulley with two grooves, stay fixing by stud (G 11 R 88) (R. VI). February 1960 - September 1960. Replaces type fitted from July 1956 - February 1960; order in addition: 1-DS 532-32a, 1-638-S (R. III), 1-2.493-S (R. III).	1	DS 532-34c	Pulley (R. VI). July 1956 - September 1960.	1	482-S	Screw, hex. head, 7 diameter x 12.5 long, securing adjusting stay on dynamo (R. III). Until September 1960.	1
DF 532-03	Bearing end plate, brush gear end (R. VI). Since September 1960.	1	DS 532-36a	Plate securing bearing (R. VI).	1	538-S	Screw, hex. head, 9 diameter x 25 long, securing dynamo on flywheel housing (R. III).	2
DM 532-07	Bearing end plate complete with bearing, driving end (R. VI).	1	DS 532-85	Washer, 26 x 17.2 x 1, for pulley adjustment. Since September 1960.	As nec.	2.389-S	Washer, shakeproof, 9.5 x 16.5 for screw securing dynamo (R. VI).	2
DF 532-4	<i>Field coils, 12 volts (set of 2) (R. VI). Since September 1960. No longer supplied.</i>	1	DS 532-85a	Washer, 26 x 17.2 x 0.5, for pulley adjustment. Since September 1960.	As nec.	2.491-S	Nut, hex., 7 diameter x 100 pitch (R. III) securing: - adjusting stay on water pump. - adjusting stay on water pump and dynamo.	1 2
DS 532-4a	Field coils, 6 volts (set of 2) (R. VI). Until September 1960.	1	DS 532-87a	Plate retaining wiring (R. VI).	1	2.514-S	Washer, shakeproof, 7.3 x 12, for screws securing adjusting stay (R. VI).	2
DF 532-15	Spring for brush holder (R. VI). Since September 1960.	2	DS 532-88a	Support for wiring (R. VI).	1	2.673-S	<i>Nut, hex., 12 diameter x 175 pitch, securing pulley (R. III). Replaced by 2.497-S.</i>	1
DF 532-28	Armature, 12 volts (R. VI). Since September 1960.	1	DS 532-89a	<i>Output wiring from dynamo (R. VI). No longer supplied.</i>	1	2.694-S	Washer, shakeproof, 12.5 x 22, for pulley nut (R. VI).	1
DS 532-28a	Armature, 6 volts (R. VI). Until September 1960.	1	DF 532-94	<i>Rod assembling bearing end plates (R. VI). Since September 1960. No longer supplied.</i>	2	4.154-S	Woodruff key, 4 x 6.5 x 16, for pulley (R. VI).	1
D 532-32a	Adjusting stay for belt. Until February 1960.	1	DS 532-94a	Rod assembling bearing end plates (R. VI). Until September 1960.	2	89.500	Bearing, 17 x 40 x 12 (R. VI).	1
DS 532-32a	Adjusting stay for belt, fixing by stud. Since February 1960.	1	DM 535-1d	Regulator, Ducellier, 12 volts (8.243) (R. VI). Since September 1960.	1	615.711	Nut clips, for 5 mm screw securing regulator (R. VI).	3
			DS 535-1a	Regulator, Ducellier, 6 volts (8.184 A) (R. VI).	1	702.295	Spring for brush (R. VI). Until September 1960.	2
			DM 535-89	Buffer, rubber, for regulator. Since September 1960.	1	702.301	<i>Brush holder (R. VI). No longer supplied.</i>	2
						702.328	Brush positive and negative (R. VI).	2



Dynamo
DS 532-0v

240-PARIS-RHONE DYNAMO 12 VOLTS

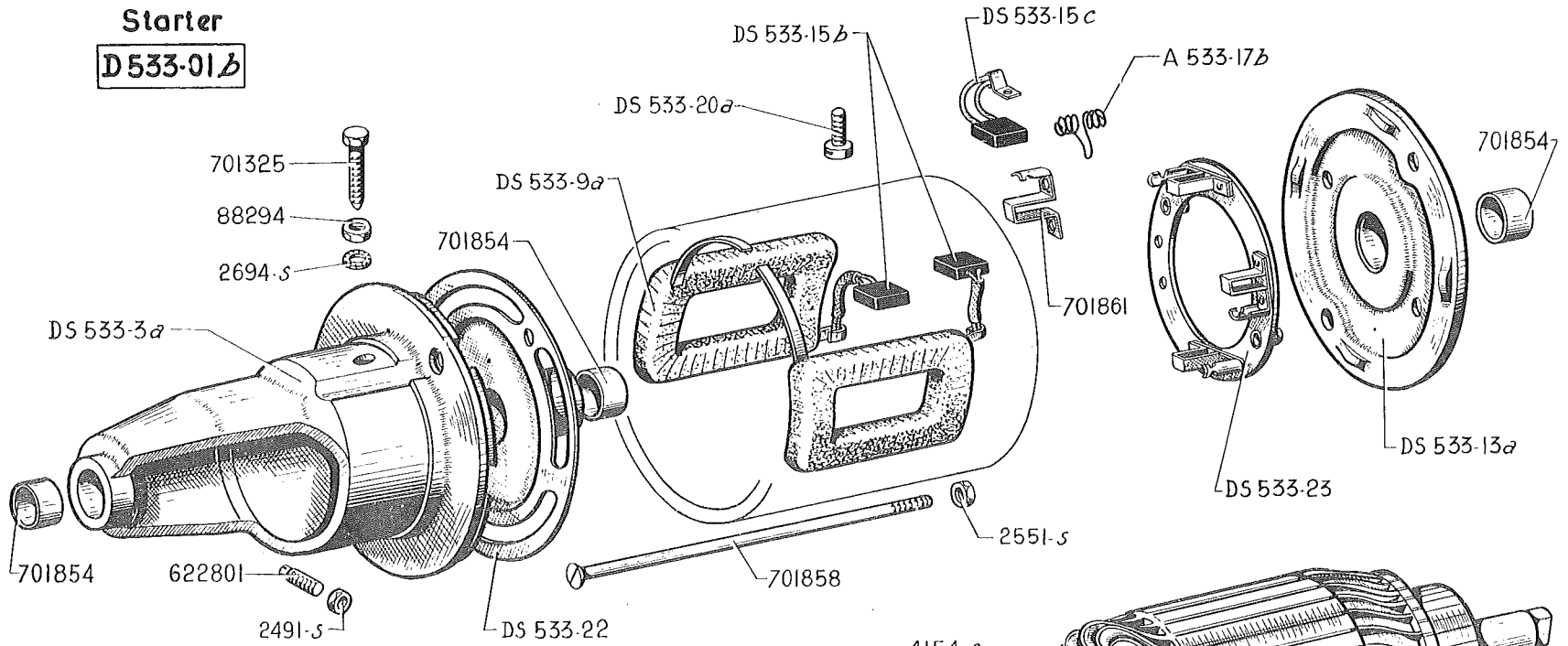
NUMBER	DESCRIPTION	No. OFF	NUMBER	DESCRIPTION	No. OFF	NUMBER	DESCRIPTION	No. OFF
	SINCE OCTOBER 1961		DS 532-28d	Armature (R. VI).	1	126-S 30	Screw, round head, 5 diameter x 18 long, pointed, securing regulator (R. III).	2
AM 532-15a	Spring for brush (R. VI).	2	DS 532-32a	Adjusting stay for belt.	1			
AM 532-19b	Brush positive and negative (R. VI).	2	DS 532-34e	Pulley (R. VI).	1	538-S	Screw, hex. head, 9 diameter x 25 long, securing dynamo on flywheel housing (R. III).	2
AM 532-41a	Nut, hex., 15 diameter x 150 pitch, securing pulley (R. VI).	1	DS 532-40	Bearing for end plate, brush gear end (R. VI).	1			
AM 532-84	Key securing pulley (R. VI).	1	DS 532-85b	Washer, 15.2 x 23 x 1, for pulley adjustment.	As nec.	2.369-S	Nut, hex., 6 diameter x 100 pitch, for rods securing bearings (R. III).	2
<u>AM 532-94a</u>	Rod assembling bearing end plates (R. VI).	2	DS 532-85c	Washer, 15.2 x 23 x 0.05, for pulley adjustment.	As nec.	2.389-S	Washer, shakeproof, 9.5 x 16.5, for screws securing dynamo (R. VI).	2
DS 532-0v	<i>Dynamo complete, 103 mm diameter (G 10 C 10) (R. VI). Until December 1963. Replaced by DS 532-0x; order in addition: 1-DS 511-22.</i>	1	DS 532-94c	<i>Rod for assembling bearing end plates (R. VI). Replaced by AM 532-94a.</i>	2	2.491-S	Nut, hex., 7 diameter x 100 pitch, securing adjusting stay on water pump and dynamo (R. III).	2
<u>DS 532-0x</u>	Dynamo complete with terminals (G 10 C 31) (R. VI). Since December 1963.	1	DM 535-1d	Regulator, Ducellier, 12 volts (8.243) (R. VI).	1	2.514-S	Washer, shakeproof, 7.3 x 12, for nuts securing adjusting stay (R. VI).	2
DS 532-03b	Bearing end plate, brush gear end (R. VI). Until December 1963.	1	DS 535-1d	Régulateur "Paris-Rhone", 12 volts (YT 2.113) (R. VI). Since September 1962.	1	2.813-S	Washer, shakeproof, 16.5 x 26, for nut securing pulley (R. VI).	1
<u>DS 532-03c</u>	Bearing end plate, brush gear end, with terminals (R. VI). Since December 1963.	1	DM 535-89	Buffer, rubber, for regulator.	1			
DS 532-07b	Bearing end plate, driving end, with bearing (R. VI).	1						
DS 532-4d	Field coils (set) (R. VI). Until December 1963.	1						
<u>DS 532-4e</u>	Field coils (set) (R. VI). Since December 1963.	1						

DUCELLIER STARTER MOTOR 6 VOLTS-243

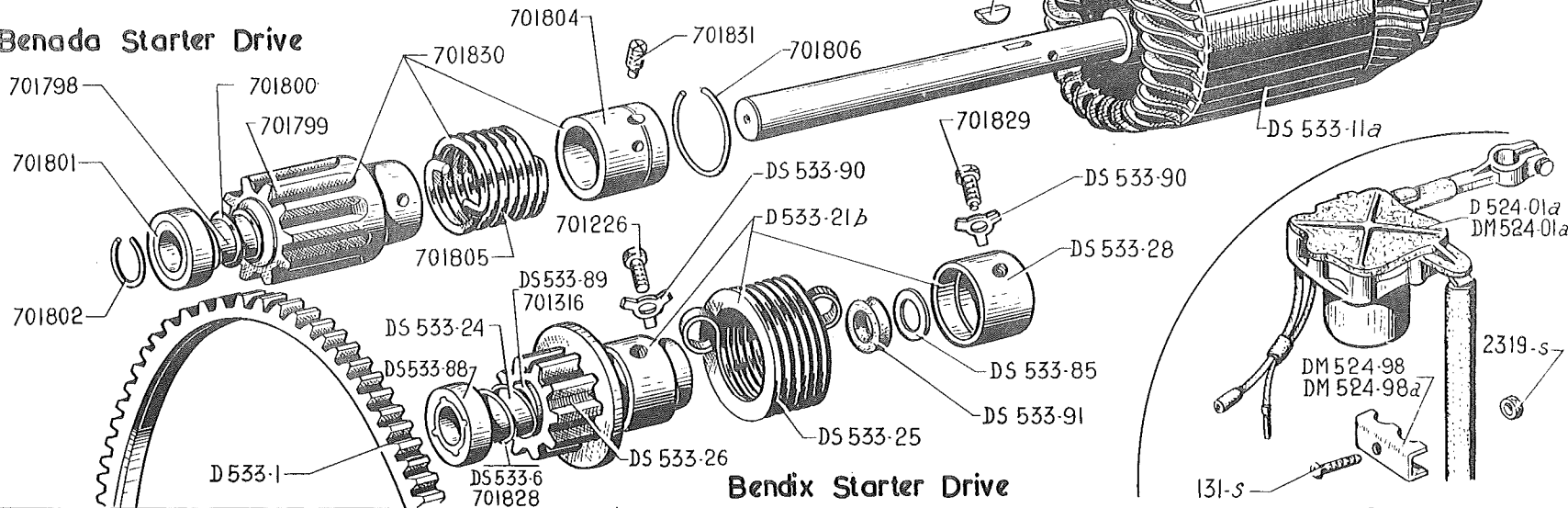
NUMBER	DESCRIPTION	No. OFF	NUMBER	DESCRIPTION	No. OFF	NUMBER	DESCRIPTION	No. OFF
	U.S.A. Until December 1959 ALL TYPES Until September 1960		2.491-S	Nut, hex., 7 diameter x 100 pitch for starter reaction screw (R. III).	2	701.830	Starter drive complete (R. VI).	1
			2.694-S	Washer, shakeproof, 12.5 x 22, for nut securing starter motor on engine (R. VI).	1	701.831	Grub screw with dowel, 6 mm diameter, locking driving sleeve (R. VI).	1
D 524-01a	Solenoid, Ducellier, for starter motor (R. VI). Until July 1957.	1	4.154-S	Key, Woodruff, 4 x 6.5 x 16, for Bendix drive (R. III).	1	BENDIX STARTER DRIVE WITH DAMPER Since January 1957		
DM 524-01a	Solenoid, Gelbon, for starter motor with 20 mm ² cable (R. VI) Since November 1958. Replaces solenoid fitted since July 1957; order in addition: 2-DM 524-98a.	1	88.294	Nut, hex., 12 diameter x 150 pitch, securing starter on engine (R. II).	1	DS 533-6	Spring for pinion (R. VI). Since September 1957.	1
DM 524-98	Clamp retaining Gelbon solenoid cable. July 1957 - November 1958.	2	622.801	Grub screw, 7 diameter x 20 long, for starter motor reaction (R. III).	2	D 533-21b	Starter pinion drive complete (R. VI).	1
DM 524-98a	Clamp retaining 20 mm ² for starter solenoid. Since November 1958.	2	701.325	Screw, hex. head, 12 diameter x 150 pitch, 42 mm long, under head, securing starter motor on engine (R. III).	1	DS 533-24	Threaded sleeve, only (R. VI).	1
D 533-01a	<i>Starter motor complete (6003A) (R. VI). Replaced by D 533-01b.</i>	1	701.836	Intermediate bearing plate (R. VI).	1	DS 533-25	Driving spring (R. VI).	1
D 533-1	Starter gear ring (93 teeth, 272 mm diameter).	1	701.842	Spring for brush (R. VI).	2	DS 533-26	Pinion (R. VI).	1
DS 533-3	Bearing end plate for starter motor, driving end (R. VI).	1	701.843	Brush holder (R. VI).	2	DS 533-28	Driving sleeve (R. VI).	1
DS 533-9	Field coils (set of 4) (R. VI).	1	701.845	Bush, 16.2 x 19 x 15, for bearing end plate, brush gear end and intermediate bearing plate (R. VI).	1	DS 533-85	Washer for damper bush (R. VI).	1
DS 533-11	Armature (R. VI).	1	701.846	Bush, 16 x 19 x 14, for bearing end plate, driving end (R. VI).	2	DS 533-88	Thrust nut for pinion spring (R. VI). Since September 1957.	1
DS 533-13	Bearing end plate complete, brush gear end (R. VI).	1	701.848	Circlip (R. VI).	1	DS 533-89	Distance washer retaining pinion spring (R. VI). Since September 1957.	1
DS 533-15	Brush, positive (R. VI).	1	701.849	Thrust washer, brush gear end (R. VI).	As nec.	DS 533-90	Lockplate for screw of drive sleeve and threaded sleeve (R. VI).	2
DS 533-15a	Brush, negative (R. VI).	1	702.320	Rod for assembling bearing end plates (R. VI).	1	DS 533-91	Rubber bush for damper (R. VI).	1
DS 533-20	Terminal, only (R. VI).	1	BENADA STARTER DRIVE			701.226	Screw, hex. head, 9.5 diameter x 16 long, for threaded sleeve (R. VI).	1
131-S	Screw, round head, 5 diameter x 30 long, securing clamp for Gelbon solenoid (R. III). Since July 1957.	1	701.798	Threaded sleeve, only (R. VI).	1	701.316	<i>Distance piece (R. VI). Until September 1957. No longer supplied.</i>	1
2.319-S	Nut, hex., 5 diameter x 75 pitch, for screw securing clamp for Gelbon solenoid (R. III). Since July 1957.	1	701.799	Pinion (R. VI).	1	701.828	Spring for pinion (R. VI). Until September 1957.	1
2.369-S	Nut, hex., 6 diameter x 100 pitch, securing bearing end plates (R. III).	2	701.800	Spring for pinion (R. VI).	1	701.829	Screw, hex. head, 9.5 diameter x 20 long (dowel 6 mm diameter for the driving sleeve) (R. VI).	1
			701.801	Thrust ring for pinion (R. VI).	1			
			701.802	Circlip for thrust ring (R. VI).	1			
			701.804	Driving sleeve (R. VI).	1			
			701.805	Driving spring (R. VI).	1			
			701.806	<i>Circlip for driving sleeve (R. VI). No longer supplied.</i>	1			

Starter

D533-01b



Bendix Starter Drive



Bendix Starter Drive

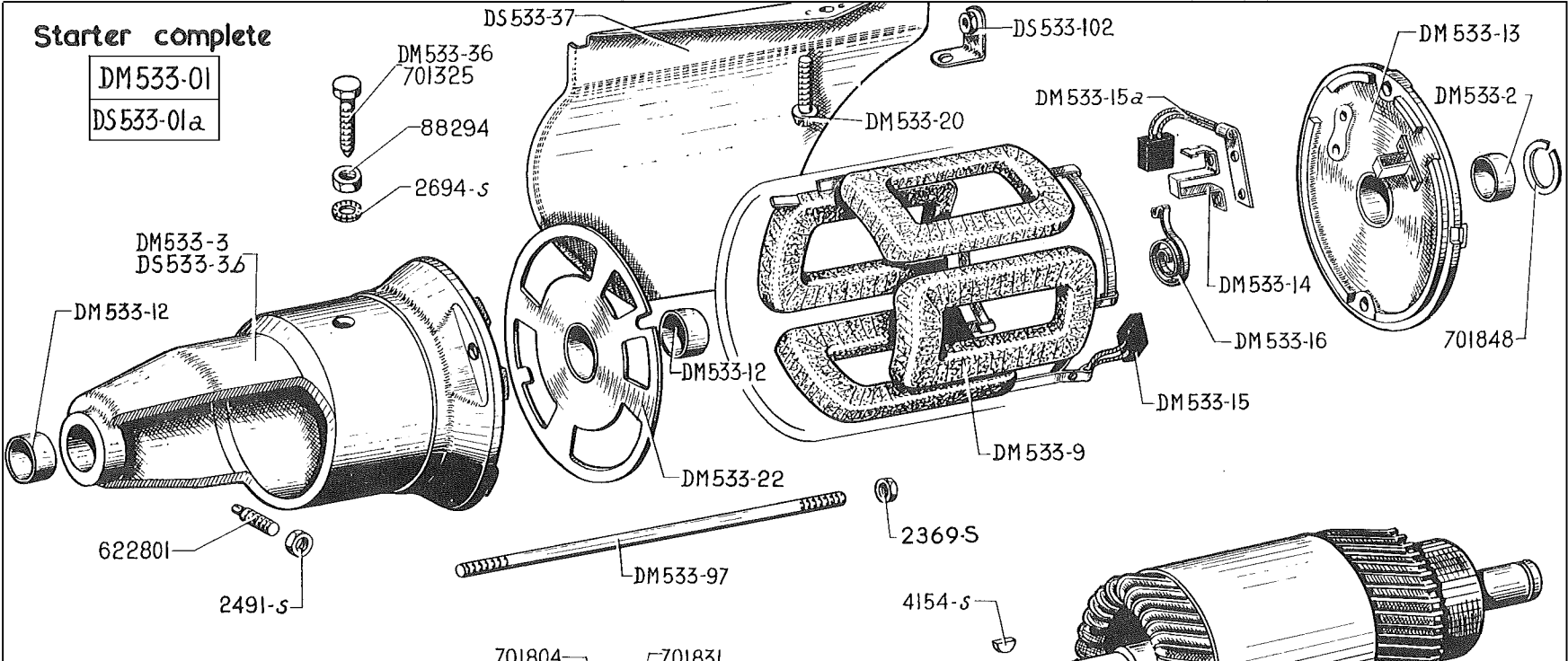
244-PARIS-RHONE STARTER MOTOR 6 VOLTS

NUMBER	DESCRIPTION	No. OFF	NUMBER	DESCRIPTION	No. OFF	NUMBER	DESCRIPTION	No. OFF
	U.S.A. Until December 1959 ALL TYPES Until September 1960						BENDIX STARTER DRIVE WITH DAMPER Since January 1957	
A 533-17b	Brush spring (R. VI).	4	2.491-S	Nut, hex., 7 diameter x 100 pitch, for starter reaction screw (R. III).	2	DS 533-6	Spring for pinion (R. VI). Since September 1957.	1
D 524-01a	Ducellier starter solenoid switch (R. VI). Until July 1957.	1	2.551-S	Nut, hex., 8 diameter x 125 pitch, securing bearing end plates (R. III).	2	D 533-21b	Pinion drive complete (R. VI).	1
DM 524-01a	Gelbon starter solenoid switch with 20 mm cable (R. VI). Since November 1958. Replaces solenoid fitted since July 1957; order in addition: 2-DM 524-98a.	1	2.694-S	Washer, shakeproof, 12.5 x 22, for nuts securing starter motor on engine (R. VI).	1	DS 533-24	Threaded sleeve, only (R. VI).	1
DM 524-98	Clamp retaining cable for Gelbon solenoid. July 1957 - November 1958.	2	4.154-S	Woodruff key, 4 x 6.5 x 16, for pinion drive (R. III).	1	DS 533-25	Driving spring (R. VI).	1
DM 524-98a	Clamp retaining 20 mm ² cable for starter solenoid. Since November 1958.	2	88.294	Nut, hex., 12 diameter x 150 pitch, securing starter motor on engine (R. VI).	1	DS 533-26	Pinion (R. VI).	1
D 533-01b	Starter motor complete (D 11 B 42) (R. VI).	1	622.801	Grub screw, 7 diameter x 20 long, for starter reaction (R. III).	2	DS 533-28	Driving sleeve (R. VI).	1
D 533-1	Starter gear ring, (272 mm diameter, 93 teeth).	1	701.325	Screw, hex. head, 12 diameter x 150 pitch, securing starter motor on engine, length under head 42 mm (R. III).	1	DS 533-85	Washer for damper bush (R. VI).	1
DS 533-3a	Bearing end plate, driving end (R. VI).	1	701.854	Bush for bearing end plates (R. VI).	3	DS 533-88	Thrust nut for pinion spring (R. VI). Since September 1957.	1
DS 533-9a	Field coils (set of 2) (R. VI).	1	701.858	Rod, 8 x 175, for assembling end bearing plates (R. VI).	2	DS 533-89	Distance washer retaining pinion spring (R. VI). Since September 1957.	1
DS 533-11a	Armature (R. VI).	1	701.861	Brush holder (R. VI).	4	DS 533-90	Lockplate for screw of driving sleeve and threaded sleeve (R. VI).	2
DS 533-13a	<i>Bearing end plate only, brush gear end (R. VI). No longer supplied.</i>	1	BENADA STARTER DRIVE			DS 533-91	Rubber bush for damper (R. VI).	1
DS 533-15b	Brush, positive (R. VI).	2	701.798	Threaded sleeve only (R. VI).	1	701.226	Screw, hex. head, 9.5 x 16, for threaded sleeve (R. VI).	1
DS 533-15c	<i>Brush, negative (R. VI). Replaced by A 533-15m.</i>	2	701.799	Pinion (R. VI).	1	701.316	<i>Distance piece (R. VI). Until September 1957. No longer supplied.</i>	1
DS 533-20a	Terminal only (R. VI).	1	701.800	Spring for pinion (R. VI).	1	701.828	Pinion spring (R. VI). Until September 1957.	1
DS 533-22	Intermediate bearing plate (R. VI).	1	701.801	Thrust ring for pinion (R. VI).	1	701.829	Screw, hex. head, 9.5 x 20 (6 mm dowel) for driving sleeve (R. VI).	1
DS 533-23	Brush holder ring with brushes and spring (R. VI).	1	701.802	Circlip for thrust ring for pinion (R. VI).	1			
131-S	Screw, round head, 5 diameter x 30 long, securing clamp for Gelbon solenoid (R. III). Since July 1957.	1	701.804	Driving sleeve (R. VI).	1			
2.319-S	Nut, hex., 5 diameter x 75 pitch, for screw securing clamp for Gelbon solenoid (R. III). Since July 1957.	1	701.805	Driving spring (R. VI).	1			
			701.806	<i>Circlip for driving sleeve (R. VI). No longer supplied.</i>	1			
			701.830	Pinion drive complete (R. VI).	1			
			701.831	Grub screw with 6 mm diameter dowel locking driving sleeve (R. VI).	1			

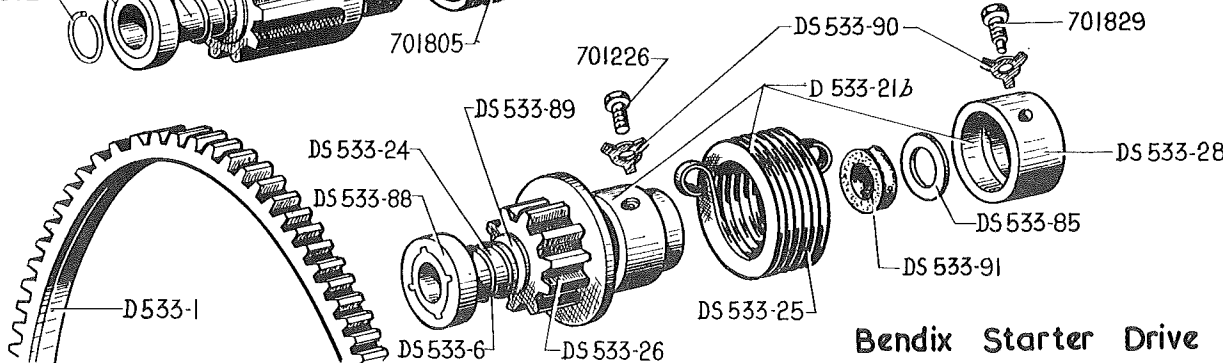
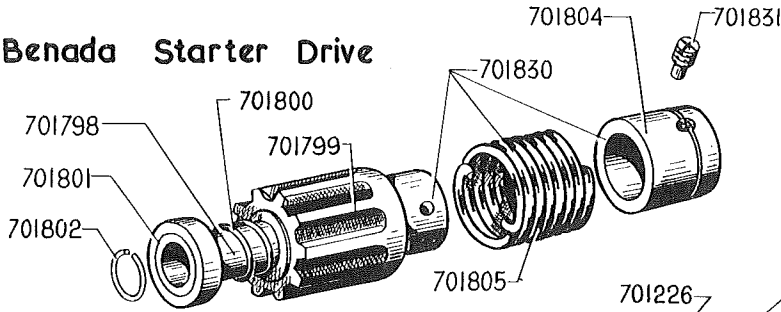
246-DUCELLIER STARTER MOTOR 12 VOLTS

Starter complete

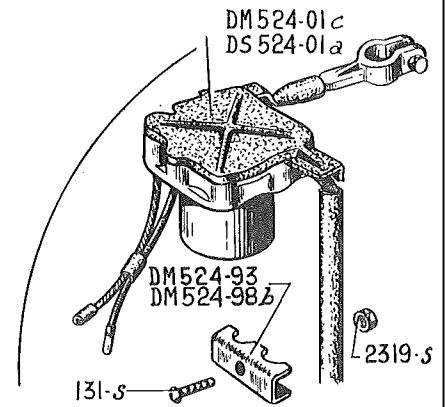
DM 533-01
DS 533-01a



Benada Starter Drive



Bendix Starter Drive

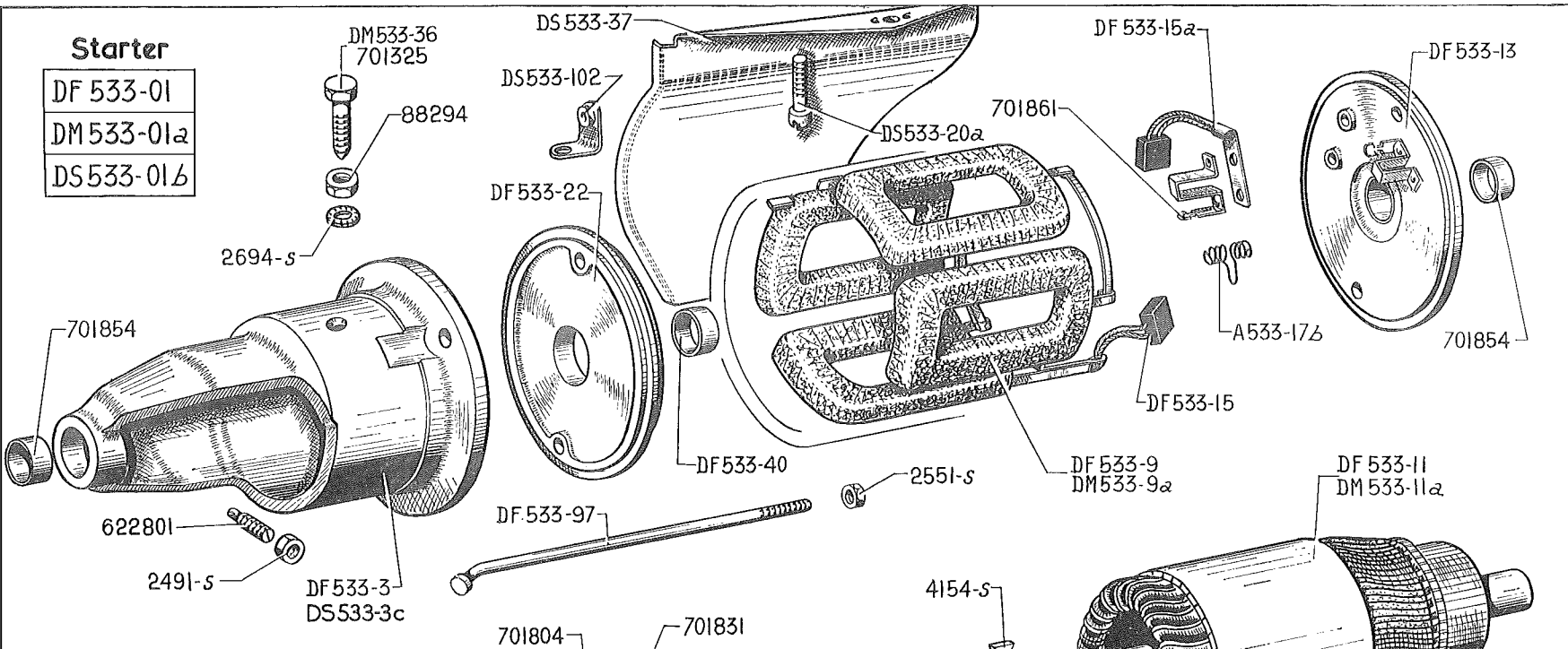


DUCELLIER STARTER MOTOR 12 VOLTS-247

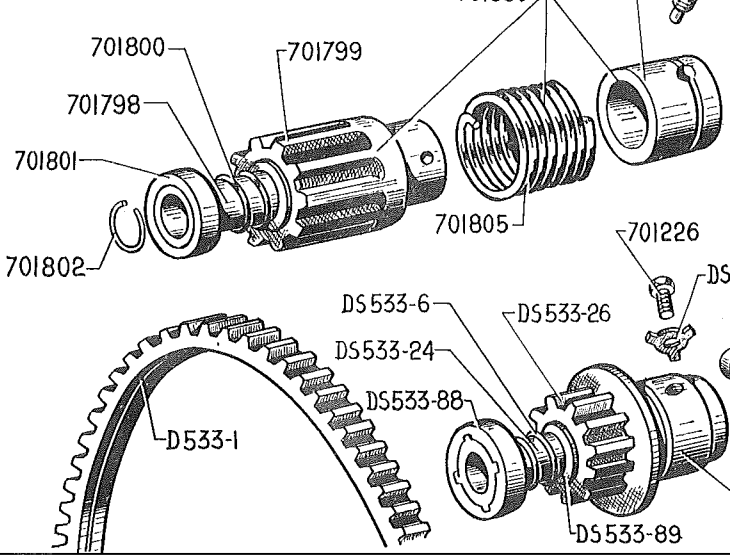
NUMBER	DESCRIPTION	No. OFF	NUMBER	DESCRIPTION	No. OFF	NUMBER	DESCRIPTION	No. OFF
	PRESTIGE Since June 1959 U.S.A. Since December 1959 ALL TYPES Since September 1960		DM 533-15	Brush, positive (R. VI).	1	701.800	Spring for pinion (R. VI).	1
DM 524-01c	Solenoid "Gelbon" 12 volts (R. VI). Until September 1962.	1	DM 533-15a	Brush, negative (R. VI).	1	701.801	Thrust ring for pinion (R. VI).	1
DS 524-01a	Solenoid "Gelbon" 12 volts (R. VI). August 1961 - September 1962.	1	DM 533-16	Spring for brush (R. VI).	2	701.802	Circlip for thrust ring (R. VI).	1
DM 524-93	Clamp with welded screw, securing solenoid. Since August 1961.	1	DM 533-20	Terminal only (R. VI).	1	701.804	Driving sleeve (R. VI).	1
DM 524-98b	Clamp retaining solenoid for starter motor. Until August 1961. Since August 1961.	2 1	DM 533-22	Intermediate bearing plate (R. VI).	2	701.805	Driving spring (R. VI).	1
DM 533-01	Starter motor complete (6087) (R. VI). Until September 1962.	1	DS 533-37	Shield for starter motor. Since September 1962.	1	701.830	Starter drive complete (R. VI).	1
DS 533-01a	Starter motor complete (6133) (R. VI). Since September 1962.	1	DM 533-97	Rod for assembling starter motor (R. VI).	1	701.831	Grub screw with 6 mm dowel for locking driving sleeve (R. VI).	1
D 533-1	Starter gear ring (93 teeth, 272 mm diameter).	1	DS 533-102	Support with welded nuts for starter motor screen. Since September 1962.	1		BENDIX STARTER DRIVE WITH DAMPER	
DM 533-2	Bush 12 x 15 x 15, for end bearing plate, brush gear end (R. VI).	1	131-S	Screw, round head 5 diameter x 30 long securing clamp for solenoid (R. III).	1	DS 533-6	Spring for pinion (R. VI).	1
DM 533-3	End bearing plate, driving end (R. VI). Until September 1962.	1	2.319-S	Nut, hex. 5 diameter x 75 pitch for screw for securing clamp for solenoid (R. III).	1	D 533-21b	Starter drive complete (R. VI).	1
DS 533-3b	End bearing plate for starter motor, driving end (R. VI). Since September 1962.	1	2.369-S	Nut, hex. 6 diameter x 100 pitch securing end bearing plates (R. III).	2	DS 533-24	Threaded sleeve, only (R. VI).	1
DM 533-9	Field coils (set of 4) (R. VI).	1	2.491-S	Nut, hex. 7 diameter x 100 pitch for starter motor reaction screw (R. III).	2	DS 533-25	Driving spring (R. VI).	1
DM 533-11	Armature (R. VI).	1	2.694-S	Washer, shakeproof 12.5 x 22 for nut securing starter motor on engine (R. VI).	1	DS 533-26	Pinion (R. VI).	1
DM 533-12	Bush, 16 x 19 x 12, for bearing plates intermediate and driving end (R. VI).	2	4.154-S	Woodruff key 4 x 6.5 x 16 for pinion drive (R. III).	1	DS 533-28	Driving sleeve (R. VI).	1
DM 533-13	Bearing end plate complete, brush gear end (R. VI).	1	88.294	Nut, hex. 12 diameter 150 pitch securing starter motor on engine (R. II).	1	DS 533-85	Washer 16 x 21 x 0.3 for damper bush (R. VI).	1
DM 533-14	Brush holder (R. VI).	2	622.801	Grub screw 7 diameter x 20 long for starter motor reaction (R. III).	2	DS 533-88	Thrust nut for pinion spring (R. VI).	1
			701.325	Screw hex. head 12 diameter 150 pitch, length under head 42 mm, securing starter motor on engine (R. III).	1	DS 533-89	Distance washer for pinion spring (R. VI).	1
			701.848	Circlip (R. VI).	1	DS 533-90	Lockplate for screw of driving sleeve and threaded sleeve (R. VI).	2
				BENADA STARTER DRIVE		DS 533-91	Bush, rubber 16 x 26.5 x 10.5 for damper (R. VI).	1
			701.798	Threaded sleeve, only (R. VI).	1	701.226	Screw, hex. head 9.5 x 16 for threaded sleeve (R. VI).	1
			701.799	Pinion (R. VI).	1	701.829	Screw, hex. head 9.5 x 20 with 6 mm dowel, for driving sleeve (R. VI).	1

Starter

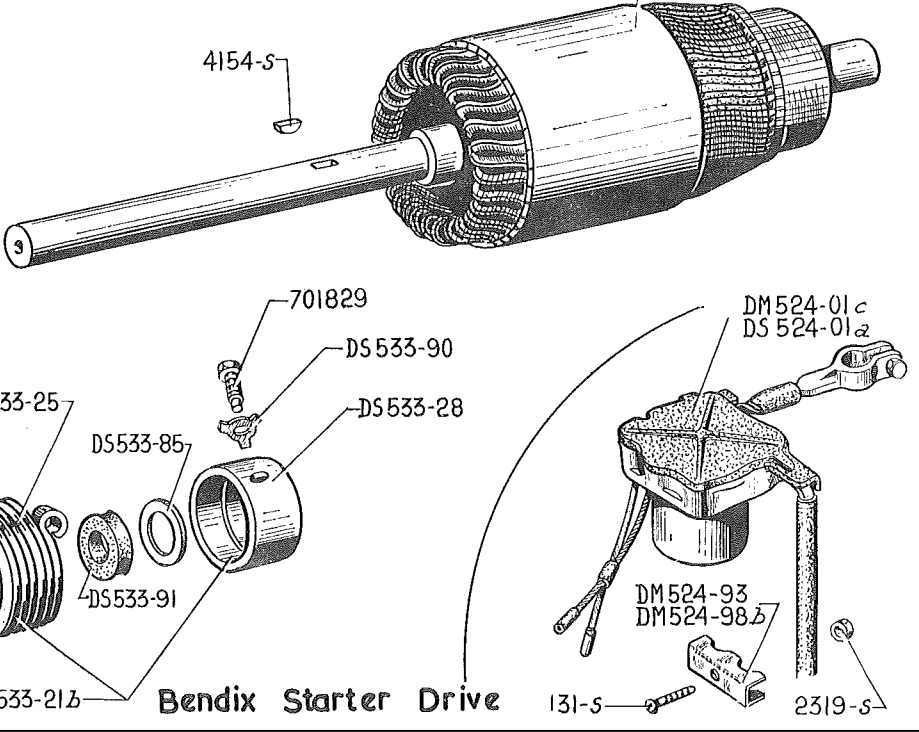
DF 533-01
DM 533-01a
DS 533-01b



Benada Starter Drive



Bendix Starter Drive



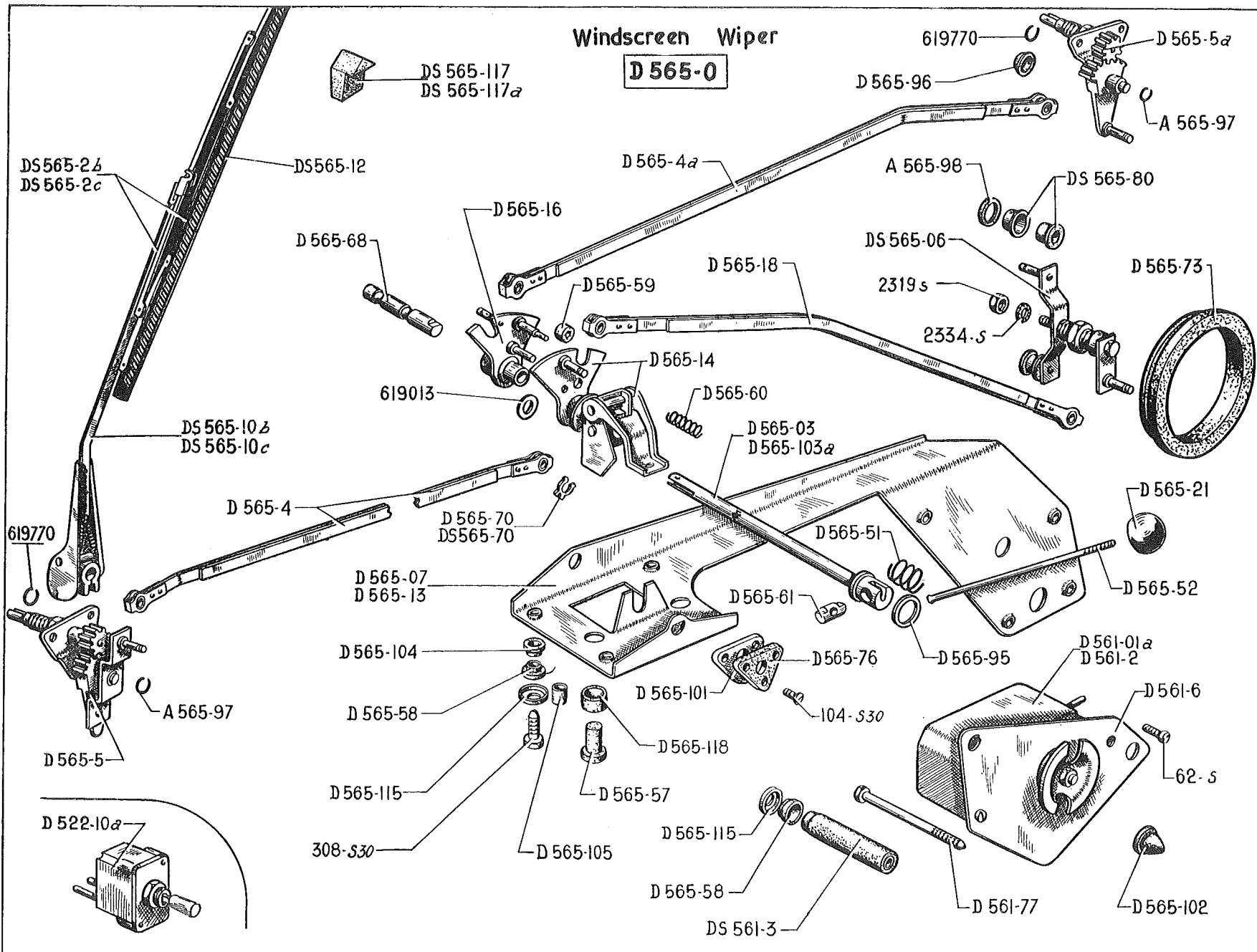
248-PARIS-RHONE STARTER MOTOR 12 VOLTS

NUMBER	DESCRIPTION	No. OFF	NUMBER	DESCRIPTION	No. OFF	NUMBER	DESCRIPTION	No. OFF
	Since September 1960							
A 533-17b	Spring for brush (R. VI).	4	DF 533-40	Bush 16 x 20 x 16 for intermediate (R. VI).	1	701.800	Spring for pinion (R. VI).	1
DM 524-01c	Solenoid "Gelbon" 12 volts (R. VI). Until September 1962.	1	DF 533-97	Rod for assembling bearing end plates (R. VI).	2	701.801	Thrust ring for pinion (R. VI).	1
DS 524-01a	Solenoid, "Gelbon" 12 volts (R. VI). Since September 1962.	1	DS 533-102	Support with welded nut for starter motor shield. Since September 1962.	1	701.802	Circlip for thrust ring (R. VI).	1
DM 524-93	Clamp with welded screw, securing solenoid. Since August 1961.	1	131-S	Screw, round head 5 diameter 30 long securing solenoid clamp (R.III).	1	701.804	Driving sleeve (R. VI).	1
DM 524-98b	Clamp, retaining starter solenoid: - Until August 1961. - Since August 1961.	2	2.319-S	Nut, hex. 5 diameter 75 pitch for screw securing solenoid clamp (R. III).	1	701.805	Driving spring (R. VI).	1
DF 533-01	<i>Starter motor complete (D10 B38) (R.VI). Until January 1962. Replaced by DM 533-01a.</i>	1	2.491-S	Nut, hex 7 diameter 100 pitch for starter motor reaction screws (R. III).	2	701.830	Starter drive complete (R. VI).	1
DM 533-01a	Starter motor complete (D10 B39) (R. VI). Until September 1962.	1	2.551-S	Nut, hex. 8 diameter 125 pitch securing bearing end plates (R. III).	2	701.831	Grub screw with 6 mm diameter for driving sleeve (R. VI).	1
DS 533-01b	Starter motor complete (D10 B40) (R. VI). Since September 1962.	1	2.694-S	Washer, shakeproof 12.5 x 22 for nut securing starter motor on engine (R. VI).	1		BENDIX STARTER DRIVE WITH DAMPER	
D 533-1	Starter gear ring (93 teeth, 272 mm diameter).	1	4.154-S	Woodruff key 4 x 6.5 x 16 for starter pinion drive (R. III).	1	DS 533-6	Spring for pinion (R. VI).	1
DF 533-3	Bearing end plate securing starter motor, driving end (R. VI). Until September 1962.	1	88.294	Nut, hex 12 diameter 150 pitch securing starter motor on engine (R. II).	1	D 533-21b	Starter drive complete (R. VI).	1
DS 533-3c	Bearing end plate securing starter motor, driving end (R. VI). Since September 1962.	1	622.801	Grub screw 7 diameter 20 long for starter motor reaction (R. III).	2	DS 533-24	Threaded sleeve, only (R. VI).	1
DF 533-9	Field coils (R. VI). Until January 1962.	1	701.325	Screw, hex. head 12 diameter 150 pitch 42 mm long under head, securing starter motor on engine (R. III).	1	DS 533-25	Driving spring (R. VI).	1
DM 533-9a	Field coils (R. VI). Since January 1962.	1	701.854	Bush for bearing end plates, driving end and brush gear end (R. VI).	2	DS 533-26	Pinion (R. VI).	1
DF 533-11	Armature (R. VI). Until January 1962.	1	701.861	Brush holder (R. VI).	4	DS 533-28	Driving sleeve (R. VI).	1
DM 533-11a	Armature (R. VI). Since January 1962.	1		BENADA STARTER DRIVE		DS 533-85	Washer 16 x 21 x 0.3 for damper bush (R. VI).	1
DF 533-13	Bearing end plate, brush gear end (R. VI).	1	701.798	<i>Threaded sleeve only (R. VI). No longer supplied.</i>	1	DS 533-88	Thrust nut for pinion spring (R. VI).	1
DF 533-15	Brush, positive (R. VI).	2	701.799	Pinion (R. VI).	1	DS 533-89	Distance washer for pinion spring (R. VI).	1
DF 533-15a	Brush, negative (R. VI).	2				DS 533-90	Lockplate for screw of driving sleeve and threaded sleeve (R. VI).	2
DS 533-20a	Terminal, only (R. VI).	1				DS 533-91	Bush, rubber for damper 16 x 26.5 x 10.5 (R. VI).	1
DF 533-22	Bearing plate, intermediate (R. VI).	1				701.226	Screw, hex. head 9.5 x 16 for threaded sleeve (R. VI).	1
DS 533-37	Shield for starter motor. Since September 1962.	1				701.829	Screw, hex. head 9.5 x 20 with 6 mm dowel, for driving sleeve (R. VI).	1

250-S.E.V. WINDSCREEN WIPER 6 VOLTS AND 12 VOLTS

Windscreen Wiper

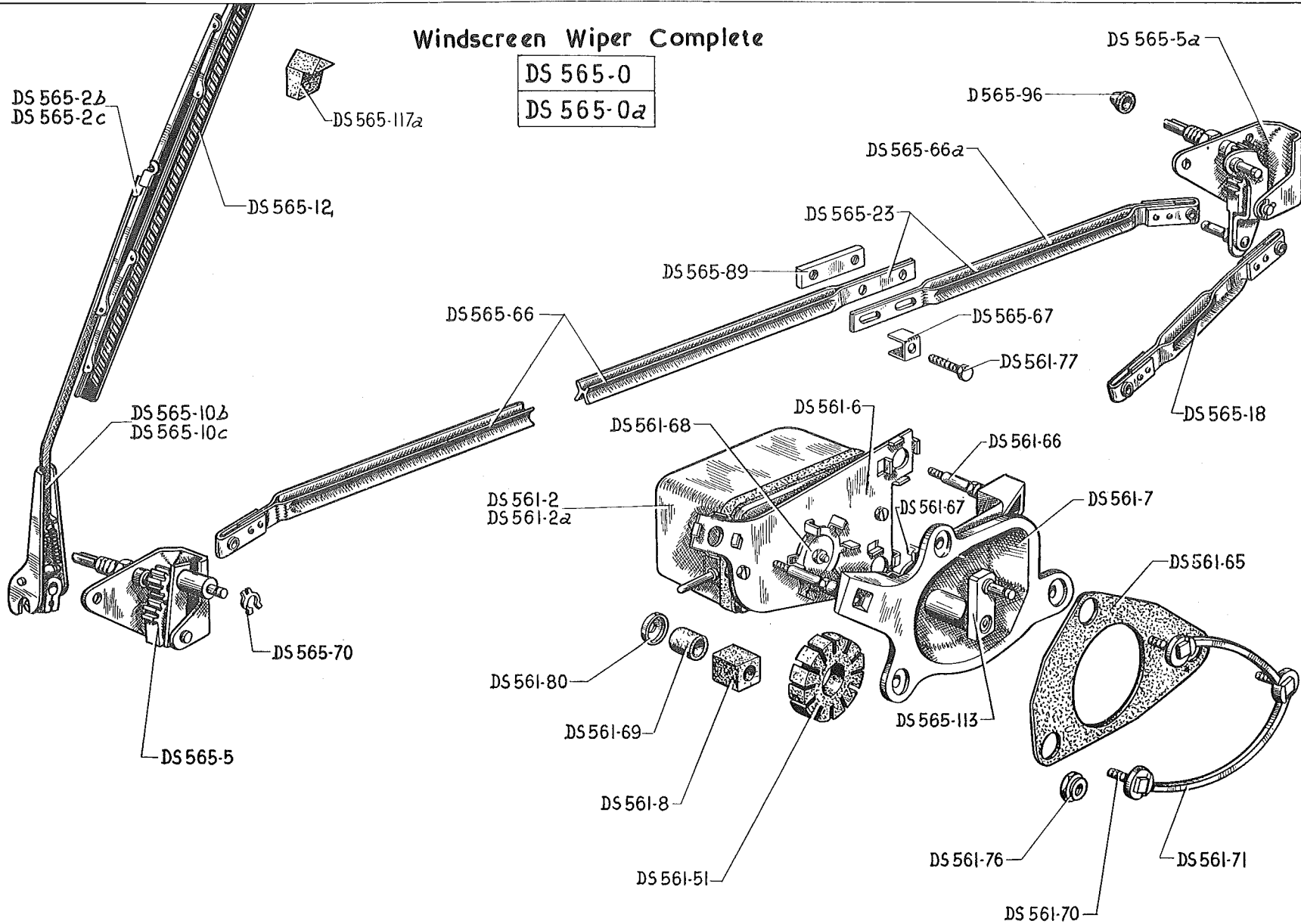
D 565-0



S.E.V. WINDSCREEN WIPER 6 VOLTS AND 12 VOLTS-251

NUMBER	DESCRIPTION	No. OFF	NUMBER	DESCRIPTION	No. OFF	NUMBER	DESCRIPTION	No. OFF
	Until May 1960							
A 565-97	Circlip for wiper arm on driving sector (R. VI).	2	DS 565-10b	Wiper arm, left-hand (R. VI).	1	D 565-95	<i>Thrust washer, 16.3 x 20 x 1, for spring on hand operating control (R. VI). No longer supplied.</i>	1
A 565-98	Washer, 4.2 x 7 x 0.5 on flexible sleeve (R. VI).	2	DS 565-10c	Wiper arm, right-hand (R. VI).	1			
			DS 565-12	Wiper blade (R. VI).	2	D 565-96	Sealing cap on wiper arm spindle (R. VI).	2
D 522-10a	Switch on dashboard (R. VI).	1	D 565-13	Bracket for windscreen wiper, operating mechanism (R. VI).	1	D 565-101	<i>Bearing plate for hand operation control (R. VI). No longer supplied.</i>	1
D 561-01a	Motor, 12 volts (R. VI). PRESTIGE. Since June 1959. U. S. A. Since December 1959.	1	D 565-14	Pivoting plate operating link rods (R. VI).	1	D 565-102	Buffer for glovebox on bracket.	1
D 561-2	Motor, 6 volts (R. VI). U. S. A. Until December 1959.	1	D 565-16	End plate for manual operation (R. VI).	1	D 565-103a	Shaft for hand operation control (R. VI).	1
DS 561-3	<i>Rubber tube, 8 x 20 x 47.5 with distance piece for screw securing motor (R. VI). No longer supplied.</i>	3	D 565-18	Operating link (R. VI).	1	D 565-104	Bush, rubber, 8 x 20 x 8 on bracket.	8
D 561-6	Plate securing motor (R. VI).	1	D 565-21	Knob for rod operating hand control (R. VI).	1	D 565-105	Distance tube, 7 x 8 x 12.5 for bush on bracket (R. VI).	5
D 561-77	Screw, hex. head, 6 x 62, securing motor.	3	D 565-51	Spring, 16.5 x 22 for hand operation swivel (R. VI).	1	D 565-115	Cup washer for rubber bush on plate and motor bracket (R. VI).	5
D 565-0	<i>Windscreen wiper complete, 6 volts (R. VI). No longer supplied.</i>	1	D 565-52	Rod for hand operation, 123 mm long (R. VI).	1	DS 565-117	Stop for wiper arm. Until June 1956.	2
D 565-03	Hand control complete (R. VI).	1	D 565-57	Flexible stop for pivoting plate (R. VI).	2	DS 565-117a	Stop for wiper arm. Since June 1956.	2
DS 565-06	Spindle assembly with bush operating linkage (R. VI).	1	D 565-58	Bush, rubber, shouldered, 12 x 20 x 17 x 6 for screw securing motor on scuttle (R. VI).	8	D 565-118	Rubber stop, 12 x 20 x 16, for hand operation actuating plate (R. VI).	1
DS 565-07	Windscreen wiper linkage complete with blades and hand control (without motor) (R. VI).	1	D 565-59	Stud operating pivoting plate (R. VI).	1	62-S	Screw, round head, 4 diameter x 7.5 pitch (R. III) securing: - crank arm. - motor on plate.	1 2
DS 565-2b	Wiper arm complete, left-hand (R. VI).	1	D 565-60	Compression spring, 9 x 28, for cam (R. VI).	1	104-S 30	Screw, raised head countersunk, 4 diameter x 12.5 long, control bearing plate (R. III).	3
DS 565-2c	Wiper arm complete, right-hand (R. VI).	1	D 565-61	Swivel pin on shaft for hand operation (R. VI).	1	308-S 30	Screw, hex. head, pointed, 6 diameter x 25 long, securing bracket (R. VI).	5
D 565-4	Connecting link, operating wiper arm, left-hand, 526.5 mm between centres (R. VI).	1	D 565-68	Spindle for pivoting plate, 68 mm long (R. VI).	1	2.319-S	Nut, hex., 5 diameter x 75 pitch, securing double crank on intermediate shaft (R. III).	1
D 565-4a	Connecting link, operating wiper arm right-hand, 342 mm between centres (R. VI).	1	D 565-70	<i>Clip maintaining flexible sleeves on double crank (R. VI). Replaced by AZ 565-70.</i>	2	2.334-S	Washer, shakeproof, 5.2 x 9.4, for locking double crank on intermediate shaft (R. VI).	1
D 565-5	Bracket for wiper arm spindle, left-hand (R. VI).	1	DS 565-70	Clip maintaining linkage (R. VI).	As nec.	619.013	Washer on pivoting plate (R. VI).	4
D 565-5a	Bracket for wiper arm spindle, right-hand (R. VI).	1	D 565-73	Washer, rubber, 50 x 70 x 8 sealing bracket.	1	619.770	<i>Circlip on wiper arm spindle (R. VI). No longer supplied.</i>	2
			D 565-76	Plate, rubber, for hand operation bearing bracket (R. VI).	1			
			DS 565-80	Flexible sleeve, bushed on shaft operating linkage (R. VI).	2			

Windscreen Wiper Complete



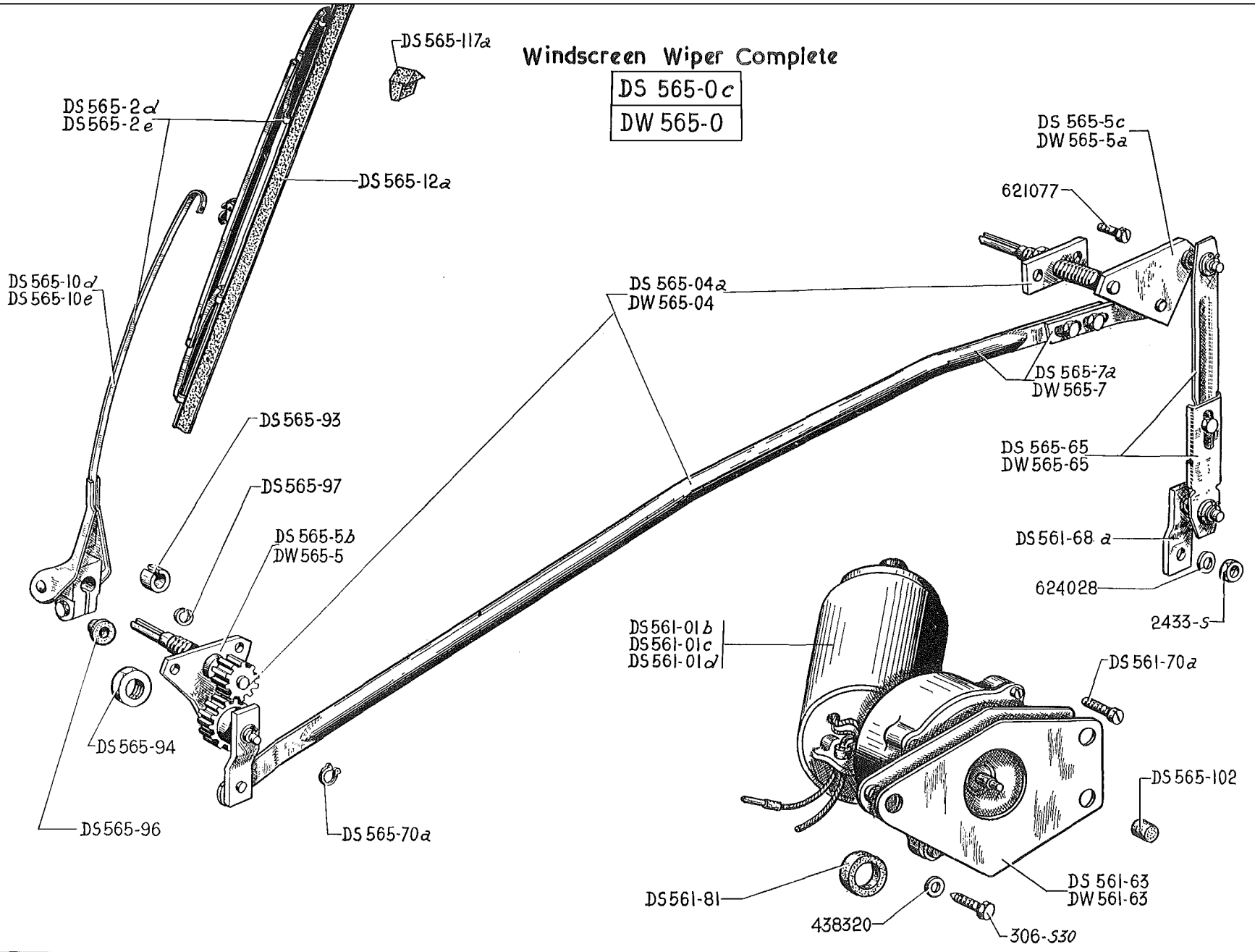
252-S.E.V. WINDSCREEN WIPER 6 VOLTS AND 12 VOLTS

NUMBER	DESCRIPTION	No. OFF	NUMBER	DESCRIPTION	No. OFF	NUMBER	DESCRIPTION	No. OFF
	MAY 1960 - SEPTEMBER 1960							
DS 561-2	Motor 6 volts (R. VI). No longer supplied.	1	DS 561-70	Screw, square head, 5 diameter x 20 long, securing motor support (R. VI). No longer supplied.	3	DS 565-10c	Wiper arm (without blade), right hand (R. VI).	1
DS 561-2a	Motor 12 volts (R. VI).	1	DS 561-71	Nut carrier securing motor support (R. VI). No longer supplied.	1	DS 565-12	Wiper blade (R. VI).	2
DS 561-6	Mounting plate for motor (R. VI).	1	DS 561-76	Nut, shouldered for 5 diameter screws securing motor support (R. VI).	3	DS 565-18	Control linkage (R. VI).	1
DS 561-7	Support for motor (R. VI).	1	DS 561-77	Screw, hex. head assembling linkage (R. VI).	2	DS 565-23	Connecting linkage assembled (R. VI).	1
DS 561-8	Rubber block for motor fixing (R. VI).	3	DS 561-80	Cup washer for screws securing engine support (R. VI).	3	DS 565-66	Connecting link, left hand (R. VI).	1
DS 561-51	Rubber drive connecting motor and control (R. VI).	1	DS 565-0	Windscreen wiper complete 6 volts (R. VI). No longer supplied.	1	DS 565-66a	Connecting link, right hand (R. VI).	1
DS 561-65	Joint rubber between motor and body (R. VI).	1	DS 565-0a	Windscreen wiper complete 12 volts (R. VI).	1	DS 565-67	Yoke for screw tightening connecting linkage (R. VI).	2
DS 561-66	Stud securing motor (R. VI).	3	DS 565-2b	Wiper arm complete, left hand (R. VI).	1	DS 565-70	Clip retaining linkage (R. VI).	4
DS 561-67	Driving plate with spindle, crank side (R. VI).	1	DS 565-2c	Wiper arm complete, right hand (R. VI).	1	DS 565-89	Backplate for assembling linkage, 2 tapped holes 6 mm diameter (R. VI). No longer supplied.	2
DS 561-68	Driving plate, motor side (R. VI).	1	DS 565-5	Support for arm spindle, left hand (R. VI).	1	D 565-96	Sealing cap for arm spindle (R. VI).	2
DS 561-69	Washer, rubber, securing motor (R. VI).	3	DS 565-5a	Support for arm spindle, right hand (R. VI).	1	DS 565-113	Cranked control with spindle (R. VI).	1
			DS 565-10b	Wiper arm (without blade), left hand (R. VI).	1	DS 565-117a	Stop for wiper arm.	2

254-BOSCH WINDSCREEN WIPER 6 VOLTS AND 12 VOLTS

Windscreen Wiper Complete

DS 565-0c
DW 565-0



DS 565-2a
DS 565-2e

DS 565-12a

DS 565-10a
DS 565-10e

DS 565-93

DS 565-97

DS 565-5b
DW 565-5

DS 565-94

DS 565-96

DS 565-70a

DS 565-04a
DW 565-04

DS 565-7a
DW 565-7

DS 565-65
DW 565-65

DS 565-5c
DW 565-5a

621077

DS 561-68 a

624028

2433-5

DS 561-70a

DS 565-102

DS 561-01b
DS 561-01c
DS 561-01a

DS 561-81

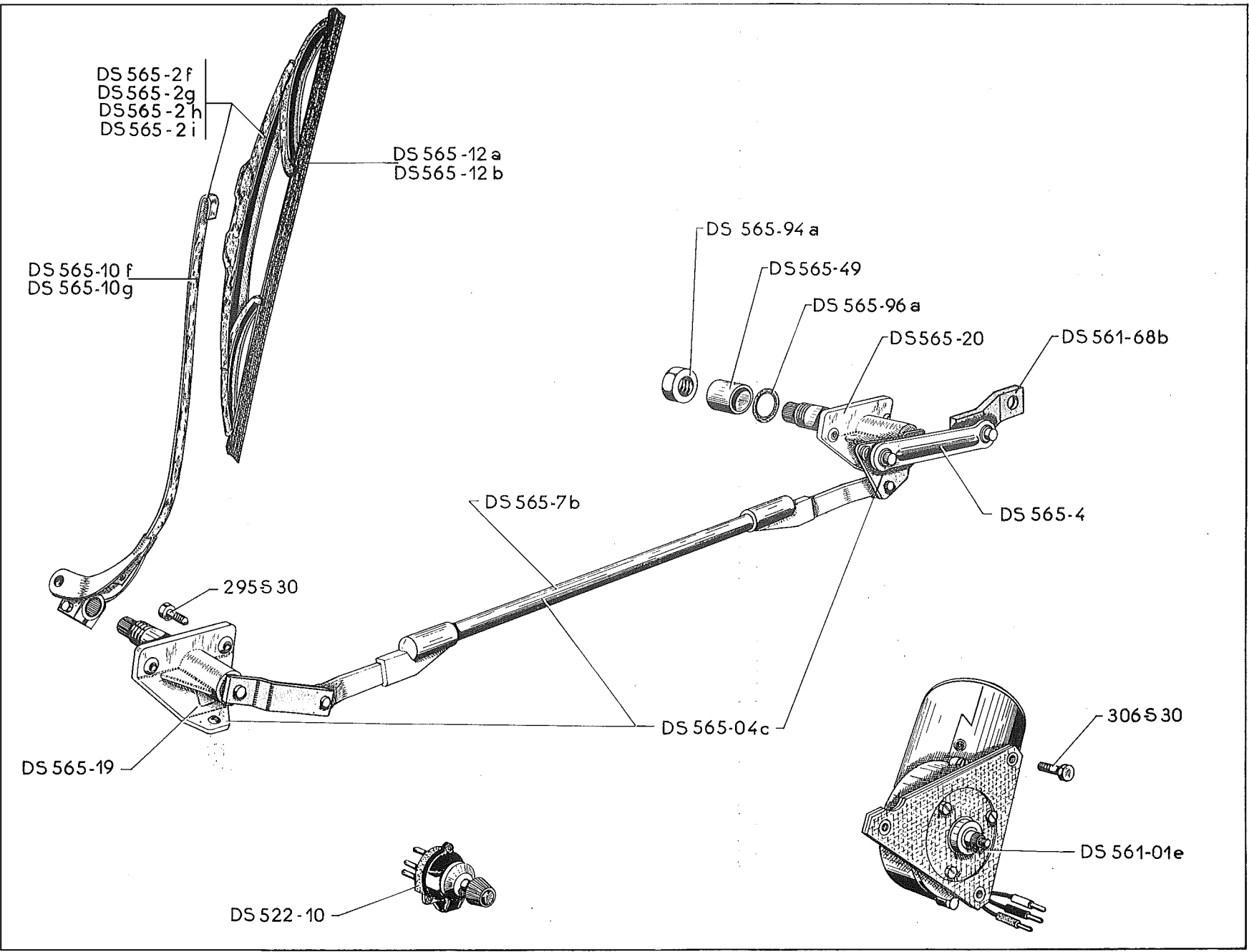
438320

306-530

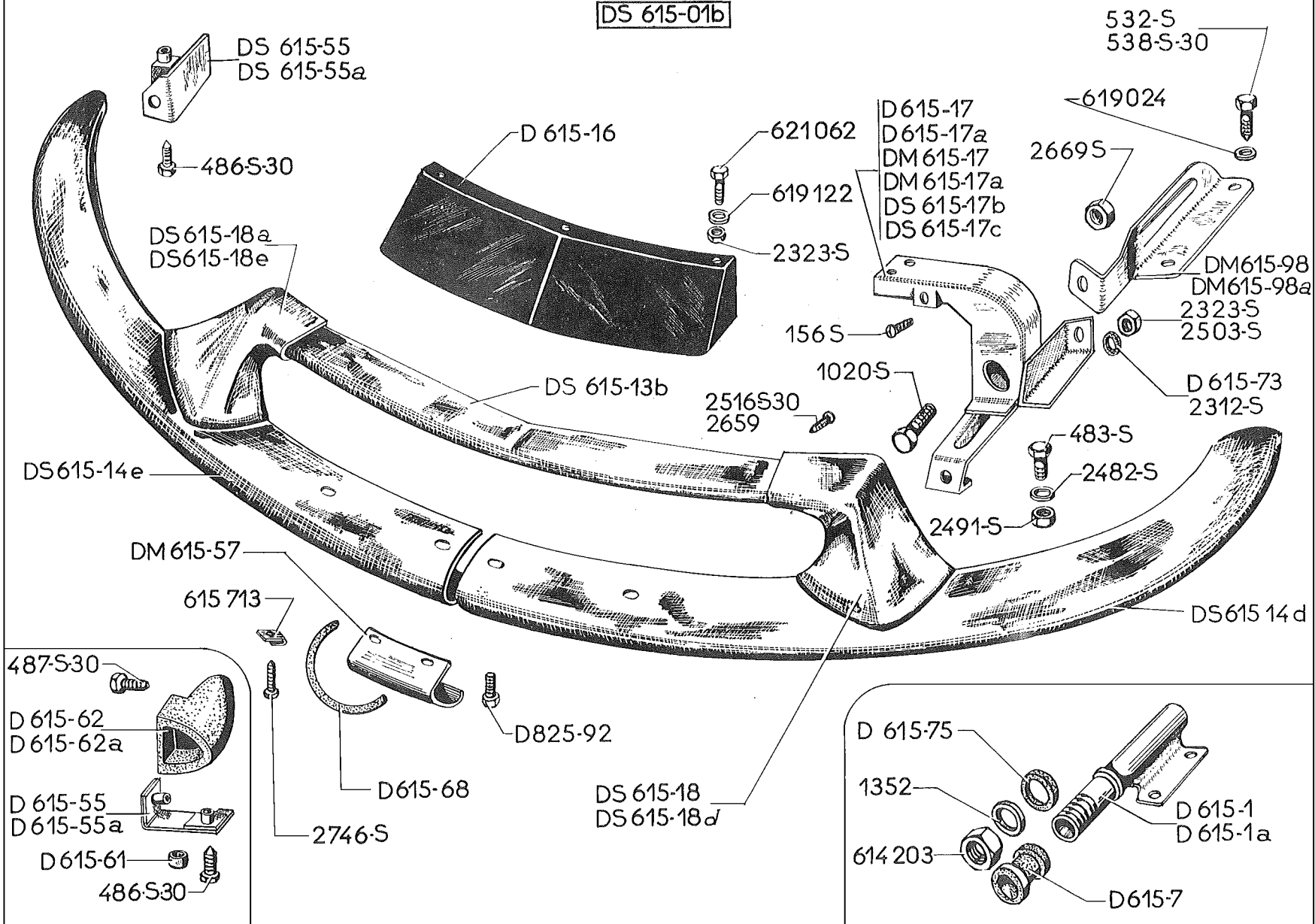
DS 561-63
DW 561-63

BOSCH WINDSCREEN WIPER 6 VOLTS AND 12 VOLTS-255

NUMBER	DESCRIPTION	No. OFF	NUMBER	DESCRIPTION	No. OFF	NUMBER	DESCRIPTION	No. OFF
	September 1960—September 1964		DS 565-2d	<i>Wiper arm complete, left-hand (R. VI). Replaced by DS 565-10d; order in addition 1-DS 565-12a.</i>	1	DS 565-70a	Circlips retaining rods on arm spindles (R. VI).	5
DS 561-01b	Motor 6 volts (R. VI). July 1960 (few cars).	1	DS 565-2e	Wiper arm complete, right-hand (R. VI).	1	DS 565-93	Bush, split, locking arms on spindles (R. VI).	2
DS 561-01c	Motor 12 volts (R. VI). September 1960 - August 1961.	1	DS 565-5b	Support for arm spindle, left-hand (R. VI). Until August 1961.	1	DS 565-94	Nut, hex. securing spindle for arm on body (R. VI).	2
DS 561-01d	Motor 12 volts with automatic stop (R. VI). Since August 1961.	1	DS 565-5c	Support for arm spindle, right-hand (R. VI). Until August 1961.	1	DS 565-96	Cap, rubber sealing arm spindle (R. VI).	2
DS 561-63	Backplate with screws for securing motor (R. VI). Until August 1961.	1	DW 565-5	Support for arm spindle, left-hand (R. VI). Since August 1961.	1	DS 565-97	Locking circlip, on arm spindle (R. VI).	2
DW 561-63	Backplate without screws for securing motor (R. VI). Since August 1961.	1	DW 565-5a	Support for arm spindle, right-hand (R. VI). Since August 1961.	1	DS 565-102	Stop, rubber for glovebox on backplate screw (R. VI).	1
DS 561-68a	Control crank (R. VI).	1	DS 565-7a	Connecting rod assembled with end piece, 900 mm long (R. VI). Until August 1961.	1	DS 565-117a	Stop for wiper arm.	2
DS 561-70a	Screw, round head, securing motor on support (R. VI).	3	DW 565-7	Connecting rod assembled with end piece (R. VI). Since August 1961.	1	306-S 30	Screw, hex. head 6 diameter 20 long securing motor on body (R.III).	3
DS 561-81	Sealing washer, rubber between motor and support (R. VI).	1	DS 565-10d	Wiper arm without blade, left-hand (R. VI).	1	2.433-S	Nut, hex. 6 diameter 100 pitch securing motor on cranked control (R. III).	1
DS 565-0c	Windscreen wiper complete 12 volts (R. VI). Until August 1961.	1	DS 565-10e	Wiper arm without blade, right-hand (R. VI).	1	438.320	Washer, 6.5 x 20 x 1.8 for screws securing motor on body (R. II).	3
DW 565-0	Windscreen wiper complete 12 volts (motor with automatic stop) (R. VI). Since August 1961.	1	DS 565-12a	Wiper blade (R. VI).	2	621.077	Screw, hex. head, 4 diameter 10 long, securing support for arm spindle on body (R. III).	4
DS 565-04a	Linkage complete without arms (R. VI). Until August 1961.	1	DS 565-65	<i>Control rod with end piece (R. VI). Until August 1961. Replaced by DW 565-65.</i>	1	624.028	Flexible washer 6.4 x 12 x 0.5 for nut assembling motor on cranked control (R.III).	1
DW 565-04	Linkage complete without arms (R. VI). Since August 1961.	1	DW 565-65	Control rod with end piece (R. VI). Since August 1961.	1			



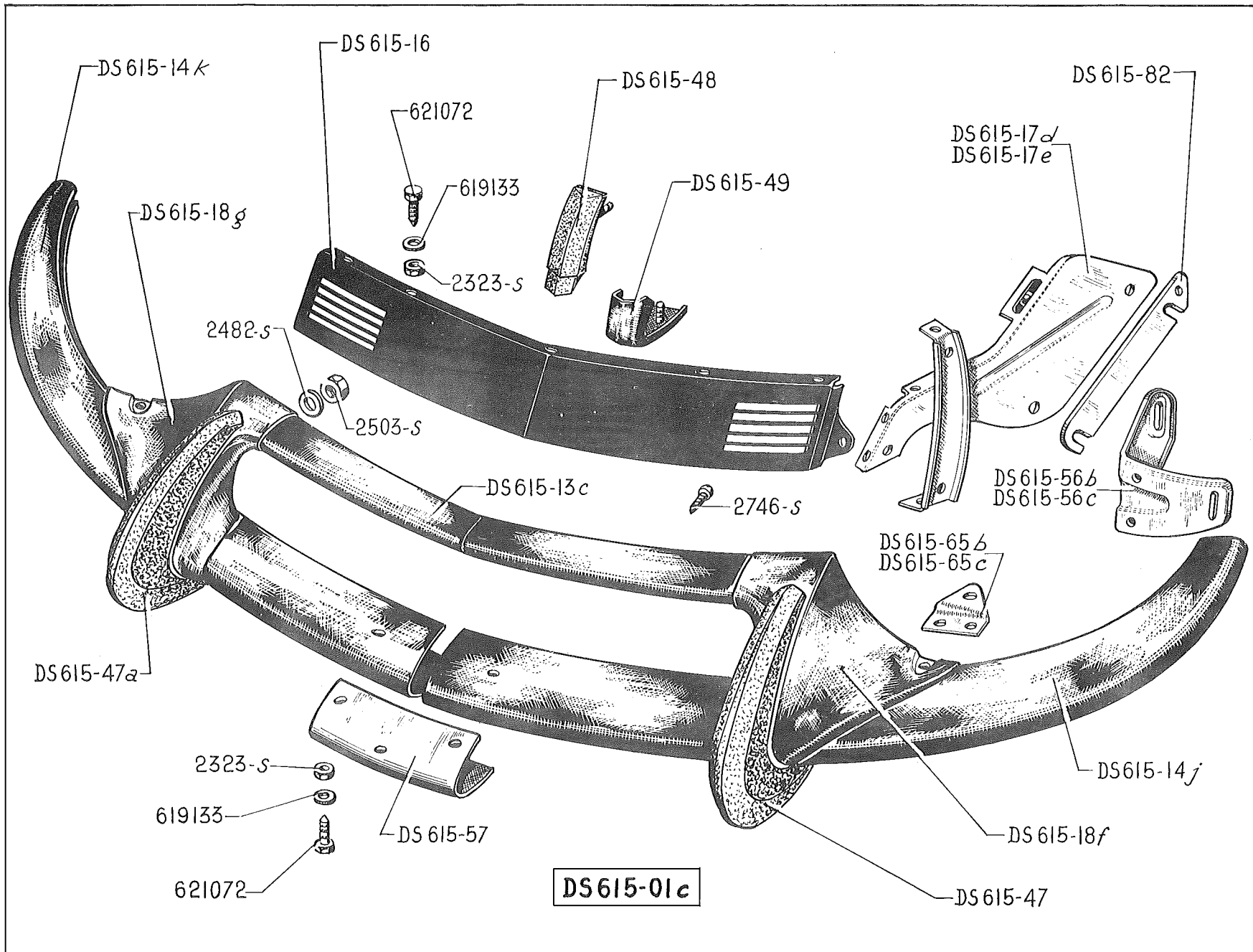
DS 615-01b



256-FRONT BUMPERS

NUMBER	DESCRIPTION	No. OFF	NUMBER	DESCRIPTION	No. OFF	NUMBER	DESCRIPTION	No. OFF
	FRONT Until November 1961		DS 615-55a	Support plate for fitting extreme right-hand of bumpers. Since September 1958.	1	487-S 30	Screw, hex. head pointed 7 diameter x 25 long, securing rubber block on caisson (R. III). Until September 1958.	2
DS 615-01b	Front bumpers complete.	1	DM 615-57	Reinforcement for assembling lower half bumpers.	1	532-S	Screw, hex. head, pointed 9 diameter x 28 long, securing bumpers on caisson (R. III).	4
D 615-1	Fixed support, left-hand. Until September 1958.	1	D 615-61	Distance piece, 7.5 x 9.5 x 8, for screw securing rubber block. Until September 1958.	4	1.020-S	Screw, hex. head, 12 diameter x 22 long, securing supports on body on bumper supports (R. III). Since September 1958.	2
D 615-1a	Fixed support, right-hand. Until September 1958.	1	D 615-62	Rubber block for fitting at extreme left-hand end of bumper. Until September 1958.	1	1.352	Washer, 20.5 x 30 x 1.5 for locking fixed support on bumpers (R. I). Until September 1958.	2
D 615-7	Rubber sleeve.	2	D 615-62a	Rubber block for fitting at extreme right-hand end of bumper. Until September 1958.	1	2.323-S	Nut, hex., 5 diameter x 75 pitch, for screws securing upper bumpers and registration number plate (R. III).	3
DS 615-13b	Bumper bar, upper, without end piece.	1	D 615-68	Rubber packing for lower half bumpers.	1	2.482-S	Washer, 7.5 x 14 for nuts securing lower bumper on movable support (R. III).	2
DS 615-14d	Half bumper bar, lower, left-hand.	1	D 615-73	Washer, rubber, 5 x 14 x 2 for end brackets of upper bumpers.	4	2.491-S	Nut, hex., 7 diameter x 100 pitch, for screws securing lower bumpers on movable support (R. III)	2
DS 615-14e	Half bumper bar, lower, right-hand.	1	D 615-75	Washer, rubber, 20 x 30 x 6, on fixed support for bumpers. Until September 1958.	2	2.669-S	Nut, hex., 12 diameter x 175 pitch, for screws securing supports on body on bumper supports (R. III). Since September 1958.	2
D 615-16	Registration number plate.	1	DM 615-98	Support, left-hand, without pivot on body. Since September 1958.	1	2.746-S	Screw, round head, P. K. cruciform slot, 4.85 x 16, securing distance piece on lower bumpers (R. VI).	4
D 615-17	Support, movable, left-hand. Until September 1958.	1	DM 615-98a	Support, right-hand, without pivot on body. Since September 1958.	1	614.203	Nut, hex., 20 diameter x 100 pitch, locking fixed support on bumpers (R. III). Until September 1958.	2
D 615-17a	Support, movable, right-hand. Until September 1958.	1	D 825-92	Screw, round head, 7 diameter x 20 long, for assembling lower half bumpers.	2	615.713	Nut clip for 4.85 diameter screws securing distance piece on lower bumper (R. VI).	4
DM 615-17	Support, left-hand, without rubber sleeve. Since September 1958.	1	483-S	Screw, hex. head, 7 diameter x 15 long, securing lower half bumpers on movable support (R. III).	2	619.122	Washer, 5.5 x 12 x 1 for screws securing upper bumper and registration number plate (R. III).	3
DM 615-17a	Support, right-hand, without rubber sleeve. Since September 1958.	1	486-S 30	Screw, hex. head pointed 7 diameter x 22.5 long (R. III) securing: - rubber block on lower bumpers. Until September 1958. - for support plate on extreme left and right-hand. Since September 1958.	2 4	621.062	Screw, hex. head, 5 diameter x 14 long, securing upper bumper and registration number plate (R. III).	3
DS 615-18	<i>End piece, left-hand. Replaced by DM 615-18.</i>	1						
DS 615-18a	<i>End piece, right-hand. Replaced by DM 615-18a.</i>	1						
D 615-55	Bracket, left-hand, for securing rubber block. Until September 1958.	1						
D 615-55a	Bracket, right-hand, for securing rubber block. Until September 1958.	1						
DS 615-55	Support plate for fitting extreme left-hand of bumpers. Since September 1958.	1						

NUMBER	DESCRIPTION	No. OFF	NUMBER	DESCRIPTION	No. OFF	NUMBER	DESCRIPTION	No. OFF
	November 1961 - September 1962							
DS 615-01b	Bumper, front complete.	1	DM 615-98	Support, left hand without pivot on body.	1	2.503-S	Nut, hex. 7 diameter x 100 pitch (R.III) for screws: - assembling lower half bumpers. - securing lower half bumpers on movable support.	2 4
DS 615-13b	Bumper, upper without end piece.	1	DM 615-98a	Support, right hand without pivot on body.	1	2.516-S 30	Screw, raised head countersunk, cruciform slot, 5 diameter 16 long securing end piece on upper bumpers (R. VI).	2
DS 615-14d	Half bumper, lower, left hand.	1	156-S	Screw, raised head 5 diameter 17.5 long securing upper bumpers on movable support (R. III).	4	2.659	Screw, hex. head 5 diameter 13 long securing end piece (R. III). <i>Replaced by 283-S.</i>	4
DS 615-14e	Half bumper, lower, right hand.	1	486-S 30	Screw, hex. head pointed 7 diameter 22.5 long (R. III) assembling: - lower half bumpers. - lower half bumpers on movable support. - for support plate at extreme left and right hand.	2 4 4	2.669-S	Nut, hex. 12 diameter 175 pitch for screws securing supports on body on bumper supports (R. III).	2
D 615-16	Registration number plate.	1	538-S 30	Screw, hex. head pointed, 9 diameter 22 long securing bumpers on caisson (R. III).	4	2.746-S	Screw, round head P.K. cruciform slot 4.85 x 16 securing distance piece on lower bumpers (R. VI).	4
DS 615-17b	Support, movable, left hand.	1	1.020-S	Screw, hex. head 12 diameter 22 long securing supports on body on bumper supports (R. III).	2	615.713	Nut clips for 4.85 diameter screws, securing distance piece on lower bumper (R. VI).	4
DS 615-17c	Support, movable, right hand.	1	2.312-S	Washer, plain 5.5 x 9 for screws securing end piece (R. III).	4	619.024	Washer, plain, 10 x 20, for screw securing bumper on caisson (R. II).	4
DS 615-18d	End piece, left hand (R. VI).	1	2.323-S	Nut, hex. 5 diameter 75 pitch (R. III) for screws securing: - end piece on upper bumper. - upper bumper and registration number plate. - upper bumper on movable support.	2 3 4	619.122	Washer, plain, 5.5 x 12 x 1 (R. III) for screws securing: - upper bumper and registration number plate. - upper bumper on movable support.	3 4
DS 615-18e	End piece, right hand (R. VI).	1	2.482-S	Washer, plain 7.5 x 14 for nuts securing lower bumper on movable support (R. III).	4	621.062	Screw, hex. head, 5 diameter x 14 long, securing upper bumper and registration number plate (R. III).	3
DS 615-55	Support plate, securing extreme left hand of bumpers.	1						
DS 615-55a	Support plate, securing extreme right hand of bumpers.	1						
DM 615-57	Reinforcement assembly for lower half bumpers.	1						
D 615-68	Rubber packing for lower half bumper.	1						



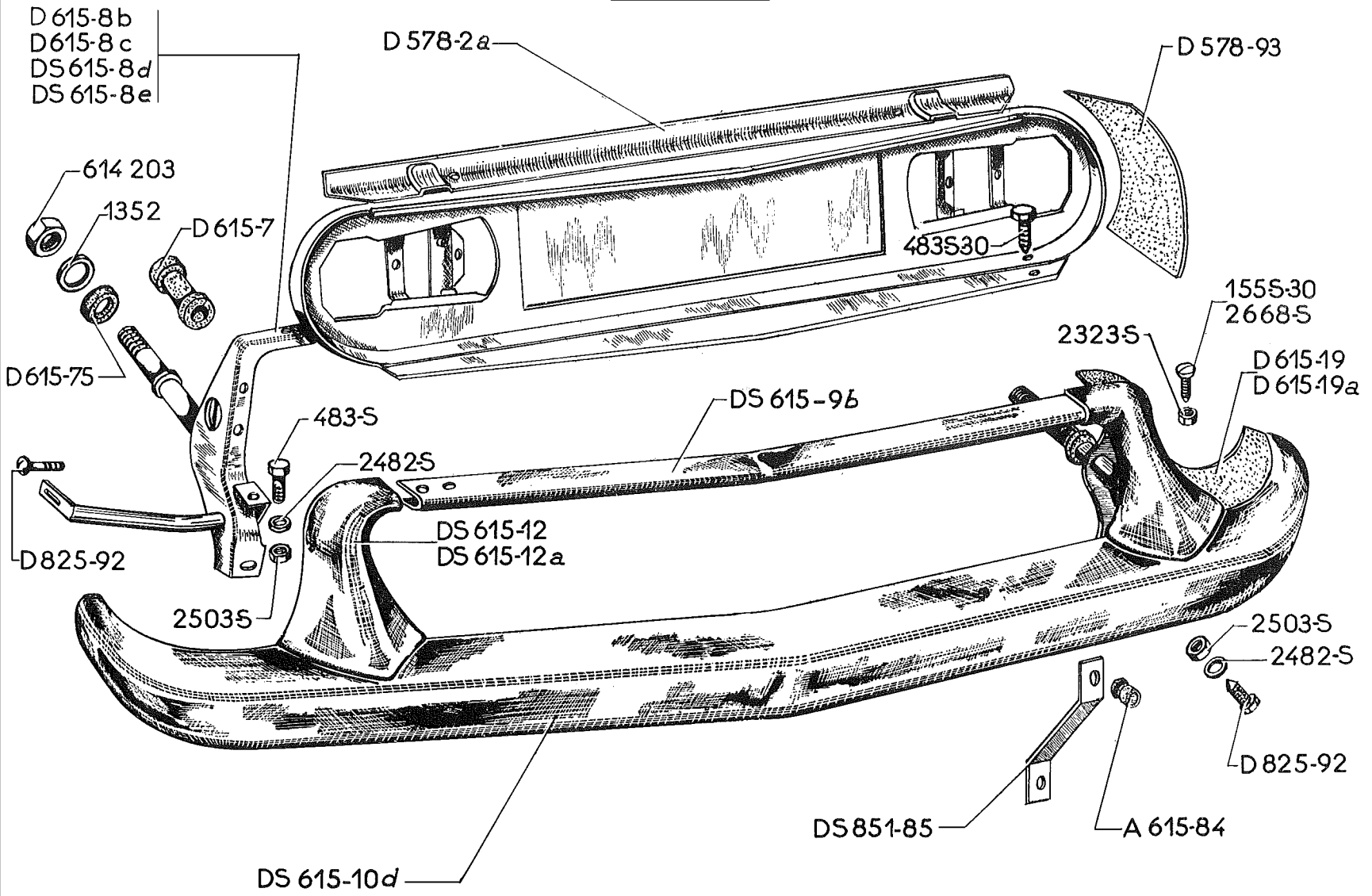
DS 615-01 c

260-FRONT BUMPERS

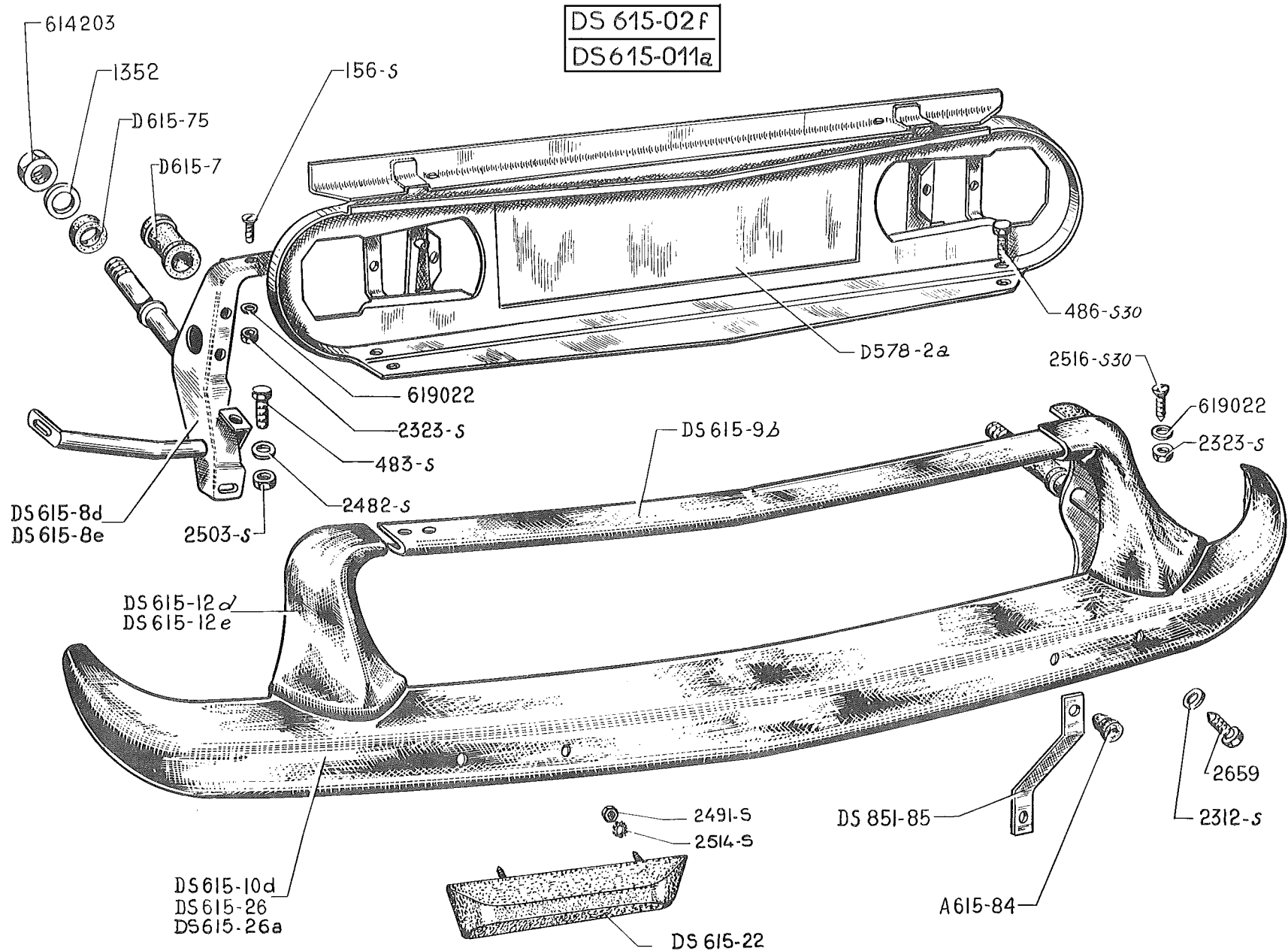
NUMBER	DESCRIPTION	No. OFF	NUMBER	DESCRIPTION	No. OFF	NUMBER	DESCRIPTION	No. OFF
	LEFT-HAND STEERING Since September 1962							
<u>DM 615-01e</u>	Bumper, front, complete. GERMANY.	1	<u>DM 615-49</u>	Cover joint for lower half bumpers (R. VI). GERMANY.	1	2.746-S	Screw, P.K. 4.85 x 16 securing registration number plate, lower part (R. VI).	4
DS 615-01c	Bumper, front, complete. (Except GERMANY.	1	DS 615-49	Cover joint for lower half bumpers (R. VI). (Except GERMANY).	1	619.133	Washer, plain for screws assem- bling and securing bumpers (R. IV).	24
DS 615-13c	<i>Bumper, upper, without end piece.</i> <i>Replaced by DX 615-13.</i>	1	DS 615-56b	Support plate, securing extreme left-hand of bumpers.	1	621.072	Screw, hex. head, 5 diameter 16 long (R. III) securing: - reinforcement on half bumpers. - bumpers, upper part. - registration number plate, upper part. - end piece on bumpers.	1 4 5 2
DS 615-14j	Half bumper, lower, left-hand.	1	DS 615-56c	Support plate, securing extreme right-hand of bumpers.	1			
DS 615-14k	Half bumper, lower, right-hand.	1	DS 615-57	Reinforcement assembly for lower half bumpers.	1			
DS 615-16	Registration number plate.	1	DS 615-65b	Plate securing end piece on bumpers, left-hand.	1			
DS 615-17d	Support, movable, left-hand.	1	DS 615-65c	Plate securing end piece on bumpers, right-hand.	1			
DS 615-17e	Support, movable, right-hand.	1	DS 615-82	Packing (aluminium) 4 mm thick for lateral adjustment of bumpers.	2	<u>DX 615-01a</u>	Bumper, front, complete.	1
DS 615-18f	End piece, left-hand.	1				<u>DS 615-20d</u>	Half bumper, lower, left-hand.	1
DS 615-18g	End piece, right-hand.	1	2.323-S	Nut, hex., 5 diameter 75 pitch (R. III) for screws securing: - cover joint. - registration number plate.	3 6	<u>DS 615-20e</u>	Half bumper, lower, right-hand.	1
DS 615-47	Stop, rubber, left-hand (R. VI).	1				<u>DS 615-45</u>	Distance piece (grille) for bumpers, left-hand.	1
DS 615-47a	Stop, rubber, right-hand (R. VI).	1	2.482-S	Washer, plain 7.5 x 14, for screws securing end piece (R. III).	6	<u>DS 615-45a</u>	Distance piece (grille) for bumpers, right-hand.	1
DS 615-48	Stop, rubber, central (R. VI).	1	2.503-S	Nut, hex., 7 diameter 100 pitch for screws securing end piece (R. III).	6	<u>DS 615-51a</u>	Distance piece, central part, forming registration number plate (R. VI).	1

262-REAR BUMPERS

DS 615-02 F



NUMBER	DESCRIPTION	No. OFF	NUMBER	DESCRIPTION	No. OFF	NUMBER	DESCRIPTION	No. OFF
	Until November 1961							
A 615-84	Rubber stop for rear wing on rear bumper. Since July 1959.	2	DS 615-8e	Movable support, right-hand. Since July 1959.	1	155-S 30	Screw, raised head, pointed, 5 x 15, for securing upper rear bumper on movable support (R. III).	4
D 478-2a	<i>Registration number plate. Replaced by DS 578-2.</i>	1	DS 615-9b	Bumper bar, upper.	1	483-S	Screw, hex. head, 7 x 15, securing lower bumper on movable support (R. III).	2
D 578-93	Rubber lining between bumper and registration number plate.	2	DS 615-10d	Bumper bar, lower.	1	483-S 30	Screw, hex. head, 7 x 15, securing registration number plate on panel (R. III).	4
DS 615-02f	<i>Rear bumpers complete without finishing strip. Replaced by DS 615-02h.</i>	1	DS 615-12	<i>End piece, left-hand. Replaced by DM 615-12.</i>	1	1.352	Washer, 20.5 x 30 x 1.5, securing fixed support (R. I).	2
D 615-7	Rubber stop.	2	DS 615-12a	<i>End piece, right-hand. Replaced by DM 615-12a.</i>	1	2.323-S	Nut, hex., 5 x 75, for screw securing upper rear bumper (R. III).	4
D 615-8b	Movable support, left-hand. Until July 1959.	1	D 615-19	Finisher between rear bumper, left-hand and rear wing, right-hand. Until July 1959.	1	2.482-S	Washer, 7.5 x 14, for nuts securing lower rear bumper (R. III).	6
D 615-8c	Movable support, right-hand. Until July 1959.	1	D 615-75	Anti-rattle washer, rubber, 20 x 30 x 6 on fixed support.	2	2.503-S	Nut, hex., 7 x 100, for screws securing lower rear bumper (R.III)	6
DS 615-8d	Movable support, left-hand. Since July 1959.	1	D 825-92	Screw, round head, 7 x 20, securing lower rear bumpers on movable support (R. VI).	4	2.668-S	Screw, P.K. round head, 3.5 x 10, securing finishing lining (R. VI).	2
			DS 851-85	Fixing plate for rear wing rubber buffer on rear bumpers. Since July 1959.	2	614.203	Nut, hex., 20 x 100, locking fixed support (R. III).	2

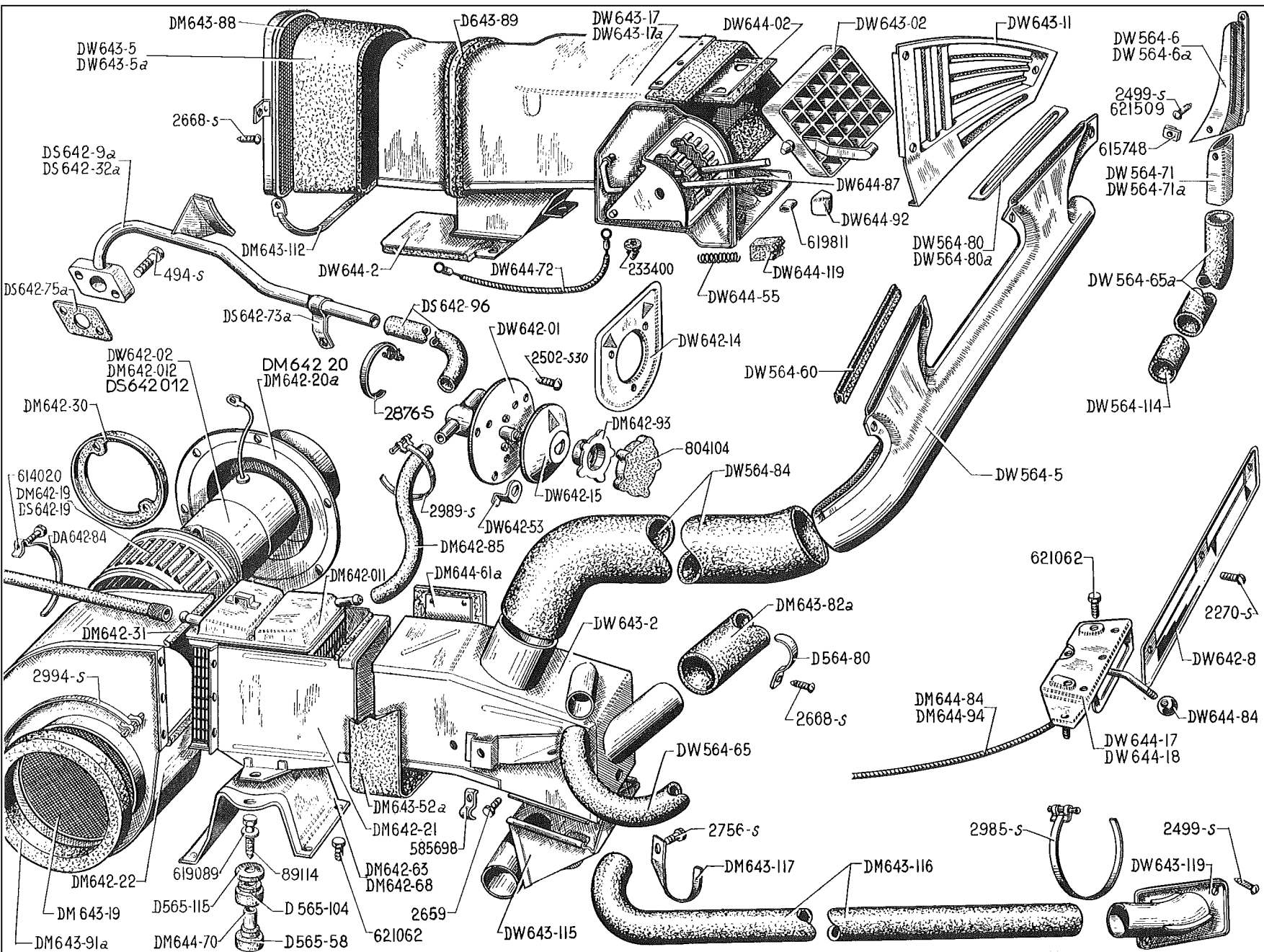


NUMBER	DESCRIPTION	No. OFF	NUMBER	DESCRIPTION	No. OFF	NUMBER	DESCRIPTION	No. OFF
	DEMISTING Until August 1961		D 564-79	<i>Bush, rubber, 6 x 13 x 6.5 securing motor on housing. Until December 1958. No longer supplied.</i>	3		HEATING VENTILATION	
D 522-13a	Switch 6 volts on instrument board (R.VI). Until September 1960.	1	D 564-80	Plate securing flexible duct, right hand.	1	DS 642-01a	Shut-off valve for heating, junction tube 14 mm diameter (R. VI). Replaces earlier types; order in addition: 1-DS 642-86, 1-DS 642-87.	1
DS 522-13	Switch 12 volts (R.VI). PRESTIGE Since June 1959 U.S.A. Since December 1959 All types Since September 1960	1	D 564-84	Flexible duct 45 x 51 x 94 connecting nozzle, left hand to radiator (R.VI).	1	DS 642-4	Diaphragm, rubber, for shut-off valve (R. VI).	1
D 564-1	Housing for fan (R.VI).	1	D 564-85	Flexible duct 45 x 51 x 500 connecting nozzle, right hand to radiator (R.VI).	1	D 642-5	<i>Bracket for knob operating shut-off valve (R. VI). Until July 1956. No longer supplied.</i>	1
D 564-2	Cover for fan housing (R.VI).	1	DS 564-101	Washer, fibre 4.3 x 10 x 13 x 4.5 shouldered for lower fixing of motor on casing (R.VI). Since December 1958.	3	DS 642-5	<i>Bracket for knob operating shut-off valve (R. VI). Since July 1956. No longer supplied.</i>	1
D 564-3	Fan (R.VI).	1	DS 564-102	<i>Washer, fibre 10.2 x 16 x 3 for upper fixing of motor on casing (R. VI). Since December 1958. No longer supplied.</i>	3	D 642-6	<i>Screw for shut-off valve (R. VI). Until July 1956. No longer supplied.</i>	1
D 564-5	Nozzle for distributing hot air, left hand.	1	65-S	Screw, round head 4 diameter 15 long securing fan housing cover (R. III).	7	DS 642-6	<i>Screw for shut-off valve (R. VI). Since July 1956. No longer supplied.</i>	1
D 564-6	Nozzle for distributing hot air, right hand.	1	122-S	Screw, round head 5 diameter 7.5 long for lower fixing of demister (R.III).	1	DS 642-7a	Rubber elbow tube, 21.5 x 30, for hot water outlet pipe.	1
D 564-7b	Motor 6 volts for demister (R.VI) Until September 1960.	1	124-S 30	Screw, round head 5 diameter 12.5 long pointed securing lower clip on dashboard (R.III).	1	D 642-8	Indicator plate for heater operation. Until July 1956.	1
DS 564-7	Motor 12 volts for demister (R.VI) PRESTIGE Since June 1959 U.S.A. Since December 1959 All types Since September 1960	1	2, 269-S	Nut, hex. 4 diameter 75 pitch (R.III). - for screws securing fan cover - for screws securing motor on casing	7 3	DS 642-8	Indicator plate for heater operation. Since July 1956.	1
D 564-74	Joint, rubber between radiator and demister motor	1	2, 668-S	Screw, P.K. round-head 3.5 x 10 securing flexible duct, right hand (R.VI).	1	DS 642-9	Pipe, 20 x 22, with flange for water outlet. Until September 1960.	1
D 564-75	<i>Plate, short, for lower fixing of demister motor on housing 28 mm. long. No longer supplied.</i>	1	621.050	Screw, hex. head pointed, 5 diameter 20 long securing demister on radiator (R.IV).	1	DS 642-9a	Inlet pipe for heater with support for filter. Since September 1960.	1
D 564-76	<i>Plate, long, for lower fixing of demister motor on dashframe 81 mm long. No longer supplied.</i>	1	621.061	Screw, hex. head 4 diameter 16 long (7 mm on flats) securing motor on casing (R.III). Since December 1958.	3	D 642-10	<i>Indicator for heater operation (inscription in English) (R. VI). U.S.A. No longer supplied.</i>	1
D 564-77	Screw, square head 4 diameter 12 long securing fan	1				D 642-11	Radiator for heating and demisting, right-hand (R. VI).	1
D 564-78	<i>Screw, round head, 4 diameter x 12.5 long, machined part 5.5 diameter securing motor on housing. Until December 1958. No longer supplied.</i>	3				D 642-12	Radiator for heating and demisting, left-hand (R. VI).	1

268-DEMISTING-HEATING-VENTILATION

NUMBER	DESCRIPTION	No. OFF	NUMBER	DESCRIPTION	No. OFF	NUMBER	DESCRIPTION	No. OFF
DS 642-32a	<i>Inlet pipe for heater without support for air filter. EXPORT. Since January 1961. Replaced by DS 642-32c.</i>	1	D 642-85	Pipe rubber 14 x 20 x 80 for water return, connecting central water return pipe and right hand radiator. Until April 1961.	2	D 643-68	Oval embellishing frame for lower heating duct, right hand.	1
DS 642-66	Rubber collar for flexible water return pipe 195 mm long.	1	DS 642-86	Pipe, rubber 13.5 x 20 x 404 between outlet pipe from shut-off valve and left hand radiator.	1	D 643-80	Rubber tensioning strap securing air ducts, 500 mm long.	2
DS 642-71a	Plate with welded screw for hot water outlet pipe support.	1	DS 642-87	Pipe, rubber 13.5 x 20, non-developed length 581 mm between shut-off valve pipe and right hand radiator.	1	D 643-89	Sealing strip between heater ducts, ventilation and upper dashframe 590 mm long (R. VI).	As nec.
DS 642-73a	Support for hot water outlet pipe.	1	D 642-88	<i>Central metal water return pipe 13 x 15 between left-hand and right-hand radiators, non-developed length 806 mm. Until April 1961. Replaced by DS 642-88a, order in addition 2-DM 642-78 (R. VI).</i>	1	D 643-90	Duct for hot air, elbowed to interior of right hand sidemember.	1
DS 642-75	Joint, oval, for flange of water outlet pipe, fixing by 2 holes 5.5 diameter, 38 mm between centres. (R. VI). Until September 1960.	1	DS 642-88a	Central rubber water return pipe between left hand and right hand radiators, 950 mm long. Since April 1961.	1	D 643-96	Duct for hot air (straight) to interior of right hand sidemember, length 890 mm.	1
DS 642-75a	Joint for flange of heater inlet pipe (R. VI). Since September 1960.	1	D 643-02a	Ventilation grille with deflector on dashboard, left hand.	1	D 644-02	Ventilation shutter with control lever, left hand.	1
D 642-78	Clip for central water return pipe. Until April 1961.	1	D 643-03a	Ventilation grille with deflector on dashboard, right hand.	1	D 644-02a	Ventilation shutter with control lever, right hand.	1
DM 642-78	Clip for central rubber water return pipe. Since April 1961.	2	D 643-2	Duct complete, for heating and ventilation, left hand.	1	DS 644-8	Shutter with central knob for lower heating deflection, right hand. Since November 1957.	1
D 642-79	Backplate, round securing sealing washer on dashframe.	1	D 643-2a	Duct complete, for heating and ventilation, right hand.	1	D 644-55	Return spring, left hand for ventilation shutter lever.	1
D 642-80	Sealing washer, round, on dashframe for water return pipe.	1	D 643-5	Air duct connection between front wing and heater duct, left hand.	1	D 644-55a	Return spring, right hand for ventilation shutter lever.	1
D 642-81	Sealing plate, rubber on engine housing panel.	2	D 643-5a	Air duct connection between front wing and heater duct, right hand.	1	D 644-56	Hinge pin 3 x 149 for ventilation grille deflector.	2
D 642-82	Backplate, oval securing sealing plate.	2	DS 643-8	Lower heating duct, right hand with deflecting shutter with central knob.	1	D 644-69	Spring for hinge pin for ventilation grille deflector.	2
DS 642-83	Joint, rubber 15 x 95 x 2 sealing heater control. Since July 1956.	1	D 643-66	Plate securing ventilation, right hand.	1	D 644-77	Return spring for lever operating deflector shutter for heating, lower right hand.	1
DS 642-84b	Rubber pipe, elbowed 19.5 x 26 for water return connecting left-hand radiator towards pump, non-developed length 360 mm.	1	D 643-67	Plate securing ventilation, left hand.	1	D 644-84	Knob for lever controlling heating and ventilation (R. VI).	4
						D 644-86	Lever, right hand controlling ventilation shutter.	1
						D 644-87	Lever, left hand controlling ventilation shutter.	1
						DS 644-97	Knob for lower heating deflector, right hand, central fixing (R. VI). Since November 1957.	1

NUMBER	DESCRIPTION	No. OFF	NUMBER	DESCRIPTION	No. OFF	NUMBER	DESCRIPTION	No. OFF
D 743-91	Sealing rubber for connection between air duct and front wing, length 950 mm (R. VI).	As nec.	DM 642-04	Temperature gauge bulb unit (R. VI).	1			
2.221-S	<i>Nut, hex., 3 x 60, for pivot pin for deflector on grille (R. III). Replaced by 2.319-S.</i>	2	DM 642-9c	Plate on cylinder head for temperature gauge bulb unit with welded nut.	1			
2.502-S 30	Screw, round head, cruciform slot, 5 diameter x 12 long, securing shut-off valve (R. VI).	2	DS 642-12	Radiator for heating and demisting, left hand (R. VI).	1	D 64-2	Ducellier apparatus, 6 volts complete (R. VI).	1
2.610-S	Screw, raised head countersunk 3.5 x 15, cruciform slot, securing indicator plate (R. VI).	3	DM 642-14	Indicator plate for heater adjustment (R. VI). Europe.	1	D 643-135	Ventilation nozzle, rear (R. VI).	2
2.659	<i>Screw, hex. head, 5 diameter x 13 long, for assembling shut-off valve (R. III). Replaced by 285-S 30.</i>	4	DM 642-14a	Indicator plate for heater adjustment (R. VI). U. S. A.	1	D 642-18	<i>Casing for motor (R. VI). No longer supplied.</i>	1
2.668-S	Screw, round head, 3.5 diameter x 10 long, securing fixing plate (R. VI).	11	DS 642-61	<i>Pipe, rubber, 13.5 x 22 for R.H. heating radiator return and feed to rear group, length 2.185 m. No longer supplied.</i>	1	D 643-112	Clip securing ducts (R. VI).	As nec.
614.002	Clip securing pipes, length 220 mm (R. VI).	2	DS 642-70	Pipe rubber 13.5 x 22 for left hand heating radiator return and feed to right hand heating radiator, length 1.145 m.	1	D 643-113	Clip securing ducts (R. VI).	As nec.
614.007	Clip securing pipes, length 190 mm (R. VI).	8	DS 642-82	Pipe, rubber 13.5 x 22 connecting shut-off valve to heating radiator, length 330 mm.	1	D 643-115	<i>Duct, connecting motor and union (R. VI). No longer supplied.</i>	1
614.011	Clip, 240 mm. long (R. VI).	1	DS 643-8c	Duct, lower for heating, right hand with deflection shutter.	1	D 643-137	<i>Duct, connecting nozzle (R. VI). No longer supplied.</i>	1
621.049	Screw, hex. head pointed, 5 diameter 30 long (slot on head) securing heating and demisting radiator and heating and ventilation duct (R. III).	6	2.270-S	Screw, raised head countersunk 4 x 14 securing heater indicator plate (R. VI).	3	D 64-1	Motor, 12 volts (R. VI).	1
624.001	Stop washer for ventilation shutter lever (R. VI).	2	2.989-S	Clip securing flexible water outlet pipe on shut-off valve, length 245 mm. (R. VI).	1	D 64-1a	<i>Motor, 6 volts (R. VI). No longer supplied.</i>	1
804.104	Knob, rubber for operating shut-off valve (R. VI).	1	614.020	Clip, ligarex (R. VI) for screw securing: - flexible pipe on heater inlet pipe - for rubber pipes on radiator	1 4	D 643-149	<i>Protector for piping, left-hand (R. VI). No longer supplied.</i>	1
	FRONT HEATING COLD CLIMATES SPECIAL PARTS					D 643-138	<i>Forked connection (R. VI). No longer supplied.</i>	1
DM 642-01	Shut-off valve controlling heating (R. VI).	1				D 642-17	Resistance for motor, 12 volts (R. VI).	1
						D 642-17a	Resistance for motor, 6 volts (R. VI).	1
						D 642-52	<i>Support for motor (R. VI). No longer supplied.</i>	1
						D 644-93	<i>Cover for ventilation air inlet (R. VI). No longer supplied.</i>	1
							REAR VENTILATION BERLINE WITH PARTITION PRESTIGE	



272-DEMISTING-HEATING-VENTILATION

NUMBER	DESCRIPTION	No. OFF	NUMBER	DESCRIPTION	No. OFF	NUMBER	DESCRIPTION	No. OFF
	August 1961 - September 1962 DEMISTING			HEATING VENTILATION				
DW 564-5	Nozzle for defrosting windscreen (R. VI).	1	D 564-80	Plate securing flexible duct for front heating, right-hand, on engine housing panel.	3	DM 642-22	Volute for impeller (R. VI).	1
DW 564-6	Nozzle for demisting front door glass, left-hand (R. VI).	1	D 565-58	Bush rubber, 12 x 20 x 17 x 6 for screws securing heater group (R. VI).	3	DM 642-30	Thrust plate for motor (R. VI). Until January 1962.	1
DW 564-6a	Nozzle for demisting front door glass, right-hand (R. VI).	1	D 565-104	Bush, rubber, 8 x 20 x 8 for screws securing heater group.	3	DM 642-31	Joint, rubber, between casing and volute (R. VI).	1
DW 564-60	Sealing strip between demister nozzle and dashboard, length 185 mm.	2	D 565-115	Cup washer for bush securing heater group (R. VI).	1	DS 642-32a	<i>Inlet pipe for heater without support for air filter. EXPORT. Replaced by DS 642-32c.</i>	1
DW 564-65	Flexible pipe 29 x 33.5 x 730 for lateral demisting nozzle, left-hand (R. VI).	1	DW 642-01	<i>Shut-off valve controlling heating without knob (R. VI). Replaced by DW 642-01a.</i>	1	DW 642-53	Guide stop for shut-off valve (R. VI).	1
DW 564-65a	Flexible pipe 29 x 33.5 x 730 for lateral, demisting nozzle, right-hand (R. VI).	1	DM 642-02	<i>Heater group, Ducellier (3215 A) (R. VI). Until January 1962. Replaced by DW 642-02.</i>	1	DW 642-63	Support, front for heater group.	1
DW 564-71	Union for lateral demisting nozzle, left-hand (R. VI).	1	DW 642-02	Heater group, "Ducellier" motor fixed by 3 screws (3215 B) (R. VI). Since January 1962.	1	DM 642-68	Support, lower for heater group.	1
DW 564-71a	Union for lateral demisting nozzle, right-hand (R. VI).	1	DM 642-011	Radiator for heating (R. VI).	1	DS 642-73a	Support for water outlet pipe.	1
DW 564-80	Finisher for defrosting nozzle on dashboard, left-hand, length 220mm	1	DM 642-012	Motor 12 volts (R. VI). Until January 1962.	1	DS 642-75a	Joint for heater pipe flange (R. VI).	1
DW 564-80a	Finisher for defrosting nozzle on dashboard; right-hand, length 215 mm.	1	DS 642-012	Motor, 12 volts, fixed by 3 screws (R. VI). Since January 1962.	1	DA 642-84	Flexible pipe for water return. Except cold climates.	1
DW 564-84	Flexible duct for connection between separation duct and windscreen nozzle, 75 mm diameter 88 mm long (R. VI).	1	DW 642-8	Indicator plate controlling ventilation, demisting and heating (R. VI).	1	DM 642-85	Feedpipe, rubber connecting shut-off valve to radiator of heater group.	1
DW 564-114	Union 31 x 33 x 45 for flexible pipe for right-hand lateral demisting to defroster nozzle.	1	DS 642-9a	Heater inlet pipe with support for filter.	1	DM 642-93	Body for knobs operating heater shut-off valve (R. VI).	1
2.499-S	Screw P. K. round head 3.5 x 9.5 securing demister nozzle to lateral glass (R. VI).	2	DW 642-14	Indicator plate controlling heating (R. VI).	1	DS 642-96	Flexible rubber pipe, elbowed 21.5 x 30, for hot water outlet pipe.	1
615.748	Nut clip for 3.5 screw assembling demister nozzle with union (R. VI).	2	DW 642-15	Disc with opening mark for heater shut-off valve (R. VI).	1	DW 643-02	<i>Ventilation grille on ventilation duct (R. VI). Replaced by DW 643-02a for right-hand or DW 643-02b for left-hand.</i>	2
621.509	Screw, raised head countersunk, 3.5 x 15, (cruciform slot) assembling demister nozzle with union (R. VI).	2	DM 642-19	Impeller (R. VI). Until January 1962.	1	DW 643-2	Duct supplying hot air.	1
			DS 642-19	Impeller (R. VI). Since January 1962.	1	DW 643-5	Air duct, left-hand, connected between front wing and ventilation duct (R. VI).	1
			DM 642-20	Support for motor (R. VI). Until January 1962.	1	DW 643-5a	Air duct, right-hand, connected between front wing and ventilator duct (R. VI).	1
			DM 642-20a	Support for motor fixed by 3 screws (R. VI). Since January 1962.	1	DW 643-11	Ventilation grille, on dashboard, right-hand.	1
			DM 642-21	Support box for radiator (R. VI).	1	DW 643-17	<i>Ventilation duct, left-hand. Replaced by DW 643-17b.</i>	1
						DW 643-17a	<i>Ventilation duct, right-hand. Replaced by DW 643-17c.</i>	1
						DM 643-19	Insect grille on heater group (R. VI).	1
						DM 643-52a	Flexible duct connecting heater group to supply duct.	1
						DM 643-82a	Flexible duct for front heating, right-hand, length 1150 mm (R. VI).	1

276-DEMISTING-HEATING-VENTILATION

NUMBER	DESCRIPTION	No. OFF	NUMBER	DESCRIPTION	No. OFF	NUMBER	DESCRIPTION	No. OFF
	Since September 1962 DEMISTING							
DS 564-5	Nozzle for demisting windscreen (R. VI). R.H. steering.	1	DS 564-80a	Finisher for demisting nozzle, right-hand. R.H. steering.	1	DS 642-011	Heater radiator (R. VI).	1
DW 564-5	Nozzle for demisting windscreen (R. VI). L.H. steering.	1	DW 564-80	Finisher for demisting nozzle, on dashboard, left-hand, 220 mm long. L.H. steering.	1	DS 642-012	Motor, 12 volts (R. VI).	1
DW 564-6	Nozzle for demisting front door glass, left-hand (R. VI).	1	DW 564-80a	Finisher for demisting nozzle on dashboard, right-hand, 215 mm long. L.H. steering.	1	DW 642-8	Indicator plate controlling ventilation, demisting and heating (R. VI).	1
DW 564-6a	Nozzle for demisting front door glass, right-hand (R. VI).	1	DW 564-84	Flexible duct for connection between separation duct and windscreen nozzle, 75 mm diameter x 88 mm long (R. VI).	1	<u>DM 642-9c</u>	Plate on cylinder head with welded nut for securing thermometer bulb. Since November 1964.	1
DS 564-41	Bracket for securing demisting nozzle for windscreen and glovebox on upper dashboard, right-hand side. R.H. steering.	1	DW 564-114	Union, 31 x 33 x 45 for flexible pipe for right-hand lateral demisting to demister nozzle.	1	DS 642-9	Heater inlet pipe. Manual gear change control.	1
DS 564-47	Bracket for securing windscreen demisting nozzle on upper dashboard, left-hand side. R.H. steering.	1	2.499-S	Screw, P.K. round head, 3.5 x 9.5, securing demister nozzle to lateral glass (R. VI).	2	DS 642-9a	Heater inlet pipe with support for filter. Hydraulic control.	1
DS 564-47a	Bracket for fixing windscreen demisting nozzle on upper dashboard, right-hand side. R.H. steering.	1	615.748	Nut clip for 3.5 diameter screw assembling demister nozzle with union (R. VI).	2	DW 642-14	Indicator plate controlling heating (R. VI).	1
DW 564-60	Sealing strip between demister nozzle and dashboard. 185 mm long.	1	621.509	Screw, raised head countersunk, (cruciform slot) assembling demister nozzle with union (R. VI).	2	DW 642-15	Disc with opening mark for heater shut-off valve (R. VI).	1
DW 564-65	Flexible pipe, 29 x 33.5 x 380, for lateral demisting nozzle, left-hand (R. VI).	1				DS 642-19	Impeller (R. VI).	1
DW 564-65a	Flexible pipe, 29 x 33.5 x 730, for lateral demisting nozzle, right-hand (R. VI).	1				DS 642-20	Half shell support for motor, right-hand (R. VI).	1
DW 564-71	Union for lateral demisting nozzle, left-hand (R. VI).	1				DS 642-32a	Inlet pipe for heater without support for air filter. EXPORT. Until October 1964.	1
DW 564-71a	Union for lateral demisting nozzle, right-hand (R. VI).	1				<u>DS 642-32c</u>	Inlet pipe for heater without support for filter. EXPORT. Since October 1964.	1
DS 564-80	Finisher for demisting nozzle, left-hand. R.H. steering.	1				DS 642-48	Support, rear, for heater and ventilation group.	1
				HEATING AND VENTILATION		DM 642-51a	Screw, round head, 4 diameter x 16.5 long, securing body of heater shut-off valve on support.	2
			D 564-80	Plate securing flexible duct for front heating, right-hand, on engine housing panel.	3	DW 642-53	Guide stop for shut-off valve (R. VI).	1
			D 565-58	Bush, rubber, 12 x 20 x 17 x 6, for screws securing rear left-hand of heater group on support (R. VI).	1	DS 642-63	Half bush for turbine, left-hand side (R. VI).	1
			D 565-104	Bush, rubber, 8 x 20 x 8 for front and rear heater group.	4	DS 642-73b	Support for water outlet pipe.	1
			D 565-115	Cup washer for bush securing rear left-hand of heater group (R. VI).	1	DS 642-75	Joint, oval, for for flange of water outlet pipe, 2 holes 5.5 diameter at 38 mm between centres (R. VI). DS Manual gear change control.	1
			DW 642-01a	Shut-off valve controlling heater without knob (R. VI).	1			
			DS 642-02	Heater and ventilation group Ducellier (3216 A) (R. VI).	1			
			<u>DM 642-04</u>	Thermometer bulb (R. VI). Since November 1964.	1			

NUMBER	DESCRIPTION	No. OFF	NUMBER	DESCRIPTION	No. OFF	NUMBER	DESCRIPTION	No. OFF
DS 642-75a	Joint for heater pipe flange (R. VI). Hydraulic control.	1	DS 643-17	<i>Ventilation duct, left-hand. R.H. steering. Until September 1964. Replaced by DS 643-17b.</i>	1	DM 643-82a	Flexible duct for front heating, right side, 1.150 m long (R. VI).	1
DM 642-78	Plate securing feed pipe connecting shut-off valve to radiator of heater group on dashframe (R. VI).	1	DS 643-17a	<i>Ventilation duct, right-hand. R.H. steering. Until September 1964. Replaced by DS 643-17c.</i>	1	D 643-89	Sealing strip between separation duct and upper dashframe, 590 mm long (R. VI).	As nec.
DS 642-84d	Flexible pipe for water return. 530 mm long.	1	<u>DS 643-17b</u>	Ventilation duct, left-hand, R.H. steering. Since September 1964.	1	DS 643-103	Flexible duct supplying air for right and left-hand ventilation, 840 mm (R. VI).	2
DM 642-85	Feed pipe, rubber connecting shut-off valve to radiator of heater group.	1	<u>DS 643-17c</u>	Ventilation duct, right-hand, R.H. steering. Since September 1964.	1	DW 643-115	Heater inlet for rear seats on separation duct.	1
DM 642-93	Body for knob operating heater shut-off valve (R. VI).	1	DW 643-17	<i>Ventilation duct, left-hand. L.H. steering. Until September 1964. Replaced by DW 643-17b.</i>	1	DM 643-116	Flexible duct for heating rear seats, 45 mm diameter, 1.500 m long (R. VI).	1
DS 642-96	Flexible rubber hot water outlet pipe.	1	DW 643-17a	<i>Ventilation duct, right-hand, L.H. steering. Until September 1964. Replaced by DW 643-17c.</i>	1	DM 643-117	Plate retaining heater duct for rear seats. Until September 1964.	1
DM 642-100	Washer, rubber insulating shut-off from heater, 100 mm diameter, 4 mm thick (R. VI).	1	<u>DW 643-17b</u>	Ventilation duct, left-hand, L.H. steering. Since September 1964.	1	<u>DM 643-117a</u>	Clip holding heater duct to rear seats. Since September 1964.	1
DS 642-104	Spring securing upper part of radiator on heater group (R. VI).	1	<u>DW 643-17c</u>	Ventilation duct, right-hand, L.H. steering. Since September 1964.	1	DW 643-119	Plate retaining heater duct.	1
DW 643-02	<i>Ventilation grille on ventilation duct (R. VI). Until September 1964. Replaced by DW 643-02a for right-hand or DW 642-03b for left-hand.</i>	2	DS 643-19	Insect grille on front wing air inlet duct.	2	<u>DM 643-134</u>	Nozzle for warm air to distribution duct, left-hand, with rear heater arrangement (R. VI).	1
<u>DW 643-02a</u>	Grille on ventilation duct (R. VI): - right-hand. L.H. steering. - left-hand. R.H. steering. Since September 1964.	1	DS 643-50	Plate forming clip with welded nut securing ventilation duct on right-hand front wing.	1	DS 643-156	Trimming plate for plate holding warm air duct for rear seats (R. VI). PALLAS.	1
<u>DW 643-02b</u>	Grille on ventilation duct (R. VI): - left-hand L.H. steering. - right-hand. R.H. steering. Since September 1964.	1	DS 643-52	Flexible duct connecting heater group radiator with separation duct.	1	DW 644-02	Ventilation shutter, upper, in duct.	2
DS 643-2	Duct for hot air distribution with shutter control.	1	DS 643-53a	Plate securing supply duct on right-hand front wing.	1	DW 644-2	Ventilation shutter, lower, under duct.	2
DS 643-5	Flexible duct connecting heater group to ventilation duct, left-hand	1	DS 643-57	Duct (metal), for air inlet on right and left-hand front wing.	2	DW 644-17	Control for heater shutter.	1
DS 643-6	Duct connecting between feed duct and ventilation, right-hand (R. VI).	1	DS 643-67	Clip forming collar for securing heating duct, right-hand side, with welded nut.	1	DW 644-18	Control for heating deflection shutter.	1
DS 643-11	Ventilation grille on dashboard, left-hand side. R.H. steering.	1				DW 644-55	Spring, 5.5 x 20 for plunger on lever controlling ventilation shutters on duct.	4
DW 643-11	Ventilation grille on dashboard, right-hand. L.H. steering.	1				DM 644-61a	Shutter for heating on front hot air separation duct.	1
						DM 644-70	Distance piece, 5.5 x 8 x 10.5, for bush securing rear left-hand of heater group on support.	1
						DS 644-70	Distance piece, 5.5 x 8 x 16, for screws securing front and rear right-hand of heater group (R. VI).	2

The numbers underlined indicate new parts which do not appear on the illustration.

280-DEMISTING-HEATING-VENTILATION

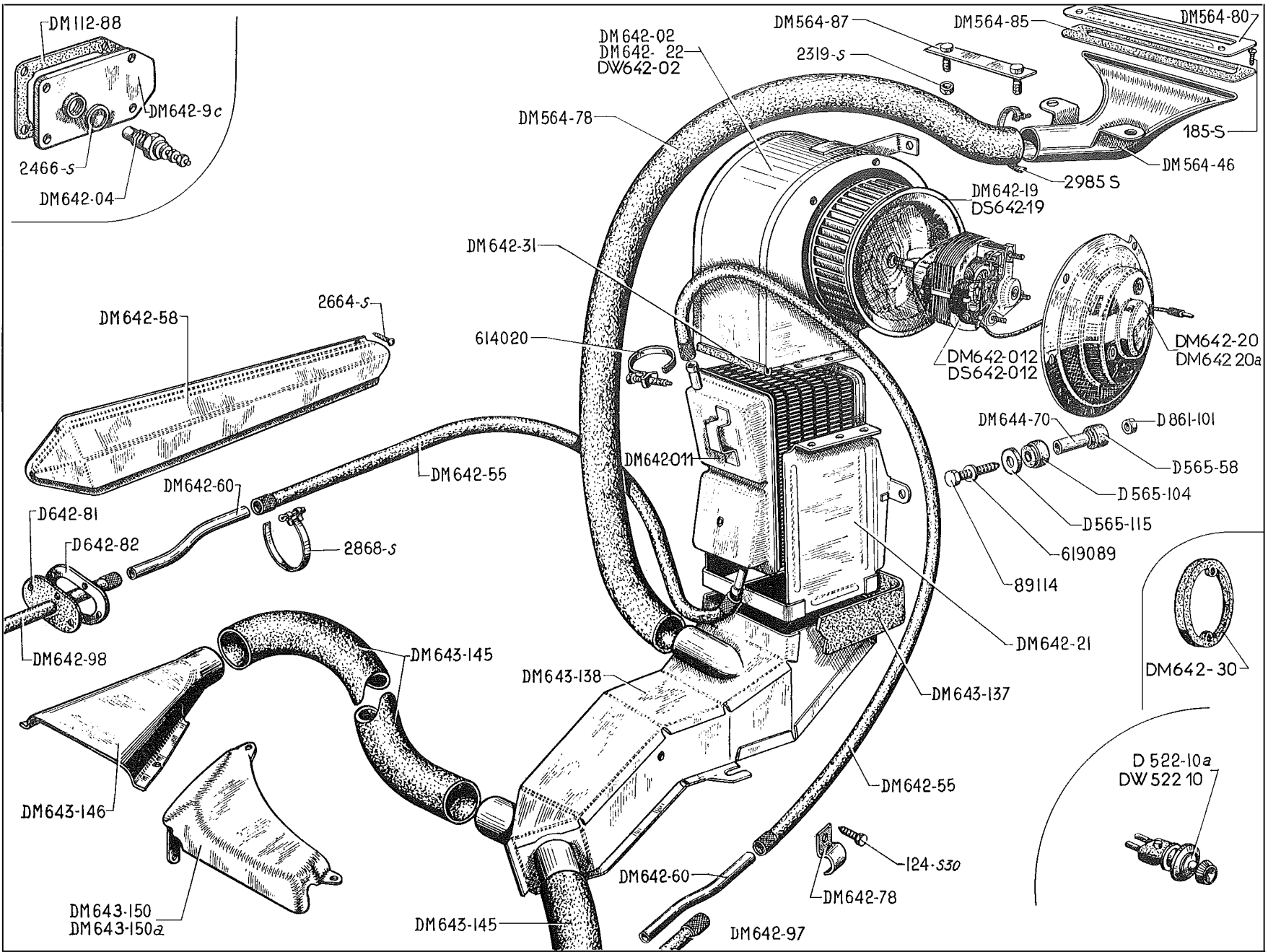
NUMBER	DESCRIPTION	No. OFF	NUMBER	DESCRIPTION	No. OFF	NUMBER	DESCRIPTION	No. OFF
DW 644-72	Cable controlling ventilation shutter, 225 mm long (R. VI).	2	2. 756-S	Screw, round head, 3.5 diameter x 9.5 long, cruciform slot, securing plate for heater duct to rear seats.	1	621.062	Screw, hex. head, 5 diameter x 14 long (R. III) securing:	3
DM 644-84	Cable controlling heater deflection shutter, 765 mm long (R. VI).	1	2. 876-S	Clip, Ligarex, securing water outlet pipe, 287 mm long (R. VI).	1		- plate for duct on front wing, right-hand.	2
DW 644-84	Knob for levers controlling heater shutter (R. VI).	2	2. 985-S	Clip with pin securing heater duct for rear seats, 438 mm long (R. VI).	2	621.072	- distribution duct.	4
DW 644-87	Lever controlling ventilation shutters on duct. Until September 1964.	4	2. 989-S	Clip securing outlet and feed pipes on shut-off valve, 245 mm long (R. VI).	2		- shutter controls.	2
<u>DW 644-87a</u>	Control lever for ventilation shutters on duct, 152 mm long. Since September 1964.	4	3. 016-S	Clip securing flexible piping connecting radiator to distribution duct, length 0.870 m (R. VI).	1	619.811	- ventilation ducts.	4
DW 644-92	Knob for levers controlling ventilation on dashboard (R. VI).	4	89. 114	<i>Screw hex. head, 5 diameter x 25 long, securing heater group on support (R. III). Replaced by 285-S 30.</i>	3	804.104	Screw, hex. head, 5 diameter x 16 long, securing rear support for heater group (R. III).	4
DM 644-94	Cable controlling heater shutter, 685 mm long (R. VI).	1	233.400	Stop for ventilation shutter (R. IV).	4		Clip securing knobs for ventilation control levers on dashboard (R. VI).	4
DW 644-119	Plunger for positioning ventilation shutters on duct (R. VI).	4	585.698	Clip for shutter control cable (R. III).	2		Knob, rubber, for operating heater shut-off valve (R. IV).	1
494-S	Screw, hex. head, 7 diameter x 42 long, securing heater inlet pipe (R. III).	2	614.020	Clip securing water return pipe, 113 mm long (R. VI).	1			
2. 270-S	Screw, raised head countersunk, 4 diameter x 14 long, securing heater indicator plate (R. VI).	3	614.050	Ligarex clip with screw securing air outlet side of ducts and insect grille, 720 mm long (R. VI).	4			
<u>2. 466-S</u>	Fibre gasket for thermometer bulb, 18.3 x 24 x 1 (R. VI).	1	618.745	Rivet securing air inlet duct on wing (R. VI).	8	D 643-135	Nozzle for rear ventilation (R. V.).	2
2. 499-S	Screw, raised head countersunk, 3.5 diameter x 9.5 long (cruciform slot), securing plate retaining duct (R. VI).	2	619.089	Washer, 5.5 x 20 x 1 for screws securing front and rear right-hand of heater group (R. III).	2	D 643-112	Clip securing ducts (R. VI).	As nec.
2. 548-S 30	Screw, round head, pointed, 5 diameter x 16.5 long (R. VI) securing:	3				D 643-113	Clip securing ducts (R. VI).	As nec.
	- heater shut-off valve.	2				D 643-115	<i>Duct for junction of motor and union (R. VI). No longer supplied.</i>	1
	- ventilation ducts.	2				D 643-137	<i>Duct connecting nozzle support (R. VI). No longer supplied.</i>	1
2. 659	<i>Screw, hex. head, 5 diameter x 13 long, securing shutter control cable clip (R. III). Replaced by 283-S.</i>	2				D 64-1	Motor (R. VI).	1
2. 668-S	Screw, round head, 3.5 diameter x 10 long, securing plate for heater duct on engine housing panel (R. VI).	4				D 643-149	<i>Protector for piping, left side (R. VI). No longer supplied.</i>	1
						D 643-138	<i>Fork union (R. VI). No longer supplied.</i>	1
						D 642-17	Resistance 12 volts (R. VI).	1
						D 642-52	<i>Motor support (R. VI). No longer supplied.</i>	1
						D 644-93	<i>Cover for air inlet for ventilation (R. VI). No longer supplied.</i>	1

**REAR VENTILATION
BERLINE WITH PARTITION
PRESTIGE**

280A-FRONT VENTILATION

NUMBER	DESCRIPTION	No. OFF	NUMBER	DESCRIPTION	No. OFF	NUMBER	DESCRIPTION	No. OFF
DM 522-10b	VENTILATION BY BLOWER RIGHT HAND SIDE Right hand Steering Left-hand Steering Since February 1965 Switch for blower, on dashboard (R. VI).	1	DM 641-20	Half bearing, motor side (R. VI).	1	2.334-S	Washer, shakeproof, 5.2 x 9.4, for the screws securing the blower on the caisse (R. VI).	3
			DM 641-21	Half bearing, turbine side (R. VI).	1	DM 641-22	Support bracket (R. VI).	1
			DM 641-012	Motor, 12 volts (R. VI).	1	DM 641-19	Turbine (R. VI).	1
			DM 641-0	Air blower, Ducellier (R. VI).	1	295-S 30	Screw, hex. head, pointed, 5 x 16, for securing blower on caisse (R. III).	3

282-REAR HEATING AND REAR WINDOW DEMISTING-COLD CLIMATES



REAR HEATING AND REAR WINDOW DEMISTING-COLD CLIMATES-283

NUMBER	DESCRIPTION	No. OFF	NUMBER	DESCRIPTION	No. OFF	NUMBER	DESCRIPTION	No. OFF
	ALL TYPES Until September 1964		D 565-58	Bush, shouldered, rubber, 12 x 20 x 17 x 6 for screws securing heater group (R. VI). Until February 1965.	3	DM 642-20	Support for heater group motor (R. VI). Until January 1962.	1
<u>HY 642-02</u>	Rear heater group, Ducellier (3218 A) (R. VI). Since February 1965.	1	D 565-104	Bush, rubber, 8 x 20 x 8 for screws securing heater group. - Until February 1965. - Since February 1965.	3 6	DM 642-20a	Support for motor, fixed by 3 screws (R. VI). January 1962 - February 1965.	1
<u>HY 642-23</u>	Half bearing, turbine end (R. VI). Since February 1965.	1	D 565-115	Washer, cupped, for bush for heater group fixing (R. VI). Until February 1965.	3	<u>DS 642-20</u>	Half bearing and motor support (R. VI). Since February 1965.	1
DM 112-88	Joint for closing plate (R. VI).	1	DM 642-02	<i>Heater group and rear demister group, Ducellier (3215 A) (R. VI). Until January 1962. Replaced by DW 642-02.</i>	1	DM 642-21	Box support for heater radiator (R. VI). Until February 1965.	1
D 522-10a	Switch for rear heater group, on dashboard (R. VI). Until August 1961.	1	DW 642-02	Rear heater group "Ducellier" motor fixed by 3 screws (3215 B) (R. VI). January 1962 - February 1965.	1	DM 642-22	Volute for heater group impeller (R. VI). Until February 1965.	1
DW 522-10	Switch for rear heater group, on dashboard (R. VI). Since August 1961.	1	DM 642-04	Temperature gauge bulb unit (R. VI).	1	DM 642-30	Thrust plate for heater group motor (R. VI). Until January 1962.	1
DM 564-46	Nozzle for rear window demisting (R. VI).	1	DM 642-011	Radiator for heater group (R. VI). Until February 1965.	1	DM 642-31	Joint, rubber, between box and heater group volute (R. VI). Until February 1965.	4
DM 564-78	Flexible duct connecting rear separation duct to rear window demisting nozzle, 1.020 m long (R. VI).	1	<u>DS 642-011</u>	Radiator for heater group (R. VI). Since February 1965.	1	DM 642-55	Pipe, rubber, rear, 13.5 x 21 for water return from rear heater group, 1.550 m long.	2
DM 564-80	Finisher for fixing rear window demisting nozzle (R. VI).	1	DM 642-012	Motor, 12 volts for heater group (R. VI). Until January 1962.	1	DM 642-58	Protector for rubber feed and water return pipe from rear group (R. VI).	2
DM 564-85	Sealing joint, rubber between demister nozzle and rear window shelf, 200 mm long (R. VI).	1	DS 642-012	Motor, 12 volts fixed by 3 screws (R. VI). Since January 1962.	1	DM 642-60	Pipe, elbowed, 12.5 x 14 connecting feed pipe (R. VI).	2
DM 564-87	Reinforcement for rear window demister nozzle fixing, 2 welded screws at 68 mm between centres (R. VI).	1	DM 642-9c	Plate on cylinder head with welded nut for fixing of temperature gauge bulb unit.	1	DM 642-78	Plate securing water return pipe on separation duct and access panel (R. VI).	5
			DM 642-19	Impeller for heater group (R. VI). Until January 1962.	1	D 642-81	Rubber sealing plate on engine mounting.	2
			DS 642-19	Impeller (R. VI). Since January 1962.	1	D 642-82	Counterplate for securing sealing plate.	2
						DM 642-97	Pipe, rubber, front, 13.5 x 21 for water return from rear group, 3.040 m long.	1

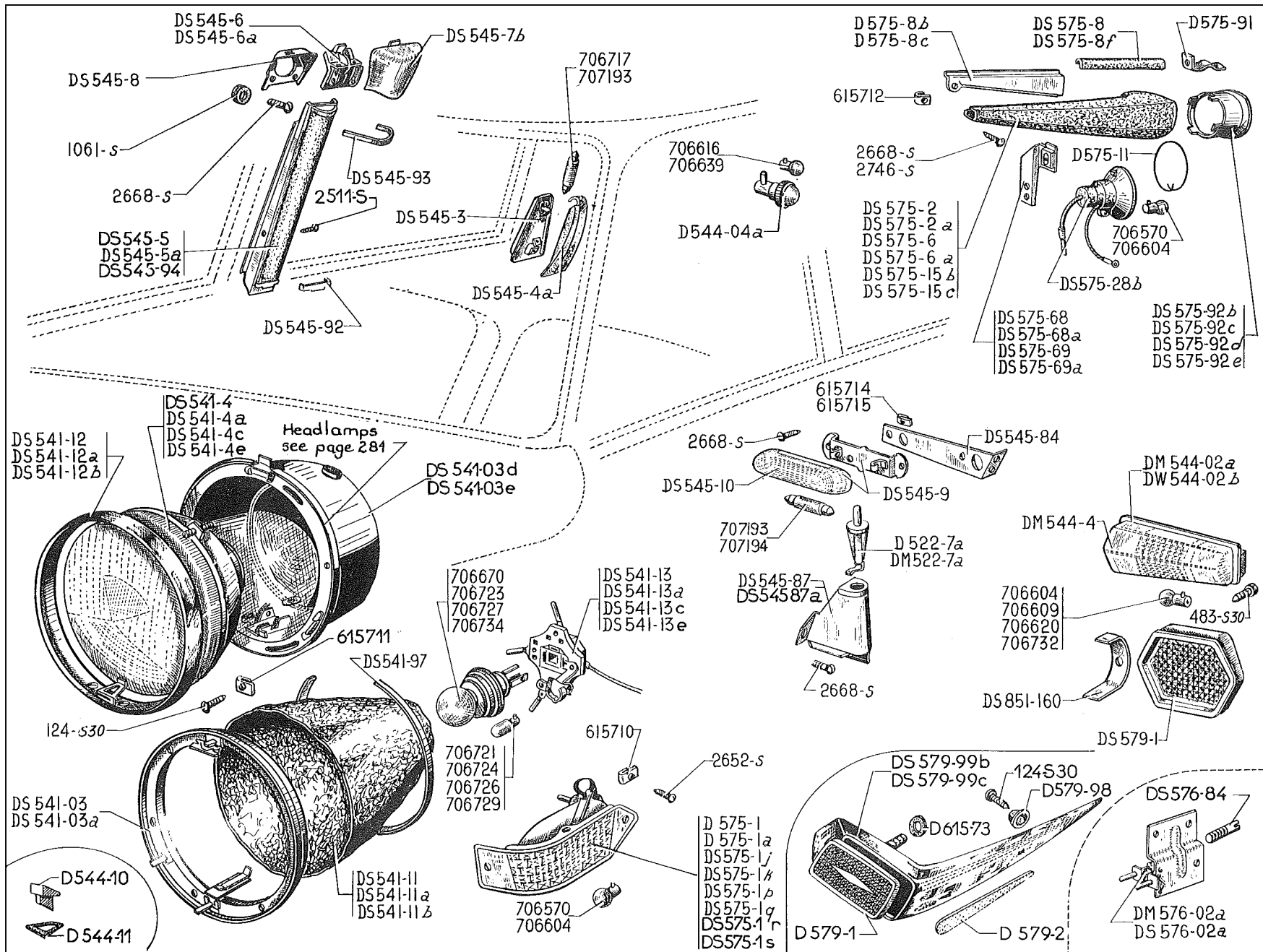
The numbers underlined indicate new parts which do not appear on the illustration.

REAR HEATING AND REAR WINDOW DEMISTING - COLD CLIMATES - 283A

NUMBER	DESCRIPTION	No. OFF	NUMBER	DESCRIPTION	No. OFF	NUMBER	DESCRIPTION	No. OFF
DM 642-98	Pipe, rubber, front, 13.5 x 21, feeding rear heater group, 3.380 m long.	1	<u>DS 643-152</u>	Protector, left-hand, with trimming, for nozzle taking warm air to rear seats. PALLAS. (State colour).	1	2.319-S	Nut, hex., 5 diameter x 75 pitch (R. III) securing: - demister nozzle on rear shelf. - finisher for nozzle.	2 2
<u>DS 642-104</u>	Spring for upper fixing of group radiator (R. VI). Since February 1965.	1	<u>DS 643-153</u>	Protector, right-hand, with trimming, for nozzle taking warm air to rear seats. PALLAS. (State colour).	1	<u>2.334-S</u>	Washer, shakeproof, 5.2 x 9.4, for screws securing group (R. VI). Since February 1965.	3
<u>DS 642-108</u>	Protector for rubber pipes, water feed and return to rear group. PALLAS.	2	<u>DM 644-70</u>	Distance piece, 5.5 x 8 x 10.5, for bush securing heater group. Until February 1965.	3	2.466-S	Joint, fibre, 18.3 x 24 x 1, for temperature gauge bulb nut (R. VI).	1
DM 643-137	Duct, rubber, between rear heater group and rear separation duct, 395 mm wide.	1	<u>DS 644-70</u>	Distance piece, 5.5 x 8 x 16 for bush securing heater group (R. VI). Since February 1965.	3	2.664-S	Screw, round head, P.K. 3.5 x 20 (R. VI) securing: - protectors for rubber pipe on sidemember. - for nozzles and nozzle protectors.	8 10
DM 643-138	Separation duct, rear, complete for heating and demisting.	1	D 861-101	Nut, hex., 5 diameter x 75 pitch, for screws securing rear group.	3	2.868-S	Clip securing rubber pipes on connecting pipe, 200 mm long (R. VI).	4
DM 643-145	Flexible duct for heating to rear seats.	2	124-S 30	Screw, round head, 5 diameter x 12.5 long, securing plates retaining rubber pipes on rear separation duct (R. III).	2	2.985-S	Clip securing duct on rear demisting nozzle, 438 mm long (R. VI).	1
DM 643-146	Nozzle for distribution of hot air to rear seats (R. VI).	2	185-S	Screw, raised head, countersunk, 5 diameter x 15 long, securing finisher for rear demister nozzle (R. III).	2	89.114	Screw, hex. head, 5 diameter x 25 long, securing heater group on partition (R. IV). Until February 1965.	3
DM 643-150	Protector, left-hand for distribution nozzle for hot air to rear seats (R. VI).	1	<u>298-S 30</u>	Screw, hex. head, 5 x 35, for securing group on partition. Since February 1965.	3	614.020	Clip securing rubber pipes on heater group (R. VI).	2
DM 643-150a	Protector, right-hand for distribution nozzle for hot air to rear seats (R. VI).	1				619.089	Washer, 5.5 x 20 x 1, for screws securing heater group (R. III).	3

The numbers underlined indicate new parts which do not appear on the illustration.

LIGHTING-DIRECTION INDICATOR LIGHTS-REAR LIGHT-STOP LIGHTS-285



NUMBER	DESCRIPTION	No. OFF	NUMBER	DESCRIPTION	No. OFF	NUMBER	DESCRIPTION	No. OFF
706.732	Bulb, 12 volts, 4 watts for lighting number plate, red light and parking light (R. VI).	6		Since July 1959			REAR LAMP—STOP LAMP Until September 1964	
	REAR LIGHT-STOP LIGHT PARKING LIGHTS GERMANY Since March 1964		DS 579-1	Reflector, rear located in rear wing (R. VI).	2	DS 544-02	Rear light, red, with lead (without bulb).	2
<u>DS 544-02e</u>	Seima rear light (without bulb) for lighting number plate, red light and parking light (R. VI).	2	DS 851-160	Clamp securing reflector on rear wing.	2	DS 544-03	Rear stop light, red, with lead (without bulb).	2
<u>DS 544-4a</u>	Cover for rear light (without support) (R. VI).	2		SPECIAL PARTS BERLINE WITH PARTITION PRESTIGE		DS 544-5	Glass, red, for rear lights (R. VI).	4
<u>DS 544-23</u>	Sealing joint for rear light cover (R. VI). Until November 1964.	2	D 545-2b	Interior light, front, complete (without bulb) (R. VI).	1	706.604	Bulb, 12 volts, 15 watts, for rear stop lamps (R. VI).	2
DS 576-02a	Stop lamp switch (R. VI). R. H. steering. L. H. steering. Since November 1964.	1	D 545-2c	Interior light, rear, complete (without bulb) (R. VI).	1	706.609	Bulb, 12 volts, 4 watts, for rear lights (R. VI).	2
<u>DS 576-02b</u>	Stop lamp switch (R. VI). R. H. steering.	1	D 545-4	Glass for front interior light (R. VI).	1	706.704	Bulb, 12 volts, 3 watts, for rear number plate illumination light (R. VI).	2
DS 576-84	Grub screw, 5 x 40, for adjusting stop light switch.	1	D 545-4a	Glass for rear interior light (R. VI).	1	DM 544-011	<i>Rear registration plate illumination lamp (without bulb) (R. VI). Replaced by DS 544-08.</i>	2
483-S 30	Screw, hex. head, 7 x 15, for securing rear light (R. III).	4		CABRIOLET		DM 544-14	<i>Plate securing rear lights, stop lights and registration number plate lights (R. VI). Replaced by DS 544-14.</i>	2
706.604	Bulb, 12 volts, 15 watts, for stop light (R. VI).	2	DS 579-04	Seima, rear reflector, left-hand, with support (R. VI).	1		REAR LAMP—STOP LAMP Since September 1964	
<u>706.739</u>	Bulb, 12 volts, 5 watts, for lighting number plate, red light and parking light (R. VI).	6	DS 579-04a	Seima, rear reflector, right-hand, with support (R. VI).	1	2.319-S	Nut, hex., 5 x 75, for screws securing lamps (R. III).	4
	REFLECTOR Until July 1959		DS 575-20	Cover, rear left-hand for Seima direction indicator light (R. VI).	1	DS 544-07c	Rear light, red, with lead (without bulb).	2
D 579-1	Reflector, rear (R. VI).	2	DS 575-20a	Cover, rear, right-hand for Seima direction indicator light (R. VI).	1	DS 576-2	Rear stop light, red, with lead (without bulb).	2
D 579-2	Reflector (paper) side rear (R. VI). Until November 1957.	2	DS 575-2h	Seima direction indicator light, rear left-hand, without bulb (R. VI).	1	706.744	Bulb, 12 volts (R. VI): - for red rear lights. - for rear lamp.	2 4
D 579-98	Cup for screw securing front reflector bracket.	2	DS 575-2i	Seima direction indicator light, rear right-hand, without bulb (R. VI).	1	706.745	Bulb, 12 volts, for red rear stop light (R. VI).	2
DS 579-99b	Bracket for reflector, left-hand side.	1	DS 579-95	Joint for reflector between wing and bracket (R. VI).	2	DS 544-08	Rear registration plate illumination lamp (without bulb) (R. VI).	2
DS 579-99c	Bracket for reflector, right-hand side.	1	D 545-2b	Front interior map reading light (without bulb) (R. VI).	1	DM 544-14	<i>Plate securing lamps (R. VI). Replaced by DS 544-14.</i>	2
D 615-73	Washer, rubber, 5 x 14 x 2 for screw securing reflector.	2	D 545-4	Glass for interior light (R. VI).	1	2.334-S	Washer, shakeproof, 5.2 x 9.4, under the nut securing lamps.	4
124-S 30	Screw, round head, 5 x 12.5, for securing bracket for reflector (R. III).	4				621.062	Screw, hex. head, 5 x 14, for securing rear lights (R. III).	4

284-HEADLAMPS (SECTION VI)

Make of Lamp	External Diameter of Headlamp	Shape of Glass	Diameter of Glass	Number of Headlamp	Number of Glass	Number of Rim	REMARKS
CIBIE	226	Convex	183	DS 541-1a	DS 541-4 (optic assembly)	DS 541-12	Until April 1961.
CIBIE	226	Convex	183	DS 541-1m	DS 541-4e (optic assembly)	DS 541-12	European standard. ITALY. All Types. Since April 1961. GERMANY. Until January 1964.
CIBIE	226	Convex	183	DS 541-1t	DS 541-4h (optic assembly)	DS 541-12	GERMANY. Since January 1964.
MARCHAL	226	Convex	183	DS 541-1b	DS 541-4a	DS 541-12a	Until April 1961.
MARCHAL	226	Convex	183	DS 541-1k	DS 541-4c (optic assembly)	DS 541-12b	European standard. Since April 1961. GERMANY. Until January 1961.

NUMBER	DESCRIPTION	No. OFF	NUMBER	DESCRIPTION	No. OFF	NUMBER	DESCRIPTION	No. OFF
DS 541-03	<i>Support for Cibie headlamp (R. VI). Until April 1961. Replaced by DS 541-03e.</i>	1	DS 541-13e	Connector for bulb holder for Cibie headlamp (R. VI). Since April 1961. GERMANY. Until January 1964.	2	706.723	Bulb, 6 volts (R. VI). ITALY. Until September 1960.	2
DS 541-03a	Support for Marchal headlamp (R. VI). Until April 1961.	1	<u>DS 541-13g</u>	Connector for bulb holder for Cibie headlamp (R. VI). GERMANY. Since January 1964.	2	706.724	Bulb, 6 volts, parking (R.VI). ITALY. Until September 1960.	2
DS 541-03d	Support for optic unit for Marchal headlamp (R. VI). Since April 1961.	2	DS 541-97	Clip securing dust cover for Cibie headlamp (R. VI). Until April 1961.	2	706.726	Bulb, 12 volts, parking, 4 watts (R.VI). ITALY. Since September 1960. All Types. Since April 1961. GERMANY. Until January 1964.	2
DS 541-03e	Support for optic unit for Cibie headlamp (R. VI). ITALY. All Types. Since April 1961.	2	D 544-10	Tell-tale, red for headlamp lighting on front wing (R. VI). Until September 1962.	2	706.727	Bulb, 12 volts 45/40 watts, for headlamp (R. VI). L. H. steering. ITALY. Since September 1960. All Types. Since April 1961. GERMANY. Until January 1964.	2
DS 541-11	Dust cover for Cibie headlamp (R. VI). Until September 1962.	2	D 544-11	Sealing joint for tell-tale on front wing. Until September 1962.	2	706.729	Bulb, 12 volts, 4 watts, 2 contacts (R. VI). Until April 1961.	2
DS 541-11a	Dust cover for Marchal headlamp (R. VI), Until April 1961.	2	124-S 30	Screw, round head pointed, 5 diameter x 12.5 long, securing headlamps on front wings (R. III).	12	706.734	Bulb, 12 volts, 36/45 watts for headlamps (R. VI). Until April 1961.	2
DS 541-11b	Dust cover for Cibie headlamp (R. VI). ITALY. All Types. April 1961-September 1962.	2	615.711	Nut clips for 5 diameter screw securing headlamps (R. VI).	12	<u>706.737</u>	Bulb, 12 volts, 45/40 watts (white) for headlamps (R. VI). R. H. steering and GERMANY. Since January 1964.	2
DS 541-13	Bulb holder for Cibie headlamp (R. VI). Until April 1961.	2	706.670	Bulb, 6 volts 36/45 watts for headlamps (R. VI). Until September 1960.	2	<u>706.741</u>	Bulb, 12 volts, 4 watts (parking) for headlamps (R. VI). GERMANY. Since January 1964.	2
DS 541-13a	Bulb holder for Marchal headlamp (R. VI). Until April 1961.	2	706.721	Bulb, 6 volts, 4 watts, 2 contacts for headlamps (R. VI). Until September 1960.	2			
DS 541-13c	Connector for bulb holder for Marchal headlamp (R. VI). Since April 1961. GERMANY. Until January 1964.	2						

288-HEAD LAMPS-LIGHTING-DIRECTION INDICATOR LIGHTS-REAR LIGHT-STOP LIGHTS

NUMBER	DESCRIPTION	No. OFF	NUMBER	DESCRIPTION	No. OFF	NUMBER	DESCRIPTION	No. OFF
DS 575-6a	Seima rear direction indicator housing (plastic), short right-hand (R. VI). Until January 1959.	1	DS 575-69a	Plate securing direction indicator, left-hand, on rear boot hinge, 50 mm long. Since February 1958.	1	706.639	Bulb, 12 volts, 1.5 watts for parking light (R. VI). Until August 1961. REAR LIGHT - STOP LIGHT Until August 1961	2
D 575-8b	Joint, metal for rear direction indicator light (plastic), short left-hand (R. VI). Until January 1959.	1	D 575-91	Spring retaining reflector for rear direction indicator light (R. VI).	2	DM 544-02a	Rear lamp complete (without bulb) (R. VI).	2
D 575-8c	Joint, metal for rear direction indicator light (plastic), short right hand (R. VI). Until January 1959.	1	DS 575-92b	Cowl, left-hand, for rear direction indicator light, long. Until February 1958.	1	DM 544-4	Cover for rear lamp (without support) (R. VI).	2
DS 575-8	<i>Joint, rubber sealing rear direction indicator light (metallic) right and left-hand. Until September 1961. Replaced by DS 575-8f</i>	2	DS 575-92c	Cowl, right-hand, for rear direction indicator light, long. Until February 1958.	1	<u>DS 544-23</u>	Sealing joint for rear light cover (R. VI).	2
DS 575-8f	Joint, rubber (moulded) sealing rear direction indicator light, right and left-hand. Since September 1961.	2	DS 575-92d	Cowl, left-hand, for rear direction indicator light, short metallic. Since February 1958.	1	DM 576-02a	Stop lamp switch (R. VI).	1
D 575-11	<i>Thrust spring for blade of rear direction indicator light (R. VI). Until July 1960. No longer supplied.</i>	2	DS 575-92e	Cowl, right-hand, for rear direction indicator light, short metallic. Since February 1958.	1	483-S 30	Screw, hex. head, 7 diameter 15 long securing rear lamp (R. III).	4
DS 575-15b	Housing, short, (metallic) for rear direction indicator light, left-hand. Since February 1958. <i>Replaces long housing, order in addition: 1-DS 575-92d, 1-DS 575-68a, 1-DS 854-94b, 1-DM 821-104b.</i>	1	2.652-S	Screw, P.K. 5 diameter 15 long securing front direction indicator light (R. VI).	4	706.604	Bulb, 12 volts, 15 watts, for stop lamp (R. VI).	2
DS 575-15c	Housing, short, (metallic) for rear direction indicator light, right-hand. Since February 1958. <i>Replaces long housing, order in addition: 1-DS 575-92e, 1-DS 575-69a, 1-DS 854-94c, 1-DM 821-104c.</i>	1	2.668-S	Screw, P.K. round head 3.5 diameter 10 long, securing rear direction indicator light, long (R. VI).	4	706.609	Bulb, 12 volts, 4 watts, for rear lamp (R. VI).	6
DS 575-28b	Reflector with orange glass and support for rear direction indicator lamp (R. VI).	2	2.746-S	Screw, P.K. round head cruciform slot 4.85 x 16 securing rear direction indicator light, short (R. VI).	2	706.620	Bulb, 6 volts, 4 watts, for rear lamp (R. VI). Until September 1960. REAR LIGHT-STOP LIGHT PARKING LIGHTS Since August 1961	8
DS 575-68	Plate securing direction indicator, right-hand, on rear boot hinge, 65 mm long. September 1956 - February 1958.	1	615.710	Nut clips for 5 diameter screw, securing front direction indicator light (R. VI).	4	GERMANY Until March 1964		
DS 575-68a	Plate securing direction indicator, right-hand, on rear boot hinge. 50 mm long. Since February 1958.	1	615.712	Nut clips for 4.85 diameter screw, securing rear direction indicator light, short (R. VI).	2	DW 544-02b	Seima rear light (without bulb) for lighting number plate, red light and parking light (R. VI).	2
DS 575-69	Plate securing direction indicator, left-hand, on rear boot hinge, 65 mm long September 1956 - February 1958.	1	706.570	Bulb, 6 volts 15 watts for front and rear direction indicator lamps (R. VI). Until September 1960.	4	DM 544-4	Cover for rear light (without support) (R. VI).	2
			706.604	Bulb, 12 volts, 15 watts for front and rear direction indicator lamps (R. VI).	4	<u>DS 544-23</u>	Sealing joint for rear light cover (R. VI).	2
			706.616	Bulb, 6 volts, 1.5 watts for parking light (R. VI). Until September 1960.	2	DS 576-02a	Stop lamp switch (R. VI). L.H. steering. Until November 1964.	1
						<u>DS 576-02b</u>	Stop lamp switch (R. VI). R.H. steering, L.H. steering. Since November 1964.	1
						DS 576-84	Grub screw, 5 diameter x 40 long, for adjustment of stop lamp switch.	1
						483-S 30	Screw, hex. head, 7 diameter x 15 long, securing rear lamp (R.III).	4
						706.604	Bulb, 12 volts, 15 watts for stop lamp (R. VI).	2

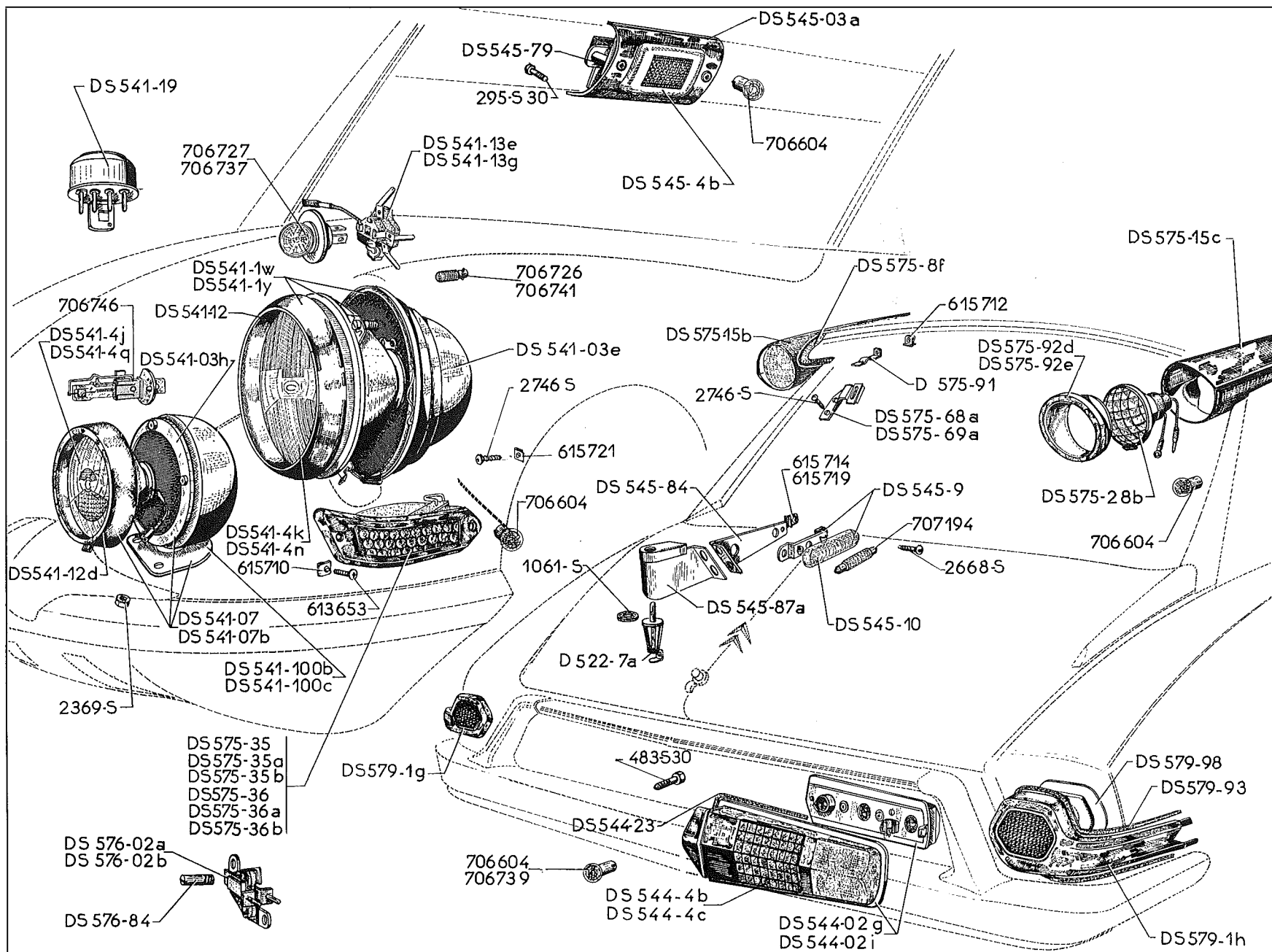
HEAD LAMPS-LIGHTING-DIRECTION INDICATOR LIGHTS-REAR LIGHT-STOP LIGHTS-287

NUMBER	DESCRIPTION	No. OFF	NUMBER	DESCRIPTION	No. OFF	NUMBER	DESCRIPTION	No. OFF
	INTERIOR LIGHTING AND BOOT LIGHTING							
D 522-7a	Switch on right and left-hand front door pillar for interior and rear boot lighting (R. VI).	3	DS 545-92	Clip, for lower fixing of tubular light (R. VI). Until September 1964.	2	D 575-1a	<i>Axo lamp (white), for front direction indicator, right-hand, without bulb (R. VI). Until September 1964. Replaced by DS 575-1g.</i>	1
DM 522-7a	Switch on left-hand front door pillar for interior light, length of plunger 27 mm (R. VI). September 1958 - April 1959.	1	<u>DS 545-92a</u>	Plate for lower fixing of tubular light (R. VI). Since September 1964.	2	<u>DS 575-1f</u>	Axo lamp (white) for front direction indicator, left-hand, without bulb (R. VI). Since September 1964.	1
DS 545-3	Plate carrying rear interior lamp (R. VI).	2	DS 545-93	Clip for upper fixing of tubular light (R. VI).	2	<u>DS 575-1g</u>	Axo lamp (white) for front direction indicator, right-hand, without bulb (R. VI). Since September 1964.	1
DS 545-4a	Glass for rear interior lamp (R. VI).	2	DS 545-94	Tubular interior lamp with lining (beige), on centre pillar (R. VI). Until November 1963.	2	DS 575-1j	Axo lamp (orange and white) for front direction indicator, left hand, without bulb (R. VI). ITALY. Since July 1961.	1
DS 545-5	Tubular interior light (grey) with lining on centre pillar (R. VI). Until September 1964.	2	1.061-S	Grommet, rubber 8 x 18 x 4 for housings and rear boot light (R. III).	2	DS 575-1k	Axo lamp (orange and white) for front direction indicator, right-hand without bulb (R. VI). ITALY. Since July 1961.	1
DS 545-5a	<i>Tubular interior light (grey) with lining on centre pillar (safety belt assembly)(R. VI). Until September 1964. Replaced by DS 545-5c.</i>	2	2.511-S	Screw, raised head, countersunk, 3.5 x 25.4 (cruciform slot) securing tubular light and linings on centre pillar (safety belt assembly)(R. VI).	4	DS 575-1p	Axo lamp (orange) for front direction indicator, left-hand, without bulb (R. VI), GERMANY. Since July 1961.	1
<u>DS 545-5b</u>	Tubular interior light, with lining, on centre pillar (R. VI). Since September 1964	2	2.668-S	Screw, round head 3.5 x 10 (R. VI) securing: - centre and rear plate. - light supports and rear boot switch	8 3	DS 575-1q	Axo lamp (orange) for front direction indicator, right hand, without bulb (R. VI). GERMANY. Since July 1961.	1
<u>DS 545-5c</u>	Tubular interior light, with lining, on centre pillar (arrangement with safety harness) (R. VI). Since September 1964.	2	615.714	Nut clips for 3.5 diameter screws securing rear boot lighting (R. VI).	2	DS 575-1r	Seima front direction indicator light (white) left-hand (R. VI). Since March 1963.	1
DS 545-6	Plate carrying bulb for tubular interior light on centre pillar, left-hand (R. VI).	1	615.715	Nut clips for 3.5 diameter screws securing rear boot lighting (R. VI).	2	DS 575-1s	Seima front direction indicator light (white) right-hand (R. VI). Since March 1963.	1
DS 545-6a	Plate carrying bulb for tubular interior light on centre pillar, right hand (R. VI).	1	706.717	Bulb, 12 volts, 7 watts, 2 contacts (R. VI), centre and rear interior lights. Since September 1960. - centre and rear interior lights.	4	DS 575-2	Seima rear direction indicator lamp (plastic), short, left-hand (R. VI). Until January 1959.	1
DS 545-7b	Housing on tubular interior light, on centre pillar, right and left-hand (R. VI).	2	707.193	Bulb, 6 volts, 4 watts, 2 contacts (R. VI): - centre and rear interior lights. - rear boot light.	4 1	DS 575-2a	<i>Seima rear direction indicator lamp (plastic), short, right-hand (R. VI). Until January 1959. Replaced by DS 575-6a; order in addition: 1-DS 575-28b.</i>	1
DS 545-8	Plate securing housings (R. VI).	2	707.194	Bulb, 12 volts, 4 watts for rear boot light (R. VI). Since September 1960.	1	DS 575-6	Seima rear direction indicator housing (plastic) short, left-hand (R. VI). Until January 1959.	1
DS 545-9	Lamp for rear boot (without bulb)(R. VI)	1		DIRECTION INDICATOR LIGHTS PARKING LIGHTS				
DS 545-10	Transparent cover for rear boot lamp (R. VI).	1	D 544-04a	Parking lamp without bulb (R. VI). Until August 1961.	2			
DS 545-84	Support for rear boot lamp.	1	D 575-1	<i>Axo lamp (white), for front direction indicator, left-hand, without bulb (R. VI). Until September 1964. Replaced by DS 575-1f.</i>	1			
DS 545-87	<i>Support for rear boot lamp switch. Replaced by DS 545-87a.</i>	1						
DS 545-87a	Support for rear boot lamp switch. Export. Since July 1963.	1						

The numbers underlined indicate new parts which do not appear on the illustration.

Catalogue No. 466 - March 1966.

LIGHTING—DIRECTION INDICATORS—REAR LIGHTS—STOP LIGHT—PALLAS—291B



291A—HEADLAMPS—LIGHTING—DIRECTION INDICATORS—REAR LIGHT—STOP LIGHT—PALLAS

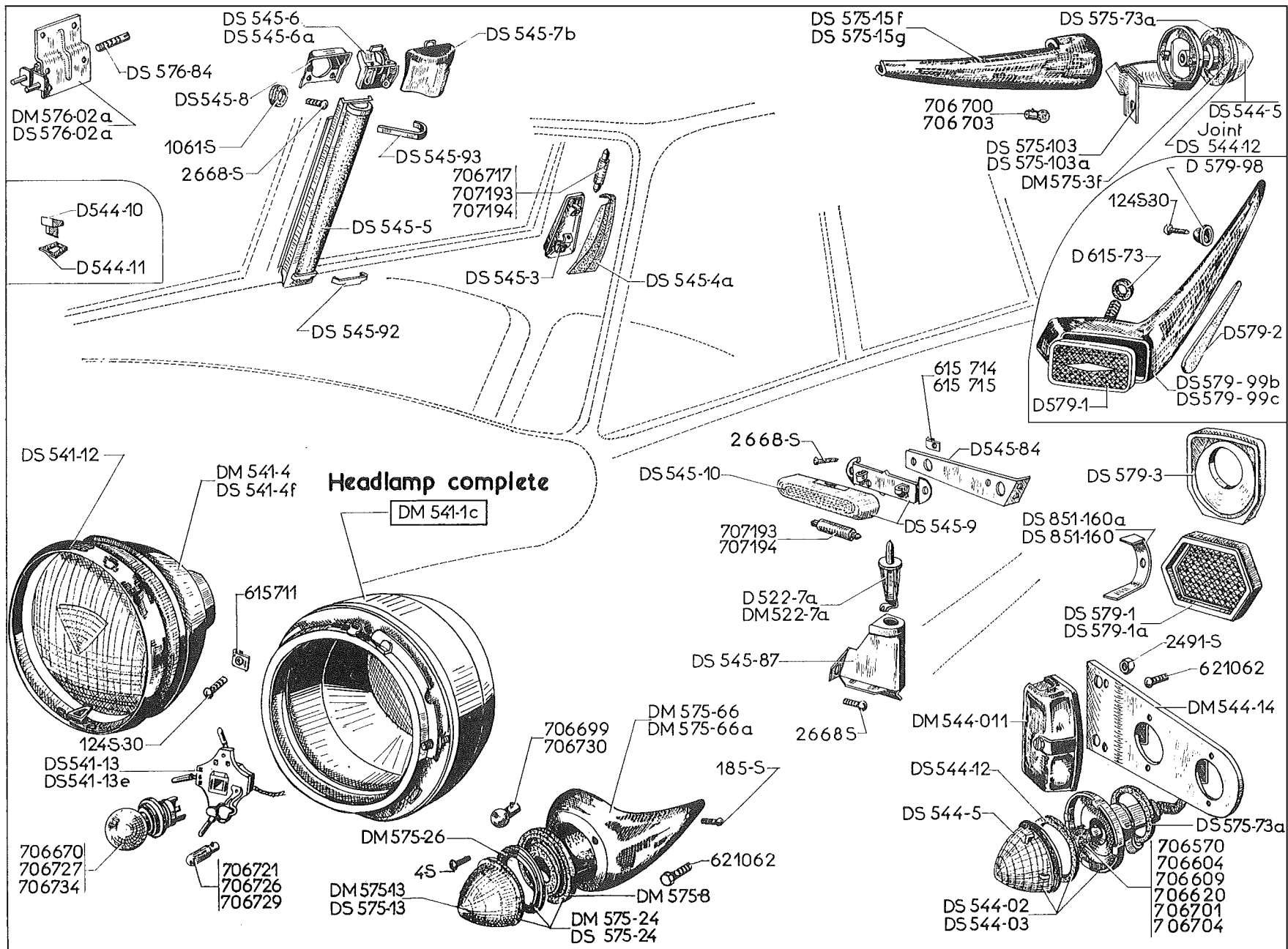
Make of Headlamp	External diameter of Headlamp	Shape of Glass	Diameter of Glass	Number of Headlamp	Number of Glass	Number of Rim	Remarks
CIBIE	226	Convex	183	DS 541-1W	DS 541-4k (optic assembly)	DS 541-12	European Standard.
CIBIE	226	Convex	183	DS 541-1y	DS 541-4n (optic assembly)	DS 541-12	European Standard. GERMANY.
CIBIE	168	Convex	151	DS 541-07	DS 541-4j (optic assembly)	DS 541-12d	IODINE QUARTZ.
CIBIE	168	Convex	151	DS 541-07b	DS 541-4q (optic assembly)	DS 541-12d	IODINE QUARTZ. GERMANY.

NUMBER	DESCRIPTION	No. OFF	NUMBER	DESCRIPTION	No. OFF	NUMBER	DESCRIPTION	No. OFF
DS 541-03e	Support for optical assembly, Cibie (R. VI).	2	615.721	Nut clips for screws securing headlamps (R. VI).	12	DS 545-03a	Interior lighting, rear, complete, without bulb (R. VI).	2
DS 541-03h	Support for headlamp optical assembly, iodine quartz (R. VI).	2	621.077	Screw, hex. head, 4 x 10, for securing the relays for the quartz iodine headlamp (R. VI).	4	DS 545-4b	Glass for interior rear light (R. VI).	2
DS 541-13e	Connector for Cibie headlamp (R. VI).	2	706.726	Bulb, 12 volts, 4 watts (R. VI). EXCEPT GERMANY.	2	DS 545-9	Boot lighting, without bulb (R. VI).	1
DS 541-13g	Connector for Cibie headlamp (R. VI). GERMANY.	2	706.727	Bulb, 12 volts, 45/40 watts (yellow) for headlamps (R. VI).	2	DS 545-10	Transparent casing for boot light, rear, (R. VI).	1
DS 541-17	Joint, rubber, 48 x 86 x 1, 3 holes 6 mm diameter, for sealing between front wing and quartz iodine headlamp (R. VI). Since May 1965.	2	706.737	Bulb, 12 volts, 45/40 watts (white) for headlamps (R. VI). R. H. steering and GERMANY.	2	DS 545-79	Support for glass for interior lighting, rear, (R. VI).	2
DS 541-19	Sanor relay, 12 volts, for iodine quartz headlamp (R. VI).	2	706.741	Bulb, 12 volts, 4 watts, for headlamps (R. VI). GERMANY.	2	DS 545-84	Support for boot lighting.	1
DS 541-100b	Reinforcing plate, with screws, for securing iodine quartz lamp on front wing (R. VI).	2	706.746	Bulb, 12 volts, iodine vapour (R. VI).	2	DS 545-87a	Support for switch for boot lighting.	1
DS 541-100c	Counterplate for securing iodine quartz lamp on front wing (R. VI).	2				295-S 30	Screw, hex. head, 5 x 16, for securing rear lighting (R. III).	4
2.369-S	Nut, hex., 6 x 100, for securing iodine quartz lamp on wing (R. III).	6				1.061-S	Rubber grommet 8 x 18 x 4 for boot lighting (R. III).	1
2.746-S	Screw, round head, 4.85 x 16, for securing headlamps (R. VI).	12				2.668-S	Screw, round head, 3.5 x 10 for securing lighting supports and switch for boot lighting.	5
				INTERIOR AND BOOT LIGHTING				
			D 522-7a	Switch at base of front door right and left interior lighting and boot (R. VI).	3			

HEADLAMPS—LIGHTING—DIRECTION INDICATORS—REAR LIGHT—STOP LIGHT—PALLAS—291D

NUMBER	DESCRIPTION	No. OFF	NUMBER	DESCRIPTION	No. OFF	NUMBER	DESCRIPTION	No. OFF
615.714	Nut, clips, for 3.5 screws securing boot lighting (R. VI).	2	DS 575-68a	Clip for securing front right-hand indicator on boot hinge 50 mm long.	1	DS 544-02i	Seima rear lamp, without bulb, for lighting number plate, red lamp and parking light (R. VI). GERMANY.	2
615.719	Nut, clips, for 3.5 screws securing boot lighting (R. VI).	2	DS 575-69a	Clip for securing front left-hand indicator on boot hinge 50 mm long.	1	DS 544-4b	Cover for rear light, without support (R. VI).	2
706.604	Bulb, 12 volts, 15 watts, for rear interior lighting (R. VI).	2	D 575-91	Spring securing reflector for rear indicator (R. VI).	2	DS 544-4c	Cover for rear light, without support (R. VI). GERMANY.	2
707.194	Bulb, 12 volts, 4 watts, for boot lighting, rear (R. VI).	1	DS 575-92d	Rim, left-hand, for rear indicator, metal (R. VI):	1	DS 544-23	Sealing joint for rear light cover (R. VI).	2
	DIRECTION INDICATOR LIGHTS		DS 575-92e	Rim, right-hand, for rear indicator, metal (R. VI).	1	DS 576-02a	Stop light switch (R. VI). L.H. steering. Until November 1964.	1
DS 575-8f	Rubber sealing joint, shaped, for rear right and left-hand direction indicators.	2	2.746-S	Screw, Parker, round head, cruciform slot, 4.85 x 16, for rear traffic indicators (R. VI).	2	DS 576-02b	Stop light switch (R. VI). R.H. steering. L.H. steering. Since November 1964.	1
DS 575-15b	Casing, short (metal), for rear left-hand direction indicator.	1	613.653	Screw, raised head countersunk, 5 x 15, for securing front indicator (R. VI).	4	DS 576-84	Grub screw 5 x 40, for adjusting stop light switch.	1
DS 575-15c	Casing, short (metal), for rear right-hand direction indicator.	1	615.710	Nut clips for screws, 5, for securing front indicator (R. VI).	4	483-S 30	Screw, hex. head, 7 x 15, securing rear light (R. III).	4
DS 575-28b	Reflector with orange glass and support for rear indicator bulb (R. VI).	2	615.712	Nut clips for 4.85 screws, for securing rear indicator (R. VI).	2	706.604	Bulb, 12 volts, 15 watts, for stop light (R. VI).	2
DS 575-35	Axo (white) front left-hand indicator light, without bulb (R. VI).	1	706.604	Bulb (balloon), 12 volts, 15 watts, for traffic indicators, front and rear (R. VI).	4	706.739	Bulb, 12 volts, 5 watts, for number plate light, red light and parking light.	6
DS 575-35a	Axo (orange and white) front left-hand indicator light, without bulb (R. VI). ITALY.	1		REAR LIGHT STOP LIGHT PARKING LIGHT			REFLECTOR	
DS 575-35b	Axo (orange) front left-hand indicator light, without bulb, (R. VI). GERMANY.	1				DS 579-1g	Seima, rear left-hand reflector with bracket (R. VI).	1
DS 575-36	Axo (white) front right-hand indicator light, without bulb (R. VI).	1				DS 579-1h	Seima, rear right-hand reflector with bracket (R. VI).	1
DS 575-36a	Axo (orange and white) front right-hand indicator light, without bulb (R. VI). ITALY.	1				DS 579-93	Shaped surround for reflector, 1 m long (R. VI).	As nec.
DS 575-36b	Axo (orange) front right-hand indicator light, without bulb (R. VI). GERMANY.	1	DS 544-02g	Seima rear lamp, without bulb, for lighting number plate, red light and parking (R. VI).	2	DS 579-98	Counterplate for securing reflector, rear, (R. VI).	2

HEADLAMPS-LIGHTING-DIRECTION INDICATOR LIGHTS-REAR LIGHT-STOP LIGHT-(U.S.A.)-297



292-HEADLAMPS-LIGHTING-DIRECTION INDICATOR LIGHTS-REAR LIGHT-STOP LIGHT -(U.S.A.)

MAKE OF HEADLAMP	EXTERNAL DIAMETER OF HEADLAMP	SHAPE OF GLASS	DIAMETER OF GLASS	NUMBER OF HEADLAMP	NUMBER OF GLASS	NUMBER OF RIM	REMARKS
CIBIE	226	Convex	183	DM 541-1c (R. VI)	DM 541-4 (R. VI)	DS 541-12 (R. VI)	Headlamp without optic for U. S. A. Until April 1961.
CIBIE	226	Convex	183	(without optic) DM 541-1c (R. VI)	(optic assembly) DS 541-4f (R. VI)	DS 541-12 (R. VI)	European standard. Headlamp fitted without optic for U.S. A. Since April 1961.
CIBIE	168	Convex	151	(without optic) <u>DS 541-07</u>	(optic assembly) <u>DS 541-4j</u>	<u>DS 541-12d</u>	IODINE QUARTZ. PALLAS.

NUMBER	DESCRIPTION	No. OFF	NUMBER	DESCRIPTION	No. OFF	NUMBER	DESCRIPTION	No. OFF
<u>DS 541-03h</u>	Bracket for optic assembly of Cibie quartz iodine headlamp (R. VI).	2	706.721	Bulb, 6 volts, 4 watts, 2 contacts for headlamps (R. VI). Until September 1960.	2	DS 545-4a	Glass for rear interior light (R. VI).	2
DS 541-13	Bulb holder for "Cibie" headlamp (R. VI). Until April 1961.	2	706.726	Bulb, 12 volts, 4 watts, for headlamps.(European Standard) (R. VI). Since April 1961.	2	DS 545-5	Interior light tube with lining, on centre pillar (R. VI). Until September 1964.	2
DS 541-13e	Connector for "Cibie" headlamp. (European Standard) (R. VI). Since April 1961.	2	706.727	Bulb, 12 volts, 45/50 watts, for headlamps.(European Standard) (R. VI). Since April 1961.	2	<u>DS 545-5b</u>	Interior light tube with lining, on centre pillar (R. VI). Since September 1964.	2
<u>DS 541-19</u>	Sanor relay, 12 volts, for quartz iodine headlamp (R. VI).	2	706.729	Bulb, 12 volts, 4 watts, 2 contacts for headlamps (R. VI). September 1960 - April 1961.	2	<u>DS 545-5c</u>	Interior light tube with lining, on centre pillar (arrangement with safety belts) (R. VI). Since September 1964.	2
<u>DS 541-100b</u>	Counterplate reinforcement with screws for securing quartz iodine headlamp on front wing (R. VI).	2	706.734	Bulb, 12 volts, 45 watts, for headlamps (R. VI). September 1960 - April 1961.	2	DS 545-6	Support plate for bulb of tubular light on centre pillar, left-hand (R. VI).	1
<u>DS 541-100c</u>	Counterplate for securing quartz iodine headlamp on front wing (R. VI).	2	<u>706.746</u>	Bulb, 12 volts, iodine vapour (R. VI).	2	DS 545-6a	Support plate for bulb of tubular light on centre pillar, right-hand (R. VI).	1
D 544-10	Tell-tale, red, for headlamp lighting on front wing (R. VI). Until September 1962.	2	INTERIOR LIGHTING AND BOOT LIGHTING			DS 545-7b	Housing for tubular lighting on centre pillar, right and left-hand (R. VI).	1
D 544-11	Joint sealing tell-tale on front wing (R. VI). Until September 1962.	2	D 522-7a	Switch on front door pillar, right and left-hand for interior lighting and boot lighting (R. VI).	3	DS 545-8	Clip securing housings (R. VI).	2
124-S 30	Screw, round head, pointed, 5 diameter x 12.5 long, securing headlamps on wing (R. III).	12	DM 522-7a	Switch on front door pillar, left-hand for interior lighting, length of plunger 27 mm (R. VI). September 1958 - April 1959.	1	DS 545-9	Lamp for boot (without bulb) (R. VI).	1
<u>2.369-S</u>	Nut, hex., 6 x 100, for securing quartz iodine headlamp on wing (R. III).	6	DS 545-3	Support plate for rear interior lamp (R. VI).	2	DS 545-10	Cover, transparent, for boot light (R. VI).	1
615.711	Nut clips for 5 diameter screws securing headlamps (R. VI).	12				DS 545-84	Support for boot light.	1
706.670	Bulb, 6 volts, 36/45 watts, for headlamps (R. VI). Until September 1960.	2				DS 545-87	<i>Support for switch for boot. Replaced by DS 545-87a.</i>	1

HEADLAMPS-LIGHTING-DIRECTION INDICATOR LIGHTS-REAR LIGHT-STOP LIGHT -(U.S.A.)-295

NUMBER	DESCRIPTION	No. OFF	NUMBER	DESCRIPTION	No. OFF	NUMBER	DESCRIPTION	No. OFF
<u>DS 545-87a</u>	Bracket for boot light switch.	1	DM 575-3f	Direction indicator light, rear right and left-hand with lead (without bulb).	2	DS 575-73a	Joint, round, rubber for rear direction indicator light, right and left-hand (R. VI).	2
DS 545-92	Plate for lower fixing of light tube (R. VI). Until September 1964.	2	DM 575-8	Joint, rubber, for front direction indicator light (R. VI).	2	<u>DM 575-100a</u>	Housing for flasher, 12 volts, Klaxon for direction indicators (R. VI).	1
<u>DS 545-92a</u>	Plate for lower fixing of light tube (R. VI). Since September 1964.	2	DM 575-13	Glass, white, for front direction indicator light (R. VI).	2	DS 575-103	Support securing rear direction indicator light, left-hand.	1
DS 545-93	Plate for upper fixing of light tube (R. VI).	2	DS 575-13	Glass, amber, for front direction indicator light. Scintex (R. VI). Since September 1963.	2	DS 575-103a	Support securing rear direction indicator light, right-hand.	1
1.061-S	Grommet, rubber, 8 x 18 x 4, for housings and boot light (R. III).	2	DS 575-15f	Housing, short, for rear direction indicator light, left-hand.	1	4-S	Screw, round head, 3 diameter x 12 long, securing front direction indicator lights (R. III).	6
2.668-S	Screw, round head, 3.5 x 10 (R. VI) securing: - centre and rear plate. - light supports and boot switch.	8 3	DS 575-15g	Housing, short, for rear direction indicator light, right-hand.	1	185-S	Screw, raised head countersunk, 5 diameter x 15 long, for rear fixing of front direction indicator housings (R. III).	2
615.714	Nut clips for 3.5 diameter screws, securing rear boot light (R. VI).	2	DM 575-24	<i>Direction indicator lamp, front, white (without bulb) (R. VI). Until September 1964. Replaced by DM 575-24a.</i>	2	621.062	Screw, hex. head, 5 diameter x 14 long, for front fixing of front direction indicators (R. III).	4
615.715	Nut clips for 3.5 diameter screws, securing boot light (R. VI).	2	<u>DM 575-24a</u>	Front indicator light, Scintex, white, without bulb (R. VI). Since September 1964.	2	706.699	<i>Bulb, 6 volts, 20.4 watts, for front direction indicators (R. VI). Until December 1959. No longer supplied.</i>	2
706.717	Bulb, 12 volts, 7 watts, for centre and rear interior lights (R. VI).	4	DS 575-24	Direction indicator lamp, front, Scintex, amber (R. VI). Since September 1963.	2	706.700	<i>Bulb, 6 volts, 25 watts, for rear direction indicator lights (R. VI). Until December 1959. No longer supplied.</i>	2
707.193	Bulb, 6 volts, 4 watts, 2 contacts (R. VI): - for centre and rear interior lighting. - for boot lighting. Until December 1959.	4 1	DM 575-26	Collar for front direction indicator light (R. VI).	2	706.703	Bulb, 12 volts, for rear direction indicator lights (R. VI). Since December 1959.	2
707.194	Bulb, 12 volts, 4 watts, 2 contacts for boot lighting (R. VI). Since December 1959.	1	DM 575-66	Housing for front direction indicator light, left-hand.	1	706.730	Bulb, 12 volts, for front direction indicator lights (R. VI). Since December 1959.	2
INTERIOR LIGHTING PALLAS SPECIAL PARTS			DM 575-66a	Housing for front direction indicator light, right-hand.	1	REAR LAMP-STOP LAMP "LUCAS" Until November 1964		
DS 545-03a	Interior lighting, rear, complete, without bulb (R. VI).	2	<u>DS 575-66</u>	Housing for front direction indicator light, left-hand (R. VI). PALLAS.	1	DS 544-02	Rear light, red with lead (without bulb).	2
DS 545-4b	Glass for rear interior lighting (R. VI).	2	<u>DS 575-66a</u>	Housing for front indicator light, right-hand (R. VI). PALLAS.	1			
DS 545-79	Support for glass for rear interior lighting (R. VI).	2						
706.604	Bulb, 12 volts, 15 watts, for interior rear lighting (R. VI).	2						
DIRECTION INDICATORS FRONT AND REAR "LUCAS"								
DS 544-5	Glass, red for rear direction indicator lights (R. VI).	2						
DS 544-12	Joint, foam rubber for internal sealing of rear indicator lights (R. VI).	4						

The numbers underlined indicate new parts which do not appear on the illustration.

Catalogue No. 466 - March 1966.

296-HEADLAMPS-LIGHTING-DIRECTION INDICATOR LIGHTS-REAR LIGHT-STOP LIGHT-(U.S.A.)

NUMBER	DESCRIPTION	No. OFF	NUMBER	DESCRIPTION	No. OFF	NUMBER	DESCRIPTION	No. OFF
DS 544-03	Rear stop light, red with lead (without bulb).	2	706.704	Bulb, 12 volts, 3 watts, for rear number plate illumination light (R. VI). Since December 1959.	2	DS 579-99c	Bracket for reflector, right-hand side.	1
DM 544-011	<i>Rear registration number plate illumination lamp (without bulb) (R. VI). Replaced by DS 544-08.</i>	2	REAR LAMP-STOP LAMP "LUCAS" Since November 1964			D 615-73	Washer, rubber, 5 x 14 x 2 for screw securing reflector.	2
DS 544-5	Glass, red for rear lights (R. VI).	4	<u>DS 544-07c</u>	Rear light, red, with lead (without bulb).	2	124-S 30	Screw, round head, 5 x 12.5 for securing bracket for reflector (R. III).	4
DS 544-12	Joint, foam rubber for interior sealing of rear lights (R. VI).	4	<u>DS 544-08</u>	Rear registration plate illumination lamp (without bulb) (R. VI).	2	Since July 1959		
DM 544-14	<i>Plate securing rear stop lights and registration number plate light (R. VI). Replaced by DS 544-4.</i>	2	<u>DM 544-14</u>	Plate securing rear lights, stop lights and registration number plate lights (R. VI).	2	DS 579-1	Reflector, rear, located in rear wing (R. VI). Since November 1961.	2
DM 576-02a	Switch for stop lamp (R. VI). Until August 1961.	1	<u>DS 576-02b</u>	Stop light switch (R. VI).	1	DS 579-1a	<i>Reflector, round, rear, on support enclosed in rear wing (R. VI). Until November 1961. Replaced by DS 579-1; order in addition: 1-DS 851-160.</i>	2
DS 576-02a	Switch for stop lamp (R. VI). Since August 1962.	1	<u>DS 576-2</u>	Rear stop light, red, with lead (without bulb).	2	DS 579-3	Joint (support) for round reflector in wing (R. VI). Until November 1961.	2
DS 576-84	Grub screw, 5 diameter x 40 long, for stop lamp adjustment. Since August 1961.	1	DS 576-84	Grub screw, 5 x 40, for adjusting stop light switch.	1	DS 851-160	Clamp securing reflector on rear wing. Since November 1961.	2
2.491-S	Nut, hex., 7 diameter x 100 pitch, securing rear light (R. III).	2	2.319-S	Nut, hex., 5 x 75, for screws securing lights (R. III).	4	DS 851-160a	Clamp securing round reflector on support. Until November 1961.	2
621.062	Screw, hex. head, 5 diameter x 14 long, securing rear lights on plate (R. III).	8	2.334-S	Washer, shakeproof, 5.2 x 9.4, under the nuts securing lamps (R. VI).	4	REFLECTOR PALLAS		
706.570	Bulb, 6 volts, 15 watts, for rear stop lights (R. VI). Until December 1959.	2	621.062	Screw, hex. head, 5 x 14, securing rear lights on plate (R. III).	4	DS 579-1g	Reflector Seima, rear left-hand (R. VI).	1
706.604	Bulb, 12 volts, 15 watts, for rear stop lights (R. VI). Since December 1959.	2	<u>706.744</u>	Bulb, 12 volts (R. VI) for: - red rear lights. - rear lamp.	2 4	DS 579-1h	Reflector Seima, rear right-hand (R. VI).	1
706.609	Bulb, 12 volts, 4 watts, for rear lights (R. VI). Since December 1959.	2	<u>706.745</u>	Bulb, 12 volts, for red rear stop light (R. VI).	2	DS 579-93	Shaped surround for reflector, 1 m long (R. VI).	As nec.
706.620	Bulb, 6 volts, 4 watts, for rear lights (R. VI). Until December 1959.	2	D 579-1	Reflector, rear (R. VI).	2	DS 579-98	Counterplate for securing rear reflector.	2
706.701	Bulb, 6 volts, 2.7 watts, for rear number plate illumination light (R. VI). Until December 1959.	2	D 579-2	Reflector (paper) side rear (R. VI). Until November 1957.	2			
			D 579-98	Cup for screw securing front reflector bracket.	2			
			DS 579-99b	Bracket for reflector, left-hand side.	1			

298—SUN VISOR—REAR VIEW MIRROR—PALLAS

NUMBER	DESCRIPTION	No. OFF	NUMBER	DESCRIPTION	No. OFF	NUMBER	DESCRIPTION	No. OFF
	SUN VISOR						REAR VIEW MIRROR	
DS 554-83b	Hinge pin for sun visor.	2	D 554-96	Friction sleeve on hinge pin (R. VI).	2	DW 551-92	Buffer (rubber) 5 mm thick for support (R. VI).	1
DS 554-86	Plug, rubber, grey (R. VI).	2	D 554-91	Friction bearing, 18 mm long, on hinge pin (R. VI).	4	DW 551-92a	Buffer (rubber) 10 mm thick for support (R. VI).	1
DS 554-1b	Panel, without mirror: - left-hand. L.H. steering.	1	DS 554-01p	Sun visor, left-hand, complete without mirror. L.H. steering.	1	DW 551-92b	Buffer (rubber) 15 mm thick for support (R. VI).	1
	- right-hand. R.H. steering.	1	DS 554-01q	Sun visor, right-hand, complete with mirror. L.H. steering.	1	2.491-S	Nut, hex., 7 x 100 securing support. (R. III).	1
DS 554-1d	Panel for sun visor, with mirror, right-hand, L.H. steering.	1	DS 554-01t	Sun visor, left-hand, complete with mirror. R.H. steering.	1	DW 551-3b	Rear view mirror, complete (R. VI).	1
DS 554-1f	Panel for sun visor, with mirror, left-hand, R.H. steering.	1	DS 554-01u	Sun visor, right-hand, complete without mirror. R.H. steering.	1	88.613	Washer, flat, 7.5 x 30 x 2.4 for nut securing support (R. III).	1
2.494-S	Nut, hex., castellated, 7 x 100, for tightening hinge pin on bracket (R. III).	2	619.037	Washer, 7.5 x 21 x 0.5 for hinge pin friction sleeve on support (R. III).	4	DW 551-2a	Support for rear view mirror (R. VI).	1
615.713	Nut clip for 4.85 diameter screw, securing sun visor (R. VI).	6	619.056	Washer, 7.5 x 21 x 0.8, for hinge pin on support (R. VI).	2			
			DS 554-97b	Support only, left-hand.	1			
			DS 554-97c	Support only, right-hand.	1			
			613.658	Screw, raised head countersunk, 4.85 x 25.4 (head enamelled black) for securing sun visor (R. VI).	6			

SUN VISOR—REAR VIEW MIRROR (EXCEPT PALLAS)—299

NUMBER	DESCRIPTION	No. OFF	NUMBER	DESCRIPTION	No. OFF	NUMBER	DESCRIPTION	No. OFF
	SUN VISOR						REAR VIEW MIRROR	
DS 554-83	<i>Hinge pin, not threaded. Until November 1963. Replaced by DS 554-83b.</i>	2	DS 554-01	<i>Sun visor complete, left-hand (grey). Until November 1963. Replaced by DS 554-01h.</i>	1		Note - - The parts not mentioned in the text below are no longer supplied.	
DS 554-83b	Hinge pin for sun visor. Since November 1963.	2	DS 554-01d	<i>Sun visor complete, left-hand, (beige). Until November 1963. No longer supplied.</i>	1	DW 551-92	Buffer (rubber), 5 mm thick for support. Since December 1961.	1
D 554-90	Plug, rubber (grey) (R. VI).	2	DS 554-01i	<i>Sun visor complete, with mirror, right-hand (grey). Until November 1963. Replaced by DS 554-01j.</i>	1	DW 551-92a	Buffer (rubber), 10 mm thick for support. Since December 1961.	1
D 554-90a	Plug, rubber (beige) (R. VI). Until November 1963.	2	DS 554-01k	<i>Sun visor complete, with mirror, right-hand (beige). Until November 1963. No longer supplied.</i>	1	DW 551-92b	Buffer (rubber), 15 mm thick for support (R. III). Since January 1964.	1
D 554-1	Panel, left-hand (grey) without mirror.	1	DS 554-01h	Sun visor complete, left-hand, without mirror, (grey). L. H. steering. Since November 1963.	1	2. 491-S	Nut, hex., 7 diameter x 100 pitch, securing support (R. III).	1
D 554-1a	Panel, left-hand (beige). Until November 1963.	1	DS 554-01j	Sun visor complete, right-hand, with mirror (grey). L. H. steering. Since November 1963.	1	D 551-3	Rear view mirror complete (R. VI). Until August 1961.	1
DS 554-1a	Panel for sunvisor, with mirror, right-hand (grey). L. H. steering.	1	DS 554-01s	Sun visor complete, right-hand, without mirror (grey). R. H. steering. Since November 1963.	1	DW 551-3b	Rear view mirror complete (R. VI). Since August 1961.	1
DS 554-1c	Panel for sun visor, with mirror, right-hand (beige). Until November 1963.	1	DS 554-01r	Sun visor complete, left-hand, with mirror (grey). R. H. steering. Since November 1963.	1	88. 613	Washer, plain, 7.5 x 30 x 2.4, for nut securing support (R. III).	1
DS 554-1e	Panel for sun visor, with mirror, left-hand. R. H. steering. Since November 1963.	1	619.037	Washer, 7.5 x 21 x 0.5, for hinge pin friction on support (R. III).	4	D 551-2	Support for rear view mirror. Until August 1961.	1
2. 494-S	Nut, hex., castellated, 7 diameter x 100 pitch, for tightening hinge pin on bracket (R. III).	2	619.056	Washer, 7.5 x 21 x 0.8, for hinge pin on support (R. VI).	2	DW 551-2a	Support for rear view mirror (R. VI). Since August 1961.	1
615.713	Nut clip for 4.85 diameter screw, securing sun visor (R. VI).	6	DS 554-97	Support only, left-hand.	1			
D 554-96	Friction sleeve, on hinge pin (R. VI).	2	DS 554-97a	Support only, right-hand.	1			
D 554-91	Friction bearing, 18 mm long on hinge pin (R. VI).	4	2. 746-S	Screw, P. K. round head, 4.85 diameter, 16 long, securing sun visor (R. VI).	6			

300-WIRING

NUMBER	DESCRIPTION	No. OFF	NUMBER	DESCRIPTION	No. OFF	NUMBER	DESCRIPTION	No. OFF
	CABLES BY THE METRE (R.VI.)			BATTERY CABLES 12 volt arrangement PRESTIGE Since June 1959 U.S.A. Since December 1959 ALL TYPES Since September 1960				
3. 732	Single core cable, 2 mm thick.	As nec.				DS 511-6	Harness for headlamp and front direction indicator, with earth wire. Until February 1957.	2
3. 733	Single core cable, 1. 2 mm thick.	As nec.				DS 511-6a	Harness for headlamp and front direction indicator, with earth wire. February 1957 - June 1957.	2
921. 552	40 mm ² battery cable.	As nec.				DM 511-6	Harness for headlamp, front direction indicator and horn, left-hand. Since June 1957.	1
	BATTERY CABLES 6 volt arrangement U.S.A. Until December 1959 ALL TYPES Until September 1960		DM 511-8c	Cable from battery negative terminal to earth on water pump, 590 mm long. Until November 1963.	1	DM 511-6a	Harness for headlamp, front direction indicator and horn, right-hand. Since June 1957.	1
DS 511-5	<i>Cable from battery positive terminal to solenoid, 130 mm long, dimension taken between clip and terminal lug. Until July 1957. No longer supplied.</i>	1	DM 511-8d	Cable from battery negative terminal to earth on water pump, 480 mm long. November 1963 - March 1964.	1	DS 511-6b	Harness for headlamp and direction indicator, left-hand. U. S. A.	1
DM 511-8	<i>Cable from battery negative terminal to water pump, 450 mm long, dimension taken between clip and terminal lug. October 1957 - October 1958. No longer supplied.</i>	1	DM 511-8e	Cable from battery negative terminal to earth on water pump, 480 mm long. Since March 1964.	1	DS 511-6c	<i>Harness for headlamp and direction indicator, right-hand. U. S. A. No longer supplied.</i>	1
DS 511-8	<i>Cable from battery negative terminal to gearbox, 700 mm long, dimension taken between clip and terminal lug. Until October 1957. No longer supplied.</i>	1	DM 524-01c	Solenoid, Gelbon, 12 volts, for starter with positive cable (R. VI). Until September 1962.	1	DS 511-9	Harness, front, Until February 1957.	1
DS 511-17	<i>Cable from solenoid switch to starter motor, 830 mm long, dimension taken between terminal lugs. Until July 1957. No longer supplied.</i>	1	DS 524-01a	Solenoid, Gelbon, 12 volts, for starter with positive cable (R. VI). Since September 1962.	1	DS 511-9a	Harness, front. February 1957 - June 1957.	1
DM 511-8a	Cable, 20 mm from battery negative terminal to water pump, 450 mm long. Since October 1958.	1		WIRING HARNESS 6 volt arrangement U.S.A. Until December 1959 ALL TYPES Until September 1960		DS 511-9b	Harness, front (arrangement with horns on left side). June 1957 - September 1958.	1
DM 524-01a	Solenoid, Gelbon, 6 volts, for starter with positive cable (R. VI). Since July 1957.	1	DS 511-3	Harness, rear. Until July 1959.	1	DS 511-9c	Harness, front (arrangement with switch for interior light on front door, left-hand). September 1958 - July 1959.	1
			DS 511-3a	Harness, rear (arrangement with front harness for one coil). Since July 1959.	1	DS 511-9f	Harness, front (arrangement with one coil). Since July 1959.	1
						DS 511-19	Wiring from coil to distributor. Until July 1959.	1
						DM 511-63	Earth wire (headlamp and front direction indicator). Since June 1957.	1
						DF 511-19	Lead from coil to switch, 450 mm long. Since July 1959.	1

NUMBER	DESCRIPTION	No. OFF	NUMBER	DESCRIPTION	No. OFF	NUMBER	DESCRIPTION	No. OFF
	12 volt arrangement PRESTIGE June 1959-August 1961 ALL TYPES (Except U.S.A.) September 1960-August 1961		DM 511-25	Harness for headlamp, horn and front direction indicator, left-hand.	1	DS 511-6c	<i>Harness for headlamp and direction indicator, right-hand. Until September 1960. No longer supplied.</i>	1
DS 511-9h	Harness, front. PRESTIGE.	1	DM 511-25a	Harness for headlamp and front direction indicator, right-hand.	1	DS 511-9g	Harness, front. Until September 1960.	1
DS 511-23	Harness, front.	1	DS 511-29	Auxiliary harness, left-hand. PRESTIGE.	1	DM 511-6f	Harness for headlamp and front direction indicator, left-hand. Since September 1960.	1
DS 511-23b	Harness, front (rear heating and demisting). COLD CLIMATES. Since December 1960.	1	DS 511-29a	Auxiliary harness, right-hand. PRESTIGE.	1	DM 511-6g	Harness for headlamp and front direction indicator, right-hand. Since September 1960.	1
DS 511-23g	Harness, front. CABRIOLET.	1	DM 511-63	Earth wire (headlamp and front direction indicator). Until September 1962.	2	DS 511-23a	Harness, front. Since September 1960.	1
DM 511-24m	Harness, rear. CABRIOLET.	1	DF 511-19	Lead from coil to distributor, 450 mm long.	1	DM 511-63	Earth wire for headlamp and front direction indicator.	2
DS 511-24	Harness, rear.	1		12 volt arrangement U.S.A. December 1959-August 1961		DF 511-19	Lead from coil to distributor, 450 mm long.	1
DS 511-24a	Harness, rear (rear heating and demisting). COLD CLIMATES.	1	DS 511-3c	Harness, rear. <i>No longer supplied.</i>	1			
			DS 511-6b	Harness for headlamp and direction indicator, left-hand. Until September 1960.	1			

302-WIRING

NUMBER	DESCRIPTION	No. OFF	NUMBER	DESCRIPTION	No. OFF	NUMBER	DESCRIPTION	No. OFF
	ALL TYPES (Except U.S.A.) August 1961—September 1964						U.S.A. Since August 1961	
DS 511-23j	Front harness. PRESTIGE.	1	DW 511-24a	Harness, rear (heating and demisting rear). COLD CLIMATES.	1	DM 511-6f	Harness for headlamp and front direction indicator, left-hand side. Until September 1962.	1
DS 511-23m	Front harness (arrangement head-lamp flasher). R.H. steering. Since January 1964.	1	DM 511-25	Harness for headlamp, horn and front direction indicator, left-hand side. Until September 1962.	1	DM 511-6g	Harness for headlamp and front direction indicator, right-hand side. Until September 1962.	1
DW 511-23	Harness, front (arrangement 4 fuses). ALL TYPES (except Prestige). Until January 1964. COLD CLIMATES. Until November 1962.	1	DM 511-25a	Harness for headlamp and direction indicator, front, right-hand side. Until September 1962.	1	DW 511-23	Harness, front, arrangement 4 fuses. Until November 1962.	1
DW 511-23a	Harness, front (arrangement headlamp flasher). L.H. steering. COLD CLIMATES Since January 1964.	1	DS 511-25	Harness for headlamp, horn and front direction indicator, left-hand side. Since September 1962.	1	DS 511-44	Harness, front, arrangement 8 fuses. Since November 1962.	1
DW 511-23b	Front harness (arrangement headlamp flasher). L.H. steering. Except COLD CLIMATES. Since January 1964.	1	DS 511-25a	Harness for headlamp and direction indicator, front, right-hand side. Since September 1962.	1	DW 511-24	Harness, rear.	1
DS 511-44	Front harness (arrangement 4 fuses). COLD CLIMATES. November 1962 - January 1964.	1	DS 511-29b	Harness, auxiliary left-hand. PRESTIGE.	1	DW 511-24a	Harness, rear. COLD CLIMATES (heating and demisting rear).	1
DM 511-24m	Harness, rear. CABRIOLET.	1	DS 511-29c	Harness, auxiliary right-hand. PRESTIGE.	1	DS 511-25b	Harness for headlamp, horns and front direction indicator, left-hand side. Since September 1962.	1
DS 511-24g	Harness, rear. PRESTIGE.	1	DS 511-22	Harness from dynamo to regulator. Since December 1963.	1	DS 511-25c	Harness for headlamp and front direction indicator, right-hand side. Since September 1962.	1
DW 511-24	Harness, rear (except PRESTIGE).	1	DM 511-63	Earth cable (headlamp and front direction indicator). Until September 1962.	2	DS 511-22	Harness from dynamo to regulator. Since December 1963.	1
			DS 511-63a	Earth cable, headlamp and front direction indicator. Since September 1962.	2	DS 511-63a	Earth cable headlamp and front direction indicator.	2
			DF 511-19	Wire from plug to contact breaker, 450 mm long.	1	DF 511-19	Wire from coil to contact breaker, 450 mm long.	1

NUMBER	DESCRIPTION	No. OFF	NUMBER	DESCRIPTION	No. OFF	NUMBER	DESCRIPTION	No. OFF
	ALL TYPES (Except U.S.A.) Since September 1964							
DW 511-23i	Front harness. L. H. steering.	1	DS 511-24n	Rear harness. PALLAS.	1	DF 511-19	Wire from plug to contact breaker, 450 mm long.	1
DS 511-23q	Front harness. L. H. steering. PALLAS.	1	DS 511-24p	Rear harness. COLD CLIMATES. PALLAS.	1	DW 511-55	Harness for temperature gauge. Until November 1964.	1
DW 511-23j	Front harness. L. H. steering. GERMANY.	1	DS 511-25	Harness for headlamp, horn, and front direction indicator, left-hand.	1		U.S.A. Since September 1964	
DW 511-23g	Front harness. L. H. steering. GERMANY. PALLAS.	1	DS 511-25a	Harness for headlamp and front direction indicator, right-hand.	1	DB 511-35	Harness, front.	1
DS 511-23r	Front harness. R. H. steering.	1	DS 511-25d	Harness for headlamp, horn and front direction indicator left-hand. PALLAS.	1	DW 511-24	Harness, rear.	1
DS 511-23j	Front harness. PRESTIGE.	1	DS 511-25e	Harness for headlamp and front direction indicator, right-hand. PALLAS.	1	DS 511-24n	Harness, rear, PALLAS.	1
DW 511-24	Rear harness (except PRESTIGE).	1	DS 511-29b	Harness, auxiliary, left-hand. PRESTIGE.	1	DS 511-25b	Harness for headlamp, horns and front direction indicator left-hand.	1
DM 511-24m	Rear harness. CABRIOLET.	1	DS 511-29c	Harness, auxiliary, right-hand. PRESTIGE.	1	DS 511-25c	Harness for headlamp and front direction indicator, right-hand.	1
DS 511-24g	Rear harness. PRESTIGE.	1	DS 511-22	Harness from dynamo to regulator.	1	DS 511-25f	Harness for headlamp, horn, front direction indicator and quartz iodine relay, left-hand. PALLAS.	1
DW 511-24a	Rear harness (rear heating and demisting). COLD CLIMATES.	1	DS 511-63a	Earth cable, headlamp and front direction indicator.	2	DS 511-25g	Harness for headlamp and front direction indicator, right-hand, quartz iodine headlamp. PALLAS.	1
						DS 511-22	Harness from dynamo to regulator.	1
						DS 511-63a	Earth cable headlamp and front direction indicator.	2
						DF 511-19	Wire from coil to contact breaker 450 mm long.	1
						DW 511-55	Harness for temperature gauge. Until November 1964.	1

NUMBER	DESCRIPTION	No. OFF	NUMBER	DESCRIPTION	No. OFF	NUMBER	DESCRIPTION	No. OFF
	ELECTRICAL EQUIPMENT							
A 512-5b	Bush, rubber 3.5 x 6.5 x 20 for 4 mm socket (R. VI).	As nec.	722.429	Washer for battery terminal (R. III).	2	DM 523-99	Rubber packing 80 x 68 x 2 for fuse support (R. VI).	1
D 511-97	Bush, split rubber 4 x 16 x 20 for passage of front harness in dashframe, right hand.	1		12 VOLT FUSES Arrangement Prestige and U.S.A. Until August 1961		DW 523-6	Support for fuse 80 x 68 x 28 (R. VI).	1
D 511-98	Bush, split rubber 12.5 x 50 x 20 for passage of front harness in dashframe, left-hand.	1	DM 523-4	Fuse 30 amp (R. VI).	2	2.610-S	Screw, raised head countersunk 3.5 x 15 securing supports (R. VI).	2
DS 511-95	Bush, rubber 3 x 19 x 45 for passage of rear direction indicator wire in body.	2	DS 523-99	Rubber packing between support and fuse (R. VI).	1		ARRANGEMENT WITH 8 FUSES November 1962—September 1964	
722.458	Junction with 1 terminal (R. III).	1	DM 523-6b	Support for fuse (R. VI).		DM 523-4	Fuse 30 amp (R. VI).	8
722.592	"Axo" positive clip for battery with screw (R. VI).	1	DS 523-98	Bracket, intermediate for fuse support.	1	DM 523-99a	Rubber packing, 98 x 80 x 2, for bracket for 6 fuses (R. VI).	1
722.593	"Axo" negative clip for battery with screw (R. VI).	1		ALL TYPES (Except U.S.A.) September 1960 - August 1961		DS 523-99	Rubber packing, 80 x 38 x 2, for support for 2 fuses (R. VI).	1
711.472	Terminal lug 8.5 mm for battery cable (R. III).	4				DM 523-6a	Support, 98 x 80 x 28, for 6 fuses (R. VI).	1
710.022	Nut, special 5 diameter 75 pitch for ebonite terminal (R. VI).	1	DM 523-4	Fuse 30 amp. (R. VI).	4	DM 523-6b	Support, 80 x 38 x 28, for 2 fuses (R. VI).	1
A 512-3	Socket, 2.5 mm diameter for lead on coil. Until July 1959.	4	DM 523-99	Rubber packing 80 x 68 x 2 for fuse support (R. VI).	1		ARRANGEMENT WITH 8 FUSES GERMANY—ITALY Since September 1964	
A 512-3b	Socket, 4 mm diameter for leads (R. VI).	As nec.	DM 523-6	Support for fuse 80 x 68 x 28 (R. VI).	1	DM 523-4	Fuse 30 amp (R. VI).	8
A 512-4a	Plug, 4 mm diameter for leads (R. VI).	As nec.		ALL TYPES Since August 1961 ARRANGEMENT WITH 4 FUSES		DM 523-99a	Rubber packing, 98 x 80 x 2 for bracket for 6 fuses (R. VI).	1
D 511-76	Gutter protecting front harness. Until July 1959.	1				DS 523-99	Rubber packing 80 x 38 x 2 for support for 2 fuses (R. VI).	1
D 512-7a	Socket on instrument board (R. VI). Until August 1961.	1	DM 523-4	Fuse 30 amp (R. VI).	4	DS 523-6	Support, 90 x 80 x 28 for 6 fuses (R. VI).	1
						DM 523-6b	Support, 80 x 38 x 28 for 2 fuses (R. VI).	1

304-HORNS

NUMBER	DESCRIPTION	No. OFF	NUMBER	DESCRIPTION	No. OFF	NUMBER	DESCRIPTION	No. OFF
	HORNS ASSEMBLY FOR THE RIGHT AND FOR THE LEFT Until June 1957						ARRANGEMENT FOR RIGHT HAND AND LEFT HAND Since September 1962	
D 571-1	<i>Horn, town use (R. VI). No longer supplied.</i>	1	DM 571-3a	Ferson horn for town use, 12 volts (R. VI). PRESTIGE. Since June 1959. U. S. A. Since December 1959. All Types. Since September 1960.	1	DM 571-3a	Ferson horn for town use, 12 volts, left hand (R. VI).	1
D 571-2	<i>Horn, country use (R. VI). No longer supplied.</i>	1	DM 571-4	Ferson horn for country use, 12 volts (R. VI). PRESTIGE. Since June 1959. U. S. A. Since December 1959. All Types. Since September 1960.	1	DM 571-4	Ferson horn for country use, 12 volts, right and left hand (R. VI).	2
D 571-99	Support for country use horn left hand.	1	2.503-S	Nut, hex. 7 diameter 100 pitch for the screw securing blades on support (R. III).	1	2.503-S	Nut, hex 7 diameter 100 pitch, securing blades on support (R. III).	2
D 571-99a	Support for town use horn right hand.	1	DM 571-98	Blade support for country use horn.	2	DM 571-98	Blade support for country use horn.	4
482-S	Screw, hex. head 7 diameter 12.5 long securing supports (R. III).	4	DM 571-99	Support for country and town use horn.	1	DS 571-97	Support for town use horn.	1
	ASSEMBLY FOR THE RIGHT June 1957 - September 1962		483-S	Screw, hex. head 7 diameter 15 long securing blades on support (R. III).	1	DS 571-99	Support for country use horn.	2
DM 571-1d	Ferson horn for town use, 6 volts (R. VI). Until September 1960.	1	485-S 30	Screw, hex. head 7 diameter 20 long securing support on body (R. III).	2	483-S	Screw, hex. head 7 diameter 15 long securing blades on support (R. III).	2
DM 571-2	Ferson horn for country use, 6 volts (R. VI). Until September 1960.	1						

NUMBER	DESCRIPTION	No. OFF	NUMBER	DESCRIPTION	No. OFF	NUMBER	DESCRIPTION	No. OFF
	RADIO Since September 1961							
619,809	Clip retaining wire for loud-speaker (R. VI).	4	2.269-S	Nut, hex. 4 diameter 75 pitch for screws securing loud-speaker (R. III).	4	DW 653-55b	Grille protecting loud-speaker (interior leather). PALLAS.	1
DW 653-01	"Ara" aerial (R. VI).	1	DW 653-47	Surround for loud-speaker grille (R. VI).	1	DW 653-56	Joint (cardboard) for sound deadening between grille and surround for loud-speaker (R. VI).	1
DW 653-69	Aerial cover (R. VI).	1	DW 653-47b	Surround for loud-speaker grille (interior leather). PALLAS.	1	DW 653-0a	Radio only (R. VI).	1
DW 653-1	"Ara" suppression condenser on coil and dynamo regulator (R. VI).	2	DW 653-05	Assembly for radio telephone comprising: - Aerial, loud-speaker and fixing (R. VI).	1	DW 653-57	Protector (cloth) for loud-speaker.	1
2.320-S	Nut, hex, 5 diameter 75 pitch, securing condenser on coil (R. III).	1	DW 653-58	Distance piece 6 diameter 15 long for screws securing loud-speaker (R. VI).	4	DW 653-59	<i>Protector (smooth), (shaped), for co-axial aerial on front pillar (R. VI). Until January 1963. Replaced by DW 653-59a.</i>	1
615.747	Nut clips for screws securing loud-speaker (R. VI).	4	DW 653-60	Wire for loud-speaker (R. VI).	1	DW 653-59a	Protector, (ribbed), (shaped), for co-axial aerial on front pillar (R. VI). Since January 1963.	1
			DW 653-60	Wire for loud-speaker (R. VI).	1	2.262-S	Washer, 4.25 x 10 for screws securing loud-speaker (R. III).	4
			DW 653-55	Grille protecting loud-speaker (R. VI).	1	2.281-S	Screw, raised head countersunk, 4 diameter x 25 long, securing loud-speaker (R. VI).	4
			DW 653-10	"Audax" loud-speaker (R. VI).	1	2.756-S	Screw, round head, 3.5 x 9.5, securing radio earth wire (R. VI).	1

NUMBER	DESCRIPTION	No. OFF	NUMBER	DESCRIPTION	No. OFF	NUMBER	DESCRIPTION	No. OFF
	RADIO (Frequency Modulated) Since June 1965							
619.809	Clip retaining wire for loudspeaker (R. VI).	4	DW 653-47	Surround for rear loudspeaker grille.	1	DW 653-57	Protector (cotton) for loudspeaker, rear.	1
DW 653-01	"ARA" aerial (R. VI).	1	DW 653-47b	Surround for rear loudspeaker grille (leather interior). PALLAS.	1	DW 653-59a	Protector, corrugated (shaped), for coaxial descent on centre pillar (R. VI).	1
DS 653-83	Bush, rubber, 9 x 14.5 x 7, for securing grille and bracket for loudspeaker, front (R. VI).	2	DS 653-012	Radio assembly comprising aerial, loudspeaker and fixings (R. VI).	1	2.262-S	Washer, 4.25 x 10, for screws securing loudspeaker.	4
DW 653-69	Aerial cover (R. VI).	1	DW 653-58	Distance piece, 6 x 15, for screws securing loudspeaker, rear (R. VI).	4	619.133	Washer, 5.25 x 15 x 1.5, for screws securing loudspeaker and grille on front finishing panel.	2
DS 653-45	Mixer switch (R. VI).	1	DW 653-60	Lead for loudspeaker, rear (R. VI).	1	DS 653-11	Bracket for loudspeaker, front (R. VI).	1
DS 653-1	Suppressor condenser on coil (R. VI).	1	DW 653-55	Grille for protecting loudspeaker, rear (R. VI).	1	DS 653-99	Earth cable (between bonnet and body) 2 holes 7.5 at 350 mm between centres (R. VI).	1
DS 653-1a	Suppressor condenser on dynamo regulator (R. VI).	1	DW 653-55b	Grille for protecting loudspeaker, rear (interior leather). PALLAS.	1	2.281-S	Screw, raised head countersunk, 4 x 25 for securing loudspeaker, rear (R. VI).	4
2.320-S	Nut, hex., 5 x 75, for securing condenser on coil.	1	DS 653-55a	Grille for loudspeaker, front (R. VI). PALLAS.	1	2.756-S	Screw, round head, 3.5 x 9.5, for securing earth lead on radio (R. VI).	1
615.747	Nut clips for screws securing rear (R. VI).	4	DS 653-10	Loudspeaker, front (R. VI).	1	63-S	Screw, round head, 4 x 10, for securing loudspeaker, front on bracket.	4
2.269-S	Nut, hex., 4 x 75, for screws securing: - loudspeaker, front. - loudspeaker, rear.	4 4	DX 653-10	Loudspeaker, rear (R. VI).	1	2.741-S	Screw, 4.85 x 9.5, for securing loudspeaker and grille on front finishing panel (R. VI).	2
			DW 653-56	Joint (cardboard) sound deadening, between grille and loudspeaker surround (R. VI).	1			

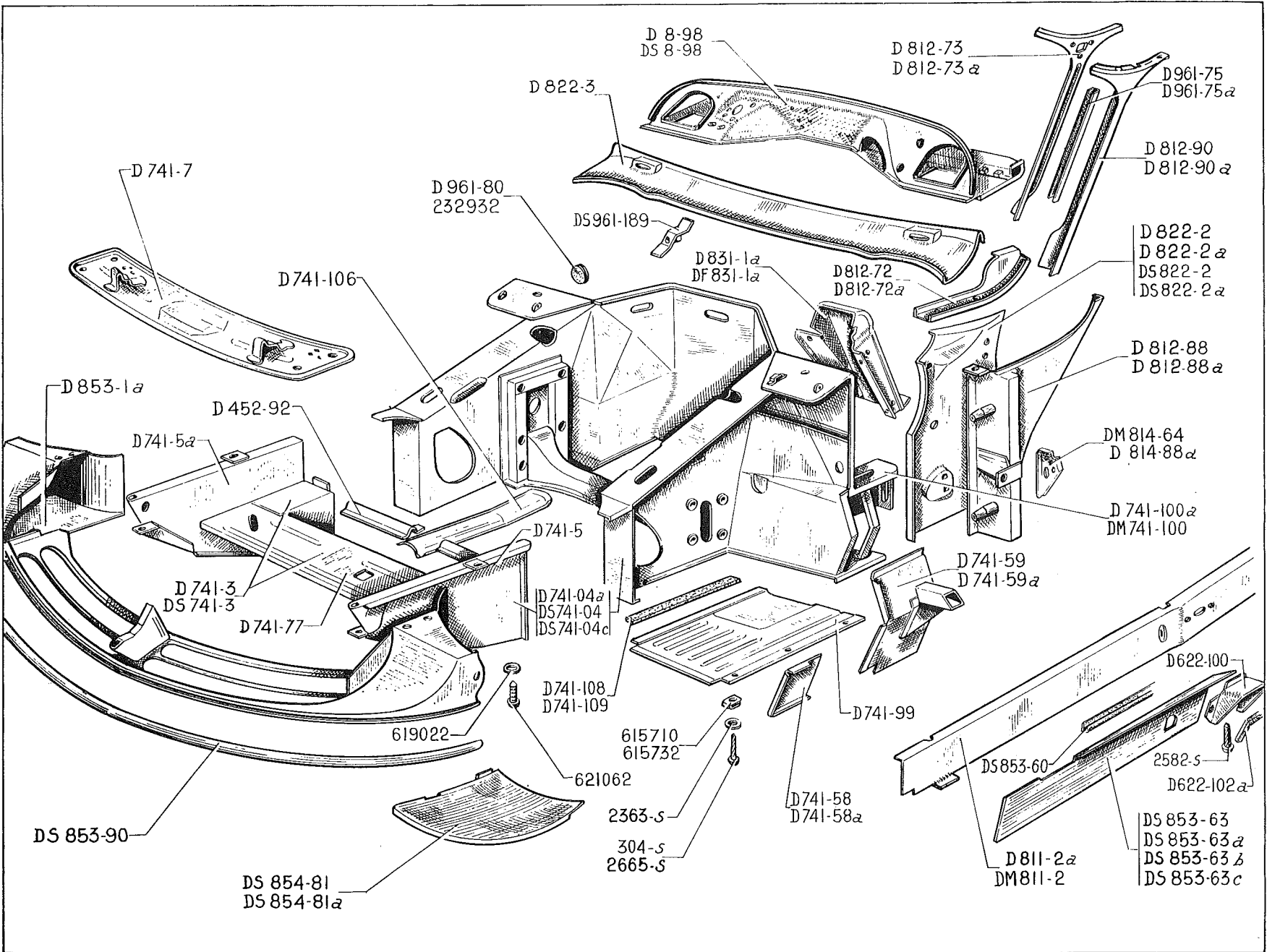
NOTE: The radio assembly is supplied without fascia panel or front loudspeaker grille or distributor or rotor.
Catalogue No. 466 - March 1966.

306-WHEEL ACCESSORIES-TOOLS

NUMBER	DESCRIPTION	No. OFF	NUMBER	DESCRIPTION	No. OFF	NUMBER	DESCRIPTION	No. OFF
	WHEEL ACCESSORIES						TOOLS	
							Note: Parts which do not figure in the text are no longer supplied.	
DS 622-7	Stand for changing wheel. Since February 1956.	1	DS 416-80c	Balance weight for wheel, 40 grammes (R. VI). Since January 1962.	As nec.	DS 251-2	Starting handle spindle with pin. June 1957 - March 1962.	1
DS 854-78	Rubber buffer for sound deadening wheel embellisher 32 x 16 x 2. 5. February 1956 - February 1957.	12	DS 416-80e	Balance weight for wheel, 60 grammes (R. VI). Since January 1962.	As nec.	DS 251-2a	Starting handle spindle with pin. Since March 1962.	1
DS 854-72	Rubber buffer for sound deadening wheel embellisher 5 mm diameter 40 mm long. Since February 1957.	24	392.630	Balance weight for wheel, 35 mm long (R. VI). Until January 1962. Replaced by DS 416-80c.	As nec.	DS 625-96a	Strap retaining oil can. Until September 1962.	1
DS 622-55	Spanner for stand with embellisher remover. Replaced by DX 622-55.	1	392.631	Balance weight for wheel, 55 mm long (R. VI). Until January 1962. No longer supplied.	As nec.	DS 621-1	Spanner for sparking plugs (R. VI).	1
DS 623-0	Jack (R. VI). CABRIOLET.	1	392.632	Spring for wheel balance weight (R. VI). Until January 1962.	As nec.	621.951	Ring spanner 12 x 14 (R. VI).	1
DS 621-3	Tool for removing wheel embellisher. Until November 1957.	1	DS 854-90a	Spring securing wheel embellisher. Until February 1957. Since February 1957.	16 12	650.139	Spanner closed end 12 sides (R. VI).	1
D 622-106	Disc on stand spanner (R. VI).	1	D 622-4	Strap securing sparewheel. Until September 1962. Replaced by DS 622-4	1	650.147	Spanner, double ended 8 x 10 (R. VI).	1
DS 854-3c	Wheel embellisher fitted with 6 sound deadening buffers. Replaces early type.	4	DS 622-4	Strap securing sparewheel. Since September 1962.	1	650.232	Spanner, double ended 7 x 9 (R. VI).	1
DS 854-3d	Wheel embellisher. PALLAS and CABRIOLET. Since September 1964.	4	D 622-6	Strap, fixed, securing sparewheel.	1	D 251-1	Starting handle.	1
DS 416-80a	Balance weight for wheel, 20 grammes (R. VI).	As nec.	DS 622-99	Support, rear, for sparewheel with securing clips for starting handle and extension. Until September 1962.	1	DX 251-80	Clip for securing starting handle. Since July 1965.	1
DS 416-80b	Balance weight for wheel, 30 grammes (R. VI). Since January 1962.	As nec.	DS 622-97c	Support, rear, for sparewheel. Since September 1962.	1	DS 251-4e	Extension for starting handle. All types. Since October 1963. Replaces previous types. For models supplied from June 1957 to September 1962; order in addition: 1-DS 251-101.	1
			483-S	Screw, hex. head 7 diameter 15 long, securing support for spare-wheel (R. III).	2	DS 251-101	Bracket for starting handle extension September 1962 - July 1965.	1
						DX 251-101	Bracket supporting starting handle. Since July 1965.	1
						650.137	Screwdriver (R. VI).	1

NUMBER	CHARACTERISTICS	TYPE	REMARKS
	NOTE - The bodies are supplied, without side doors, rear boot door, bonnet, roof or front and rear wings.		
D 8-05b	Body, 2 holes for brake accumulator on sidemember, left-hand, holes for ventilation and heating, 165 mm wide. L.H. steering. Replaces earlier type. See MR-4. 278-10 and 4. 292-10. For arrangement before October 1959; order in addition: 2-DS 443-71, 2-DS 443-88, 2-DS 412-86.	BERLINE	Until July 1960.
DS 8-05b	Body, 1 hole for brake accumulator on side member, left-hand, holes for ventilation and heating, 165 mm wide, engine recess with housing panel for damper. L.H. steering.	BERLINE	July 1960 - August 1961.
DS 8-05f	Body, 1 hole for brake accumulator on sidemember, left-hand, holes for ventilation and heating, 101 mm wide, engine recess with housing panel for damper. L.H. steering.	BERLINE	August 1961 - September 1962.
DS 8-05h	Body, 1 hole for brake accumulator on sidemember, left-hand, holes for ventilation and heating, 101 mm wide, engine recess with housing panel for damper. L.H. steering.	CABRIOLET	August 1961 - September 1962.
DS 8-05i	Body, fixing for exhaust silencer under front seats, hole for passage of steering, 225 mm. L.H. steering.	BERLINE	September 1962 - September 1964.
DS 8-05j	Body, fixing for exhaust silencer under front seats, hole for passage of steering, 225 mm. L.H. steering.	CABRIOLET	September 1962 - September 1964.
DS 8-05k	Body, fixing for exhaust silencer under front seats, and support for gear control on right-hand sidemember. ALL TYPES. R.H. steering.	BERLINE	Until September 1964.
DS 8-05m	Body, 556 mm between centres windscreen wiper spindle fixing. L.H. steering.	BERLINE	September 1964 - July 1965.
DS 8-05n	Body, 556 mm between centres windscreen wiper spindle fixing. R.H. steering.	BERLINE	September 1964 - July 1965.
DS 8-05p	Body, 556 mm between centres windscreen wiper spindle fixing. L.H. steering.	CABRIOLET	September 1964 - July 1965.
DW 8-05b	Body, fixing for clutch pedal gear by 3 screws. (Mechanical control). L.H. steering.	BERLINE	Until September 1964.
DM 8-05W	Body, 556 mm between centres windscreen wiper spindle fixing (Mechanical control). L.H. steering.	BERLINE	September 1964 - July 1965.
DS 8-05c	Body, 2 slots 52 mm on sidemember, left-hand. L.H. steering.	BERLINE	Since July 1965.
DS 8-05u	Body, 1 slot 80 mm on sidemember, right-hand. R.H. steering.	BERLINE	Since July 1965.

310-BODY UNITS (FRONT)



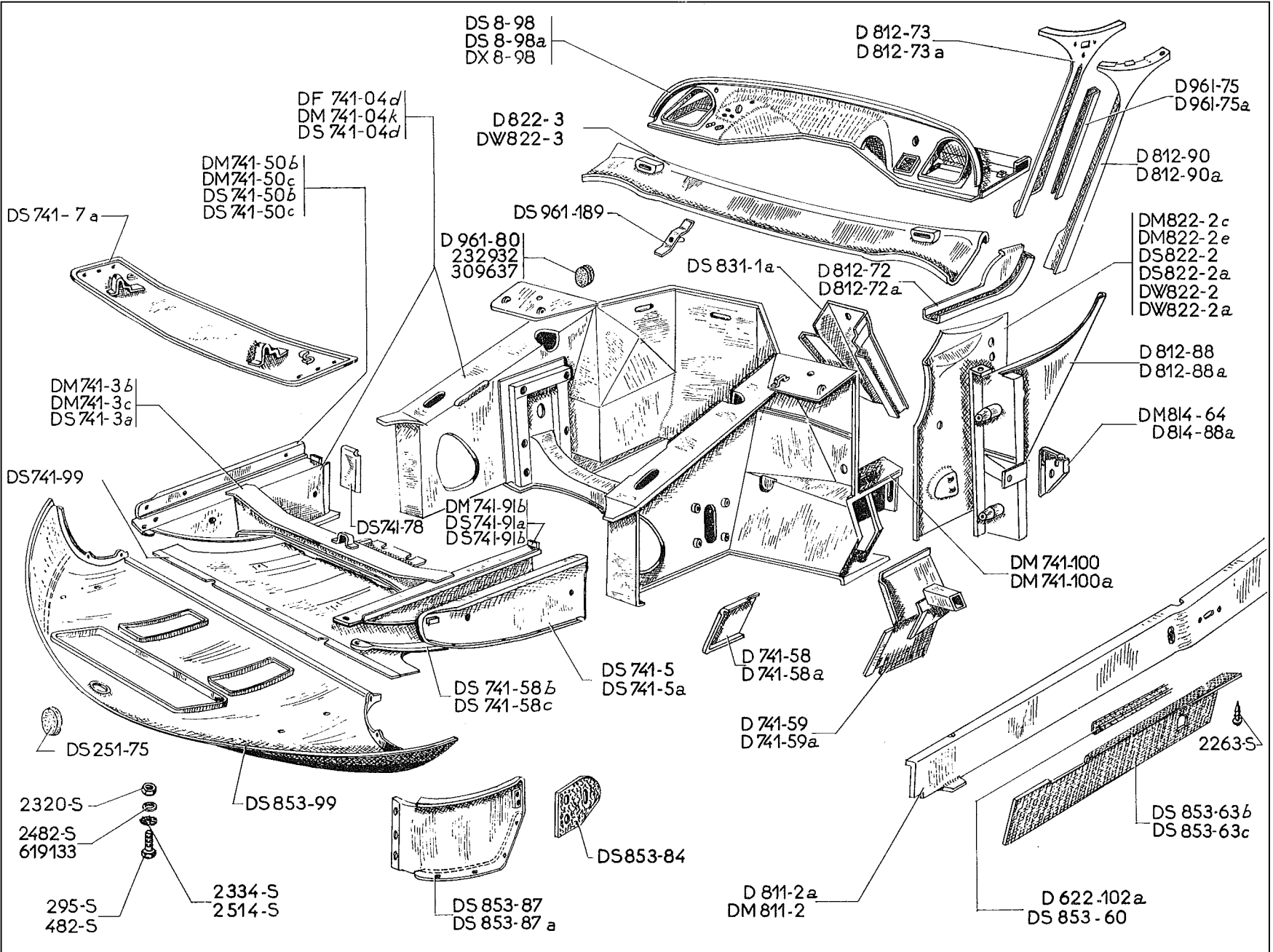
308-BODY UNITS (FRONT)

NUMBER	DESCRIPTION	No. OFF	NUMBER	DESCRIPTION	No. OFF	NUMBER	DESCRIPTION	No. OFF
	Until September 1962							
D 8-98	Upper dashframe with scuttle shelf and crossmember, hole for ventilation, 165 mm wide. Until August 1961.	1	DS 741-3	Front unit for caisson (front part), 1 hole for brake accumulator on sidemember, left-hand. Since July 1960.	1	D 741-106	Connecting panel between front crossmember and centre cross-member of front unit.	1
DS 8-98	Upper dashframe with scuttle shelf and crossmember, hole for ventilation, 101 mm wide. Since August 1961.	1	D 741-5	Sidemember, front unit (front part), left-hand.	1	D 741-108	Sound deadening felt, 240 x 15 x 4 for closing front part of the front unit. Until July 1960. Since July 1960.	2 4
D 452-92	Crossmember, carrying ducts for cooling brakes.	2	D 741-5a	Sidemember, front unit (front part), right-hand.	1	D 741-109	Sound deadening felt, 435 x 15 x 4 for closing front part of the front unit. Until July 1960.	4
D 622-100	Protection panel for sealing rubber for jacking housing.	2	D 741-7	Crossmember, front for spare wheel.	1	D 811-2a	Siderail for bottom of body, right-hand.	1
D 622-102a	<i>Lining for finishing panel, 60 mm long (R. VI). No longer supplied.</i>	2	D 741-58	Closing panel for front unit and front body siderail, left-hand.	1	DM 811-2a	Siderail for bottom of body, left-hand.	1
D 741-04a	<i>Front unit for caisson, lower rear stay for mounting, 14 mm diameter for fixing spindle, machined portion 28 mm long, 2 holes for brake accumulator, on sidemember, left-hand. Until October 1959. Replaced by DS 741-04; order in addition: 2-DS 412-86, 2-DS 443-71, 2-DS 443-88 (see MR 4.278-10 and 4.292-10).</i>	1	D 741-58a	Closing panel for front unit and front body siderail, right-hand.	1	D 812-72	<i>Closing panel, upper, for front pillar, left-hand. Replaced by DS 812-72.</i>	1
DS 741-04	Front unit for caisson, lower rear stay for mounting, 14 mm diameter for fixing spindle, machined portion 22 mm long, 2 holes for brake accumulator, on sidemember, left-hand. October 1959 - July 1960.	1	D 741-59	Lateral closing panel for front sidemember, left-hand.	1	D 812-72a	<i>Closing panel, upper, for front pillar, right-hand. Replaced by DS 812-72a.</i>	1
DS 741-04c	Front unit for caisson, engine recess with housing panel for damper, 1 hole for brake accumulator on sidemember, left-hand. Since July 1960.	1	D 741-59a	Lateral closing panel for front sidemember, right-hand.	1	D 812-73	Closing panel, inner, for front pillar, (upper part of body), left-hand.	1
D 741-3	Front unit for caisson (front part), 2 holes for brake accumulator, on sidemember, left-hand. Until July 1960.	1	D 741-77	Crossmember, front, front unit, with yokes.	1	D 812-73a	Closing panel, inner, for front pillar, (upper part of body), right-hand.	1
			D 741-99	Closing panel, only for the front part of front unit.	2	D 812-88	Front pillar (lower part of body), left-hand.	1
			D 741-100a	Sidemember with reinforcement, right-hand side.	1	D 812-88a	Front pillar (lower part of body), right-hand.	1
			DM 741-100	<i>Sidemember with reinforcement, left-hand side. Replaced by DS 741-100.</i>	1	D 812-90	Front pillar (upper part of body), left-hand.	1
						D 812-90a	Front pillar (upper part of body), right-hand.	1
						DM 814-64	Gusset, lower, for front pillar, with hole for wiring, left-hand.	1
						D 814-88a	Gusset, lower, for front pillar, right-hand.	1

BODY UNITS (FRONT)-311

NUMBER	DESCRIPTION	No. OFF	NUMBER	DESCRIPTION	No. OFF	NUMBER	DESCRIPTION	No. OFF
D 822-2	Lateral scuttle panel with fixing plate for dashboard, left-hand (replaces earlier type, see MR-4292). Until August 1961.	1	DS 853-63a	<i>Finishing panel for front part under bottom body siderail, right-hand. Until September 1960. Replaced by DS 853-63c.</i>	1	304-S	Screw, hex. head, 6 x 16, for securing closing panels for the front part (R. III). Since March 1961.	12
D 822-2a	<i>Lateral scuttle panel with fixing plate for dashboard, right-hand. Until August 1961. Replaced by DS 822-2c.</i>	1	DS 853-63b	Finishing panel for front part under bottom body, siderail (diamond points), left-hand. Since September 1960.	1	2.363-S	Washer, plain, 6.5 x 14, for screws securing closing panels for the front part of the front unit (R. III).	12
DS 822-2	Lateral scuttle panel with nuts welded to upper part, left-hand. Since August 1961.	1	DS 853-63c	Finishing panel for front part under bottom body siderail (diamond points), right-hand. Since September 1960.	1	2.582-S	Screw, P. K., 3.5 x 15, securing finishing panel under body siderail (R. VI).	12
DS 822-2a	<i>Lateral scuttle panel with nut welded to upper part, right-hand. Since August 1961. Replaced by DW 822-2c.</i>	1	DS 853-90	Covering strip for front edge of finishing panel for front part of caisson.	1	2.665-S	Screw, P. K., 5 x 16, securing closing panels for the front part of the front unit (R. VI). Until March 1961.	12
D 822-3	Scuttle panel.	1	DS 854-81	Finishing panel on valance of caisson front unit, left-hand. Until May 1957.	1	232.932	Grommet for sealing body (R. IV).	4
D 831-1a	Pedal panel, only, without angle plate securing pressure switch. Until July 1961.	1	DS 854-81a	Finishing panel on valance of caisson front unit, right-hand. Until May 1957.	1	615.710	Nut clips for 4.85 diameter screws, securing closing panels of the front part of the front unit (R. VI). Until March 1961.	12
DF 831-1a	Pedal panel (only). Since July 1961..	1	D 961-75	Lateral surround for windscreen, left-hand.	1	615.732	Nut clips securing closing panels for the front part (R. VI). Since March 1961.	12
D 853-1a	Valance for front part of caisson.	1	D 961-75a	Lateral surround for windscreen, right-hand.	1	619.022	Washer, 5 x 14 x 1 for screws securing covering strip and finishing panel (R. III).	30
DS 853-60	Rubber between lining and finishing panel, 80 mm long.	12	D 961-80	Plug, round 42 mm for sealing body.	2	621.062	Screw, hex. head, 5 x 14, securing covering strip and finishing panel (R. III).	30
DS 853-63	Finishing panel for front part under bottom body siderail, left-hand. Until September 1960.	1	DS 961-189	<i>Central reinforcement for wind-screen surround on scuttle dome. Replaced by DS 961-189a.</i>	1			

314-BODY UNITS (FRONT)



312-BODY UNITS (FRONT)

NUMBER	DESCRIPTION	No. OFF	NUMBER	DESCRIPTION	No. OFF	NUMBER	DESCRIPTION	No. OFF
	Since September 1962							
<u>DM 8-98f</u>	Upper dashframe with scuttle shelf and crossmember. (Manual control). L. H. steering. Since September 1964.	1	<u>DX 251-80</u>	Clip securing starting handle. Since July 1965.	1		left-hand sidemember, L. H. steering. Since July 1965.	
DS 8-98	Upper dashframe with scuttle shelf and crossmember, hole for ventilation 101 mm wide. L. H. steering. Until September 1964.	1	<u>DX 251-101</u>	Support bracket for starting handle. Since July 1965.	1	DM 741-3b	Front unit of caisson (front part), with intermediate crossmember and support for gear control bearing on sidemember, left-hand. (Mechanical control). L. H. steering.	1
DS 8-98a	Upper dashframe with scuttle shelf and crossmember. ALL TYPES. R. H. steering. Until September 1964.	1	<u>DM 334-114b</u>	Support for bearing of gear change control, fixing centres 97 mm and 120 mm. L. H. steering. Since July 1965.	1	DM 741-3c	<i>Front unit of caisson (front part), with intermediate crossmember and bearing support for gear control on sidemember, right-hand. ALL TYPES. R. H. steering. Until July 1965. Replaced by DS 741-3b; order in addition: 1-DM 334-284c, 1-DX 251-80, 1-DX 251-101.</i>	1
<u>DS 8-98b</u>	Upper dashframe with scuttle shelf and crossmember. L. H. steering. September 1964 - July 1965.	1	<u>DM 334-284c</u>	Support for bearing of gear change control, fixing centres 116 mm and 120 mm. R. H. steering. Since July 1965.	1	DS 741-3a	<i>Front unit of caisson (front part), with intermediate crossmember. L. H. steering. Until July 1965. Replaced by DX 741-3a; order in addition: 1-DX 251-80, 1-DX 251-101.</i>	1
<u>DS 8-98c</u>	Upper dashframe with scuttle shelf and crossmember. R. H. steering. September 1964 - July 1965.	1	D 622-102a	<i>Lining for finishing panel, 60 mm long (R. VI). No longer supplied.</i>	2	<u>DS 741-3b</u>	Front unit of caisson (front part), without bearing support, 2 notches in lower part. R. H. steering. Since July 1965.	1
<u>DS 8-98d</u>	Upper dashframe with scuttle shelf and crossmember. L. H. steering. Since July 1965.	1	DF 741-04d	<i>Front unit for caisson with intermediate crossmember support for gear control bearing on left-hand sidemember. (Mechanical control). L. H. steering. Until June 1964. Replaced by DM 741-04g.</i>	1	<u>DX 741-3a</u>	Front unit of caisson (front part), without bearing support, 2 notches in lower part. L. H. steering. Since July 1965.	1
<u>DS 8-98e</u>	Upper dashframe with scuttle shelf and crossmember. R. H. steering. Since July 1965.	1	<u>DM 741-04g</u>	Front unit for caisson with intermediate crossmember and support for gear control bearing on left-hand sidemember. (Mechanical control). L. H. steering. June 1964 - July 1965.	1	DS 741-5	Sidemember, front, front unit, left-hand side.	1
DX 8-98	<i>Upper dashframe with scuttle shelf and crossmember, 2 welded screws on central part, ventilation hole 101 mm wide; hole for passage of steering 180 mm, hole 28 mm on left-hand side. (Mechanical control). L. H. steering. Until June 1964. Replaced by DW 8-98.</i>	1	DM 741-04k	Front unit for caisson with intermediate crossmember and support for gear control bearing on right-hand sidemember. ALL TYPES. R. H. steering. Until July 1965.	1	DS 741-5a	<i>Sidemember, front, front unit, right-hand side. Until July 1965. Replaced by DX 741-5; order in addition: 1-DX 251-80, 1-DX 251-101.</i>	1
<u>DW 8-98</u>	Upper dashframe with scuttle shelf and crossmember, 2 welded screws on central part, ventilation hole 101 mm wide, hole for passage of steering 180 mm, hole 28 mm on left-hand side. (Mechanical control). L. H. steering. June 1964 - September 1964.	1	<u>DS 741-04d</u>	Front unit for caisson with intermediate crossmember. L. H. steering. Until July 1965.	1	<u>DX 741-5</u>	Sidemember, front, of front unit, right-hand side. Since July 1965.	1
DS 251-75	Closing plate for starting handle hole on panel (R. VI). Until July 1965.	1	<u>DS 741-04g</u>	Front unit of caisson with intermediate crossmember, without bearing support, connecting gusset scuttle to sidemember, reinforced, 1 slot 80 mm on right-hand sidemember. R. H. steering. Since July 1965.	1	DS 741-7a	<i>Crossmember, front, for spare-wheel with starting handle bracket. Until September 1964. Replaced by DS 741-7.</i>	1
DX 251-75	Closing plate for starting handle hole on panel (R. VI). Since July 1965.	1	<u>DS 741-04h</u>	Front unit of caisson with intermediate crossmember, without bearing support, connecting gusset scuttle to sidemember, reinforced, 2 slots, 52 mm on	1	<u>DS 741-7b</u>	<i>Crossmember, front, for spare-wheel with starting handle bracket. Since September 1964. Replaced by DX 741-7.</i>	1

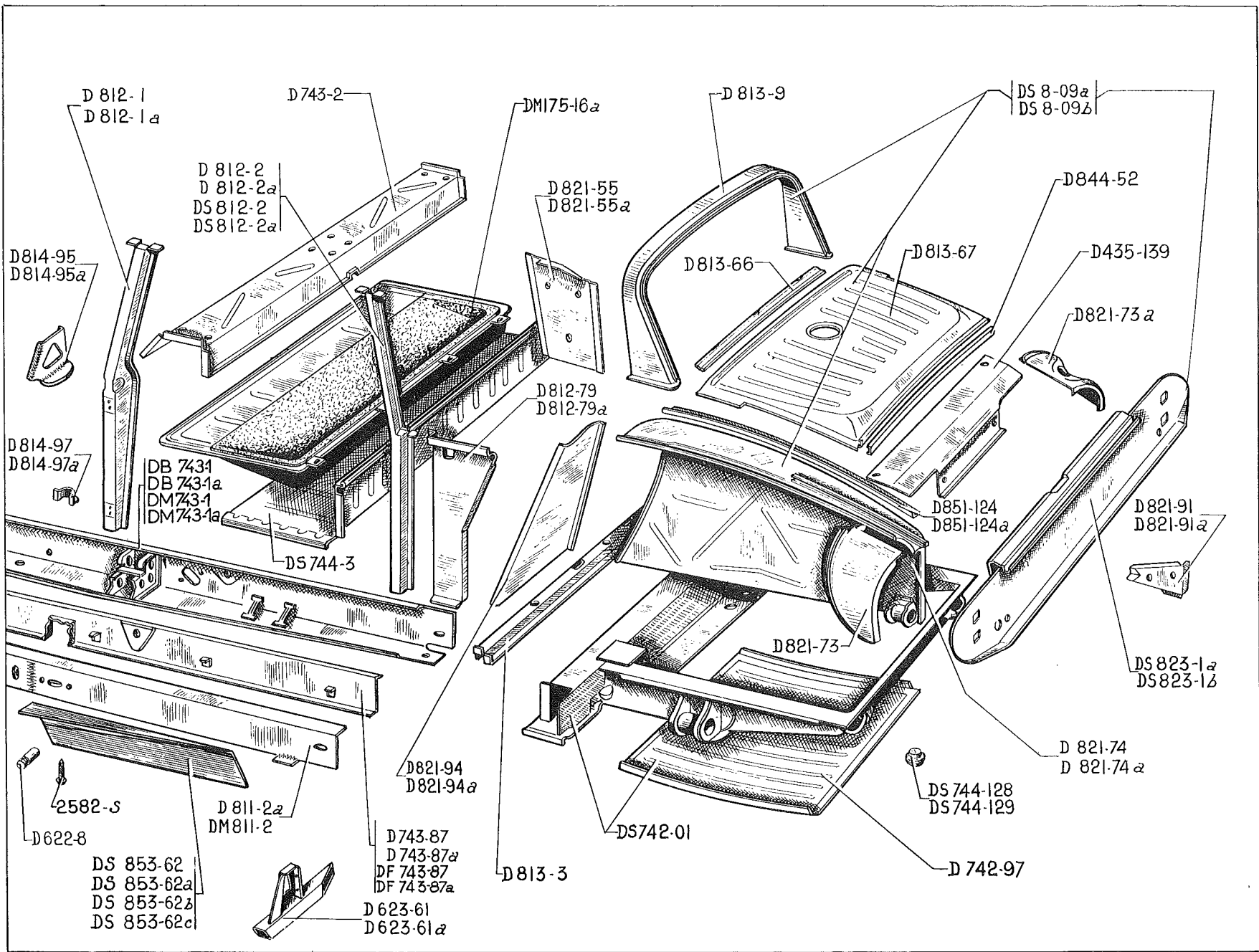
NUMBER	DESCRIPTION	No. OFF	NUMBER	DESCRIPTION	No. OFF	NUMBER	DESCRIPTION	No. OFF
DM 741-50b	<i>Extension, front, comprising: front sidemember, closing panel for siderail, distance piece for front unit, siderail for front unit, support for gear control bearing on sidemember, left-hand (Manual Control) L.H. steering. Until July 1965. Replaced by DX 741-50; order in addition: 1-DM 334-114b, 1-DX 251-80, 1-DX 251-101.</i>	1	<u>DX 741-50c</u>	Extension, front, comprising: front sidemember, closing panel for siderail, distance piece for front unit, siderail for front unit, right-hand. R.H. steering. Since July 1965.	1	<u>DX 741-91b</u>	Siderail for front unit, 6 welded nuts, left-hand. L.H. steering. Since July 1965.	1
DM 741-50c	Extension, front, comprising: front sidemember, closing panel for siderail, distance piece for front unit, siderail for front unit, support for gear control bearing on sidemember, right-hand. R.H. steering. (Manual control) DS. Until July 1965.	1	D 741-58	Closing panel for front unit and front body siderail, left-hand.	1	<u>DX 741-91d</u>	Siderail for front unit, 2 welded nuts, left-hand. R.H. steering. Since July 1965.	1
DS 741-50b	Extension, front, comprising: front sidemember, closing panel for siderail, distance piece for front unit, siderail for front unit, left-hand. (Mechanical control). L.H. steering. R.H. steering. (Manual control) DS. Until July 1965.	1	D 741-58a	Closing panel for front unit and front body siderail, right-hand.	1	DS 741-99	Closing panel for the front unit.	1
DS 741-50c	Extension, front, comprising: front sidemember, closing panel for siderail, distance piece for front unit, siderail for front unit, right-hand. L.H. steering. (Manual control) DS. Until July 1965.	1	<u>DS 741-58</u>	Closing panel for siderail on sidemember, left-hand. Since July 1965.	1	DM 741-100	<i>Sidemember with reinforcement, left-hand. Until July 1965. Replaced by DS 741-100.</i>	1
<u>DX 741-50</u>	Extension, front, comprising: front sidemember, closing panel for siderail, distance piece for front unit, siderail for front unit, left-hand. L.H. steering. Since July 1965.	1	<u>DS 741-58a</u>	Closing panel for siderail on sidemember, right-hand. Since July 1965.	1	DS 741-100	Sidemember, front, left-hand. Since July 1965.	1
<u>DX 741-50a</u>	Extension, front, comprising: front sidemember, closing panel for siderail, distance piece for front unit, siderail for front unit, right-hand. L.H. steering. Since July 1965.	1	DS 741-58b	<i>Closing panel for siderail on sidemember, left-hand. Until July 1965. Replaced by DS 741-58.</i>	1	DM 741-100a	Sidemember with distance piece and reinforcement, right-hand.	1
<u>DX 741-50b</u>	Extension, front, comprising: front sidemember, closing panel for siderail, distance piece for front unit, siderail for front unit, left-hand. L.H. steering. Since July 1965.	1	DS 741-58c	<i>Closing panel for siderail on sidemember, right-hand. Until July 1965. Replaced by DS 741-58a.</i>	1	D 811-2a	Siderail for bottom of body, right-hand.	1
			D 741-59	Lateral closing panel for front sidemember, left-hand.	1	DM 811-2	Siderail for bottom of body, left-hand.	1
			D 741-59a	Lateral closing panel for front sidemember, right-hand.	1	D 812-72	<i>Closing panel, upper, for front pillar, left-hand. Until September 1964. Replaced by DS 812-72.</i>	1
			DS 741-78	Distance piece for front unit between sidemember and siderail.	2	D 812-72a	<i>Closing panel, upper, for front pillar, right-hand. Until September 1964. Replaced by DS 812-72a.</i>	1
			DM 741-91d	Siderail for front unit, with support for gear change control, right-hand. R.H. steering. Until July 1965.	1	<u>DS 812-72</u>	Closing panel, upper, for front pillar, left-hand. Since September 1964.	1
			DS 741-91a	<i>Siderail for front unit, left-hand. Until July 1965. Replaced by DX 741-91d.</i>	1	<u>DS 812-72a</u>	Closing panel, upper, for front pillar, right-hand. Since September 1964.	1
			DS 741-91b	Siderail for front unit, right-hand. L.H. steering. Until July 1965.	1	D 812-73	Closing panel, inner, for front pillar, (upper part of body), left-hand.	1
			<u>DS 741-91c</u>	Siderail for front unit, 10 welded nuts, right-hand. R.H. steering. Since July 1965.	1	D 812-73a	Closing panel, inner, for front pillar (upper part of body), right-hand.	1
			<u>DX 741-91a</u>	Siderail for front unit, 3 welded nuts, right-hand. L.H. steering. Since July 1965.	1	D 812-88	Front pillar, (lower part of body), left-hand.	1
						D 812-88a	Front pillar, (lower part of body), right-hand.	1
						D 812-90	Front pillar, (upper part of body), left-hand.	1

The numbers underlined indicate new parts which do not appear on the illustration.

BODY UNITS (FRONT)—315A

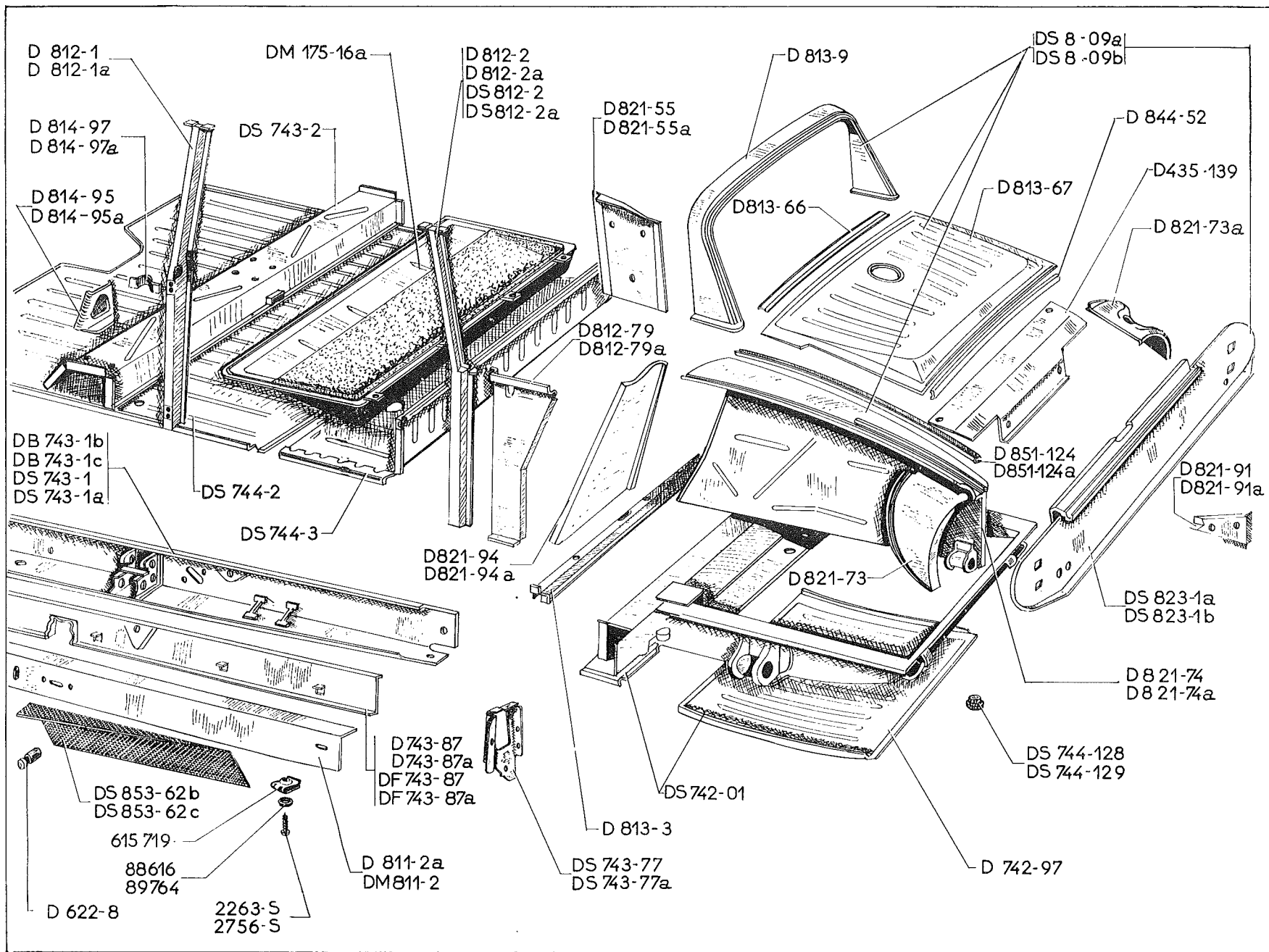
NUMBER	DESCRIPTION	No. OFF	NUMBER	DESCRIPTION	No. OFF	NUMBER	DESCRIPTION	No. OFF
D 812-90a	Front pillar, (upper part of body), right-hand.	1	<u>DW 822-2b</u>	Lateral scuttle panel, support for unlocking rod, 30 mm long, left-hand. Manual control. L. H. steering. Since September 1964.	1	DS 853-87a	Lateral closing panel for finishing panel, right-hand.	1
DM 814-64	Gusset, lower for front pillar with hole for wiring, left-hand.	1				DS 853-99	Finishing panel for front part of caisson.	1
D 814-88a	Gusset, lower for front pillar, right-hand.	1	<u>DW 822-2c</u>	Lateral scuttle panel, support for unlocking rod, 30 mm long, right-hand, L. H. steering. Since September 1964.	1	D 961-75	Lateral surround for windscreen, left-hand.	1
DM 822-2c	<i>Lateral scuttle panel, right-hand, R. H. steering. Until September 1964. Replaced by DS 822-2e.</i>	1	D 822-3	Scuttle panel, L. H. steering. Centres between fixing points for windscreen wipers 892 mm. Until September 1964.	1	D 961-75a	Lateral surround for windscreen, right-hand.	1
DM 822-2e	<i>Lateral scuttle panel, left-hand, R. H. steering. Until September 1964. Replaced by DS 822-2d.</i>	1	<u>DS 822-3</u>	Scuttle panel, (centres between fixing points for windscreen wipers 556 mm. Since September 1964.	1	D 961-80	Plug, round 42 mm for sealing body.	2
DS 822-2	Lateral scuttle panel, with nuts welded to upper part, left-hand, L. H. steering. Until September 1964.	1	DW 822-3	Scuttle panel with welded nuts, distance between centres for fixing points for windscreen wipers 892 mm. Until September 1964.	1	DS 961-189	<i>Central reinforcement for wind-screen surround on scuttle dome. Until September 1964. Replaced by DS 961-189a.</i>	1
DS 822-2a	<i>Lateral scuttle panel, with nuts welded to upper part, right-hand, L. H. steering. Until September 1964. Replaced by DW 822-2c.</i>	1	DS 831-1a	Pedal panel only.	1	<u>DS 961-189a</u>	Central reinforcement for wind-screen surround. Since September 1964.	1
<u>DS 822-2b</u>	Lateral scuttle panel, support for unlocking rod, 30 mm long, left-hand, L. H. steering. Since September 1964.	1	DS 853-60	Rubber between lining and finishing panel, 80 mm long.	12	295-S 30	Screw, hex. head, 5 x 16, for securing closing panel (R. III).	15
<u>DS 822-2d</u>	Lateral scuttle panel, support for unlocking rod, 30 mm long, left-hand, R. H. steering. Since September 1964.	1	DS 853-63b	Finishing panel for front part under bottom body, siderail (diamond points), left-hand.	1	482-S	Screw, hex. head, 7 x 125 for securing: - front crossmember. - bearing bracket.	4 4
<u>DS 822-2e</u>	Lateral scuttle panel, support for unlocking rod, 30 mm long, right-hand, R. H. steering. Since September 1964.	1	DS 853-63c	Finishing panel for front part under bottom body, siderail (diamond points), right-hand.	1	2. 263-S	Screw, round head, 3.5 x 15.9, for securing finisher for siderail (R. VI).	38
DW 822-2	<i>Lateral scuttle panel with nuts welded at upper part, support for unlocking rod, 30 mm long, left-hand. (Mechanical control). L. H. steering. Replaced by DW 822-2b. Until September 1964.</i>	1	<u>DS 853-63d</u>	Finishing panel for front part under bottom body, siderail, left-hand PALLAS.	1	2. 320-S	Nut, hex., 5 x 75, for securing closing panel (R. III).	12
DW 822-2a	<i>Lateral scuttle panel with welded nuts at upper part, support for unlocking rod, 30 mm long, right-hand. (Mechanical control). Replaced by DW 822-2c. Until September 1964.</i>	1	<u>DS 853-63e</u>	Finishing panel for front part under bottom body, siderail, right-hand PALLAS.	1	2. 334-S	Washer, shakeproof, 5.2 x 9.4, for securing closing panel (R. VI).	15
			DS 853-84	Rubber between closing panel and front bumpers.	2	2. 482-S	Washer, 7.5 x 14, for securing: - front crossmember. - bearing bracket.	4 4
			DS 853-87	Lateral closing panel for finishing panel, left-hand.	1	2. 514-S	Washer, 7.3 x 12 (R. VI) for securing: - front crossmember. - bearing bracket.	4 4
						232. 932	Grommet for sealing body (R. IV).	4
						309. 637	Grommet, rubber, for holes securing safety harness (R. III).	6
						619. 133	Washer, 5.25 x 15 x 1.5, for securing closing panel (R. VI).	4

The numbers underlined indicate new parts which do not appear on the illustration.



316-BODY UNITS (REAR)

NUMBER	DESCRIPTION	No. OFF	NUMBER	DESCRIPTION	No. OFF	NUMBER	DESCRIPTION	No. OFF
	Until September 1962							
DS 8-09a	Unit, rear for body, without support for stay, CABRIOLET.	1	DF 743-87	Lining with reinforcement for centre sidemember, left-hand. CABRIOLET.	1	D 814-97a	Reinforcement, lower, for centre pillar, right-hand.	1
DS 8-09b	Unit, rear for body, with 2 holes for securing wing, 18 x 18. BERLINE.	1	DF 743-87a	Lining with reinforcement for centre sidemember, right-hand. CABRIOLET.	1	D 821-55	Lining for quarter panel, left-hand.	1
DM 175-16a	<i>Cover for access for petrol tank. Replaced by DS 175-16b.</i>	1	DS 744-3	Heelboard for petrol tank.	1	D 821-55a	Lining for quarter panel, right-hand.	1
D 435-139	Panel protecting rear height corrector control.	1	DS 744-128	Plug, rubber, sealing floor of boot.	2	D 821-73	Rear connecting panel, left-hand.	1
D 622-8	Eyebolt for stay anchorage.	1	DS 744-129	Plug sealing floor.	12	D 821-73a	Rear connecting panel, right-hand.	1
D 623-61	Gusset with support tube for rear jacking, left-hand.	1	D 811-2a	Siderail for bottom of body, right-hand.	1	D 821-74	Wheel arch, left-hand.	1
D 623-61a	Gusset with support tube for rear jacking, right-hand.	1	DM 811-2	Siderail for bottom of body, left-hand.	1	D 821-74a	Wheel arch, right-hand.	1
D 742-01	<i>Unit, rear, for caisson (rear part). Replaced by DS 742-01.</i>	1	D 812-1	<i>Centre pillar for body, left-hand. BERLINE. Replaced by DW 812-1.</i>	1	D 821-91	Gusset for rear wheel arch reinforcement, left-hand.	1
D 742-97	Floor panel for rear boot.	1	D 812-1a	<i>Centre pillar for body, right-hand. BERLINE. Replaced by DW 812-1a.</i>	1	D 821-91a	Gusset for rear wheel arch reinforcement, right-hand.	1
DB 743-1	Sidemember for centre unit with gusset, reinforcement 1 mm thick, left-hand. CABRIOLET.	1	D 812-2	Rear pillar for body, left-hand. BERLINE.	1	D 821-94	Closing panel, front, for rear wheel arch, left-hand.	1
DB 743-1a	Sidemember for centre unit with gusset, reinforcement 1 mm thick, right-hand. CABRIOLET.	1	D 812-2a	Rear pillar for body, right-hand, BERLINE.	1	D 821-94a	Closing panel, front, for rear wheel arch, right-hand.	1
DM 743-1	Sidemember for centre unit with gusset, left-hand.	1	DS 812-2	Rear pillar for body, left-hand. CABRIOLET.	1	DS 823-1a	Rear panel without moulding for trimming. CABRIOLET.	1
DM 743-1a	Sidemember for centre unit with gusset, right-hand.	1	DS 812-2a	Rear pillar for body, right-hand. CABRIOLET.	1	DS 823-1b	Rear panel, 2 holes 18 x 18, for securing wing. BERLINE.	1
D 743-2	Crossmember under seat, 1.260 m long, 416 mm wide.	1	D 812-79	Lateral closing panel, lower for rear pillar, left-hand.	1	D 844-52	Moulding, upper, for rear window shelf panel, 1.180 m long.	1
D 743-87	Lining for centre sidemember, left-hand. BERLINE.	1	D 812-79a	Lateral closing panel, lower for rear pillar, right-hand.	1	D 841-124	Moulding, for trimming, upper, for rear wing on wheel arch 838 mm long, left-hand.	1
D 743-87a	Lining for centre sidemember, right-hand. BERLINE.	1	D 813-3	Rear lower crossmember for body.	1	D 841-124a	Moulding, for trimming, upper, for rear wing on wheel arch 670 mm long, right-hand.	1
			D 813-9	Rear upper crossmember for body.	1	DS 853-62	Finishing panel for rear part under body bottom siderail, left-hand. Until September 1960.	1
			D 813-66	Rear crossmember for rear window shelf.	1	DS 853-62a	Finishing panel for rear part under body bottom siderail, right-hand. Until September 1960.	1
			D 813-67	<i>Panel, only, for rear window shelf. Replaced by DS 813-4a.</i>	1	DS 853-62b	Finishing panel for rear part under body bottom siderail, left-hand (diamond points). Since September 1960.	1
			D 814-95	Gusset connecting front left and rear right of siderail to bottom of body.	2	DS 853-62c	Finishing panel for rear part under body bottom siderail, right-hand (diamond points). Since September 1960.	1
			D 814-95a	Gusset connecting front right and rear left side of siderail to bottom of body.	2	2.582-S	Screw, P. K. 3.5 x 15, securing finishing panel to siderail (R. VI).	12
			D 814-97	Reinforcement, lower, for centre pillar, left-hand.	1			



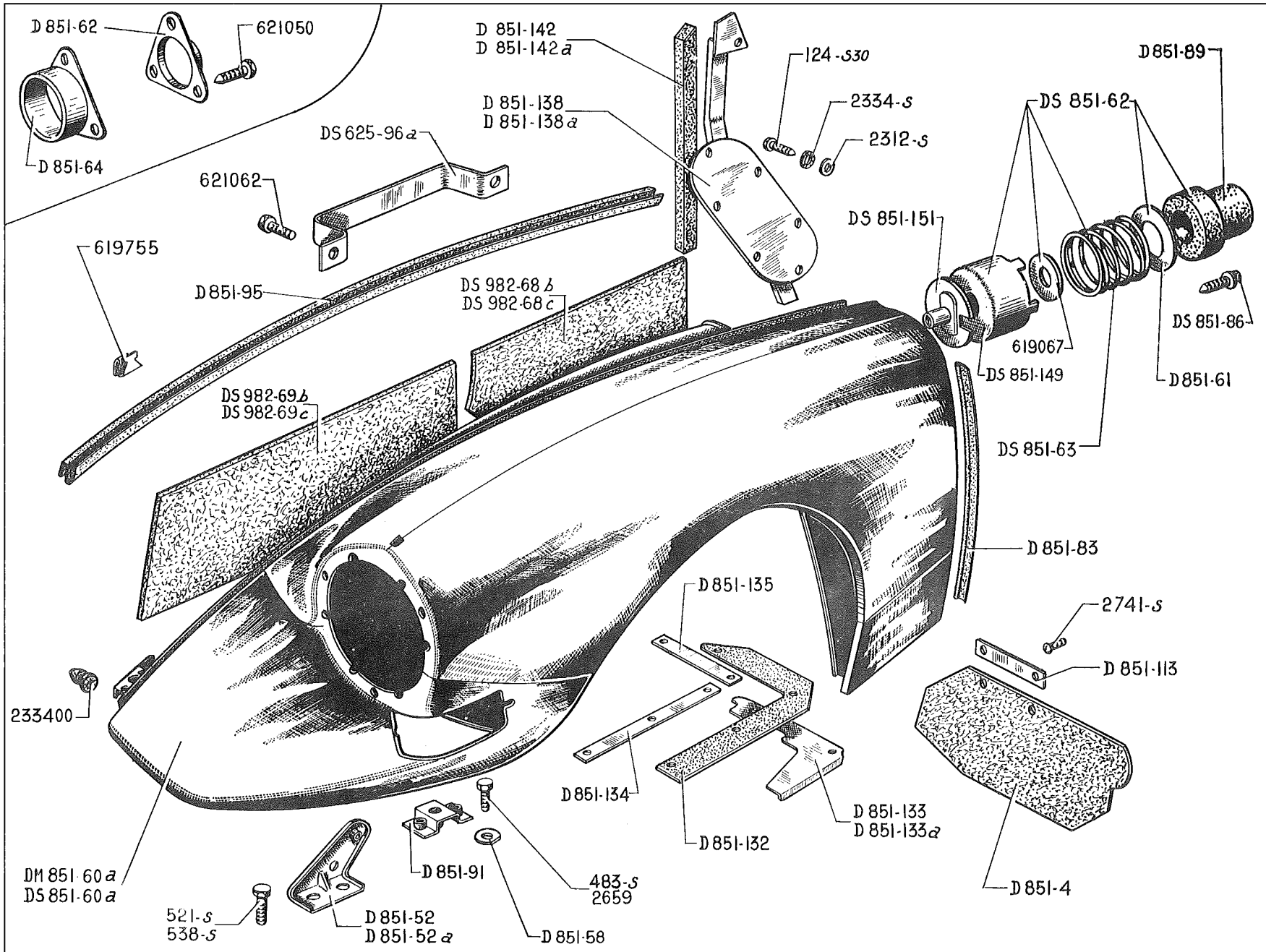
NUMBER	DESCRIPTION	No. OFF	NUMBER	DESCRIPTION	No. OFF	NUMBER	DESCRIPTION	No. OFF
	Since September 1962							
DS 8-09a	Unit rear for body, without support for stay. CABRIOLET.	1	DS 743-2	Crossmember under seat, 1.260 m long, 447 mm wide.	1	D 812-2	Rear pillar for body, left-hand. BERLINE.	1
DS 8-09b	Unit rear for body, with pressing for loud-speaker, 2 holes 18 x 18 for wing fixing. BERLINE.	1	DS 743-77	Closing panel for sidemember on rear pillar, left-hand.	1	D 812-2a	Rear pillar for body, right-hand. BERLINE.	1
DM 175-16a	<i>Cover for access to petrol. Until January 1964. Replaced by DS 175-16b.</i>	1	DS 743-77a	Closing panel for sidemember on rear pillar, right-hand.	1	DS 812-2	Rear pillar for body, left-hand. CABRIOLET.	1
DS 175-16b	Cover for access to petrol tank. Since January 1964.	1	D 743-87	Lining for centre sidemember, left-hand. BERLINE.	1	DS 812-2a	Rear pillar for body, right-hand. CABRIOLET.	1
D 435-139	Panel protecting rear height corrector control.	1	D 743-87a	Lining for centre sidemember, right-hand. BERLINE.	1	D 812-79	Lateral closing panel, lower for rear pillar, left-hand.	1
D 622-8	Eye bolt for stay anchorage.	1	DF 743-87	Lining with reinforcement for centre sidemember, left-hand. CABRIOLET.	1	D 812-79a	Lateral closing panel, lower for rear pillar, right-hand.	1
DS 742-01	<i>Unit, rear, for caisson (rear part), with thrust plate for jack, 212 mm between centres for exhaust fixing. Replaced by DX 742-01a.</i>	1	DF 743-87a	Lining with reinforcement for centre sidemember, right-hand. CABRIOLET.	1	D 813-3	Rear lower crossmember for body.	1
D 742-97	Floor panel for rear boot.	1	DS 744-2	<i>Central floor for caisson with passage for exhaust silencer, longitudinal reinforcement 1 mm thick. Replaced by DX 744-2.</i>	1	D 813-9	Rear upper crossmember for body.	1
DB 743-1b	Sidemember for centre unit with gusset, reinforcement 2 mm thick, right-hand. CABRIOLET.	1	DS 744-3	<i>Heelboard for petrol tank. Replaced by DX 744-3.</i>	1	D 813-66	Rear crossmember for rear window shelf.	1
DB 743-1c	Sidemember for centre unit with gusset, reinforcement 2 mm thick, left-hand. CABRIOLET.	1	DS 744-128	Plug, rubber, sealing floor or rear boot.	2	D 813-67	<i>Panel only, for rear window shelf. Replaced by DS 813-4a.</i>	1
DS 743-1	Sidemember for centre unit, interior reinforcement 1.695 m long, 1 mm thick, left-hand. BERLINE.	1	DS 744-129	Plug sealing floor.	12	D 814-95	Gusset connecting front left and rear right of siderail to bottom of body.	2
DS 743-1a	Sidemember for centre unit, interior reinforcement 1.695 m long, 1 mm thick, right-hand. BERLINE.	1	D 811-2a	Siderail for bottom of body, right-hand.	1	D 814-95a	Gusset connecting front right and rear left of siderail to bottom of body.	2
			DM 811-2	Siderail for bottom of body, left-hand.	1	D 814-97	Reinforcement, lower, for centre pillar, left-hand.	1
			D 812-1	<i>Centre pillar for body, left-hand. BERLINE. Until October 1962. Replaced by DW 812-1.</i>	1	D 814-97a	Reinforcement, lower, for centre pillar, right-hand.	1
			D 812-1a	<i>Centre pillar for body, right-hand. BERLINE. Until October 1962. Replaced by DW 812-1a.</i>	1	D 821-55	Lining for quarter panel, left-hand.	1
			<u>DW 812-1</u>	Centre pillar with fixing for safety harness and hole for parking lamp, left-hand. Since October 1962.	1	D 821-55a	Lining for quarter panel, right-hand.	1
			<u>DW 812-1a</u>	Centre pillar with fixing for safety harness and hole for parking lamp, right-hand. Since October 1962.	1	D 821-73	Rear connecting panel, left-hand.	1

The numbers underlined indicate new parts which do not appear on the illustration.

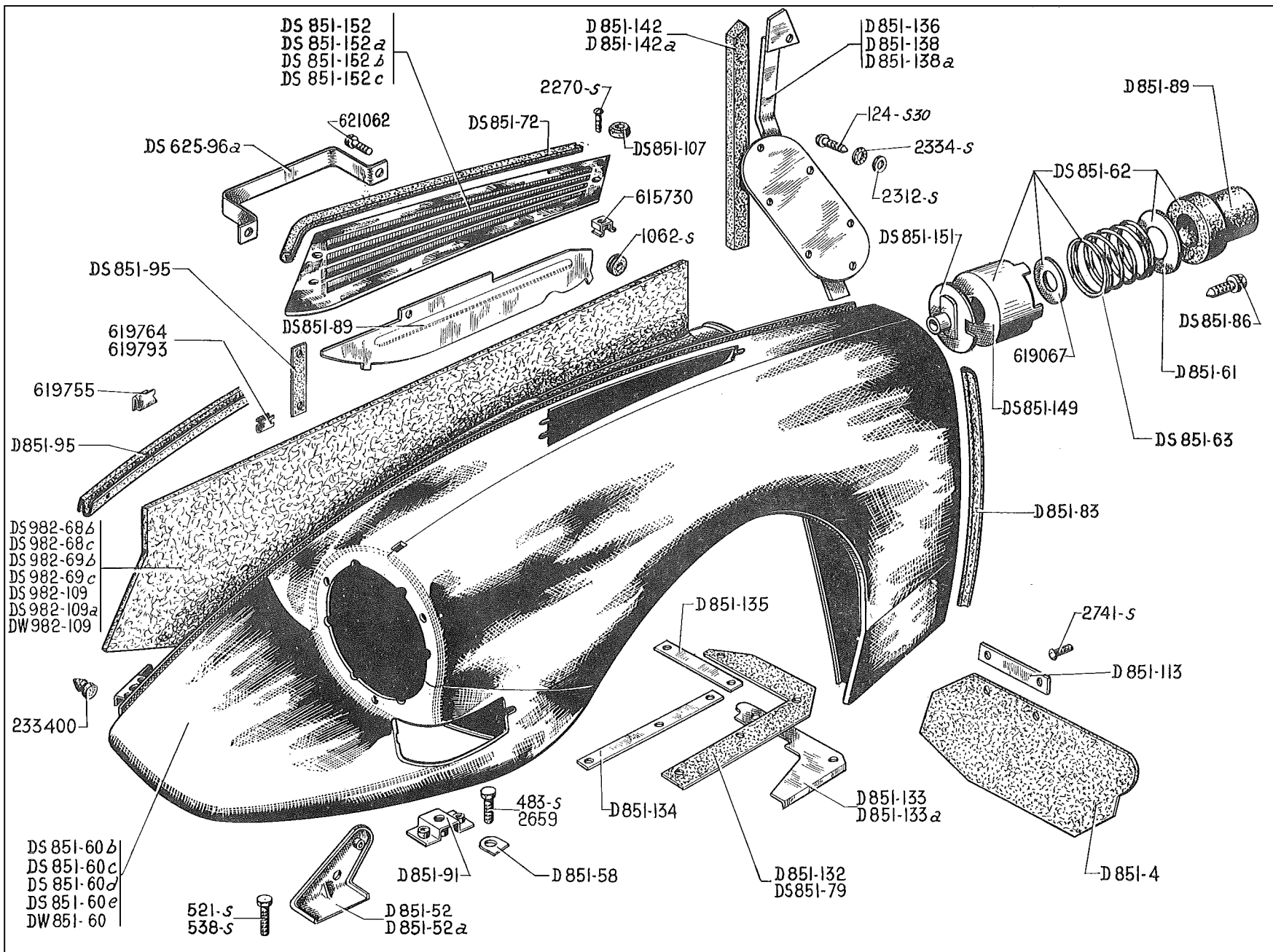
320-BODY UNITS (REAR)

NUMBER	DESCRIPTION	No. OFF	NUMBER	DESCRIPTION	No. OFF	NUMBER	DESCRIPTION	No. OFF
D 821-73a	Rear connecting panel, right-hand.	1	DS 823-1b	Closing panel, rear, for rear boot, 2 holes 18 x 18, for wing fixing, BERLINE.	1	<u>DS853-62e</u>	Finishing panel for rear part under body bottom siderail, right-hand. PALLAS.	1
D 821-74	Wheel arch, left-hand.	1	D 844-52	Moulding, upper, for rear window shelf panel, 1,180 mm long.	1	2.263-S	Screw, round head, 3.5 x 15.9, securing finishing panel to siderail(R. VI). Since September 1962.	38
D 821-74a	Wheel arch, right-hand.	1	D 851-124	Moulding for trimming, upper, for rear wing on wheel arch, 838 mm long, left-hand.	1	2.756-S	Screw, P. K. 3 x 10, securing finishing panel to siderail (R. VI).	4
D 821-91	Gusset for rear wheel arch reinforcement, left-hand.	1	D 851-124a	Moulding for trimming, upper, for rear wing on wheel arch, 670 mm long, right-hand.	1	88.616	Washer, 4.2 x 12 x 0.8, securing finishing panel to siderail (R. III).	38
D 821-91a	Gusset for rear wheel arch reinforcement, right-hand.	1	DS 853-62b	Finishing panel for rear part under body bottom siderail, left-hand (diamond points).	1	89.764	Washer, 5 x 10 x 1, for closing panel (R. IV).	6
D 821-94	Closing panel, front for rear wheel arch, left-hand.	1	DS 853-62c	Finishing panel for rear part under body bottom siderail, right-hand (diamond points).	1	615.719	Nut clip for fixing front and rear fixing panel (R. VI).	2
D 821-94a	Closing panel, front, for rear wheel arch, right-hand.	1	<u>DS 853-62d</u>	Finishing panel for rear front under body bottom siderail, left-hand. PALLAS.	1			
DS 823-1a	Closing panel, rear, for rear boot, without moulding for trimming. CABRIOLET.	1						

322-FRONT WINGS



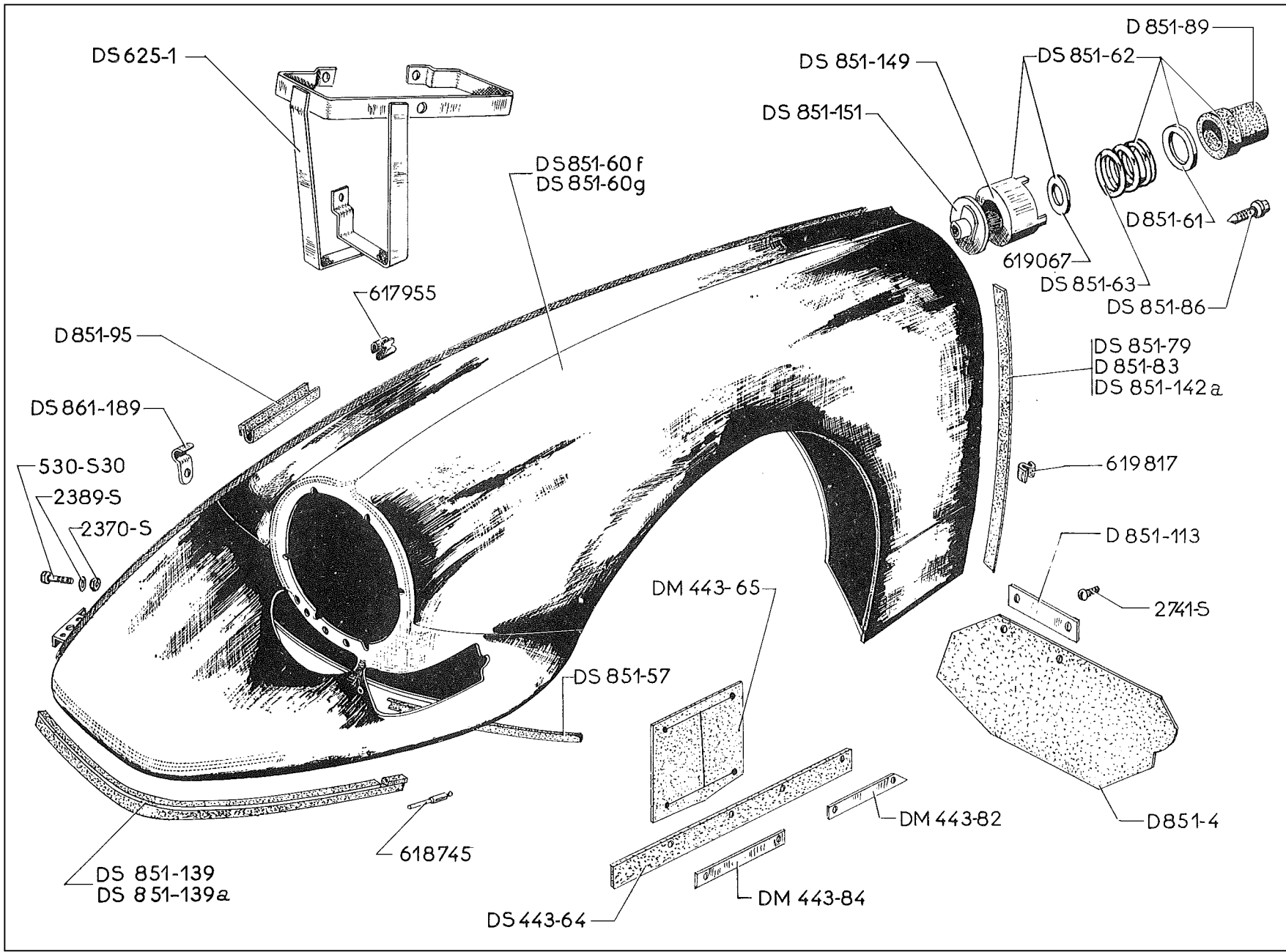
NUMBER	DESCRIPTION	No. OFF	NUMBER	DESCRIPTION	No. OFF	NUMBER	DESCRIPTION	No. OFF
	Until September 1959							
DS 625-96a	Strap (metal) retaining oil can.	1	D 851-89	Rubber sleeve for centring wing positioning spigot.	4	DS 982-68c	Sealing strip, right hand, for sound deadening wing valance, rear part (R. VI).	1
D 851-4	Mudflap, 160 mm long.	2	D 851-91	Support, inner for securing front wing on crossmember.	2	DS 982-69b	Sealing strip, left hand, for sound deadening wing valance, front part (R. VI).	1
D 851-52	Support, outer securing front wing, left hand on finishing panel.	1	D 851-95	Sealing strip, rubber, between wing and bonnet, 1.350 m long.	2	DS 982-69c	Sealing strip, right hand, for sound deadening wing valance, front part (R. VI).	1
D 851-52a	Support, outer securing front wing, right hand on finishing panel.	1	D 851-113	Plate 26 x 80 for reinforcing mudflap.	2			
D 851-58	Washer, 5.5 x 28 x 2 locking screw securing:- - centring bracket on front wing. - bracket securing wing on front crossmember.	12 4	D 851-132	Seal, rubber, between wing and caisson 144 mm long 93 mm wide.	2	124-S-30	Screw, round head 5 diameter 12.5 long securing closing plate on wing (R. III).	14
DM 851-60d	Front wing, fixing of adjustable centring support by 1 central screw, left hand.	1	D 851-133	Support, left hand securing rubber seal between wing and caisson.	1	483-S	Screw, hex. head 7 diameter 15 long wing support on finishing panel (R. III).	4
DS 851-60a	Front wing, fixing of adjustable centring support by 1 central screw, right hand.	1	D 851-133a	Support, right hand securing rubber seal between wing and caisson.	1	521-S	Screw, hex. head 9 diameter 16 long securing wing on front crossmember (R. III).	2
D 851-61	Thrust washer 25 x 44 for spigot spring on wing.	4	D 851-134	Backplate securing rubber seal between wing and caisson 217 mm long.	2	538-S	Screw, hex. head 9 diameter 25 long securing wing on reinforcement for finishing plate (R. III).	2
D 851-62	Locking plate for spigot on wing, secured by 3 screws. Until May 1958.	4	D 851-135	Backplate securing rubber seal between wing and caisson 125 mm long.	2	2.312-S	Plain washer 5.5 x 9 for screws securing closing plate on wing (R. III).	14
DS 851-62	Support, adjustable with rubber and spring for central spigot, fixing by 1 central screw. Since May 1958.	4	D 851-138	Closing plate, left hand on wing.	1	2.334-S	Washer, shakeproof 5.2 x 9.4 for screws securing closing plate on wing (R. VI).	14
DS 851-63	Thrust spring for wing spigot, external diameter 44 mm (4 coils).	4	D 851-138a	Closing plate, right hand on wing.	1	2.659	Screw, hex. head 5 diameter 13 long securing wing support on crossmember (R. III).	4
D 851-64	Centring socket for spigot on wing, fixing by 3 screws. Until May 1958.	4	D 851-142	Sealing strip for wing on left hand lateral scuttle panel (R. VI).	1	2.741-S	Screw, round head for mudflap backplate. (R. VI).	4
D 851-83	Sealing strip, rubber 385 mm long. - wing valance, front part. - wing valance, rear part. - lining for front part.	2 2 2	D 851-142a	Sealing strip for wing on right hand lateral scuttle panel (R. VI).	1	233.400	Sealing plug for wing (R. IV).	2
DS 851-86	Screw fixing centring support on wing, length under head 20 mm. Since May 1958.	4	DS 851-149	Centring support for spigot (only) on wing, fixing by 1 central screw. Since May 1958.	4	619.067	Washer 7.5 x 30 x 2 for centring support on wing (R. IV).	4
			DS 851-151	Washer locking centring support on wing. Since May 1958.	4	619.755	Clip securing rubber sealing strip between wing and bonnet (R. VI).	20
			DS 982-68b	Sealing strip, left hand, for sound deadening wing valance, rear part (R. VI).	1	621.050	Screw, hex. head 5 diameter 20 long securing locking plate for spigot (R. IV). Until May 1958.	12
						621.062	Screw, hex. head 5 diameter 14 long securing clamp retaining oil can (R. III).	2



324-FRONT WINGS

NUMBER	DESCRIPTION	No. OFF	NUMBER	DESCRIPTION	No. OFF	NUMBER	DESCRIPTION	No. OFF
	September 1959-September 1962							
DS 625-96a	Strap (metal) retaining oil-can.	1	DS 851-72	Surround beading for deflector grille (R. VI), by the metre. Since May 1961.	As nec.	D 851-135	Backplate, securing rubber seal, between wing and caisson, length 125 mm. Until February 1962.	2
D 851-4	Mudflap for wing 160 mm long.	2	DS 851-79	Sealing strip between front wing and caisson, 234 mm long. Since February 1962.	2	D 851-136	Closing plate on wing without support for lining. Since January 1960.	2
D 851-52	Support, external securing front wing, left-hand on finishing panel.	1	D 851-83	Sealing rubber, 385 mm long: - front part of wing valance. - rear part of wing valance. - lining for front part.	2 2 2	D 851-138	Closing plate, left-hand, on wing. Until January 1960.	1
D 851-52a	Support, external securing front wing, right-hand on finishing panel.	1	DS 851-86	Screw securing centring support on wing, length under head 20 mm.	4	D 851-138a	Closing plate, right-hand, on wing. Until January 1960.	1
D 851-58	Washer, 5,5 x 28 x 2 locking screw securing: - centring bracket on front wing. - bracket securing wing on front crossmember.	12 4	D 851-89	Rubber sleeve for centring wing positioning spigot.	4	D 851-142	Wing sealing strip, on lateral scuttle panel, left-hand (R. VI). Until January 1960.	1
DS 851-60b	<i>Front wing, left-hand, with hole for deflector. Until May 1961. Replaced by DS 851-60d; order in addition: 1-DS 851-152b.</i>	1	DS 851-89	Screen for closing air outlet.	2	D 851-142a	Wing sealing strip, on lateral scuttle panel, right-hand (R. VI). Until January 1960.	1
DS 851-60c	<i>Front wing, right-hand, with hole for deflector. Until May 1961. Replaced by DS 851-60e; order in addition: 1-DS 851-152c.</i>	1	D 851-91	Support inner, securing front wing on crossmember.	2	DS 851-149	Centring support (only) for spigot on wing, fixing by 1 central screw.	4
DS 851-60d	Front wing, left-hand with hole for deflector. Since May 1961.	1	D 851-95	Sealing rubber between wing and bonnet, 1,350 mm long.	2	DS 851-151	Washer locking centring support on wing.	4
DS 851-60e	Front wing, right-hand, with hole for deflector. Since May 1961.	1	DS 851-95	Strap retaining closing screen (9,5 x 15 x 4).	4	DS 851-152	<i>Grille for deflector, left-hand, 42 mm between fixing centres of the front part. Until May 1961. Replaced by DS 851-152b; order in addition: 1-DS 851-152c.</i>	1
DW 851-60	<i>Front wing, left-hand, with hole for deflector and air inlet on wing valance, left-hand. Replaced by DS 851-60d.</i>	1	DS 851-107	Distance piece securing grille for deflector (R. VI). Since May 1961.	6	DS 851-152a	Grille for deflector, right-hand, 42 mm between fixing centres of the front part. Until May 1961.	1
D 851-61	Thrust washer, 25 x 44, for spigot spring on wing.	4	D 851-113	Plate, 26 x 80, reinforcing wing mudflap.	2	DS 851-152b	Grille for deflector, left-hand, 82 mm between fixing centres of the front part. Since May 1961.	1
DS 851-62	Support, adjustable with rubber and spring for central spigot, fixing by one central screw.	4	D 851-132	Sealing rubber between wing and caisson, length 144 mm, width 93 mm. Until February 1962.	2	DS 851-152c	Grille for deflector, right-hand, 82 mm between fixing centres of the front part. Since May 1961.	1
DS 851-63	Thrust spring for wing spigot, external diameter 44 mm (4 coils).	4	D 851-133	Support, left-hand, securing sealing rubber between wing and caisson. Until February 1962.	1	DS 982-68b	Lining, left-hand, for sound deadening wing valance rear part (R. VI).	1
			D 851-133a	Support, right-hand, securing sealing rubber between wing and caisson. Until February 1962.	1			
			D 851-134	Backplate securing rubber seal, between wing and caisson, length 217 mm. Until February 1962.	2			

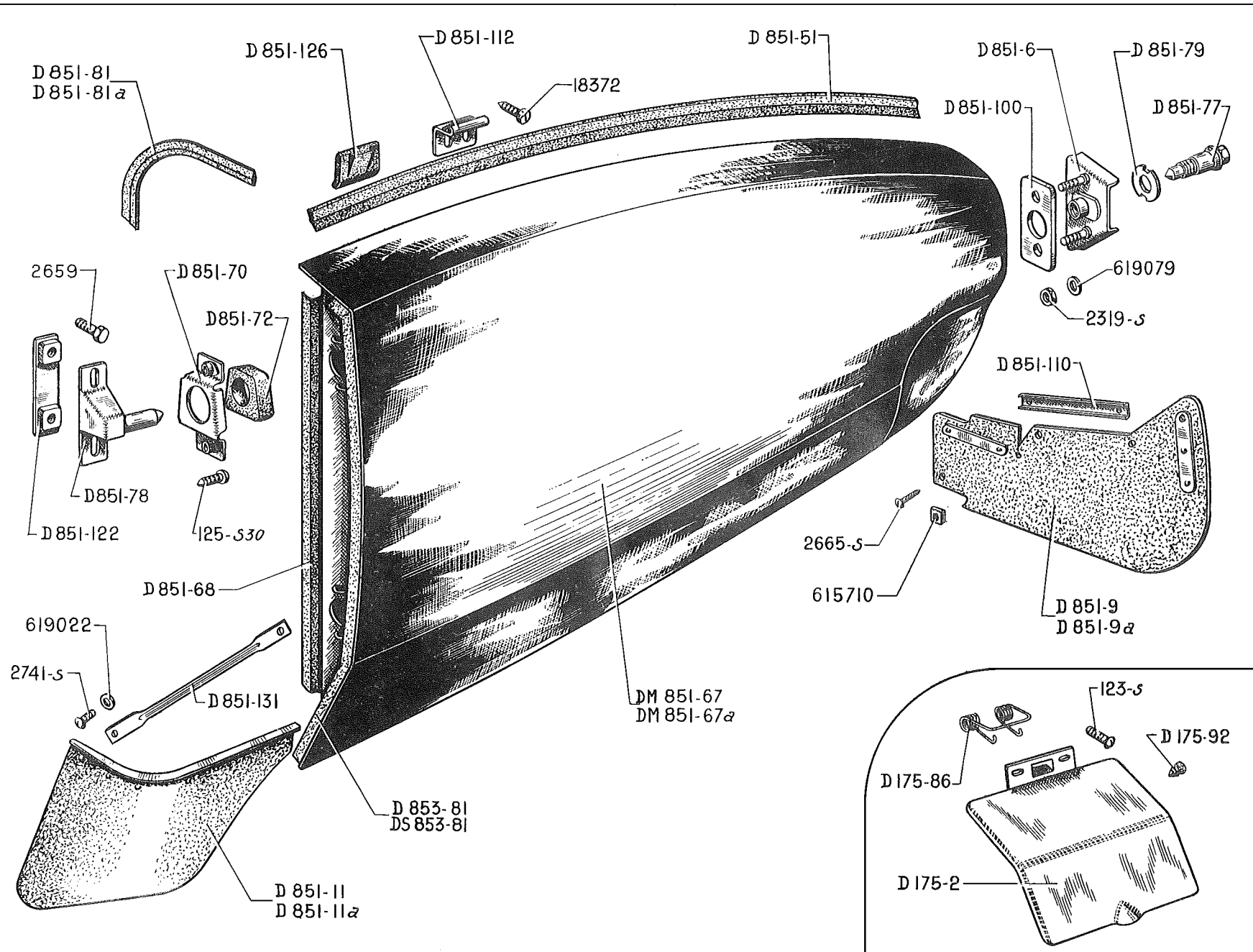
NUMBER	DESCRIPTION	No. OFF	NUMBER	DESCRIPTION	No. OFF	NUMBER	DESCRIPTION	No. OFF
DS 982-68c	Lining, right-hand, for sound deadening wing valance, rear part (R. VI).	1	538-S	Screw, hex. head, 9 diameter x 25 long, securing wing on reinforcement for finishing panel (R. III).	2	619.755	Clip, for securing sealing rubber between wing and bonnet (R. VI).	28
DS 982-69b	Lining, left-hand, for sound deadening wing valance, front part (R. VI).	1	1.062-S	Grommet for centring shield (R. III).	2	619.764	<i>Clip, securing sound deadening lining (R. VI). No longer supplied.</i>	21
DS 982-69c	Lining, right-hand, for sound deadening wing valance, front part (R. VI).	1	2.270-S	Screw, 4 diameter x 14 long, securing grille (R. VI).	2	619.793	Clip, securing sound deadening lining (R. VI).	8
DS 982-109	Lining for sound deadening wing valance, left-hand. Until August 1961.	1	2.312-S	Washer, plain. 5.5 x 9, for screws securing closing plate on wing (R. III).	14	621.062	Screw, hex. head, 5 diameter x 14 long, securing clamp retaining oil-can (R. III).	2
DS 982-109a	Lining for sound deadening wing valance, right-hand.	1	2.334-S	Washer, shakeproof, 5.2 x 9.4, for screws securing closing plate on wing (R. VI).	14	SPECIAL PARTS CABRIOLET		
DW 982-109	Lining for sound deadening wing valance, left-hand. Since August 1961.	1	2.659	Screw, hex. head, 5 diameter x 13 long, securing wing support on crossmember (R. III).	4	DS 854-42b	Section for bottom of body with clips on front wing, left-hand (R. VI).	1
124-S 30	Screw, round head, 5 diameter x 12.5 long, securing closing plate on wing (R. III).	14	2.741-S	Screw, round head, 4.85 x 9.5, securing backplate for wing mudflap (R. VI).	4	DS 854-42c	Section for bottom of body with clips on front wing, right-hand (R. VI).	1
483-S	Screw, hex. head, 7 diameter x 15 long, securing wing support on finishing panel (R. III).	4	233.400	Sealing plug for wing side (R. IV).	2	DS 854-45b	Section for embellishment with clips on wing angle, left-hand (R. VI).	1
521-S	Screw, hex. head, 9 diameter x 16 long, securing wing on front crossmember (R. III).	2	615.730	Nut, locking screw, securing grille (R. VI).	6	DS 854-45c	Section for embellishment with clips on wing angle, right-hand (R. VI).	1
			619.067	Washer, 7.5 x 30 x 2, for centring support for wing (R. IV).	4			



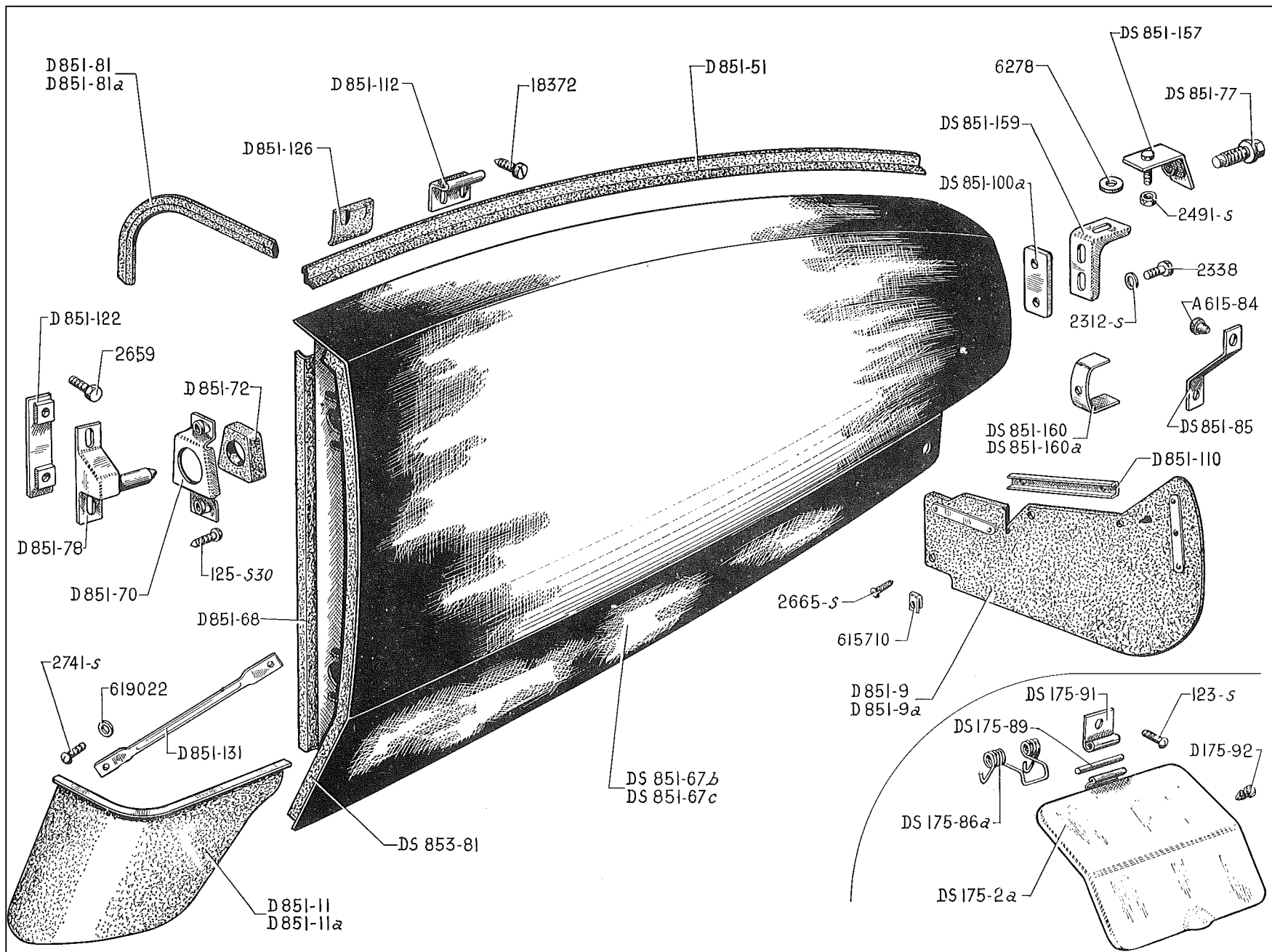
328-FRONT WINGS

NUMBER	DESCRIPTION	No. OFF	NUMBER	DESCRIPTION	No. OFF	NUMBER	DESCRIPTION	No. OFF
	Since September 1962							
DS 443-64	Sealing strip for opening of steering relay.	2	D 851-83	Sealing strip, rubber, 385 mm long: - wing valance front part. - wing valance rear part.	2 2	<u>DS854-136b</u>	Plate for securing shaped embellisher on front wing (R. VI). PALLAS.	2
DM 443-65	Sealing plate, rubber, for steering relay passage.	2	DS 851-86	Screw fixing centring support on wing, length under head 20 mm.	4	DS 861-189	Clip securing trimming on wing.	1
DM 443-82	Strip, front, for securing trimming, hole centres 61 mm.	4	D 851-89	Rubber sleeve for centring wing positioning spigot.	4	530-S 30	Screw, hex. head, 9 x 22, for securing wing on finishing panel (R. III).	4
DM 443-84	Sealing strip, rear, for securing trimming, hole centres 78 mm.	4	D 851-95	Sealing strip, rubber, between wing and bonnet, 1.350 mm long.	2	2.370-S	Nut, 9 x 125, for securing wing on finishing panel (R. III).	4
DS 625-1	Bracket for oil-can.	1	<u>DS 851-109</u>	Sealing strip between wing and protecting shield (R. VI). Since June 1965.	2	2.389-S	Washer, shakeproof, 9.5 x 16.5, for securing wing on finishing panel (R. VI).	4
D 851-4	Mudflap for wing, 160 mm long.	2	D 851-113	Plate, 26 x 80 for reinforcing mudflap.	2	2.741-S	Screw, round head, 4.85 x 9.5, for securing mudflap backplate (R. VI).	4
DS 851-57	Trimming for front lining, front part, 377 mm long.	2	<u>DS 851-132</u>	Sealing strip between front wing and caisson, 125 mm long. Since July 1965.	2	618.745	Rivet, P. O. P. for securing trimming on wing (R. VI).	20
DS 851-60f	<i>Front wing, left-hand. Until June 1965. Replaced by DX 851-60c; order in addition: 1-DS 851-109 (R. VI).</i>	1	DS 851-139	Rubber sealing between wing and front bumpers, left-hand (R. VI).	1	619.067	Washer, 7.5 x 30 x 2, for centring support on wing (R. IV).	4
DS 851-60g	<i>Front wing, right-hand. Until June 1965. Replaced by DX 851-61c; order in addition: 1-DS 851-109 (R. VI).</i>	1	DS 851-139a	Rubber sealing between wing and front bumpers, right-hand (R. VI).	1	619.755	Clip securing rubber sealing strip between wing and bonnet (R. VI).	28
<u>DX 851-60c</u>	Front wing, with reinforcement on inside of wing valance, left-hand. Since June 1965.	1	DS 851-142a	Rubber sealing between wing and lateral scuttle panel.	2	619.817	Clip (R. VI) for securing: - rubber between wing and front bumpers. - rubber on lateral panel.	8 18
<u>DX 851-61c</u>	Front wing, with reinforcement on inside of wing valance, right-hand. Since June 1965.	1	DS 851-149	Centring support (only) for spigot on wing, secured by one central screw.	4	<u>619.827</u>	Clip, for shaped embellisher, lower, front wing (R. VI). PALLAS.	4
D 851-61	Thrust washer, 25 x 44, for spigot spring on wing.	4	DS 851-151	Washer locking centring support on wing.	4		SPECIAL PARTS CABRIOLET	
DS 851-62	Support, adjustable, with rubber and spring for central spigot, secured by one central screw.	4	<u>DS 854-28</u>	Shaped embellisher, upper, for front wing, 262 mm long, left-hand (R. VI). PALLAS.	1	DS 854-42b	Section for bottom of body with clips on front wing, left-hand (R. VI).	1
DS 851-63	Thrust spring for wing spigot, external diameter 44 mm (4 coils).	4	<u>DS 854-28a</u>	Shaped embellisher, upper, for front wing, 262 mm long, right-hand (R. VI). PALLAS.	1	DS 854-42c	Section for bottom of body with clips on front wing, right-hand (R. VI).	1
DS 851-79	<i>Sealing strip between front wing and caisson, 188 mm long. February 1962 - July 1965. Replaced by 1-DX 851-79 left-hand, or 1-DX 851-79a right-hand.</i>	1	<u>DS 854-129</u>	Shaped embellisher, lower, for front wing, 237 mm long, left-hand (R. VI). PALLAS.	1	DS 854-45b	Section for embellishment with clips on wing angle, left-hand (R. VI).	1
<u>DX 851-79</u>	Sealing strip between front wing and caisson, left-hand. Since July 1965.	1	<u>DS 854-129a</u>	Shaped embellisher, lower, for front wing, 237 mm long, right-hand (R. VI). PALLAS.	1	DS 854-45c	Section for embellishment with clips on wing angle, right-hand (R. VI).	1
<u>DX 851-79a</u>	Sealing strip between front wing and caisson, right-hand. Since July 1965.	1	<u>DS 854-136a</u>	Plate for securing shaped embellisher on front wing (R. VI). PALLAS.	2			

330-REAR WINGS



NUMBER	DESCRIPTION	No. OFF	NUMBER	DESCRIPTION	No. OFF	NUMBER	DESCRIPTION	No. OFF
	Until July 1959							
D 175-2	Panel, hinged, covering petrol tank filler.	1	D 851-70	Support for centring wing (fixing on wing).	4	D 851-131	Tie-rod for wing 178 mm long.	2
D 175-86	Spring for panel covering petrol tank filler.	1	D 851-72	Stop, rubber 31 x 35 x 40 for centring wing spigots.	4	D 853-81	Rubber forming seal between wing and rear door 690 mm long. Until August 1958.	2
D 175-92	Stop, rubber, for panel covering petrol tank filler (14 mm long).	2	D 851-77	Screw securing wing, 57 mm long, length under head 47 mm.	2	DS 853-81	Rubber forming seal between wing and rear door 690 mm long. Since August 1958.	2
D 851-6	Support securing wing on rear panel.	2	D 851-78	Spigot for positioning wing.	2	123-S	Screw, round head 5 diameter 10 long securing petrol tank filler cover (R. III).	2
D 851-9	Rear wing mudflap, left-hand, 430 mm long.	1	D 851-79	Washer retaining screw securing wing.	2	125-S-30	Screw, round head 5 diameter 15 long securing support for centring wing (R. III).	8
D 851-9a	Rear wing mudflap, right-hand, 430 mm long.	1	D 851-81	Sealing rubber, left hand, between wing and panel connecting wheel-arch to rear panel.	1	2.319-S	Nut, hex. 5 diameter 75 pitch locking adjustable support (R. III).	4
D 851-11	Front mudflap for rear wing, left-hand, 375 mm long.	1	D 851-81a	Sealing rubber, right hand, between wing and panel connecting wheel-arch to rear panel.	1	2.659	Screw, hex head 5 diameter 13 long securing support for wing spigot (R. III).	4
D 851-11a	Front mudflap for rear wing, right-hand, 375 mm long.	1	D 851-100	Plate securing adjustable support on rear panel 58 mm long 36 mm wide.	2	2.665-S	Screw, P.K. 5 diameter 16 long securing wing mudflap (R. VI).	4
D 851-51	Upper sealing rubber for wing on wheel arch, 880 mm long.	2	D 851-110	Reinforcement securing mudflap on rear panel, 190 mm long.	2	2.741-S	Screw, round head 4.85 x 9.5 securing wing tie-rod (R. VI).	2
DM 851-67	Rear wing, left-hand.	1	D 851-112	Plate securing wing at the upper rear end.	2	18.372	Screw, square head 5 diameter 12.5 long securing wing retaining plate (R. III).	4
DM 851-67a	Rear wing, right-hand.	1	D 851-122	Plate securing spigot for positioning wing.	2	615.710	Nut clips for 4.85 diameter screws (R. VI) securing: - wing tie-rod. - wing mudflap.	2 6
D 851-68	Sealing rubber on closing panel at front of wing.	2	D 851-126	Sealing rubber for wing 25 x 40 (R. VI).	2	619.022	Washer 5.5 x 14 x 1 for wing tie-rod (R. III).	4
						619.079	Washer 5.5 x 12 x 2 for adjustable support (R. IV).	As nec.

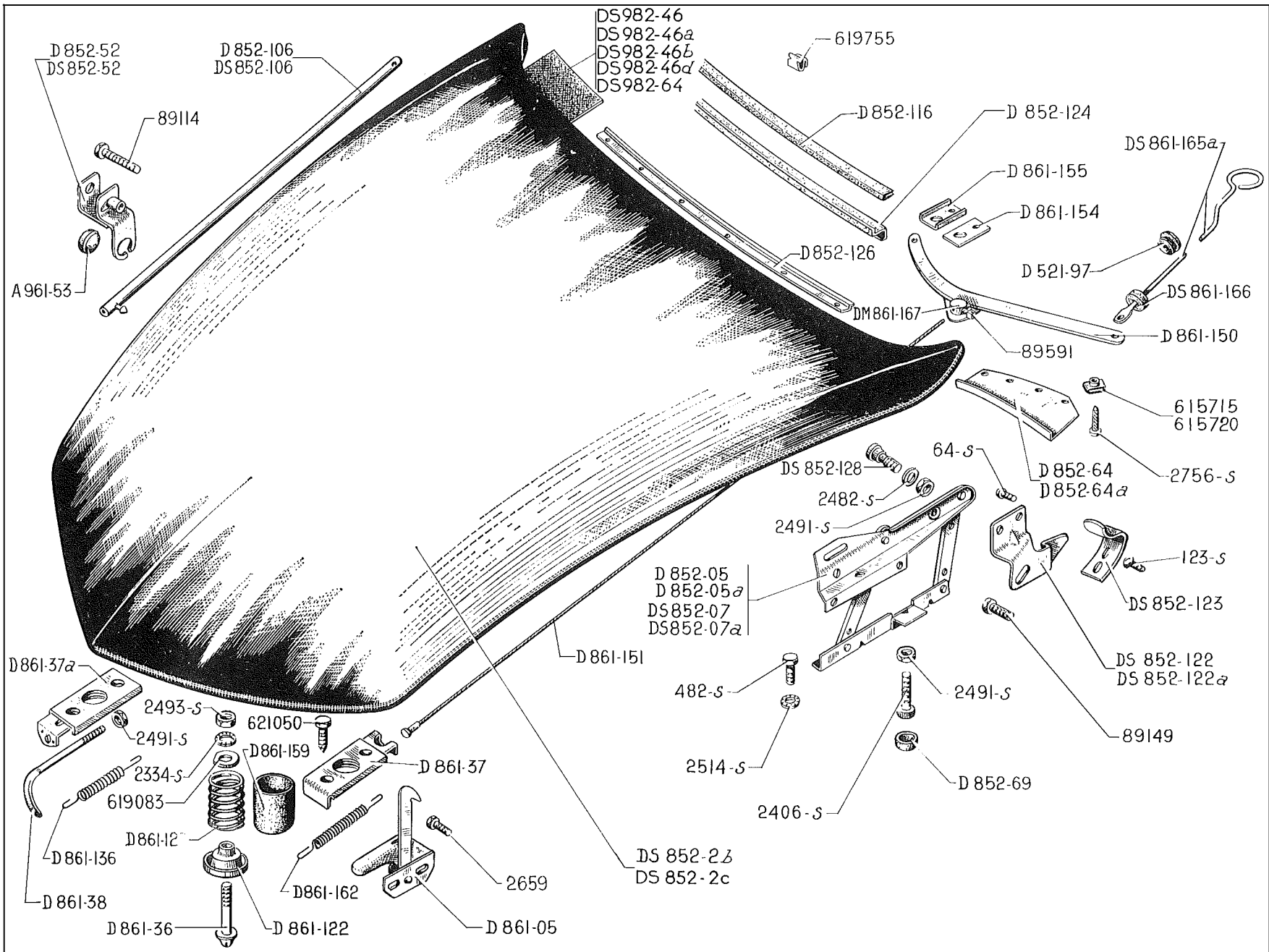


332-REAR WINGS

NUMBER	DESCRIPTION	No. OFF	NUMBER	DESCRIPTION	No. OFF	NUMBER	DESCRIPTION	No. OFF
	Since July 1959		D 851-70	Support for centring wing (fixing on wing).	4	DS 851-159	Support securing rear wing, 95 mm long, 50 mm wide (2 welded nuts 50 mm between centres).	2
A 615-84	Buffer, rubber, for rear wing.	2	D 851-72	Stop, rubber, 31 x 35 x 40, for centring wing spigots.	4	DS 851-160	Clamp securing reflector. Except U. S. A. Until November 1961.	2
DS 175-2a	<i>Panel, hinged, covering petrol tank filler. Replaced by DS 175-2b; order in addition: 1-DS 175-86b, 2-DX 175-94.</i>	1	DS 851-77	Screw, securing wing, length under head 21 mm.	2	DS 851-160a	Clamp securing reflector. U. S. A. Until November 1961.	2
DS 175-86a	Spring for panel covering petrol tank filler, length 44 mm.	1	D 851-78	Spigot for positioning wing.	2	DS 853-81	Rubber forming seal between wing and rear door, 690 mm long.	2
DS 175-89	Hinge pin securing cover.	1	D 851-81	Sealing rubber, left-hand, between wing and panel connecting wheel arch to rear panel.	1	<u>DS 854-29</u>	Shaped embellisher, central, for rear wing, 987 mm long, left-hand (R. VI). PALLAS.	1
DS 175-91	Lateral hinge for cover.	2	D 851-81a	Sealing rubber, right-hand, between wing and panel connecting wheel arch to rear panel.	1	<u>DS 854-29a</u>	Shaped embellisher, central, for rear wing, 987 mm long, right-hand (R. VI). PALLAS.	1
D 175-92	Stop, rubber, for panel covering petrol tank filler (14 mm long).	2	DS 851-85	Plate securing buffer for rear wing.	2	<u>DS 854-101a</u>	Washer, rubber, 2 x 15 x 3, for securing central embellisher. (R. VI). PALLAS.	4
D 851-9	Mudflap for rear wing, left-hand, 430 mm long.	1	DS 851-100a	Plate securing support for wing, 85 mm long, 50 mm wide, 2 holes 50 mm between centres.	2	<u>DS 854-127</u>	Shaped embellisher, upper, for rear wing, 318 mm long, (R. VI). PALLAS.	2
D 851-9a	Mudflap for rear wing, right-hand, 430 mm long.	1	D 851-110	Reinforcement securing mudflap on rear panel, 190 mm long.	2	<u>DS 854-130</u>	Shaped embellisher, lower, for rear wing, 920 mm long, left-hand (R. VI). PALLAS.	1
D 851-11	Front mudflap for rear wing, left-hand, 375 mm long. Until July 1964.	1	D 851-112	Plate retaining wing at the upper rear end.	2	<u>DS 854-130a</u>	Shaped embellisher, lower, for rear wing, 920 mm long, right-hand (R. VI). PALLAS.	1
D 851-11a	Front mudflap for rear wing, right-hand, 375 mm long. Until July 1964.	1	D 851-122	Plate securing spigot for positioning wing.	2	<u>DS 854-135</u>	Plate for securing lower embellisher, for rear wing (R. VI). PALLAS.	4
D 851-51	Upper sealing, rubber, for wing on wheel arch, 880 mm long.	2	D 851-126	Sealing rubber for wing, 25 x 40 (R. VI).	2	123-S	Screw, round head, 5 diameter x 10 long, securing petrol tank filler cover (R. III).	2
DS 851-67b	Rear wing, left-hand, with hole 54 x 70, for embedded reflector. Until July 1964.	1	<u>DF 851-127</u>	Front mudflap for rear wing. Since July 1964.	2	125-S 30	Screw, round head, 5 diameter x 15 long, securing support for centring wing (R. III).	8
DS 851-67c	Rear wing, right-hand, with hole 54 x 70, for embedded reflector. Until July 1964.	1	<u>DF 851-128</u>	Plate for securing front mudflap. Since July 1964.	2	<u>2.219-S</u>	Nut, hex., 3 x 60, for securing lower shaped embellisher on rear wing (R. III). PALLAS.	4
<u>DS 851-67d</u>	Rear wing, without reinforcement for securing mudflap, front, left-hand. Since July 1964.	1	D 851-131	Tie-rod for wing, 178 mm long. Until July 1964.	2	2.312-S	Washer, 5.5 x 9, securing wing support (R. III).	2
<u>DS 851-67e</u>	Rear wing, without reinforcement for securing mudflap, front, right-hand. Since July 1964.	1	<u>DF 851-144</u>	Plate for holding front mudflap. Since July 1964.	2	2.338	Screw, hex. head, 5 diameter x 20 long, securing wing support (R. III).	4
D 851-68	Sealing rubber on closing panel at front of wing.	2	DS 851-157	Plate securing wing, 51 mm long, 35 mm wide (1 screw and 1 nut welded).	2	<u>2.491-S</u>	Nut, hex., 7 diameter x 100 pitch, locking wing support (R. III).	2

332a—REAR WINGS

NUMBER	DESCRIPTION	No. OFF	NUMBER	DESCRIPTION	No. OFF	NUMBER	DESCRIPTION	No. OFF
2.659	Screw, hex. head, 5 diameter x 13 long, securing support for wing spigot (R. III).	4	619.022	Washer, 5.5 x 14 x 1, for wing tie-rod (R. III).	4	DS 851-43	End piece for rear of rear wing, left-hand (R. VI).	1
2.665-S	Screw, P.K. 5 diameter x 16 long, securing wing mudflap (R. VI).	4	<u>619.140</u>	Washer, plain, 3.5 x 12 x 1 for wing stay (R. III). PALLAS.	4	DS 851-43a	End piece for rear of rear wing, right-hand (R. VI).	1
2.741-S	Screw, round head, 4.85 x 9.5, securing wing tie-rod (R. VI).	2	<u>619.827</u>	Clip for shaped portion, lower, rear wing (R. VI). PALLAS.	14	DS 854-43b	Embellishing channel on angle of rear wing, left-hand (R. VI).	1
6.278	Washer, 7.5 x 20 x 2, for adjustable support (R. IV).	2				DS 854-43c	Embellishing channel on angle of rear wing, right-hand (R. VI).	1
18.372	Screw, hex. head, 5 diameter x 12.5 long, securing plate retaining wing (R. III).	4		SPECIAL PARTS CABRIOLET		DS 854-35	Block for rear wing, left-hand (R. VI).	1
615.710	Nut clip for 4.85 diameter screw (R. VI) securing: - wing tie-rod. Until July 1964. - wing mudflap.	2 6	DS 851-03	Rear wing, left-hand.	1	DS 854-35a	Block for rear wing, right-hand (R. VI).	1
			DS 851-03a	Rear wing, right-hand.	1			

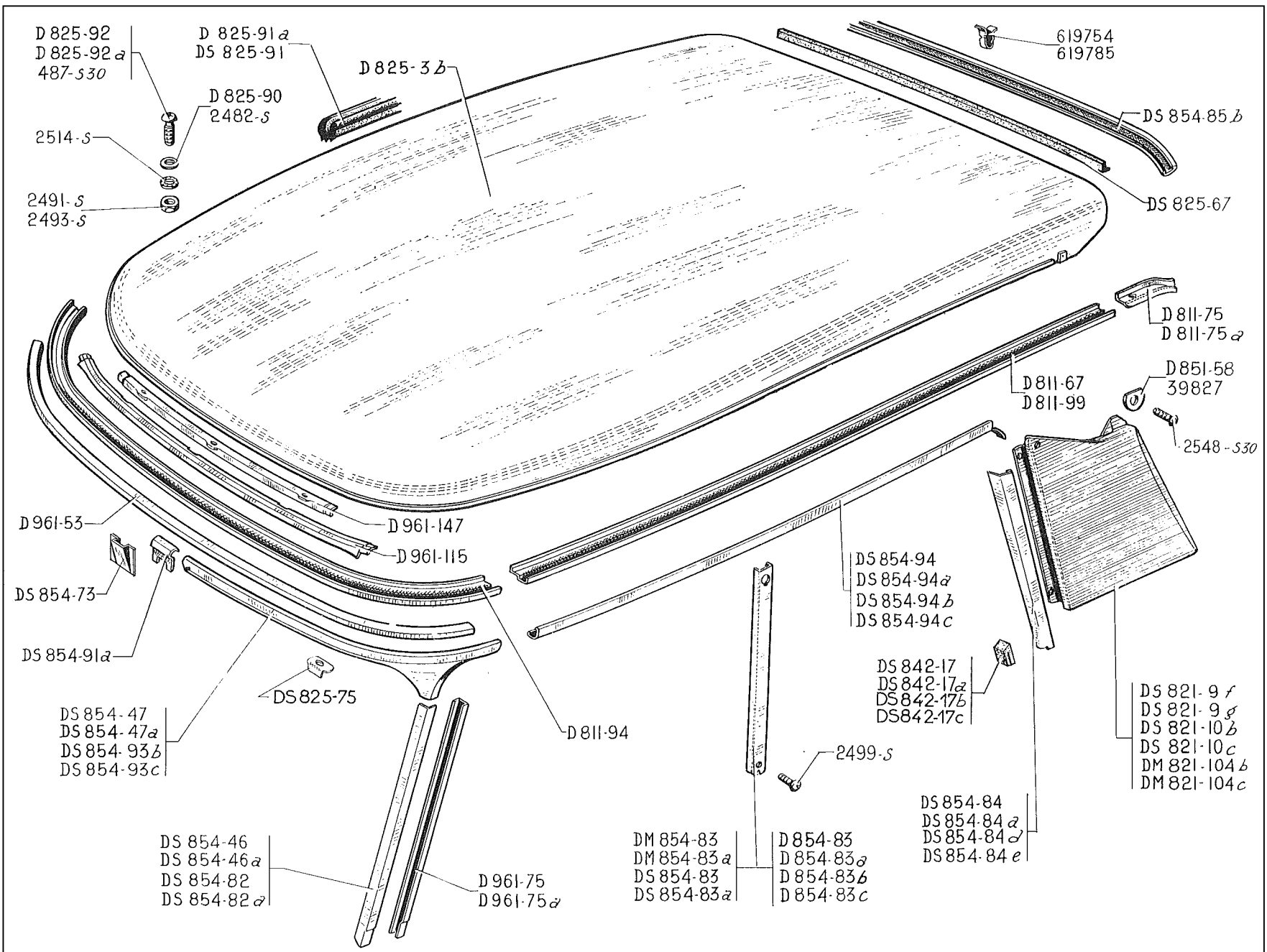


NUMBER	DESCRIPTION	No. OFF	NUMBER	DESCRIPTION	No. OFF	NUMBER	DESCRIPTION	No. OFF
A 961-53	Anchor catch (rubber).	1	D 852-106	Stay, 720 mm long, left-hand fixing. Until October 1957.	1	<u>DX 861-149</u>	Unlocking lever, left-hand. Since July 1965.	1
D 521-97	Grommet, rubber 6 x 20 x 11, for control on dashboard.	1	DS 852-106	Stay, 785 mm long, right-hand fixing. Since October 1957.	1	D 861-150	<i>Unlocking lever (2 holes 3.25 mm at 223 mm centres). Until July 1965. Replaced by DX 861-149 left-hand or DX 861-150 right-hand.</i>	2
D 852-05	Hinge, left-hand, 144 mm between fixing centres. Until March 1957.	1	D 852-116	Rear sealing strip, rubber, (1,500 mm long) ("U" section).	1	<u>DX 861-150</u>	Unlocking lever, right-hand. Since July 1965.	1
D 852-05a	Hinge, right-hand, 144 mm between fixing centres. Until March 1957.	1	DS 852-122	Retaining catch, left-hand.	1	D 861-151	Cable connecting bonnet lock to control lever (R. VI).	2
DS 852-07	Hinge, left-hand, 163 mm between fixing centres. Since March 1957.	1	DS 852-122a	Retaining catch, right-hand.	1	D 861-154	Rubber pad, 22 x 39, for unlocking control. Until September 1962.	1
DS 852-07a	Hinge, right-hand, 163 mm between fixing centres. Since March 1957.	1	DS 852-123	Hook for retaining catch.	2	D 861-155	Plate securing rubber pad for unlocking control. Until September 1962.	1
DS 852-2b	Bonnet, only, securing right-hand stay. Until September 1962. Replaces earlier model; order in addition: 1-DS 182-68a, 1-DS 852-52, 1-DS 852-106.	1	D 852-124	Sealing strip, rear.	1	D 861-159	Anti-rattle cover for bonnet closing spring (R. VI).	2
DS 852-2c	<i>Bonnet, only, without front cross-member. September 1962 - September 1964. Replaced by DS 852-2d; order in addition: 1-DS 961-146c.</i>	1	DS 852-126	Strip securing sealing strip, 1,390 mm long.	1	D 861-162	Return spring for locking catch, left-hand.	2
<u>DS 852-2d</u>	<i>Engine bonnet only. September 1964 - July 1965. Replaced by DX 852-2.</i>	1	DS 852-128	Hinge pin for stay, length under head 18 mm, plain portion 9.8, threaded 7 diameter x 100 pitch.	2	DS 861-165a	<i>Unlocking control, only. Until July 1965. Replaced by DX 861-165.</i>	2
<u>DX 852-2</u>	Engine bonnet only. Since July 1965.	1	D 861-05	Safety lock.	1	<u>DS 861-165b</u>	Unlocking control for bonnet. PALLAS. Until July 1965.	1
D 852-52	Anchor plate for stay, right-hand fixing. Until February 1965.	1	D 861-36	Bolt for bonnet closure, 74 mm long.	2	<u>DS 861-165c</u>	Unlocking control for bonnet. PALLAS. Since July 1965.	1
DS 852-52	Anchor plate for stay, right-hand fixing October 1957 - February 1965.	1	D 861-37	Lock for bonnet, without spring: - left-hand. - right-hand. Since September 1962.	1 1	<u>DX 861-165</u>	Unlocking control. Since July 1965.	1
D 852-64	Support, left-hand, for rear sealing strip.	1	D 861-37a	Lock, right-hand for bonnet, without spring. Until September 1962.	1	DS 861-166	Sealing bush for unlocking control.	2
D 852-64a	Support, right-hand, for rear sealing strip.	1	D 861-38	Control for lock, right-hand. Until September 1962.	1	DM 861-167	Trunnion for control lever cable (R. VI).	2
D 852-69	Buffer, rubber, at rear of bonnet.	3	<u>D 861-84</u>	Washer, fibre, 7.5 x 17 x 1, for central buffer (R. VI). Since September 1964.	1	DS 982-46	<i>Front and central lining for bonnet. September 1962 - September 1964. Replaced by DS 982-46e; order in addition: 1-DS 982-46f, 1-DS 982-46g.</i>	1
			D 861-122	Thrust cup, 7.5 x 40 x 12, for bonnet closure spring.	2			
			D 861-123	Spring for bonnet closure, 35 mm diameter.	2			
			D 861-136	Return spring for lock catch, right-hand. Until September 1962.	1			

The numbers underlined indicate new parts which do not appear on the illustration.

336-BONNET

NUMBER	DESCRIPTION	No. OFF	NUMBER	DESCRIPTION	No. OFF	NUMBER	DESCRIPTION	No. OFF
DS 982-46a	<i>Rear lateral lining for bonnet. September 1962 - March 1965. No longer supplied.</i>	1	2.334-S	Washer, shakeproof, 5.2 x 9.4, for lock catch spring (R. VI).	1	89.114	<i>Screw, hex. head, 5 diameter x 25 long, securing bonnet stay (R. IV). Replaced by 285-S 30.</i>	1
DS 982-46b	<i>Front lateral lining for bonnet, right-hand. September 1962 - March 1965. Replaced by DS 982-46g.</i>	1	2.406-S	Screw, cylindrical head, 7 diameter x 25 long, securing rear buffer (R. III).	2	89.149	Screw, hex. head, 5 diameter x 18 long, securing retaining catch (R. III).	2
DS 982-46d	<i>Lateral lining, left-hand. September 1962 - March 1965. Replaced by DS 982-46f.</i>	1	<u>2414-S</u>	Screw, cylindrical head, 7 x 60, for central buffer (R. III). Since September 1964.	1	89.591	Screw, square head, 4 diameter x 8 long, for cable trunnion (R. III).	2
<u>DS 982-46e</u>	Central lining for bonnet. Since September 1964.	1	2.482-S	Washer, 7.5 x 14, for hinge pin (R. III). Until April 1965.	2	615.715	Nut clips for 3.5 diameter screws, securing support for bonnet lining (R. VI).	10
<u>DS 982-46f</u>	Lateral lining for bonnet, left-hand. Since March 1965.	1	2.491-S	Nut, hex. 7 diameter x 100 pitch, securing rear buffer (R. III).	4	615.720	Nut clips for 4 diameter screws securing retaining catch (R. VI).	4
<u>DS 982-46g</u>	Lateral lining for bonnet, right-hand. Since March 1965.	1	2.493-S	Nut, hex., 7 diameter x 100 pitch, for locking bonnet closure bolt (R. III).	4	619.083	Washer with flat, 7.5 x 25 x 2, for bonnet retaining catch (R. IV).	4
DS 982-64	Central sound deadening lining. Until January 1960.	1	2.514-S	Washer, shakeproof, 7.3 x 12, securing hinge pin on bonnet and front pillar (R. VI).	10	619.755	Clip securing rear sealing strip (R. VI).	4
64-S	<i>Screw, round head, 4 diameter x 12.5 long, securing retaining catch (R. III). Replaced by 2.241-S (R. VI).</i>	4	2.659	<i>Screw, hex. head, 5 diameter x 13 long, securing safety lock for bonnet (R. III). Replaced by 283-S.</i>	2	621.050	Screw, hex. head, pointed, 5 diameter x 20 long, securing bonnet catch (R. IV).	4
123-S	Screw, round head, 5 diameter x 10 long, securing hook for retaining catch (R. III).	4	2.756-S	Screw, round head, 3.5 x 9.5, securing rear sealing strip (R. VI).	10	<u>624.025</u>	Washer, flexible, 10.5 x 21 x 1 for securing hinge bracket (R. VI). Since April 1965.	4
482-S	Screw, hex. head, 7 diameter x 12.5 long, securing hinge on bonnet and front pillar (R. III).	10						



NUMBER	DESCRIPTION	No. OFF	NUMBER	DESCRIPTION	No. OFF	NUMBER	DESCRIPTION	No. OFF
D 811-67	Cant rail for roof panel, right-hand.	1	D 825-3b	Roof (aluminium) with securing moulding, without lining, unpainted. Since July 1957. Replaces plastic roof, order in addition: 1-D 825-91a.	1	<u>DS 954-10</u>	Monogram "S" on rear quarter, left-hand (R. VI). PALLAS.	1
D 811-75	Extension for roof cant rail, left-hand.	1	DS 825-67	Rear sealing strip, rubber, 1,670 mm long.	1	<u>DS 954-10a</u>	Monogram "S" on rear quarter, right-hand (R. VI). PALLAS.	1
D 811-75a	Extension for roof cant rail, right-hand.	1	DS 825-75	Plate securing roof on front pillar (R. VI).	2	DS 854-46	Finisher, upper, for front pillar, left-hand (R. VI). CABRIOLET.	1
D 811-94	Cant rail for roof panel, front part.	1	D 825-90	Washer with flat, 7.5 x 20, securing roof.	17	DS 854-46a	Finisher, upper, for front pillar, right-hand (R. VI). CABRIOLET.	1
D 811-99	Cant rail for roof panel, left-hand.	1	D 825-91a	Sealing strip, rubber, for aluminium roof, 4,100 mm long.	1	DS 854-47	Finisher, for upper windscreen crossmember, left-hand (R. VI). CABRIOLET.	1
DS 821-9f	Panel for rear quarter (fluted), single plate fixing at the upper part, width of flute 6 mm left-hand. BERLINE.	1	DS 825-91	Sealing strip, rubber, for plastic roof, 4,100 mm long.	1	DS 854-47a	Finisher, for upper windscreen crossmember, right-hand (R. VI). CABRIOLET.	1
DS 821-9g	Panel for rear quarter (fluted), single plate fixing at the upper part, width of flute 6 mm, right-hand. BERLINE.	1	D 825-92	Screw, raised head countersunk, 7 diameter x 20 long, securing roof (R. VI). Until May 1961.	12	<u>DS 854-68</u>	Finisher for centre pillar, with trimming, left-hand (R. VI). PALLAS.	1
<u>DS 821-9h</u>	Panel for rear quarter, left-hand. PALLAS.	1	D 825-92a	Screw, round head, slotted, with flat, 7 diameter x 25 long, securing roof. Until May 1961.	5	<u>DS 854-69</u>	Finisher for centre pillar, with trimming, right-hand (R. VI). PALLAS.	1
<u>DS 821-9i</u>	Panel for rear quarter, right-hand. PALLAS.	1	DS 842-17	<i>Buffer, rubber, between quarter panel and rear pillar, 12 mm long, left-hand. Until October 1962. Replaced by DS 842-17b.</i>	1	DS 854-73	Plate securing cover joint on roof moulding.	1
DS 821-10b	Panel for rear quarter (plain), without fixing plate at the upper part, for long chrome direction indicator, left-hand. BERLINE. Until February 1958.	1	DS 842-17a	Buffer, rubber, between quarter panel and rear pillar, 12 mm long, right-hand. Until October 1962.	1	DS 854-82	Finisher, upper for front pillar, left-hand. BERLINE.	1
DS 821-10c	Panel for rear quarter (plain), without fixing plate at the upper part, for long chrome direction indicator, right-hand. BERLINE. Until February 1958.	1	DS 842-17b	Buffer, rubber, between quarter panel and rear pillar, 9 mm long, left-hand. Since October 1962.	1	DS 854-82a	Finisher, upper for front pillar, right-hand. BERLINE.	1
DM 821-104b	Panel for rear quarter, left-hand (plain) single plate fixing at the upper part, for short chrome direction indicator, left-hand. BERLINE. Since February 1958. PRESTIGE. Since June 1959.	1	DS 842-17c	Buffer, rubber, between quarter panel and rear pillar, 9 mm long, right-hand. Since October 1962.	1	D 854-83	Finisher (fluted) for centre pillar, with hole for parking light, width of flute 6 mm, left-hand. Until August 1961.	1
DM 821-104c	Panel for rear quarter (plain), single plate fixing at the upper part, for short chrome direction indicator, right-hand. BERLINE. Since February 1958. PRESTIGE. Since June 1959.	1	D 851-58	Washer, 5.5 x 28 x 2 securing quarter panel.	4	D 854-83a	Finisher (fluted), for centre pillar, with hole for parking light, width of flute 6 mm, right-hand. Until August 1961.	1
			DS 854-46	Finisher, upper, for front pillar, left-hand (R. VI). CABRIOLET.	1	D 854-83b	Finisher (plain), for centre pillar, left-hand. BERLINE. February 1958 - August 1961. PRESTIGE. June 1959 - August 1961.	1
			<u>DS 854-9</u>	Monogram "D" on rear quarter, left-hand (R. VI). PALLAS.	1			
			<u>DS 854-9a</u>	Monogram "D" on rear quarter, right-hand (R. VI). PALLAS.	1			

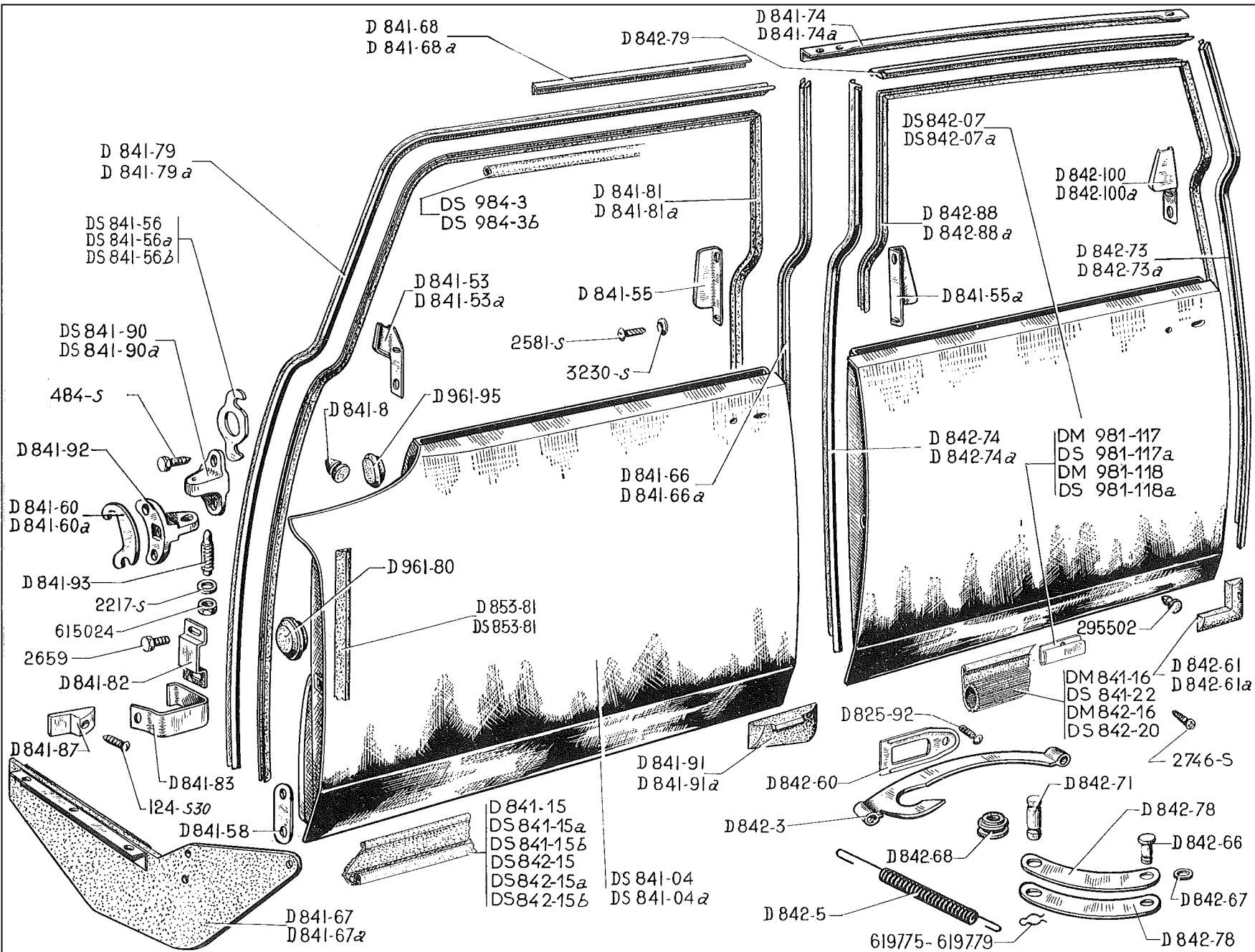
The numbers underlined indicate new parts which do not appear on the illustration.

Catalogue No. 466 - March 1966.

340-ROOF

NUMBER	DESCRIPTION	No. OFF	NUMBER	DESCRIPTION	No. OFF	NUMBER	DESCRIPTION	No. OFF
D 854-83c	Finisher (plain), for centre pillar, right-hand. BERLINE. February 1958 - August 1961. PRESTIGE. June 1959 - August 1961.	1	DS 854-91a	Cover joint for finishing moulding at front of roof.	1	487-S 30	Screw, hex. head 7 diameter x 25 long, securing roof (R. III). Since May 1961.	12
DM 854-83	Finisher (plain) for centre pillar, without hole for parking light, left-hand. Since August 1961.	1	DS 854-93b	Finishing moulding for front of roof, left-hand. BERLINE.	1	2.482-S	Washer, 7.5 x 14 for screws securing roof (R. III).	5
DM 854-83a	Finisher (plain) for centre pillar, without hole for parking light, right-hand. Since August 1961.	1	DS 854-93c	Finishing moulding for front of roof, right-hand. BERLINE.	1	2.491-S	Nut, hex., 7 diameter x 100 pitch, locking screws securing roof (R. III).	3
DS 854-83	Finisher (fluted) for centre pillar, without hole for parking light, width of flute 6 mm, left-hand. U. S. A. (R. VI). All types. Since August 1961.	1	DS 854-94	Finishing moulding lateral for siderail, for direction indicator light, (short plastic), left-hand. Until September 1959.	1	2.493-S	Nut, hex., 7 diameter x 100 pitch locking screws securing roof (R. III).	2
DS 854-83a	Finisher (fluted) for centre pillar, without hole for parking light, width of flute 6 mm, right-hand. U. S. A. (R. VI). All types. Since August 1961.	1	DS 854-94a	Finishing moulding, lateral for siderail, for direction indicator light, (short plastic) right-hand. Until September 1959.	1	2.499-S	Screw, raised head countersunk 3.52 x 9.5 (R. III) securing: - quarter panel. 4 - front and centre finisher. 4	4 4
DS 854-84	Finisher, upper for rear pillar, for direction indicator light (plastic) left-hand. Until September 1959.	1	DS 854-94b	Finishing moulding lateral for siderail, for direction indicator light, (short chrome), left-hand. Since February 1958.	1	2.514-S	Washer, shakeproof, 7.3 x 12 for screws securing roof (R. VI). Until May 1961.	5
DS 854-84a	Finisher, upper for rear pillar, for direction indicator light (plastic), right-hand. Until September 1959.	1	DS 854-94c	Finishing moulding lateral for siderail, for direction indicator light, (short chrome), right-hand. Since February 1958.	1	2.548-S 30	Screw, round head, 5 x 16.5, for securing quarter panel (R. III).	2
DS 854-84d	Finisher, upper for rear pillar, left-hand. Since September 1959.	1	D 961-53	Surround (metal), upper, for windscreen.	1	39.827	Washer, 5 x 20 x 2 securing quarter panel (R. IV).	As nec.
DS 854-84e	Finisher, upper for rear pillar, right-hand. Since September 1959.	1	D 961-75	Surround (metal), lateral, for windscreen, left-hand.	1	<u>619.673</u>	Screw (inox) securing finisher to centre pillar and quarter panel (R. VI). PALLAS.	6
DS 854-85b	Rear finishing moulding for roof, for short chrome direction indicator, length 1.140 m.	1	D 961-75a	Surround (metal), lateral, for windscreen, right-hand.	1	619.754	Clip securing rear finishing strip for roof (plastic) (R. VI).	7
			D 961-115	Reinforcement, central, for windscreen surround (exterior part).	1	619.785	Clip securing rear finishing strip for roof (aluminium) (R. VI).	7
			D 961-147	Reinforcement, central, for windscreen surround (interior part).	1	<u>624.008</u>	Washer for securing monogram on quarter panel (R. VI). PALLAS.	8

342-DOORS FRONT AND REAR



NUMBER	DESCRIPTION	No. OFF	NUMBER	DESCRIPTION	No. OFF	NUMBER	DESCRIPTION	No. OFF
D 825-92	Screw, raised head countersunk, 7 diameter x 20 long, securing plate for door check strap (R. VI).	4	DS 841-56	Adjusting plate, 66 x 3.5 x 0.5 for pivot screw bracket.	As nec.	D 841-83	Door stop spring (open position).	2
DS 841-04	Front door, left-hand, without lock or window winder or pivot support.	1	DS 841-56a	Adjusting plate, 66 x 3.5 x 1 for pivot screw bracket.	As nec.	<u>DS 841-85</u>	Sealing strip for front door opening and roof siderail, 2,550 mm long (rose grey) (R. VI). PALLAS. Since March 1965.	2
DS 841-04a	Front door, right-hand, without lock or window winder or pivot support.	1	DS 841-56b	Adjusting plate, 66 x 3.5 x 1.5 for pivot screw bracket.	As nec.	<u>DS 841-85a</u>	Sealing strip for front door opening and roof siderail, 2,550 mm long (black) (R. VI). PALLAS. Since March 1965.	2
D 841-8	Flexible buffer for door opening, length 31.5 mm diameter 30 mm.	2	D 841-58	Plate 26 x 90 securing sealing strip on front pillar, 2 holes 5 mm diameter at 60 mm between centres.	2	<u>DS 841-86</u>	Sealing strip for door opening on centre and rear pillar, 1 m long (rose grey) PALLAS. Since March 1965.	6
D 841-15	<i>Sealing rubber lower for door, 950 mm long. Until October 1963. Replaced by DS 841-15a for left-hand or DS 841-15b for right-hand.</i>	2	D 841-60	Adjusting plate 41 x 63 x 1 for pivot screw bracket.	As nec.	D 841-87	Stop for front door, length 46 mm 2 dowels at 36 mm between centres (R. VI).	2
DS 841-15a	Sealing rubber, lower, for front door, 950 mm long, left-hand. Since October 1963.	1	D 841-60a	Adjusting plate 41 x 63 x 2 for pivot screw bracket.	As nec.	DS 841-90	Support, cupped, upper left-hand and lower right-hand for door hinge pin (50 mm between fixing centres).	4
DS 841-15b	Sealing rubber, lower, for front door, 950 mm long right-hand. Since October 1963.	1	D 841-66	Sealing strip for front door entrance, left-hand (for centre pillar).	1	DS 841-90a	Support, cupped, lower left-hand and upper right-hand for door hinge pin (50 mm between fixing centres).	4
DM 841-16	Sealing strip for bottom of front door (R. VI). U. S. A. Until September 1962.	2	D 841-66a	Sealing strip for front door entrance, right-hand (for centre pillar).	1	D 841-91	Sealing strip, lower, between front door left-hand and centre pillar.	1
DS 841-22	Sealing strip, lower, for front door, 937 mm long (R. VI). Since September 1962.	2	D 841-67	Sealing strip, lower, between front door and front wing, left-hand.	1	D 841-91a	Sealing strip, lower, between front door right-hand and centre pillar.	1
D 841-53	<i>Plate securing sealing for door entrance, on front pillar, left-hand. Until February 1958. No longer supplied.</i>	1	D 841-67a	Sealing strip, lower, between front door and front wing, right-hand.	1	D 841-92	Support for hinge pin screw, 42 mm between fixing centres.	8
D 841-53a	<i>Plate securing sealing for door entrance, on front pillar, right-hand. Until February 1958. No longer supplied.</i>	1	D 841-68	Reinforcement, upper, for front door entrance, left-hand.	1	D 841-93	Screw, 9 diameter 45 long for door hinge pin adjustment.	8
D 841-55	<i>Plate securing front left-hand and rear right-hand sealing strip for door entrance on centre pillar. Until February 1958. No longer supplied.</i>	2	D 841-68a	Reinforcement, upper, for front door entrance, right-hand.	1	DS 842-07	Rear door, left-hand, without lock or window winder or pivot support.	1
D 841-55a	<i>Plate securing front right-hand and rear left-hand sealing strip for door entrance on centre pillar. Until February 1958. No longer supplied.</i>	2	D 841-74	Reinforcement, upper, for rear door entrance, left-hand.	1	DS 842-07a	Rear door, right-hand, without lock, or window winder or pivot support.	1
			D 841-74a	Reinforcement, upper, for rear door entrance, right-hand.	1	D 842-3	Check strap for door (195 mm between fixing centres).	2
			D 841-79	Sealing strip for front door entrance, left-hand (for roof siderail and front pillar).	1	D 842-5	Spring, compensating, for door check strap, 270 mm long.	4
			D 841-79a	Sealing strip for front door entrance, right-hand (for roof siderail and front pillar).	1			
			D 841-81	Sealing strip for front door entrance, left-hand.	1			
			D 841-81a	Sealing strip for front door entrance, right-hand.	1			
			D 841-82	Flange securing door stop spring.	2			

The numbers underlined indicate new parts which do not appear on the illustration.

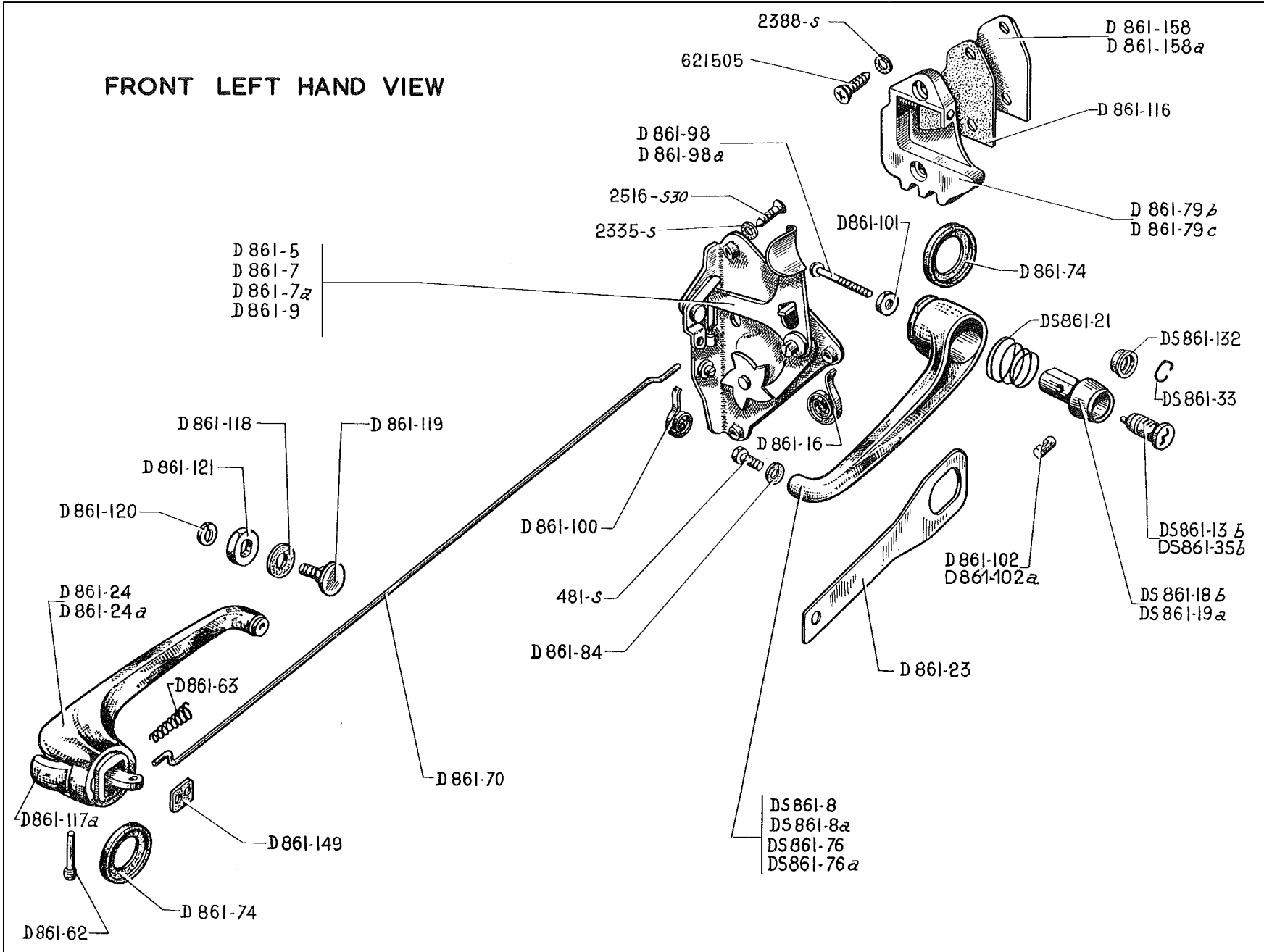
344-DOORS FRONT AND REAR

NUMBER	DESCRIPTION	No. OFF	NUMBER	DESCRIPTION	No. OFF	NUMBER	DESCRIPTION	No. OFF
D 842-15	<i>Sealing strip, rubber, lower for door, 850 mm long. Until October 1963. Replaced by DS 842-15a left-hand side or DS 842-15b right-hand side.</i>	2	D 842-71	Spindle for roller and for attaching door check strap spring, 10 mm diameter, length 37 mm, distance between centres of grooves 20 mm and 28.5 mm.	4	<u>DS 854-48</u>	Shaped central embellisher for front door, 1.10 m long, right-hand. (R. VI). PALLAS.	1
DS 842-15a	Sealing strip, rubber, lower, for rear door, 850 mm long, left-hand. Since October 1963.	1	D 842-73	Strip securing seal for rear door entrance, left-hand (for rear pillar).	1	<u>DS 854-48a</u>	Shaped central embellisher for front door, 1.10 m long, right-hand. (R. VI). PALLAS.	1
DS 842-15b	Sealing strip, rubber, lower, for rear door, 850 mm long, right-hand. Since October 1963.	1	D 842-73a	Strip securing seal for rear door entrance, right-hand (for rear pillar).	1	<u>DS 854-49</u>	Shaped central embellisher for rear door, 0.915 m long, left-hand. (R. VI). PALLAS.	1
DM 842-16	Sealing strip for bottom of rear door (R. VI). U.S.A. Until September 1962.	2	D 842-74	Strip securing seal for rear door entrance, left-hand (for centre pillar).	1	<u>DS 854-49a</u>	Shaped central embellisher for rear door, 0.915 m long, right-hand. (R. VI). PALLAS.	1
DS 842-20	Sealing strip, lower, for rear door, 821 mm long (R. VI). Since September 1962.	2	D 842-74a	Strip securing seal for rear door entrance, right-hand (for centre pillar).	1	<u>DS 854-101</u>	Rubber washer, 2 x 12 x 0.6, for securing embellishing strip (R. VI). PALLAS.	10
D 842-60	Securing plate for passage of check strap on rear door.	2	D 842-78	Link for door check strap, distance between fixing centres 127.5 mm.	4	<u>DS 854-101a</u>	Washer, rubber, 2 x 15 x 3 for securing central embellisher for door (R. VI). PALLAS.	16
<u>DS 842-60</u>	Securing plate for passage of check strap on door. PALLAS and CABRIOLET. Since September 1964.	2	<u>DS 842-78</u>	Link for door check strap, distance between fixing centres, 127.5 mm PALLAS and CABRIOLET. Since September 1964.	4	<u>DS 854-126</u>	Shaped embellisher, upper, for front door, 0.828 m long (R. VI). PALLAS.	2
D 842-61	Sealing strip, lower, between door and rear pillar, left-hand.	1	D 842-79	Strip, upper, for sealing strip for rear door entrance (for roof side-rail).	2	<u>DS 854-126a</u>	Shaped embellisher, upper, for rear door, 0.880 m long (R. VI). PALLAS.	2
D 842-61a	Sealing strip, lower, between door and rear pillar, right-hand.	1	D 842-88	Sealing strip for door entrance, left-hand.	1	<u>DS 854-131</u>	Shaped embellisher, lower, for front door, 1.045 m long, left-hand (R. VI). PALLAS.	1
D 842-66	<i>Pivot pin for door check strap link, 7 mm diameter, length under head 18 mm, 1 groove at 14.5 mm. Until December 1964. Replaced by DS 842-66a.</i>	2	D 842-88a	Sealing strip for door entrance, right-hand.	1	<u>DS 854-131a</u>	Shaped embellisher, lower, for front door, 1.045 m long, right-hand (R. VI). PALLAS.	1
<u>DS 842-66a</u>	Pivot pin for door check strap link, 7 mm diameter x 22 mm long. Since December 1964.	2	D 842-100	<i>Plate retaining strip for door entrance and rear pillar, left-hand. Until February 1958. No longer supplied.</i>	1	<u>DS 854-132</u>	Shaped embellisher, lower, for rear door, 0.891 m long, left-hand (R. VI). PALLAS.	1
<u>DS 842-66b</u>	Pivot pin for door check strap link, 7 mm diameter length under head 18 mm, 1 groove 14.5 mm. PALLAS and CABRIOLET. Since September 1964.	2	D 842-100a	<i>Plate retaining strip for door entrance and rear pillar, right-hand. Until February 1958. No longer supplied.</i>	1	<u>DS 854-132a</u>	Shaped embellisher, lower, for rear door, 0.891 m long, right-hand (R. VI). PALLAS.	1
D 842-67	Washer, 7.5 x 15 x 3, for door check strap link.	2	D 853-81	<i>Rubber seal for door. Until July 1958. Replaced by DS 853-81.</i>	4	<u>DS 854-135a</u>	Plate for securing shaped embellisher (R. VI). PALLAS.	4
D 842-68	Roller for door check strap (R. VI).	2	DS 853-81	Rubber sealing strip with wired rubber. Since July 1958.	4	<u>DS 854-136</u>	Plate for securing shaped embellisher to central pillar. (R. VI). PALLAS.	4
						D 961-80	Plug, round, 42 mm for lower hole for adjusting window channel.	8
						D 961-95	Plug, oval, 40 mm for upper hole for adjusting window channel.	8

NUMBER	DESCRIPTION	No. OFF	NUMBER	DESCRIPTION	No. OFF	NUMBER	DESCRIPTION	No. OFF
DM 981-117	Sealing strip frame for bottom of front door, U. S. A. Until September 1962.	2	<u>DS 984-3c</u>	Sealing strip for door entrance, 2.800 m long (light grey) (R. VI). Since January 1964.	4	3.230-S	Washer, cupped, 3.5 mm diameter for screws of plate retaining lining on centre pillar (R. VI).	12
DS 981-117a	Sealing strip frame (aluminium), lower, for front door. Since September 1962.	2	124-S 30	Screw, round head, 5 diameter x 12.5 long, securing flexible buffer (R. III).	2	295-502	Rubber stop for closing of door on centre pillar and rear pillar (R. IV).	6
DM 981-118	Sealing strip frame for bottom of rear door. U. S. A. Until September 1962.	2	484-S	<i>Screw, hex. head, 7 diameter x 17.5 long, securing door hinge pin support (R. III). Replaced by 484-S 30.</i>	32	615.024	Nut, hex., 9 diameter x 125 pitch, for screw adjusting hinge pin (R. IV).	8
DS 981-118a	Sealing strip frame (aluminium), lower, for rear door. Since September 1962.	2	2.217-S	Plain washer, 9.5 x 16 x 2, for screw adjusting hinge pin (R. III).	8	<u>619.140</u>	Washer, plain, 3.5 x 12 x 1 for securing shaped portion to door (R. IV). PALLAS.	12
DS 984-3	Rubber, sealing strip, for door entrance (R. VI). Sold by the metre. Until January 1963.	As nec.	<u>2219-S</u>	Nut, hex., 3 x 60, for securing shaped portion to door (R. III). PALLAS.	12	619.775	Spring clip securing roller spindle for door check strap, 20 mm long (R. VI).	4
DS 984-3b	Sealing strip for door entrance (R. VI). 2.800 m long. January 1963 - January 1964.	4	2.581-S	Screw, P.K. 3.5 x 10, fixing plate retaining lining on centre pillar (R. VI).	12	619.779	Spring clip securing pivot in door check strap, 14.5 mm long (R. IV).	2
			2.659	<i>Screw, hex. head, 5 diameter x 13 long, securing flange for stop spring (R. III). Replaced by 283-S.</i>	4	<u>619.827</u>	Clip for securing lower shaped portion to door (R. VI). PALLAS.	24
			2.746-S	Screw, P.K. round head, 4.85 x 16, securing lower lining (R. VI).	8	<u>622.537</u>	Screw, round head, 7 x 16, for door check strap (R. VI). PALLAS.	4

The numbers underlined indicate new parts which do not appear on the illustration.

FRONT LEFT HAND VIEW

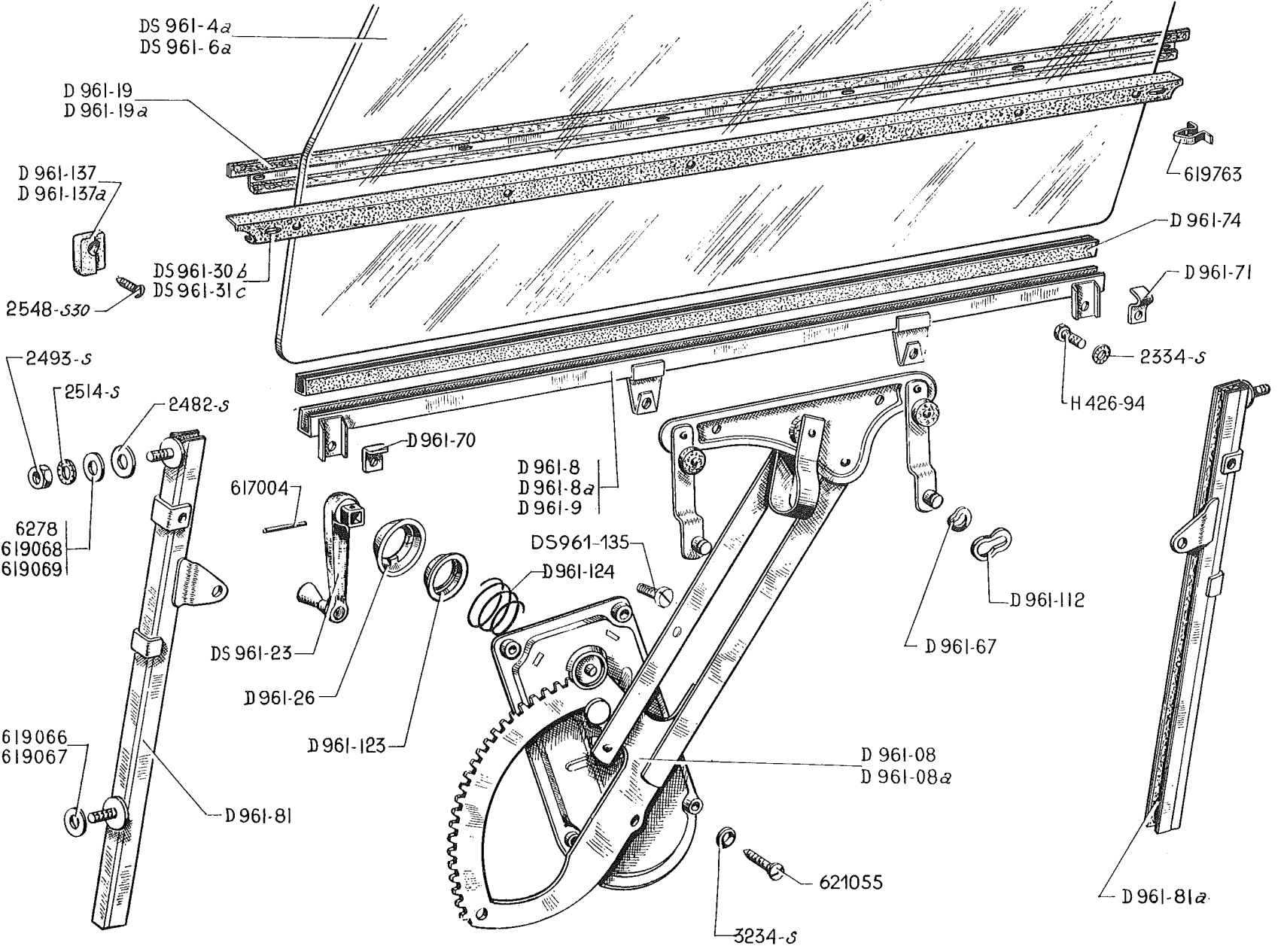


NUMBER	DESCRIPTION	No. OFF	NUMBER	DESCRIPTION	No. OFF	NUMBER	DESCRIPTION	No. OFF
DS 861-04b	Lock barrel for front door and boot. (R. VI). Since April 1963.	1	DS 861-18b	Push-button for front door (R. VI). Since April 1963. Replaces previous types; order in addition: 1-DS 861-132 (R. VI), 1-DS 861-35b (R. VI), 1-DS 861-102a (R. VI).	2	D 861-79b	Striking plate for front and rear left-hand doors, distance between fixing centres 48 mm (3 teeth) (R. VI).	2
D 861-5	Lock for front door, right-hand with safety catch (R. VI).	1	DS 861-19a	Push-button for rear doors (R. VI).	2	D 861-79c	Striking plate for front and rear right-hand doors, distance between fixing centres 48 mm (3 teeth) (R. VI).	2
<u>DS 861-5</u>	Lock for front door, right-hand with safety catch (R. VI). - PALLAS. - CABRIOLET. Since September 1964.	1	DS 861-21	Return spring for push-button in door handle.	4	<u>DS 861-79</u>	Striking plate for front and rear door, left-hand (R. VI), PALLAS, CABRIOLET. Since September 1964.	2
D 861-7	Lock for door with lock catch (R. VI): - front, left-hand. Until May 1956. - rear, left-hand.	1 1	D 861-23	Locking plate securing exterior handle, 178 mm long, one slot 24.5 mm, one hole 7.5 mm diameter.	4	<u>DS 861-79a</u>	Striking plate for front and rear door, right-hand (R. VI), PALLAS, CABRIOLET. Since September 1964.	2
D 861-7a	Lock for front door, left-hand, with safety catch (R. VI). Since May 1956.	1	D 861-24	Handle, interior for left-hand door.	2	D 861-84	Washer, fibre, 7.5 x 17 x 1, for securing rear of external handle (R. VI).	4
<u>DS 861-7</u>	Lock for front door, left-hand, with safety catch (R. VI). PALLAS, CABRIOLET. Since September 1964.	1	D 861-24a	Handle, interior for right-hand door.	2	D 861-98	Screw for adjusting push-button of front door handle, length under head 16 mm.	2
<u>DS 861-7a</u>	Lock for rear door, with lock catch (R. VI). PALLAS, CABRIOLET. Since September 1964.	1	DS 861-33	Circlip for lock barrel (R. VI).	1	D 861-98a	Screw for adjusting push-button of rear door, length under head 51 mm.	2
DS 861-8	Handle, exterior for rear door, left-hand.	1	DS 861-35b	<i>Lock barrel for front door and rear boot door (R. VI). Until April 1963. Replaced by DS 861-04b; order in addition: 1-DS 861-18b, 1-DS 861-102a.</i>	1	D 861-100	Spring for locking catch (R. VI).	4
DS 861-8a	Handle, exterior for rear door, right-hand.	1	D 861-62	Pin for safety catch for interior handle.	4	D 861-101	Nut, hex., 5 diameter x 75 pitch, locking adjusting screw for door handle push-button.	4
D 861-9	Lock for rear door, right-hand with lock catch (R. VI).	1	D 861-63	Return spring for safety lock tongue for interior handle.	4	D 861-102	Locking pin for front door handle (R. VI). Until April 1963.	2
<u>DS 861-9</u>	Lock for rear door, right-hand, with lock catch (R. VI). PALLAS, CABRIOLET. Since September 1964.	1	D 861-70	Connecting rod for remote control, 700 mm long.	4	DS 861-102a	Locking pin for handle (R. VI). Since April 1963.	3
DS 861-13b	Set of 4 lock barrels for front left-hand and right-hand doors, for rear boot door and ignition switch (R. VI). Since April 1963. Replaces previous types; order in addition: 3-DS 861-18b (R. VI), 3-DS 861-132 (R. VI), 3-DS 861-102a (R. VI).	1	D 861-74	Washer, rubber, 25 x 42, with shoulder for external and inside handle.	8	D 861-116	Plate for door striking plate on centre and rear pillars, distance between fixing centres 48 mm (R. VI).	4
D 861-16	Return spring for door lock lever (R. VI).	4	DS 861-76	Handle, external (only) for front and rear left-hand doors (R. VI). Since October 1959. Replaces earlier type; order in addition: 1-DS 861-132 (R. VI).	2	D 861-117a	Tongue (chrome) for safety catch on interior handle.	4
			DS 861-76a	Handle, external (only), for front and rear right-hand doors (R. VI). Since October 1959. Replaces earlier type; order in addition: 1-DS 861-132 (R. VI).	2	D 861-118	Washer, fibre, 10.5 x 26 x 1, securing rear of inner handle (R. VI).	4

The numbers underlined indicate new parts which do not appear on the illustration.

NUMBER	DESCRIPTION	No. OFF	NUMBER	DESCRIPTION	No. OFF	NUMBER	DESCRIPTION	No. OFF
D 861-119	Screw, securing inner handle, 11 mm long, head diameter 24 mm.	4	DS 861-132	Cup retaining push-button (R. VI). Since July 1959.	4	2.335-S	Washer, shakeproof, 5.2 for screw securing handle (R. VI).	12
<u>DS 861-119</u>	Screw, securing inner handle, 14 mm long, head diameter 24 mm. PALLAS. CABRIOLET. Since September 1964.	4	D 861-149	Anti-rattle plate, 13 x 18, for connecting rod of remote control.	8	2.388-S	Washer, shakeproof, 7.2 x 14 x 0.35 securing striking plate (R. VI).	8
D 861-120	Washer, 6.4 x 15, for screw securing inner door handle (R. VI).	4	D 861-158	Plate for adjusting striking plate on front and rear doors, 2 mm thick (R. VI).	As nec.	2.516-S 30	Screw, raised head, countersunk, 5 x 16 (R. VI), for securing: - the lock - the connecting rod bearing.	12 4
D 861-121	Locking collar for inner door handle.	4	D 861-158a	Plate for adjusting striking plate on front and rear doors, 3 mm thick (R. VI).	As nec.	<u>618.749</u>	Rivet securing clip holding connecting rod for front door (R. VI). Since December 1964.	2
<u>DS 861-121</u>	Locking collar for inner door handle. PALLAS. CABRIOLET. Since September 1964.	4	<u>DS 861-160</u>	Clip for remote control connecting rod for front door lock. Since December 1964.	2	621.505	Screw, round head, 7 diameter x 24 long, securing door striking plate (R. VI).	8
			<u>DS 861-174</u>	Bearing for connecting rod for rear door lock. Since December 1964.	2	<u>621.514</u>	Screw, round head, 7 x 24, for securing door striking plate (R. VI). PALLAS.	8
			481-S	Screw, hex. head, 7 diameter x 10 long, securing exterior door handle (R. III).	2			

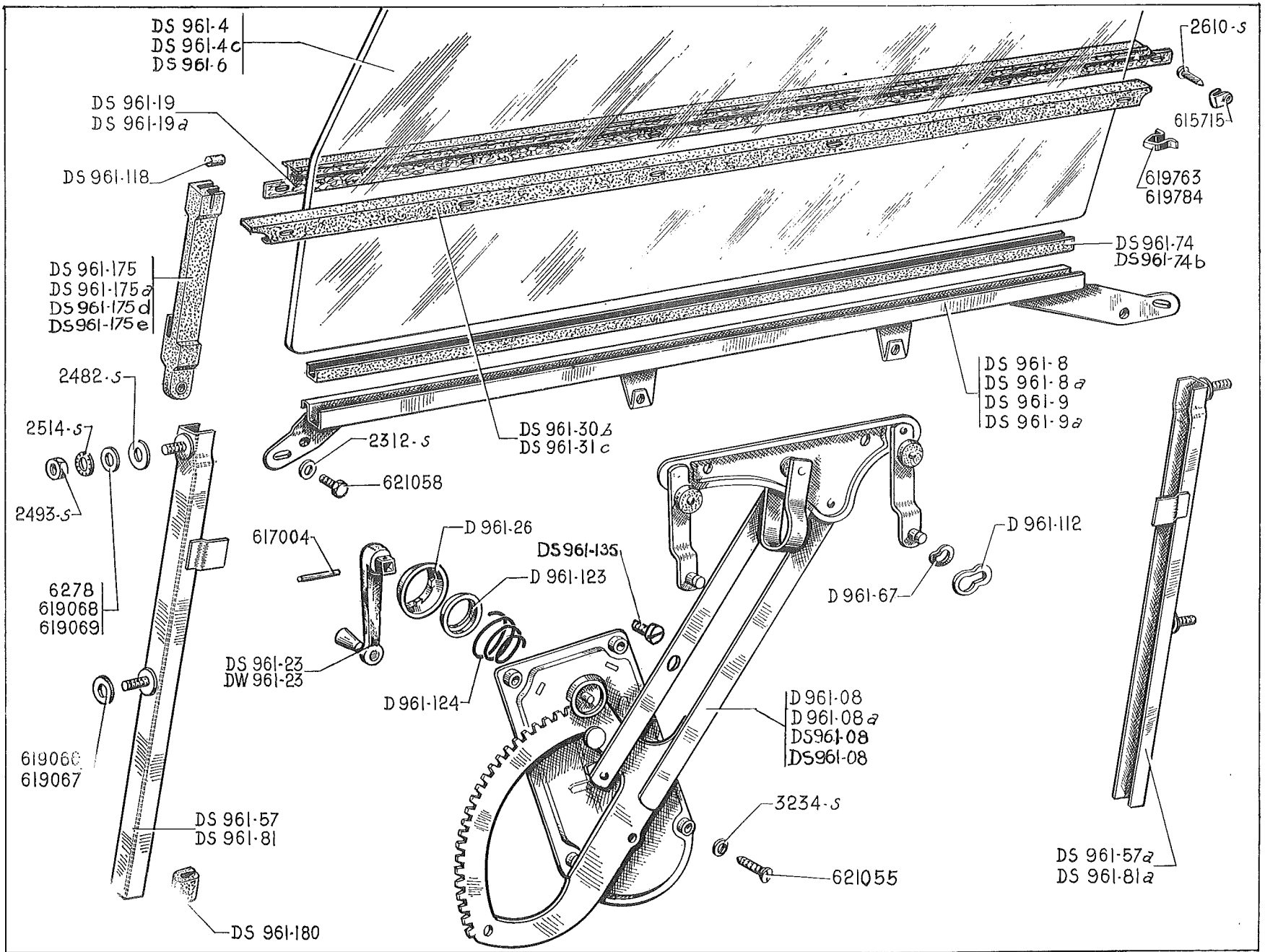
The numbers underlined indicate new parts which do not appear on the illustration.



348-WINDOW WINDER

NUMBER	DESCRIPTION	No. OFF	NUMBER	DESCRIPTION	No. OFF	NUMBER	DESCRIPTION	No. OFF
	ARRANGEMENT- GLASS THICKNESS 6mm. Until May 1957		D 961-26	Escutcheon for window winder handle, 45 mm diameter.	4	D 961-137	Glass clamp, front left and rear right-hand for doors (R. VI).	4
D 961-08	Window winder "Dura" 2 arm for left-hand door (R. VI). Replaced by DS 961-08d.	2	DS 961-30b	Sealing strip, external for front door, 777 mm long.	2	D 961-137a	Glass clamp, front right and rear left-hand for doors (R. VI). No longer supplied.	4
D 961-08a	Window winder "Dura" 2 arm for right-hand door (R. VI).	2	DS 961-31c	Sealing strip, external for rear door, 835 mm long.	2	H 426-94	Screw, hex. head, 5 diameter x 75 pitch, securing movable stop.	8
DS 961-4a	Glass for front door (R. VI). Replaced by DS 961-4c; order in addition: 1-DS 961-81, DS 961-81a, 1-DS 961-74b, 1-DS 961-175d (R. VI), 1-DS 961-175e (R. VI).	2	D 961-67	Flexible washer, 10.9 x 19.02 for window winder (R. VI).	8	2.334-S	Washer, shakeproof, 5.2 x 9.4, locking screw securing movable stop (R. VI).	4
DS 961-6a	Glass for rear door (R. VI). Replaced by DS 961-6b.	2	D 961-70	Movable stop, 16 x 22, for lift of door glass.	4	2.482-S	Plain washer, 7.5 x 14, securing upper part of side runner (R. III).	4
D 961-8	Channel for front door glass, left-hand, 698 mm long.	1	D 961-71	Movable stop, 35 x 22, for lift of front door glass.	2	2.493-S	Nut, hex., 7 diameter x 100 pitch, locking side runner (R. III).	8
D 961-8a	Channel for front door glass, right-hand, 698 mm long.	1	D 961-74	Glazing rubber for door glasses, 754 mm long.	4	2.514-S	Washer, shakeproof, 7.3 x 12, securing side runner (R. VI).	8
D 961-9	Channel for rear door glass, 754 mm long.	2	D 961-81	Side runner for glass (front) left-hand and rear right-hand, 397 mm long, 2 welded screws at 280 mm between centres. No longer supplied.	4	2.548-S 30	Screw, round head, 5 diameter x 12.5 long, securing glass clamp (R. VI).	8
D 961-19	Sealing strip, inner, for front door glass, 743 mm long (R. VI). No longer supplied.	2	D 961-81a	Side runner for glass (front right-hand and rear left-hand), 397 mm long, 2 welded screws at 280 mm between centres.	4	3.234-S	Washer, cupped, 6 mm diameter securing window winder (R. III).	8
D 961-19a	Sealing strip, inner, for rear door glass, 799 mm long (R. VI). No longer supplied.	2	D 961-112	Lockwasher for window winder on bottom of glass (R. VI).	8	6.278	Washer, 7.5 x 20 x 2, for adjustment of upper part of side runner (R. IV).	As nec.
DS 961-23	Handle for window winder (white knob).	4	D 961-123	Friction cup for escutcheon of window winder handle, 44 mm diameter.	4	617.004	Cylindrical pin, 3 x 14, for securing window winder handle (R. IV).	4
			D 961-124	Spring for window winder handle, internal diameter 32 mm and 45 mm.	4	619.066	Washer, 7.5 x 30 x 1 for adjustment of lower part of side runner (R. IV).	As nec.
			DS 961-135	Adjustable stay for window winder (R. VI).	4	619.067	Washer, 7.5 x 30 x 2, for adjustment of lower part of side runner (R. IV).	As nec.
						619.068	Washer, 7.5 x 20 x 0.5 for adjustment of upper part of side runner (R. IV).	As nec.
						619.069	Washer, 7.5 x 20 x 1, for adjustment of upper part of side runner	As nec.
						619.763	Clip securing sealing strip for door glass (R. VI).	24
						621.055	Screw, hex. head, 5 diameter x 11 long, securing window winder	16

350-WINDOW WINDER



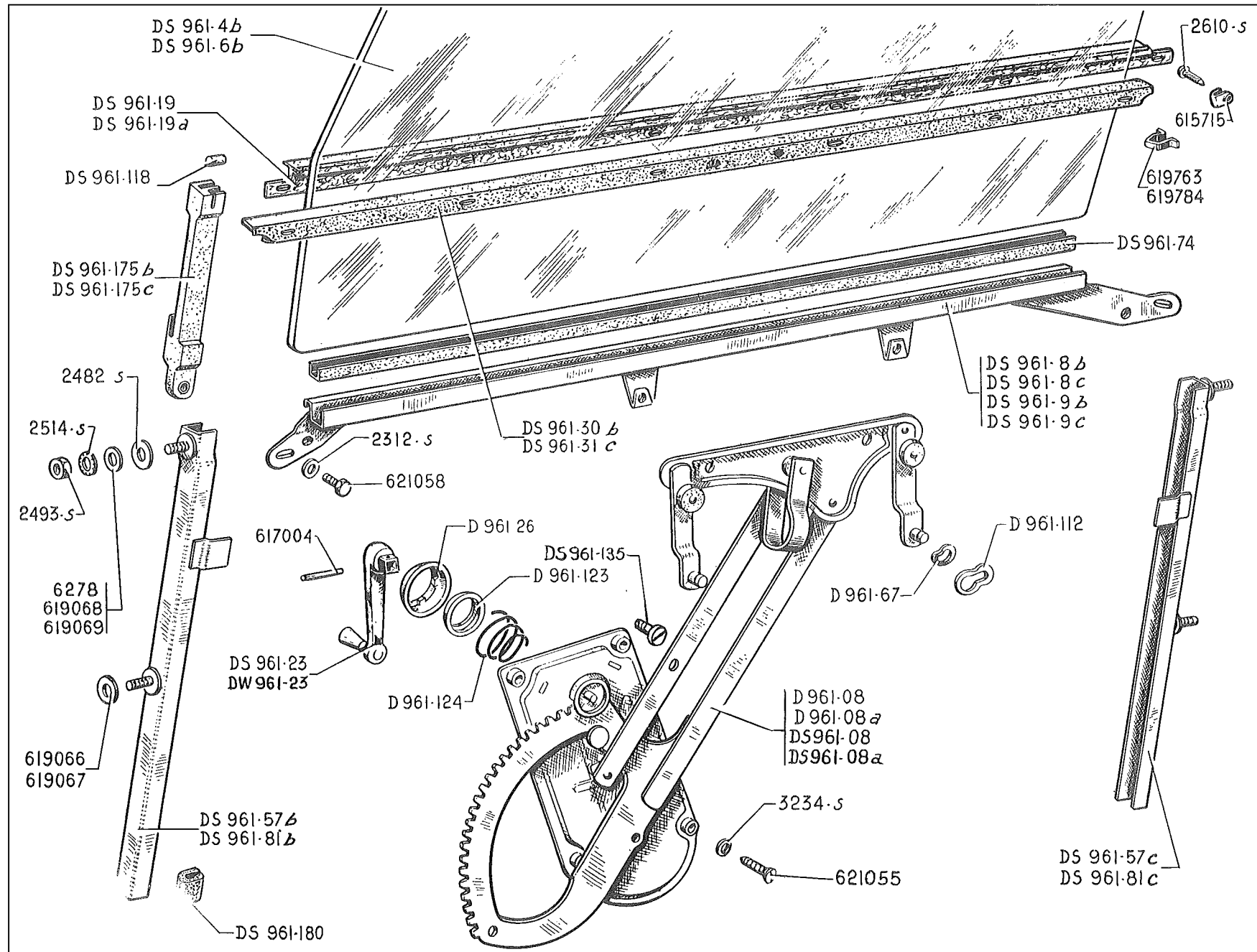
NUMBER	DESCRIPTION	No. OFF	NUMBER	DESCRIPTION	No. OFF	NUMBER	DESCRIPTION	No. OFF
	ARRANGEMENT- GLASS THICKNESS 4mm. Since May 1957		<u>DS 961-23a</u>	Handle for window winder, chromed, PALLAS, CABRIOLET. Since September 1964.	4	DS 961-118	<i>Rubber packing, 3.5 x 6, for glass slide. Until January 1961. No longer supplied.</i>	8
D 961-08	Window winder "Dura" 2 arm left-hand door (R. VI). Replaced by DS 961-08d.	2	DW 961-23	Handle for window winder (black knob). Since August 1961.	4	D 961-123	Friction cup for escutcheon of window winder handle, 44 mm dia.	4
D 961-08a	Window winder "Dura" 2 arm right-hand door (R. VI).	2	D 961-26	Escutcheon for window winder handle, 45 mm diameter.	4	D 961-124	Spring for window winder handle; internal diameter 32 mm and 45 mm.	4
DS 961-08	Window winder "Vachette" 2 arm left-hand door (R. VI). 2nd possibility. Replaced by DS 961-08d	2	<u>DS 961-26a</u>	Escutcheon for window winder handle, (black)(R. VI), PALLAS, CABRIOLET. Since September 1964.	4	DS 961-135	Adjustable stop for window winder (R. VI).	4
DS 961-08a	Window winder "Vachette" 2 arm right-hand door (R. VI). 2nd possibility. Replaced by DS 961-08e.	2	DS 961-30b	Sealing strip, external for front door glass, 777 mm long.	2	DS 961-175	Slide for glass (nylon), 158 mm long (R. VI):	2
DS 961-4	Glass for front door (R. VI). Until June 1962.	2	DS 961-31c	Sealing strip, external for rear door glass, 835 mm long.	2		- front of front and rear doors, left-hand.	2
DS 961-4c	Glass for front door, 5 mm thick (R. VI). Since June 1962.	2	DS 961-57	Side runner for glass, 540 mm long, 2 welded screws at 280 mm between centres:		DS 961-175a	Slide for glass (nylon), 158 mm long (R. VI):	2
DS 961-6	Glass for rear door (R. VI).	2		- front of rear door, left-hand.	1		- front of front and rear doors, right-hand.	2
DS 961-8	Channel for front door glass, left-hand 736 mm between fixing centres.	1		- rear of rear door, right-hand.	1		- rear of front and rear doors, left-hand.	2
DS 961-8a	Channel for front door glass, right-hand 736 mm between fixing centres.	1	DS 961-57a	Side runner for glass, 540 mm long, 2 welded screws at 280 mm between centres:		DS 961-175d	Slide for glass (nylon) for glass, 5 mm thick, for front door, left-hand and rear door, right-hand (R. VI). Since June 1962.	2
DS 961-9	Channel for rear door glass, left-hand 793 mm between fixing centres.	1		- front of rear door, right-hand.	1		Slide for glass (nylon) for glass, 5 mm thick, for front door, right-hand and rear door, left-hand. Since June 1962.	2
DS 961-9a	Channel for rear door glass, right-hand 793 mm between fixing centres.	1	D 961-67	Flexible washer, 10.9 x 19.02 for window winder (R. VI).	8	DS 961-175e	Slide for glass (nylon) for glass, 5 mm thick, for front door, right-hand and rear door, left-hand. Since June 1962.	2
DS 961-19	Sealing strip, inner, for front door glass, 741 mm long (R. VI). Until April 1965. Replaced by DS 961-19b.	2	DS 961-74	Glazing rubber for door glasses, 737 mm long. Until June 1962. Since June 1962.	4	DS 961-180	Protector, rubber, for side runner for rear door, 30 mm long (R. VI).	4
DS 961-19a	Sealing strip, inner, for rear door glass, 797 mm long (R. VI). Until April 1965. Replaced by DS 961-19c.	2			2	2.312-S	Washer, 5.5 x 9, securing door glass channel (R. III).	8
<u>DS 961-19b</u>	Sealing strip, inner, for front door glass, 760 mm long (R. VI). Since April 1965.	2	DS 961-74b	Glazing rubber for door glasses, 737 mm long, for glass 5 mm thick, white paint mark. Since June 1962.	2	2.482-S	Washer, plain, 7.5 x 14, securing upper part of side runner (R. III).	4
<u>DS 961-19c</u>	Sealing strip, inner, for rear door glass, 810 mm long (R. VI). Since April 1965.	2	DS 961-81	Side runner for glass, 570 mm long, 2 welded screws at 280 mm between centres:		2.493-S	Nut, hex., 7 diameter x 100 pitch, locking side runner (R. III).	8
DS 961-23	Handle for window winder (white knob). Until August 1961.	4		- front of front door, left-hand.	1	2.514-S	Washer, shakeproof, 7.3 x 12, securing side runner (R. VI).	8
			DS 961-81a	Side runner for glass, 570 mm long, 2 welded screws at 280 mm between centres:		2.610-S	Screw, P.K. 3.5 x 15, securing external sealing strip (R. VI).	8
				- front of front door, right-hand.	1	3.234-S	Washer, cupped, 6 mm diameter securing window winder (R. III).	8
			D 961-112	Lockwasher for window winder (R. VI).	8	6.278	Washer, 7.5 x 20 x 2, for adjustment of upper part of glass guide (R. IV).	As nec.
				- rear of front door, left-hand.	1			

The numbers underlined indicate new parts which do not appear on the illustration.

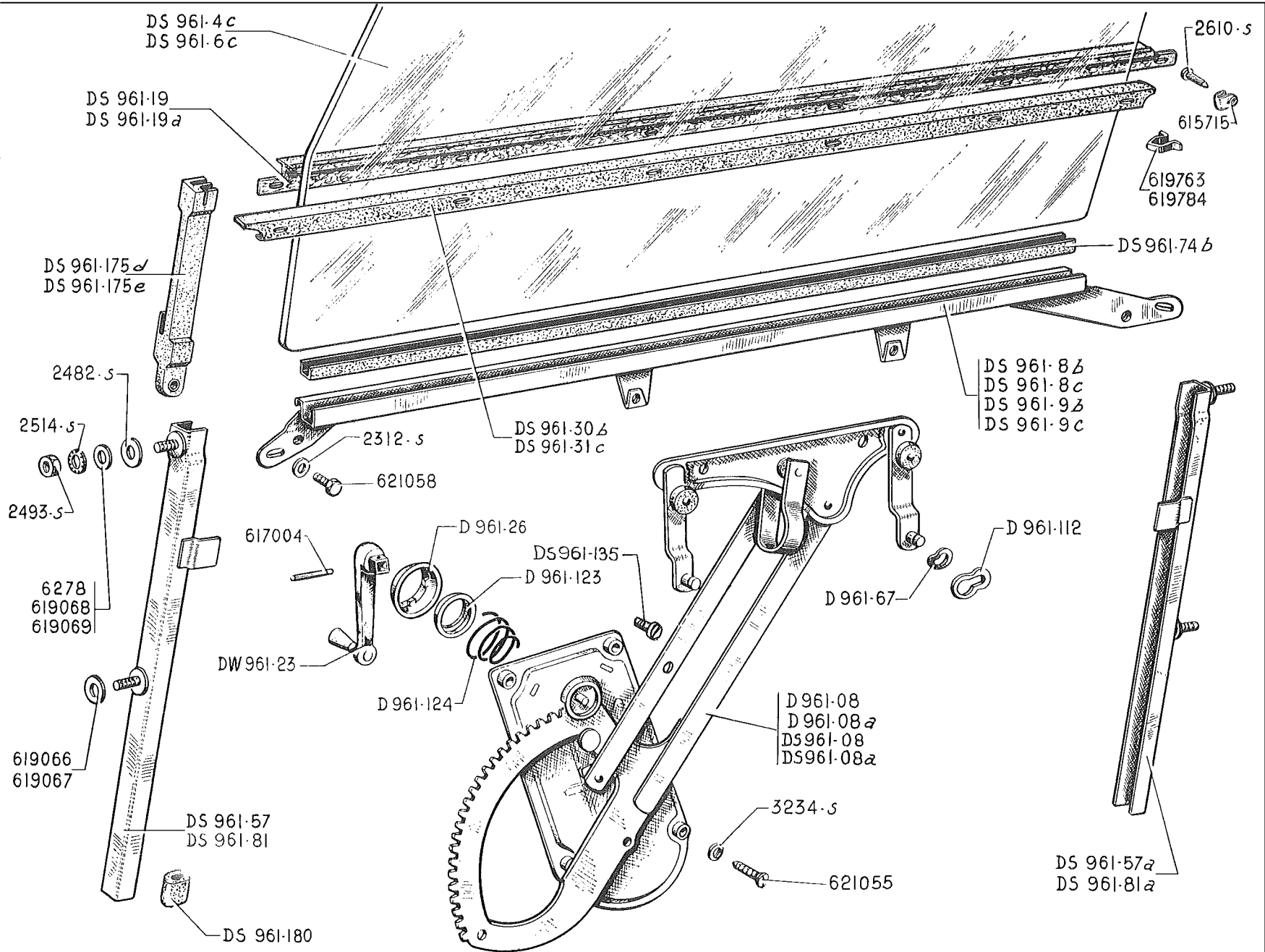
352-WINDOW WINDER

NUMBER	DESCRIPTION	No. OFF	NUMBER	DESCRIPTION	No. OFF	NUMBER	DESCRIPTION	No. OFF
617.004	Cylindrical pin, 3 x 14, securing window winder handle (R. IV)	4	619.068	Washer, 7.5 x 20 x 0.5 for adjustment of upper part of side runner (R. IV).	As nec.	619.763	Clip securing internal sealing strip for door glass (R. VI).	24
619.066	Washer, 7.5 x 30 x 1 for adjustment of lower part of side runner (R. IV).	As nec.	619.069	Washer, 7.5 x 20 x 1 for adjustment of upper part of side runner (R. II).	As nec.	619.784	Clip securing external sealing strip for door glass (R. VI).	24
619.067	Washer, 7.5 x 30 x 2 for adjustment of lower part of side runner (R. IV).	As nec.	615.715	Nut clip for screws securing external sealing strips (R. VI).	8	621.058	Screw, hex. head, 5 diameter x 9 long, securing slide on channel for door glass (R. IV).	8
						621.055	Screw, hex. head, 5 diameter x 11 long, securing window winder (R. I).	16

354-WINDOW WINDER (U.S.A.)



NUMBER	DESCRIPTION	No. OFF	NUMBER	DESCRIPTION	No. OFF	NUMBER	DESCRIPTION	No. OFF
	FOR GLASS. Thickness 6 mm. UNTIL DECEMBER 1961							
D 961-08	Winder winder "DURA" 2 arm for left-hand door (R. VI). Replaced by DS 961-08d.	2	DS 961-31c	Sealing strip, external for rear door glass, 835 mm long.	2	DS 961-175c	Slide for glass (nylon), 158 mm long (R. VI):	
D 961-08a	Window winder "DURA" 2 arm for right-hand door (R. VI).	2	DS 961-57b	Side runner for glass, 540 mm long 2 welded screws at 280 mm between centres:			- front of front and rear door, right-hand.	2
DS 961-08	Window winder "VACHETTE" 2 arm for left-hand door (R. VI). 2nd possibility. Replaced by DS 961-08d.	2		- front of rear door, left-hand.	1		- rear of front and rear door, left-hand.	2
DS 961-08a	Window winder "VACHETTE" 2 arm for right-hand door (R. VI). 2nd possibility. Replaced by DS 961-08e.	2	DS 961-57c	Side runner for glass, 540 mm long, 2 welded screws at 280 mm between centres:		DS 961-180	Protector, rubber for side runner for rear door glass, 30 mm long (R. VI).	4
DS 961-4b	Glass for front door (R. VI). Replaced by DS 961-4c (R. VI); order in addition: 1-DS 961-81, 1-DS 961-81a, 1-DS 961-74b, 1-DS 961-175d (R. VI), 1-DS 961-175e (R. VI).	2		- front of rear door, right-hand.	1	2.312-S	Washer, 5.5 x 9 securing door glass channel (R. III).	8
DS 961-6b	Glass for rear door (R. VI). Replaced by DS 961-6c; order in addition 1-DS 961-74b, 1-DS 961-57, 1-DS 961-57a, 1-DS 961-175d (R. VI), 1-DS 961-175e (R. VI).	2	D 961-67	Flexible washer 102.9 x 19.0 for window winder (R. VI).	8	2.482-S	Washer, plain 7.5 x 14 securing upper part of side runner (R. III).	4
DS 961-8b	Channel for front door glass, left-hand, 736 mm between fixing centres. Replaced by DS 961-8.	1	DS 961-74	Glazing rubber for door glasses, 737 mm long, external diameter 8 mm, internal diameter 4 mm.	4	2.493-S	Nut, hex., 7 diameter 100 pitch locking side runner (R. III).	8
DS 961-8c	Channel for front door glass, right-hand, 736 mm between fixing centres.	1	DS 961-81b	Side runner for glass, 570 mm long 2 welded screws at 280 mm between centres:		2.514-S	Washer, shakeproof 7.3 x 12 securing side runner (R. VI).	8
DS 961-9b	Channel for rear door glass, left-hand. Replaced by DS 961-9.	1		- front of front door, left-hand.	1	2.610-S	Screw, P.K. 3.5 x 15 securing external sealing strip (R. VI).	8
DS 961-9c	Channel for rear door glass, right-hand. Replaced by DS 961-9a.	1		- rear of front door, right-hand.	1	3.234-S	Washer, cupped 6 mm diameter securing window winder (R. III).	8
DS 961-19	Sealing strip, inner for front door glass 741 mm long (R. VI). Replaced by DS 961-19b.	2	DS 961-81c	Side runner for glass, 570 mm long 2 welded screws at 280 mm between centres:		6.278	Washer, 7.5 x 20 x 2, for adjustment of upper part of glass guide (R. IV).	As nec.
DS 961-19a	Sealing strip, inner for rear door glass 797 mm long (R. VI). Replaced by DS 961-19c.	2		- front of front door, right-hand.	1	615.715	Nut clips for screw securing external sealing strips (R. VI).	8
DS 961-23	Handle for window winder (white knob). Until August 1961.	4	D 961-112	Lockwasher for window winder on bottom of glass (R. VI).	8	617.004	Cylindrical pin 3 x 14 securing window winder handle (R. IV).	4
DW 961-23	Handle for window winder (black knob). Since August 1961.	4	DS 961-118	Rubber packing, 3.5 x 6, for glass slide. Until January 1961. No longer supplied.	8	619.066	Washer, 7.5 x 30 x 1, for adjustment of lower part of side runner (R. IV).	As nec.
D 961-26	Escutcheon for window winder handle, 45 mm diameter.	4	D 961-123	Friction cup for escutcheon of window winder handle, 21 x 44 x 5.3.	4	619.067	Washer, 7.5 x 30 x 2, for adjustment of lower part of side runner (R. IV).	As nec.
DS 961-30b	Sealing strip, external for front door glass, 777 mm long.	2	D 961-124	Spring for window winder handle, internal diameter 32 mm and 45 mm.	4	619.068	Washer, 7.5 x 20 x 0.5, for adjustment of upper part of side runner (R. IV).	As nec.
			DS 961-135	Adjustable stop for window winder (R. VI).	4	619.069	Washer, 7.5 x 20 x 1, for adjustment of upper part of side runner (R. II).	As nec.
			DS 961-175b	Slide for glass (nylon), 158 mm long (R. VI):		619.763	Clip securing internal sealing strip for door glass (R. VI).	24
				- front of front and rear door, left-hand.	2	619.784	Clip securing external sealing strip for door glass (R. VI).	24
				- rear of front and rear door, right-hand.	2	621.055	Screw, hex. head, 5 diameter x 11 long, securing window winder (R. I).	16
						621.058	Screw, hex. head, 5 diameter x 9 long, securing slide on channel for door glass (R. IV).	8



356-WINDOW WINDER (U.S.A)

NUMBER	DESCRIPTION	No. OFF	NUMBER	DESCRIPTION	No. OFF	NUMBER	DESCRIPTION	No. OFF
	FOR GLASS. Thickness 5 mm. SINCE DECEMBER 1961		<u>DS 961-26a</u>	Escutcheon for window winder handle (black) (R. VI). PALLAS. CABRIOLET. Since September 1964.	4	DS 961-175e	Slide for glass (nylon) 158 mm long (R. VI).	
D 961-08	<i>Window winder "DURA" 2 arm for left-hand door (R. VI). Replaced by DS 961-08d.</i>	2	DS 961-30b	Sealing strip, external for front door glass, 777 mm long.	2		- front of front and rear door, right-hand.	2
D 961-08a	Window winder "DURA" 2 arm for right-hand door (R. VI).	2	DS 961-31c	Sealing strip, external for rear door glass, 835 mm long.	2	DS 961-180	Protector, rubber, for side runner for rear door glass, 30 mm long (R. VI).	4
DS 961-08	<i>Window winder "VACHETTE" 2 arm for left-hand door (R. VI). 2nd possibility. Replaced by DS 961-08d.</i>	2	DS 961-57	Side runner for glass 540 mm long, 2 welded screws at 280 mm between centres: front of rear door, left-hand - rear of rear door, right-hand.	1	2.312-S	Washer 5.5 x 9 securing door glass channel (R. III).	8
DS 961-08a	<i>Window winder "VACHETTE" 2 arm for right-hand door (R. VI). 2nd possibility. Replaced by DS 961-08e.</i>	2	DS 961-57a	Side runner for glass 540 mm long 2 welded screws at 280 mm between centres: - front of rear door, right-hand. - rear of rear door, left-hand.	1	2.482-S	Washer, plain, 7.5 x 14, securing upper part of side runner (R. III).	4
DS 961-4c	Glass for front door (R. VI).	2	D 961-67	Flexible washer 10.9 x 19.02 for window winder (R. VI).	8	2.493-S	Nut, hex., 7 diameter x 100 pitch, locking side runner (R. III).	8
DS 961-6c	Glass for rear door (R. VI).	2	DS 961-74b	Glazing rubber for door glasses 737 mm long (white paint mark).	4	2.514-S	Washer, shakeproof, 7.3 x 12, securing side runner (R. VI).	8
DS 961-8b	<i>Channel for front door glass, left-hand, 736 mm between fixing centres. Replaced by DS 961-8.</i>	1	DS 961-81	Side runner for glass, 570 mm long 2 welded screws at 280 mm between centres: - front of front door, left-hand. - rear of front door, right-hand.	1	2.610-S	Screw, P.K. 3.5 x 15, securing external sealing strip (R. VI).	8
DS 961-8c	Channel for front door glass, right-hand, 736 mm between fixing centres.	1	DS 961-81a	Side runner for glass, 570 mm long, 2 welded screws at 280 mm between centres: - front of front door, right-hand. - rear of front door, left-hand.	1	3.234-S	Washer, cupped 6 mm diameter securing window winder (R. III).	8
DS 961-9b	<i>Channel for rear door glass, left-hand. Replaced by DS 961-9.</i>	1	D 961-112	Lockwasher for window winder on bottom of glass (R. VI).	8	6.278	Washer, 7.5 x 20 x 2, for adjustment of upper part of glass guide (R. IV).	As nec.
DS 961-9c	<i>Channel for rear door glass, right-hand. Replaced by DS 961-9a.</i>	1	D 961-123	Friction cup for escutcheon of window winder handle 21 x 44 x 5.3.	4	615.715	Nut clips for screws securing external sealing strips (R. VI).	8
DS 961-19	<i>Sealing strip, inner, for front door glass, 741 mm (R. VI). Until April 1965. Replaced by DS 961-19b.</i>	2	D 961-124	Spring for window winder handle, internal diameter 32 mm and 45 mm.	4	617.004	Cylindrical pin, 3 x 14, securing window winder handle (R. IV).	4
DS 961-19a	<i>Sealing strip, inner, for rear door glass, 797 mm (R. VI). Until April 1965. Replaced by DS 961-19c.</i>	2	DS 961-135	Adjustable stop for window winder (R. VI).	4	619.066	Washer, 7.5 x 30 x 1 for adjustment of lower part of side runner (R. IV).	As nec.
DS 961-19b	Sealing strip, inner, for front door glass, 760 mm long (R. VI). Since April 1965.	2	DS 961-175d	Slide for glass (nylon) 158 mm long (R. VI): - front of front and rear door, left-hand. - rear of front and rear door, right-hand.	2	619.067	Washer, 7.5 x 30 x 2, for adjustment of lower part of side runner (R. IV).	As nec.
DS 961-19c	Sealing strip, inner, for rear door glass, 810 mm long (R. VI). Since April 1965.	2				619.068	Washer, 7.5 x 20 x 0.5, for adjustment of upper part of side runner (R. IV).	As nec.
<u>DS 961-23a</u>	Window winder handle, chromed, PALLAS. CABRIOLET. Since September 1964.	4				619.069	Washer, 7.5 x 20 x 1, for adjustment of upper part of side runner (R. II).	As nec.
DW 961-23	Handle for window winder (black knob).	4				619.763	Clip securing internal sealing strip for door glass (R. VI).	24
D 961-26	Escutcheon for window winder handle 45 mm diameter.	4				619.784	Clip securing external sealing strip for door glass (R. VI).	24

DOOR GLASSES-359

NUMBER	DESCRIPTION	No. OFF
	SPECIAL PARTS CABRIOLET	
DS 961-79	Door glass channel, 785 mm long, left-hand (R. VI).	1

NUMBER	DESCRIPTION	No. OFF
DS 961-79a	Door glass channel, 785 mm long, right hand (R. VI).	1
DS 961-30c	Sealing strip, outer for glass 888 mm long, left-hand (R. VI).	1
DS 961-30d	Sealing strip, outer for glass, 888 mm long, right-hand (R. VI).	1

NUMBER	DESCRIPTION	No. OFF
DS 961-48	Sealing strip, inner for glass, left hand (R. VI).	1
DS 961-48a	Sealing strip, inner for glass, right hand (R. VI).	1
DS 961-4d	Glass for door, 6 mm thick (R. VI). Until June 1962.	2
DS 961-4f	Glass for door, 5 mm thick. Since June 1962.	2

PARTITION

NUMBER	DESCRIPTION	No. OFF
	SPECIAL PARTS PRESTIGE	
D 826-94,	Frame for partition with sliding glass and lining (R. VI).	1
D 854-56	Rod securing moquette on centre pillar (R. VI).	2
D 854-57	Rod securing moquette on centre pillar (R. VI).	2
D 853-105	Beading, upper, rear, for partition (R. VI).	1
D 853-106	Beading, upper, front, for partition (R. VI).	1
D 961-49	Glass channel for partition (R. VI).	1
D 961-113	Guide slide for glass (R. VI).	2
D 826-52	Nut "Champion" securing frame (R. VI).	As nec.

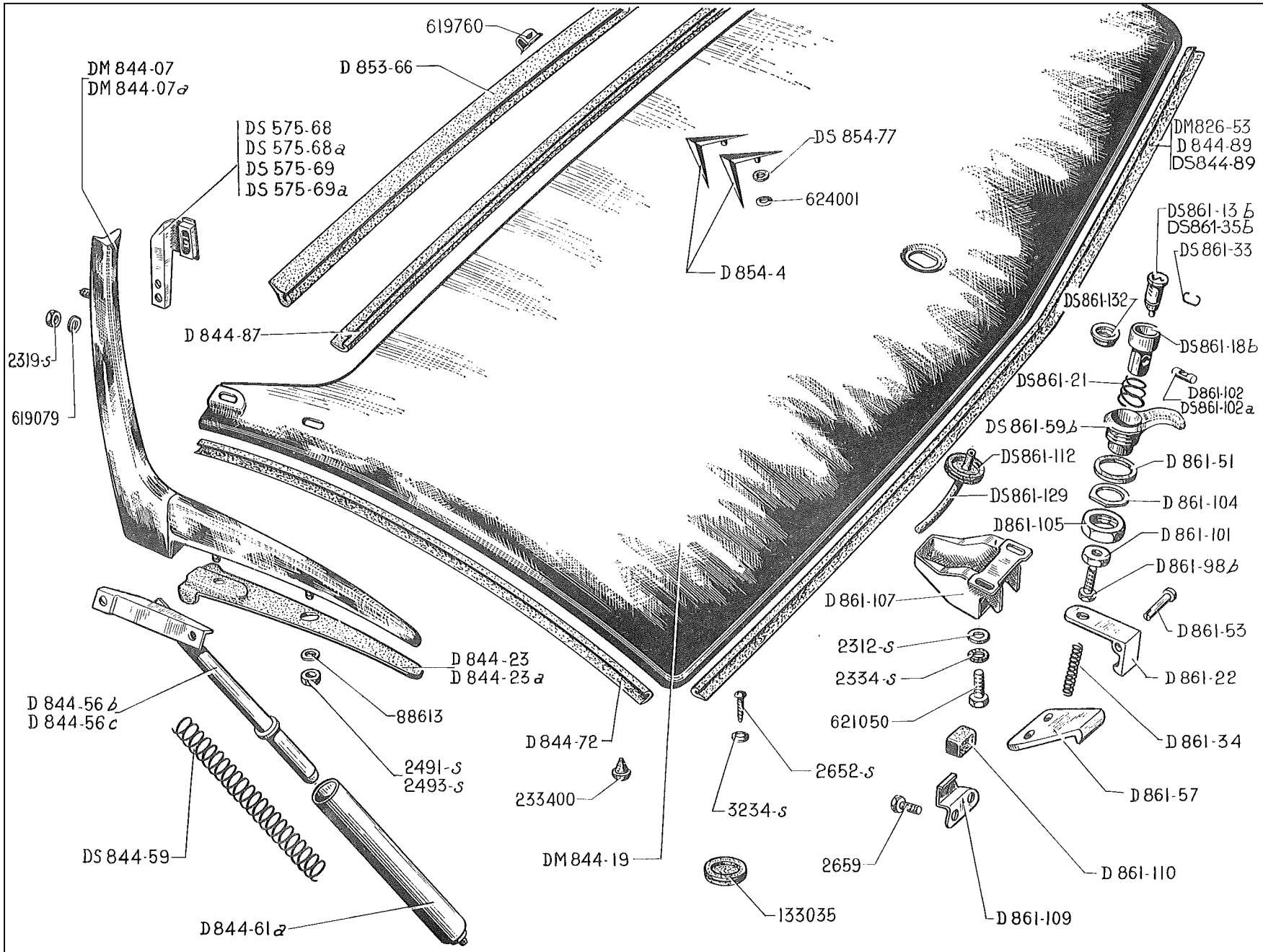
NUMBER	DESCRIPTION	No. OFF
D 944-98	Escutcheon, lower, for handle mounting (R. VI).	2
D 944-99	Escutcheon, upper, for handle mounting (R. VI).	2
D 961-100	Escutcheon for handle (R. VI).	1
D 961-48	Wiper for glass (R. VI).	1
D 853-63	Surround for partition (not trimmed) (R. VI).	1
D 854-81	Ventilation grille, rear (R. VI).	2
D 853-56	Lining, lower, rear, for centre pillar with nozzle, left-hand (R. VI).	1
D 853-59	Lining, lower, rear, for centre pillar with nozzle, right-hand (R. VI).	1
D 853-60	Lining, upper, rear, for centre pillar, left-hand (R. VI).	1
D 853-62	Lining, upper, rear, for centre pillar, right-hand (R. VI).	1
D 853-107	Lining, front, for centre pillar, left-hand (R. VI).	1
D 853-108	Lining, front, for centre pillar, right-hand (R. VI).	1
D 961-2	Glass for partition (R. VI).	1
D 961-016	Window winder for partition (R. VI).	1

NUMBER	DESCRIPTION	No. OFF
D 961-36	Handle for partition window winder (R. VI).	1
D 853-110	Panel, rear, for partition, moquette trimmed (R. VI).	1
D 944-1	Handle mounting, trimmed, left-hand (R. VI).	1
D 944-1a	Handle mounting, trimmed, right-hand (R. VI).	1
D 854-95	Sealing moulding for front door (R. VI).	2
D 854-96	Sealing moulding for rear door (R. VI).	2
D 961-179	Spring for escutcheon (R. VI).	1
D 961-83	Slide for glass (R. VI).	1
D 813-92	Centre crossmember for partition (with leathercloth and glass wiper) (R. VI).	1
D 813-96	Crossmember, lower, for frame (with felt buffers) (R. VI).	1

360-DOORS-CABRIOLET-PRESTIGE

NUMBER	DESCRIPTION	No. OFF	NUMBER	DESCRIPTION	No. OFF	NUMBER	DESCRIPTION	No. OFF
	SPECIAL PARTS CABRIOLET							
DS 854-31	Tread plate (inox), left-hand (R. VI).	1	DS 961-41a	Sealing rubber, on bonnet swan neck, right-hand (R. VI).	1	DS 854-41b	Embellisher for bottom of body with clips, left-hand (R. VI).	1
DS 854-31a	Tread plate (inox), right-hand (R. VI).	1	DS 854-34	Lining for bottom of door (fluted aluminium), left-hand (R. VI).	1	DS 854-41c	Embellisher for bottom of body with clips, right-hand (R. VI).	1
DS 841-11	Hinge, lower, for door, left-hand (R. VI).	1	DS 854-34a	Lining for bottom of door (fluted aluminium), right-hand (R. VI).	1	DS 854-44b	Embellisher with clips on angle of door, left-hand (R. VI).	1
DS 841-11a	Hinge, lower for door, right-hand (R. VI).	1	DS 981-49	Lining for door entrance (R. VI).	2	DS 854-44c	Embellisher with clips on angle of door, right-hand (R. VI).	1
DS 841-67	Sealing rubber, for door on rear pillar, left-hand.	1	DS 841-13	Door, only, left-hand (R. VI).	1	DS 854-32	Finishing panel for siderail (fluted aluminium), left-hand (R. VI).	1
DS 841-67a	Sealing rubber, for door on rear pillar, right-hand.	1	DS 841-13a	Door, only, right-hand (R. VI).	1	DS 854-32a	Finishing panel for siderail (fluted aluminium), right-hand (R. VI).	1
DS 841-91	Sealing rubber, for door on front pillar, left-hand.	1	DS 841-68	Sealing moulding for door (R. VI).	2		PRESTIGE	
DS 841-91a	Sealing rubber, for door on front pillar, right-hand.	1	DS 854-30	Finisher for tread plate (R. VI).	2	D 854-95	Sealing moulding for front door (R. VI).	2
DS 961-41	Sealing rubber, on bonnet swan neck, left-hand (R. VI).	1	DS 854-33	Interior upper moulding for door (R. VI).	4	D 854-96	Sealing moulding for rear door (R. VI).	2
			DS 854-40b	Upper moulding with clips between door and bonnet, left-hand (R. VI).	1			
			DS 854-40c	Upper moulding with clips between door and bonnet, right-hand (R. VI).	1			

NUMBER	DESCRIPTION	No. OFF	NUMBER	DESCRIPTION	No. OFF	NUMBER	DESCRIPTION	No. OFF
	WINDSCREEN		DS 961-3c	Windscreen glass only "LUXRIT". R.H. steering.	1	D 961-133a	Pressure pad, right-hand.	1
DS 565-117	Rubber stop for wiper arm on central pressure pad. Until June 1956.	2	DS 961-3f	Windscreen glass only, "TRIPLEX" PALLAS. Since September 1964.	1	D 961-150	Pressure pad, central.	1
DS 565-117a	Rubber stop for wiper arm on lower windscreen surround. June 1956 - September 1964.	4	DS 961-136	Rubber for pressure pad. Until June 1956.	1	D 825-92	Screw, round head, 7 diameter x 20 long, securing pressure pad (R. VI).	2
DM 961-17	Sealing strip, lower. Until August 1961.	1	DS 961-56	Pressure pad, lateral, 50 mm long, 17.5 mm wide, 36 mm high. Since September 1956.	2		REAR WINDOW THICKNESS 4mm. Since March 1957	
DW 961-17	Sealing strip, lower. Since August 1961.	1	D 961-63	<i>Reinforcement securing pressure pad, 62 mm long, 60 mm wide. Until June 1956. No longer supplied.</i>	1	D 961-27	Sealing rubber, upper for window glass, 1.750 m long.	1
D 961-98	<i>Rubber glazing strip, upper, 2.160 m (R. VI). Until September 1964. Replaced by DS 961-98.</i>	1	DS 961-189	<i>Reinforcement central for wind- screen surround on scuttle dome. November 1957 - September 1964. Replaced by DS 961-189a.</i>	1	DS 961-29	Sealing rubber, lower for window glass, 1.760 m long.	1
DS 961-98	Rubber glazing strip, upper, for windscreen, 2.160 m long. PALLAS. Since September 1964.	1	DS 961-189a	Central reinforcement for wind- screen surround on scuttle dome. Since September 1964.	1	DS 961-134	Rubber for pressure pad, 51 x 57 x 41.	2
DS 961-146	Rubber glazing strip, lower, 1.550 m long. Until September 1964.	1	2.312-S	Washer, 5.5 x 9, securing pressure pad on scuttle dome (R. III).	2	DS 961-151	Rubber for central pressure pad 60 x 25. Until January 1963.	1
DS 961-146b	Rubber glazing strip, lower, with notch 125 mm. Since September 1964.	1	DS 961-59	Lateral support, adjustable, left- hand. Until September 1956.	1	DS 961-7d	Glass for rear window "Securit" 4 mm thick (R. VI).	1
DS 961-146c	Rubber glazing strip, lower, without notch for repairs.	1	DS 961-59a	<i>Lateral support, adjustable, right- hand. June 1956 - September 1956. No longer supplied.</i>	1	DS 961-7e	Glass for rear window "Securit" 5 mm thick (R. VI). U.S.A.	1
DS 961-161b	Surround, lower for glass, with central fixing plate. Until September 1964.	1	125-S	Screw, round head, 5 diameter x 15 long, securing pressure pad on scuttle dome (R. III).	2	D 961-133	Pressure pad, left-hand. Since January 1963.	1
DS 961-161c	Surround, lower, for windscreen glass, without stop for windscreen wiper. Since September 1964.	1	485-S 30	Screw, hex. head, 7 diameter x 20 long, securing lateral adjust- able support. June 1956 - September 1956.	4	D 961-133a	Pressure pad, right-hand. Since January 1963.	1
2.491-S	Nut, hex., 7 diameter x 100 pitch, for adjustment of glass support (R. III). Until June 1956.	2		REAR WINDOW THICKNESS 6mm. Until May 1957		DS 961-133	Pressure pad, left-hand. Until January 1963.	1
D 961-3a	<i>Windscreen glass "TRIPLEX" (R. VI). U.S.A. L.H. steering. Replaced by DS 961-3f. Order in addition 1-DS 961-98.</i>	1		Note - Parts which do not appear in the text below are no longer supplied.		DS 961-133a	Pressure pad, right-hand. Until January 1963.	1
DS 961-3a	Windscreen glass only, "LUXRIT". Since June 1959. L.H. steering. Replaces earlier types; order in addition: 1-DS 961-146c, 1-DS 961-161b, 1-DS 961-189a.	1	D 961-27	Sealing rubber, upper for window glass, 1.750 m long.	1	DS 961-150	Pressure pad, central. Until January 1963.	1
			DS 961-134	Rubber for pressure pad.	2	DS 961-163	Pressure pad, lateral (R. VI). Until January 1963.	2
			DS 961-151	Rubber for central pressure pad.	1	DS 961-185	Washer, fibre, 7.2 x 15 x 1.5, for screw securing central pressure pad (R. VI). Until January 1963.	1
			D 961-133	Pressure pad, left-hand.	1	DS 961-184	Screw, hex. head, 7 diameter x 7 long, securing central pressure pad. Until January 1963.	1



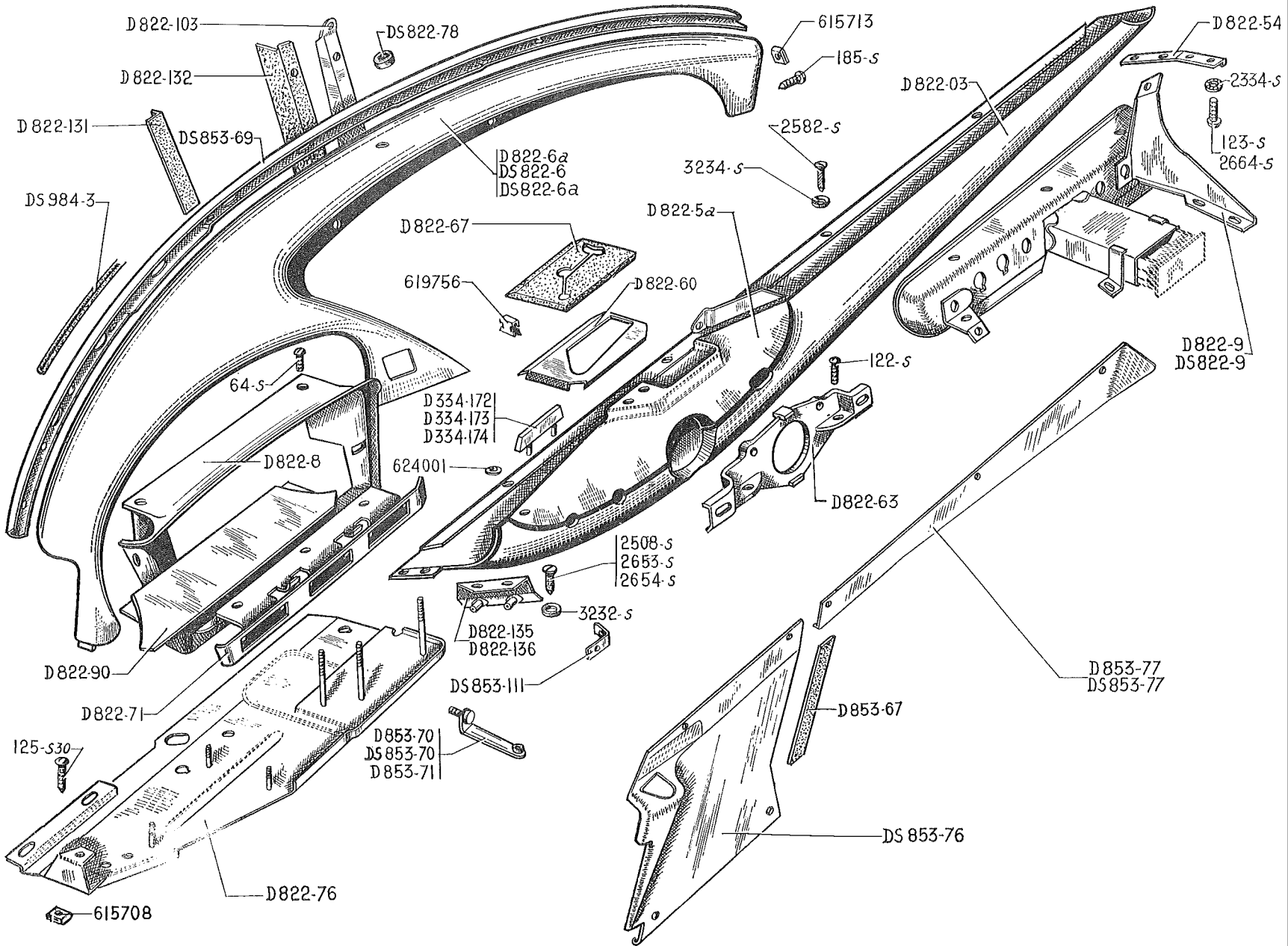
362-REAR BOOT DOOR

NUMBER	DESCRIPTION	No. OFF	NUMBER	DESCRIPTION	No. OFF	NUMBER	DESCRIPTION	No. OFF
DS 575-68	Plate securing direction indicator on hinge, right-hand, 65 mm long. September 1956 - February 1958.	1	DS 844-59	Spring for door stay (25 coils).	2	DS 861-21	Return spring for push-button.	1
DS 575-68a	Plate securing direction indicator on hinge, right-hand, 50 mm long. Since February 1958.	1	D 844-61a	Stay, female, for door, 180 mm long.	2	D 861-22	Bolt for lock.	1
DS 575-69	Plate securing direction indicator on hinge, left-hand, 65 mm long. September 1956 - February 1958.	1	D 844-72	Sealing strip, rubber, lateral for door, 600 mm long.	2	DS 861-33	Circlip for barrel (R. VI).	1
DS 575-69a	Plate securing direction indicator on hinge, left-hand. 50 mm long. Since February 1958.	1	D 844-87	Sealing strip, rubber, upper, for door, 1.240 m long.	1	D 861-34	Return spring for lock bolt, 26 mm long.	1
DM 826-53	Sealing strip for door. Export. Until June 1963 (R. VI).	1	D 844-89	Sealing strip, rubber, lower, for door, 1 m long.	1	DS 861-35b	<i>Lock barrel for boot door (R. VI). Until April 1963. Replaced by DS 861-04b; order in addition: 1-DS 861-18b (R. VI), 1-DS 861-102a (R. VI).</i>	1
DM 844-07	Hinge assembly, left-hand for rear boot, without fixing plate at the upper part. Since June 1958. Replaces earlier types; order in addition: 1-DM 844-07a, 1-DS 575-68a, 1-DS 575-69a.	1	DS 844-89	Sealing strip, rubber, for door (R. VI). Export. Since June 1963. PALLAS. Since September 1964.	1	D 861-51	Washer, rubber, 30 x 36 x 2, for push-button guide.	1
DM 844-07a	Hinge assembly, right-hand for rear boot, without fixing plate at the upper part. Since June 1958. Replaces earlier types; order in addition: 1-DM 844-07, 1-DS 575-68a, 1-DS 575-69a.	1	<u>DS 844-113</u>	Shaped finisher strip for boot door opening, 3,300 mm long (R. VI). PALLAS.	1	D 861-53	Pin, 6 mm diameter, 25.5 mm long under head for pivot of bolt lock.	1
<u>DS 844-07j</u>	Hinge assembly for boot door, left-hand. PALLAS.	1	<u>DS 844-122</u>	Washer, 30 x 2, with notch 7.5 for adjusting hinge on wheel arch. PALLAS.	As nec.	D 861-57	Striking plate for lock, 55 mm long, 26 mm between fixing centres.	1
<u>DS 844-07k</u>	Hinge assembly for boot door, right-hand. PALLAS.	1	<u>DS 844-170</u>	Protective lining on sloping part of boot door, 80 mm long. PALLAS. Until March 1965.	2	DS 861-59b	Guide for push-button, 32 mm long.	1
DM 844-19	Boot door only.	1	<u>DS 844-170a</u>	Protective lining on sloping part of boot door 1 m long. PALLAS. Since March 1965.	1	<u>DS 861-59d</u>	Guide for push-button, 32 mm long (R. VI). PALLAS. Since May 1965.	1
D 844-23	Rubber joint between left-hand hinge and boot door, 262 mm long.	1	D 853-66	Finishing strip, rubber, between rear window and rear boot door. 1.650 m long.	1	D 861-98b	Screw for push-button adjustment, length under head 30 mm.	1
D 844-23a	Rubber joint between right-hand hinge and boot door, 262 mm long.	1	D 854-4	Chevron for boot door.	2	D 861-101	Nut, hex., 5 diameter x 75 pitch, locking push-button adjusting screw.	1
D 844-56b	Stay, male, with bracket for door, left-hand.	1	DS 854-77	Sealing washer, rubber, for chevrons.	4	D 861-102	Pin for lock barrel (R. VI). Until April 1963.	1
D 844-56c	Stay, male, with bracket for door, right-hand.	1	<u>DS 861-04b</u>	Lock barrel, for boot door (R. VI). Since April 1963.	1	DS 861-102a	Pin for lock barrel (R. VI). Since April 1963.	1
			DS 861-13b	Set of 4 lock barrels for front doors, rear boot door and ignition switch (R. VI). Since April 1963. Replaces previous type; order in addition: 3-DS 861-18b (R. VI), 3-DS 861-102a (R. VI).	1	D 861-104	Lockwasher, 28 x 40, locking push-button guide.	1
			DS 861-18b	Push-button (R. VI). Since April 1963. Replaces previous type; order in addition: 1-DS 861-04b (R. VI), 1-DS 861-102a (R. VI).	1	D 861-105	Nut, hex., 30 diameter x 150 pitch, locking push-button guide.	1
						D 861-107	Lock housing.	1
						D 861-109	Plate securing flexible buffer, 27 mm long, 26 mm between fixing centres.	1
						D 861-110	Stop, rubber, 10 x 14 x 26, for striking plate.	1
						DS 861-112	Sealing grommet on rear boot door. Since January 1961.	1

NUMBER	DESCRIPTION	No. OFF	NUMBER	DESCRIPTION	No. OFF	NUMBER	DESCRIPTION	No. OFF
DS 861-129	Water overflow pipe on push-button guide (R. VI). Since January 1961.	1	2.659	Screw, hex. head, 5 diameter x 13 long, securing striking plate (R. III).	2			
<u>DS 861-129a</u>	Water overflow pipe on push-button guide, 138 mm long (R. VI). PALLAS.	1	3.234-S	Washer, cupped, 6 mm diameter for lower strip of door (R. III).	2			
DS 861-132	Cup retaining push-button guide (R. VI). Since July 1959.	1	88.613	Washer, plain, 7.5 x 30 x 2.4, securing lower part of hinge (R. III).	2	DS 844-013	Hinge for rear boot door, left-hand (R. VI).	1
2.312-S	Washer, plain, 5.5 x 9, for boot door lock (R. III).	2	133.035	Grommet, sealing rear boot door (R. IV).	2	DS 844-013a	Hinge for rear boot door, right-hand (R. VI).	1
2.319-S	Nut, hex., 5 diameter x 75 pitch, securing upper part of hinge (R. III).	4	233.400	Rubber stop for door.	2	DS 844-72	Sealing strip for rear boot door (R. VI).	1
2.334-S	Washer, shakeproof, 5.2 x 9.4, for door lock (R. VI).	2	619.079	Washer (aluminium), 5.5 x 12 x 12, securing hinge (R. IV).	8	DS 823-73	Rear closing panel for rear boot (upper part) (R. VI).	1
2.491-S	Nut, hex., 7 diameter x 100 pitch, for locking lower part of hinge (R. III).	2	619.760	Clip securing rubber between rear window and rear boot door (R. VI).	12	DS 844-31	Door for rear boot (R. VI).	1
2.493-S	Nut, hex., 7 diameter x 100 pitch, securing stay on door (R. III).	4	621.050	Screw, hex. head, 5 diameter x 20 long, securing door lock (R. IV).	2	DS 844-59a	Compensating spring for rear boot door (R. VI).	2
2.652-S	Screw, P. K. 5 diameter x 15 long, securing lower strip for door (R. VI).	2	624.001	Washer, flexible, 4 mm diameter hole for securing chevrons on door (R. VI).	4			

**SPECIAL PARTS
CABRIOLET**

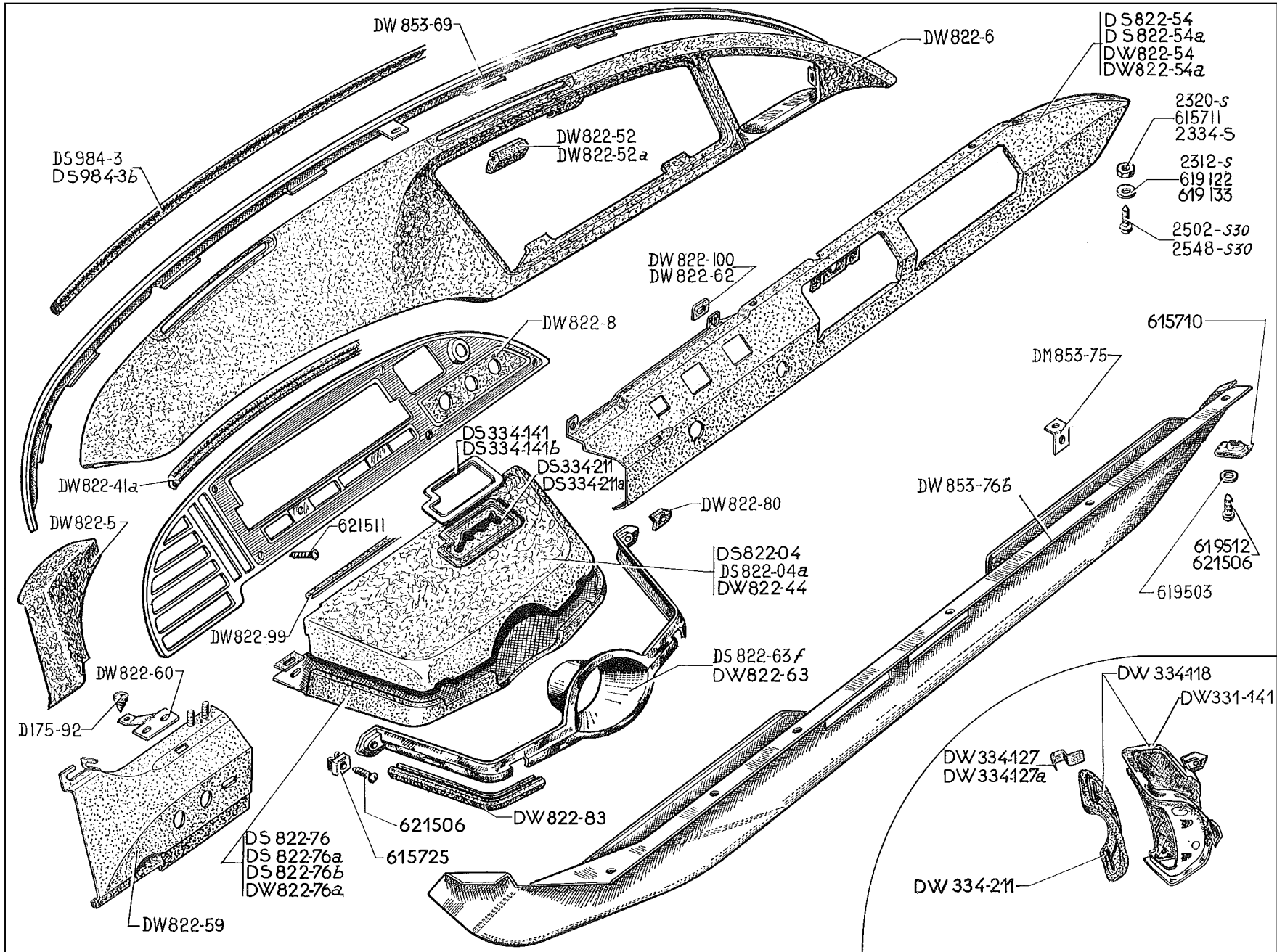
The numbers underlined indicate new parts which do not appear on the illustration.



366-FACIA

NUMBER	DESCRIPTION	No. OFF	NUMBER	DESCRIPTION	No. OFF	NUMBER	DESCRIPTION	No. OFF
	UNTIL AUGUST 1961							
D 334-172	Indication plate for 1st and reverse speeds (R. VI).	1	D 822-103	Support between ventilation grille and glovebox, right-hand.	1	64-S	Screw, round head 4 diameter 12.5 long securing speedometer surround (R. III).	3
D 334-173	Indication plate for 2nd, 3rd and 4th speeds (R. VI).	1	D 822-131	Finishing strip (rubber), between left-hand ventilation grille and speedometer surround.	1	122-S	Screw, round head 5 diameter 7.5 long securing finishing strip (R. III).	2
D 334-174	Indication plate for starter and neutral (R. VI).	1	D 822-132	Finishing strip (rubber), between right-hand ventilation grille and glovebox.	1	123-S	Screw, round head 5 diameter 10 long securing plate on crossmember (R. III).	2
D 822-03	Facia panel, lower. Since March 1958. Replaces earlier type; order in addition 1-D 822-5a.	1	D 822-135	Plate, lateral, securing lower facia panel, left-hand.	1	125-S 30	Screw, round head 5 diameter 15 long securing: - central support - lateral plates	5 4
D 822-5a	Cover for facia panel. Since March 1958. Replaces earlier type; Order in addition 1-D 822-03.	1	D 822-136	Plate, lateral, securing lower facia panel, right-hand.	1	185-S	Screw, raised head countersunk securing facia panel (R. III).	3
D 822-6a	Facia panel, upper. Until May 1959	1	D 853-67	<i>Sealing strip, rubber, right-hand on metal panel, left-hand. No longer supplied.</i>	1	2.334-S	Washer, shakeproof 5 diameter 12 long for screws securing plate on crossmember (R. III).	4
DS 822-6	Facia panel, upper with hole for clock. Since May 1959.	1	DS 853-69	Finishing panel. between windscreen and facia.	1	2.508-S	Screw, raised head countersunk 4.85 diameter 16 long securing cover (R. VI).	1
DS 822-6a	<i>Facia panel. upper with hole for temperature gauge U. S. A.</i>	1	D 853-70	Plate securing metal panel on dashboard, left-hand. Until April 1957.	1	2.582-S	Screw, P.K. 3.5 diameter 15 long securing plate on lower facia panel (R. VI).	2
D 822-8	Surround for speedometer (R. VI).	1	DS 853-70	Plate securing metal panel on dashboard, 126 mm long, left-hand. Since April 1957.	1	2.653-S	Screw, P.K. 5 diameter 20 long securing upper facia panel (R. VI).	2
D 822-9	<i>Central support for electrical and mechanical controls with opening for ashtray. Until February 1961. Replaced by DS 822-9.</i>	1	D 853-71	Plate securing metal panel, left-hand length 49 mm on engine housing panel.	1	2.654-S	Screw, P.K. 5 diameter 25 long securing facia panel (R. VI).	2
DS 822-9	Central support for electrical and mechanical controls with opening for ashtray. Since February 1961.	1	DS 853-76	Panel, left-hand under scuttle shelf.	1	2.664-S	Screw, round head 3.5 diameter 20 long securing central support (R. III).	3
D 822-54	Plate securing lower facia, right hand.	1	D 853-77	Panel under scuttle shelf, one hole 37 mm diameter for windscreen wiper control, right-hand. Until May 1960.	1	3.232-S	Washer, cupped 5 mm diameter for screw securing plate on lower facia panel (R. III).	2
D 822-60	Reinforcement on cover of facia panel.	1	DS 853-77	Panel, right-hand under scuttle shelf. Since May 1960.	1	3.234-S	Washer, cupped 6 mm diameter securing plate on upper facia panel (R. III).	10
D 822-63	Finishing plate for securing lower facia panel.	1	DS 853-111	Plate securing left-hand panel, on engine housing panel. Since April 1957.	1	615.708	Nut clip for 3.5 mm diameter screw, securing facia panel (R. VI).	10
D 822-67	Rubber sheet for passage of gear selector lever.	1	DS 984-3	Rubber strip sealing finishing panel for windscreen (R. VI) by the metre. Until January 1963.	As nec.	615.713	Nut clip for 4.85 mm diameter screw, securing facia panel (R. VI).	4
D 822-71	Lower plate for speedometer surround (without tell-tales) (R. VI).	1	DS 984-3b	Rubber strip sealing finishing panel for windscreen and doors, 2800 mm long (R. VI). Since January 1963.	4	619.756	Clip securing rubber for gear selector lever (R. VI).	4
D 822-76	Support for electrical and mechanical controls (under steering column).	1				624.001	Flexible washer, 4 mm diameter hole (R. VI) securing: - indicator plate.	6
DS 822-78	Rubber washer for facia panel.	2						
D 822-90	Plate, upper for speedometer surround (R. VI).	1						

368-FACIA (LEFT-HAND STEERING)



NUMBER	DESCRIPTION	No. OFF	NUMBER	DESCRIPTION	No. OFF	NUMBER	DESCRIPTION	No. OFF
	SINCE AUGUST 1961							
D 175-92	Flexible buffer.	1	DS 822-04	<i>Cover for support for electrical controls. Until May 1963. Replaced by DS 822-04a; order in addition: 1-DS 334-141b (R. VI), 1 1-DS 334-211a.</i>	1	<u>DM 822-59a</u>	Facia panel, lower, left-hand. September 1964 - July 1965.	1
DW 334-118	Rubber finishing lining, for passage of gear change lever. DS Manual gear change control.	1	DS 822-04a	<i>Cover for support for electrical controls. Since May 1963. Replaced by DS 822-44c.</i>	1	DW 822-59	<i>Facia panel, lower left-hand. Until September 1964. Replaced by DM 822-59a.</i>	1
DW 334-127	Clip securing finisher for lining (R. VI). DS Manual gear change control.	2	DW 822-5	Facia panel upper, left-hand.	1	<u>DX 822-59</u>	Facia panel, lower, left-hand. Until July 1965.	1
DW 334-127a	Clip securing finisher for lining (R. VI). DS Manual gear change control.	3	DW 822-6	Facia panel upper, right-hand.	1	DW 822-60	Support for buffer on facia panel (upper part).	1
DS 334-141	Finisher for gear change speed lever opening (R. VI). Until May 1963.	1	DW 822-8	<i>Surround for speedometer (R. VI). Replaced by DW 822-8a.</i>	1	DW 822-62	Anti-rattle packing between panel and clip (40 x 20 x 0.8).	3
DS 334-141b	Finisher for gear change speed lever opening (R. VI). May 1963 - February 1965.	1	DW 822-41a	Sealing strip between facia panel and surround, 211 mm long, right-hand.	1	DS 822-63f	Finisher for steering column opening (R. VI).	1
<u>DS 334-141c</u>	Finisher for gear change speed lever opening (R. VI). Since February 1965.	1	<u>DM 822-44a</u>	Cover for electrical control support, Manual control. Since September 1964.	1	DW 822-63	Finisher for steering column opening (R. VI). DS Manual gear change control.	1
DW 334-141	Finisher for gear change speed lever opening (R. VI). DS Manual gear change control.	1	DW 822-44	<i>Cover for electrical control support. DS Manual gear change control. Until September 1964. Replaced by DM 822-44a.</i>	1	DS 822-76	<i>Support for electrical controls. Replaced by DS 822-76b.</i>	1
DS 334-211	Finishing rubber for gear change speed lever opening. Until May 1963.	1	DW 822-52	Flexible packing for facia panel support (upper part) 15 mm high (R. VI).	4	DS 822-76a	<i>Support for electrical controls. (German anti-theft arrangement). Until December 1962. Replaced by DS 822-76b.</i>	1
DS 334-211a	<i>Finishing rubber for gear change speed lever opening. May 1963 - February 1965. Replaced by DS 334-211b; order in addition: 1-DS 334-141c.</i>	1	DW 822-52a	Flexible packing for facia panel support (lateral part) 11 mm high (R. VI).	4	DS 822-76b	Support for electrical control. (German anti-theft arrangement). Since December 1962.	1
<u>DS 334-211b</u>	Finishing rubber for gear change speed lever opening. Since February 1965.	1	DS 822-54	Facia panel, lower right-hand.	1	<u>DS 822-76d</u>	Support for electrical control. PALLAS.	1
DW 334-211	Finishing rubber for gear change speed lever opening. DS Manual gear change control.	1	DS 822-54a	Facia panel, lower right-hand, (Cold Climates).	1	DW 822-76a	Support for electrical control. DS Manual gear change control.	1
			DW 822-54	Facia panel, lower right-hand, DS Manual gear change control.	1	<u>DW 822-76d</u>	Support for electrical control. Manual control. PALLAS.	1
			DW 822-54a	Facia panel, lower right-hand. (Cold Climates). DS Manual gear change control.	1	DW 822-80	Rubber packing for steering column finisher.	2
						DW 822-83	Rubber surround for assembling support for electrical controls and cover, 135 mm long.	1
						DW 822-99	Finishing strip between facia panel and cover, 105 mm long (R. VI).	1

The numbers underlined indicate new parts which do not appear on the illustration.

370-FACIA (LEFT-HAND STEERING)

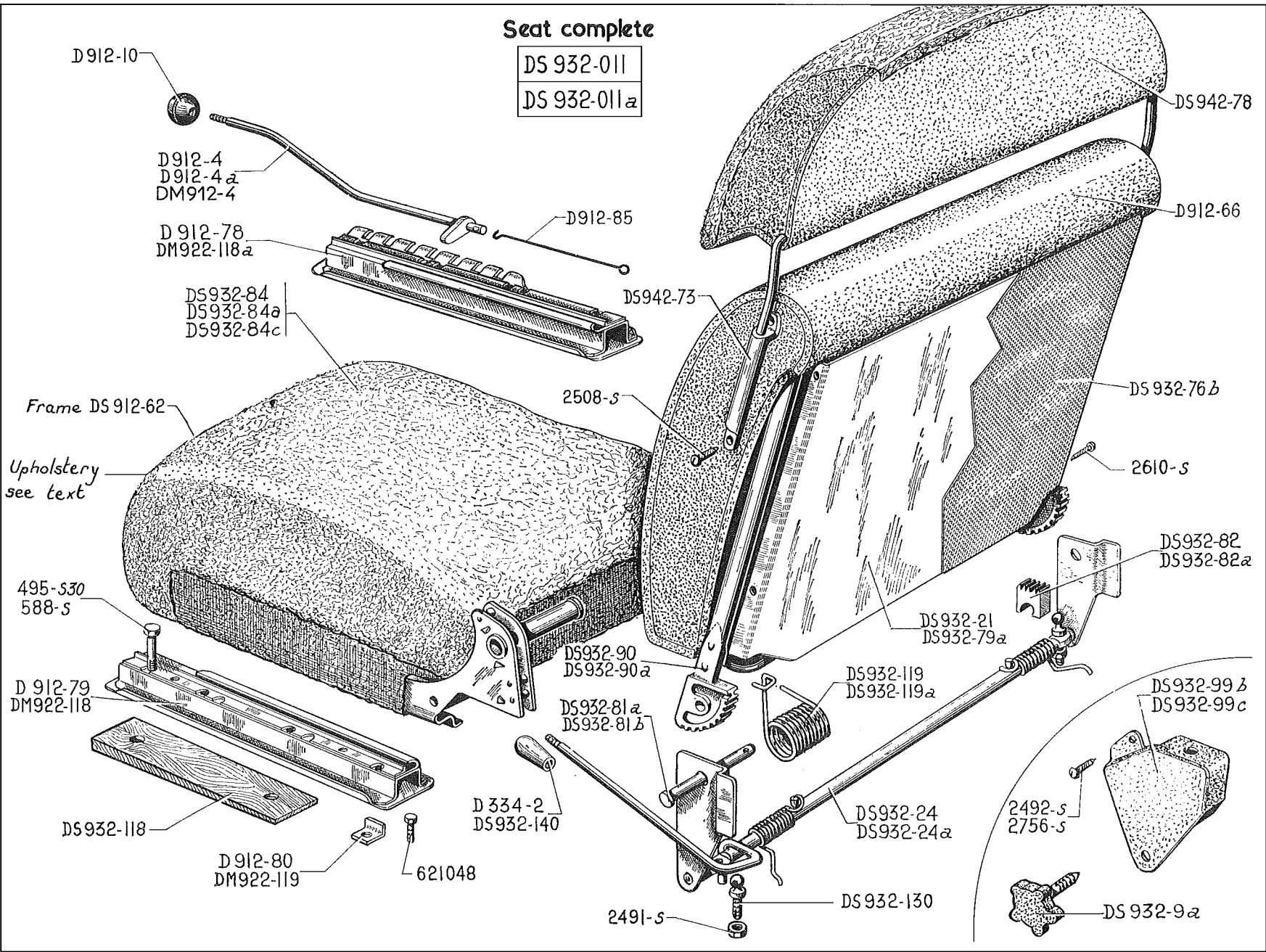
NUMBER	DESCRIPTION	No. OFF	NUMBER	DESCRIPTION	No. OFF	NUMBER	DESCRIPTION	No. OFF
DW 822-100	Buffer, for dashboard, upper part, right-hand. DS manual gear change control.	1	DS 984-3b	Sealing strip, rubber, for windscreen finisher (R. VI). 2,800 mm long (dark grey). January 1963-January 1964.	4	615.711	Nut clip for screws for facia panel and speedometer surround (R. VI).	10
<u>DS 853-2k</u>	Panel under scuttle shelf, carrying radio. Natural leather. PALLAS. Since June 1965.	1	<u>DS 984-3c</u>	Sealing strip for windscreen finisher, 2,800 mm long (light grey). Since January 1964.	4	615.725	Nut securing finisher for steering column (R. VI).	2
<u>DS 853-2m</u>	Panel under scuttle shelf, carrying radio, black leather. PALLAS. Since June 1965.	1	2.312-S	Washer, plain, 5.5 x 9, securing facia panel (R. III).	2	619.122	Washer, 5.5 x 12 x 1 securing facia panel (R. III).	4
<u>DS 853-2n</u>	Panel under scuttle shelf, carrying radio. Since June 1965.	1	2.320-S	Nut, hex., 5 diameter x 75 pitch, securing facia panel (R. III).	2	619.133	Washer, 5.25 x 15 x 1.5, securing facia panel (R. IV).	5
<u>DS 853-48</u>	Panel, under scuttle shelf, with trimming (leather). - PALLAS. - CABRIOLET. Since September 1964. (Specify colour).	1	2.334-S	Washer, shakeproof, 5.2 x 9.4, securing facia panel (R. VI).	8	619.503	Washer, cupped securing metal panel (R. VI).	6
DW 853-69	Finishing panel between windscreen and facia panel.	1	2.502-S 30	Screw, round head, 5 diameter x 12 long, securing facia panel (R. VI).	2	621.062	Screw, hex. head, 5 diameter x 14 long, securing facia panel (R. III).	4
DM 853-75	Plate securing metal panel.	1	2.548-S 30	Screw, round head, 5 diameter x 16.5 long, securing facia panel (R. VI).	1	621.506	Screw, raised head countersunk 5 diameter x 20 long (R. IV) securing: - metal panel. - finisher.	6 2
DS 853-76b	Panel, under scuttle shelf, with fixing plate. September 1962 - September 1964.	1	615.710	Nut clip securing steering finisher (R. VI).	1	621.511	Screw, raised head countersunk, 5 diameter x 20 long, securing speedometer surround (R. VI).	5
<u>DS 853-78b</u>	Panel, bare, under scuttle shelf. Since September 1964.	1				621.512	Screw, raised head countersunk, 4.85 x 19, securing steering column finisher (R. VI).	1
DS 984-3	Sealing strip, rubber, for windscreen finisher (R. VI), by the metre. Until January 1963.	As nec.						

FACIA (RIGHT-HAND STEERING)-373

NUMBER	DESCRIPTION	No. OFF	NUMBER	DESCRIPTION	No. OFF	NUMBER	DESCRIPTION	No. OFF
DW 334-127	Clip securing finisher for lining (R. VI). DS Manual gear change control.	1	DW 822-44a	Cover for support of electrical controls. Manual control. Until September 1964.	1	2.334-S	Washer, shakeproof, 5.2 x 9.4 (R. VI) for securing: - facia panel. - flexible support.	1 8 2
DW 334-127a	Clip securing finisher for lining (R. VI). DS Manual gear change control.	3	DM 822-44b	Cover for support of electrical controls. Manual control. Since September 1964.	1	619.089	Washer for securing flexible support (R. III).	1
DW 334-141a	Finisher for gear change speed lever opening (R. VI). DS Manual gear change control.	1	2.319-S	Nut, hex., 5 x 75 (R. III) for securing: - facia panel. - flexible support.	6 2	619.122	Washer, 5.5 x 12 x 1 for securing facia panel (R. III).	8
DS 334-141b	Finisher for gear change speed lever opening (R. VI). DS.	1	615.710	Nut clip for securing speedometer surround (R. VI).	5	619.503	Washer, cupped, for securing facia panel (R. IV).	14
DS 822-63f	Finisher for steering column opening (R. VI). DS.	1	615.725	Nut with cage for securing speedometer (R. VI).	1	DS 822-60	Support for flexible stop.	1
DW 822-63a	Finisher for steering column opening (R. VI). DS Manual gear change control.	1	DS 822-8	Surround for speedometer (R. VI).	1	DS 822-76b	Support for electrical controls. DS.	1
D 175-92	Flexible buffer.	1	DW 334-118a	Rubber for finishing lining, for passage of gear change lever. DS Manual gear change control.	1	DW 822-76b	Support for electrical controls. Mechanical gear change control.	1
DW 822-52	Flexible packing for facia panel support (upper part), 15 mm high (R. VI).	4	DS 334-211a	Finishing rubber for gear change speed lever opening. DS.	1	DS 853-2f	Finishing panel under scuttle shelf (natural leather). PALLAS & CABRIOLET. Since September 1964.	1
DW 822-52a	Flexible packing for facia panel support (lateral part), 11 mm high (R. VI).	4	DW 334-211a	Finishing rubber for gear change speed lever opening. DS Manual gear change control.	1	DS 853-2i	Finishing panel under scuttle shelf (black leather) PALLAS & CABRIOLET. Since September 1964.	1
DW 822-62	Anti-rattle packing between panel and clip (40 x 20 x 0.8).	3	DS 822-23	Facia panel (upper part) (R. VI).	1	DW 853-48	Panel under scuttle shelf, with trimming. Manual control. PALLAS & CABRIOLET. Since September 1964.	1
DS 822-41	Rubber sealing strip between facia panel and speedometer surround, 195 mm long.	1	DS 822-59	Facia panel, lower, right-hand.	1	DS 853-69a	Finishing panel between windscreen and facia panel.	1
DW 822-83	Rubber surround for assembling support for electrical controls and cover, 135 mm long.	1	DS 822-75	Facia panel, lower, left-hand.	1	DS 853-76c	Panel finishing, under scuttle shelf.	1
DS 822-04b	Cover for support for electrical controls. DS.	1	DS 822-75a	Facia panel, lower, left-hand. Cold climates.	1	2.659	Screw, hex. head, 5 x 13 for securing facia panel (R. III).	4
			D 615-73	Washer, rubber, for securing speedometer surround.	4	621.506	Screw, raised head countersunk, 5 x 20, for securing facia panel (R. VI).	11
						621.511	Screw, raised head countersunk, 5 x 30, for securing surround (R. VI).	5

Seat complete

DS 932-011
DS 932-011 _a



Upholstery
see text

495-s30
588-s

D 912-79
DM922-118

D 912-80
DM922-119

Frame DS 912-62

D 912-78
DM922-118_a

D912-4
D912-4_a
DM912-4

D912-10

DS932-84
DS932-84_a
DS932-84_c

D912-85

2508-s

DS932-90
DS932-90_a

DS932-81_a
DS932-81_b

D 334-2
DS932-140

D 912-80
DM922-119

621048

DS932-118

495-s30
588-s

Upholstery
see text

Frame DS 912-62

D 912-78
DM922-118_a

D912-4
D912-4_a
DM912-4

D912-10

DS932-84
DS932-84_a
DS932-84_c

D912-85

2508-s

DS932-90
DS932-90_a

DS932-81_a
DS932-81_b

D 334-2
DS932-140

D 912-80
DM922-119

621048

DS932-118

495-s30
588-s

Upholstery
see text

Frame DS 912-62

D 912-78
DM922-118_a

D912-4
D912-4_a
DM912-4

D912-10

DS932-84
DS932-84_a
DS932-84_c

D912-85

2508-s

DS932-90
DS932-90_a

DS932-81_a
DS932-81_b

D 334-2
DS932-140

D 912-80
DM922-119

621048

DS932-118

495-s30
588-s

Upholstery
see text

Frame DS 912-62

D 912-78
DM922-118_a

D912-4
D912-4_a
DM912-4

D912-10

DS932-84
DS932-84_a
DS932-84_c

D912-85

2508-s

DS932-90
DS932-90_a

DS932-81_a
DS932-81_b

D 334-2
DS932-140

D 912-80
DM922-119

621048

DS932-118

495-s30
588-s

Upholstery
see text

Frame DS 912-62

D 912-78
DM922-118_a

D912-4
D912-4_a
DM912-4

D912-10

DS932-84
DS932-84_a
DS932-84_c

D912-85

2508-s

DS932-90
DS932-90_a

DS932-81_a
DS932-81_b

D 334-2
DS932-140

D 912-80
DM922-119

621048

DS932-118

495-s30
588-s

Upholstery
see text

Frame DS 912-62

D 912-78
DM922-118_a

D912-4
D912-4_a
DM912-4

D912-10

DS932-84
DS932-84_a
DS932-84_c

D912-85

2508-s

DS932-90
DS932-90_a

DS932-81_a
DS932-81_b

D 334-2
DS932-140

D 912-80
DM922-119

621048

DS932-118

495-s30
588-s

Upholstery
see text

Frame DS 912-62

D 912-78
DM922-118_a

D912-4
D912-4_a
DM912-4

D912-10

DS932-84
DS932-84_a
DS932-84_c

D912-85

2508-s

DS932-90
DS932-90_a

DS932-81_a
DS932-81_b

D 334-2
DS932-140

D 912-80
DM922-119

621048

DS932-118

495-s30
588-s

Upholstery
see text

Frame DS 912-62

D 912-78
DM922-118_a

D912-4
D912-4_a
DM912-4

D912-10

DS932-84
DS932-84_a
DS932-84_c

D912-85

2508-s

DS932-90
DS932-90_a

DS932-81_a
DS932-81_b

D 334-2
DS932-140

D 912-80
DM922-119

621048

DS932-118

495-s30
588-s

Upholstery
see text

Frame DS 912-62

D 912-78
DM922-118_a

D912-4
D912-4_a
DM912-4

D912-10

DS932-84
DS932-84_a
DS932-84_c

D912-85

2508-s

DS932-90
DS932-90_a

DS932-81_a
DS932-81_b

D 334-2
DS932-140

D 912-80
DM922-119

621048

DS932-118

495-s30
588-s

Upholstery
see text

Frame DS 912-62

D 912-78
DM922-118_a

D912-4
D912-4_a
DM912-4

D912-10

DS932-84
DS932-84_a
DS932-84_c

D912-85

2508-s

DS932-90
DS932-90_a

DS932-81_a
DS932-81_b

D 334-2
DS932-140

D 912-80
DM922-119

621048

DS932-118

495-s30
588-s

Upholstery
see text

Frame DS 912-62

D 912-78
DM922-118_a

D912-4
D912-4_a
DM912-4

D912-10

DS932-84
DS932-84_a
DS932-84_c

D912-85

2508-s

DS932-90
DS932-90_a

DS932-81_a
DS932-81_b

D 334-2
DS932-140

D 912-80
DM922-119

621048

DS932-118

495-s30
588-s

Upholstery
see text

Frame DS 912-62

D 912-78
DM922-118_a

D912-4
D912-4_a
DM912-4

D912-10

DS932-84
DS932-84_a
DS932-84_c

D912-85

2508-s

DS932-90
DS932-90_a

DS932-81_a
DS932-81_b

D 334-2
DS932-140

D 912-80
DM922-119

621048

DS932-118

495-s30
588-s

Upholstery
see text

Frame DS 912-62

D 912-78
DM922-118_a

D912-4
D912-4_a
DM912-4

D912-10

DS932-84
DS932-84_a
DS932-84_c

D912-85

2508-s

DS932-90
DS932-90_a

DS932-81_a
DS932-81_b

D 334-2
DS932-140

D 912-80
DM922-119

621048

DS932-118

495-s30
588-s

Upholstery
see text

Frame DS 912-62

D 912-78
DM922-118_a

D912-4
D912-4_a
DM912-4

D912-10

DS932-84
DS932-84_a
DS932-84_c

D912-85

2508-s

DS932-90
DS932-90_a

DS932-81_a
DS932-81_b

D 334-2
DS932-140

D 912-80
DM922-119

621048

DS932-118

495-s30
588-s

Upholstery
see text

Frame DS 912-62

D 912-78
DM922-118_a

D912-4
D912-4_a
DM912-4

D912-10

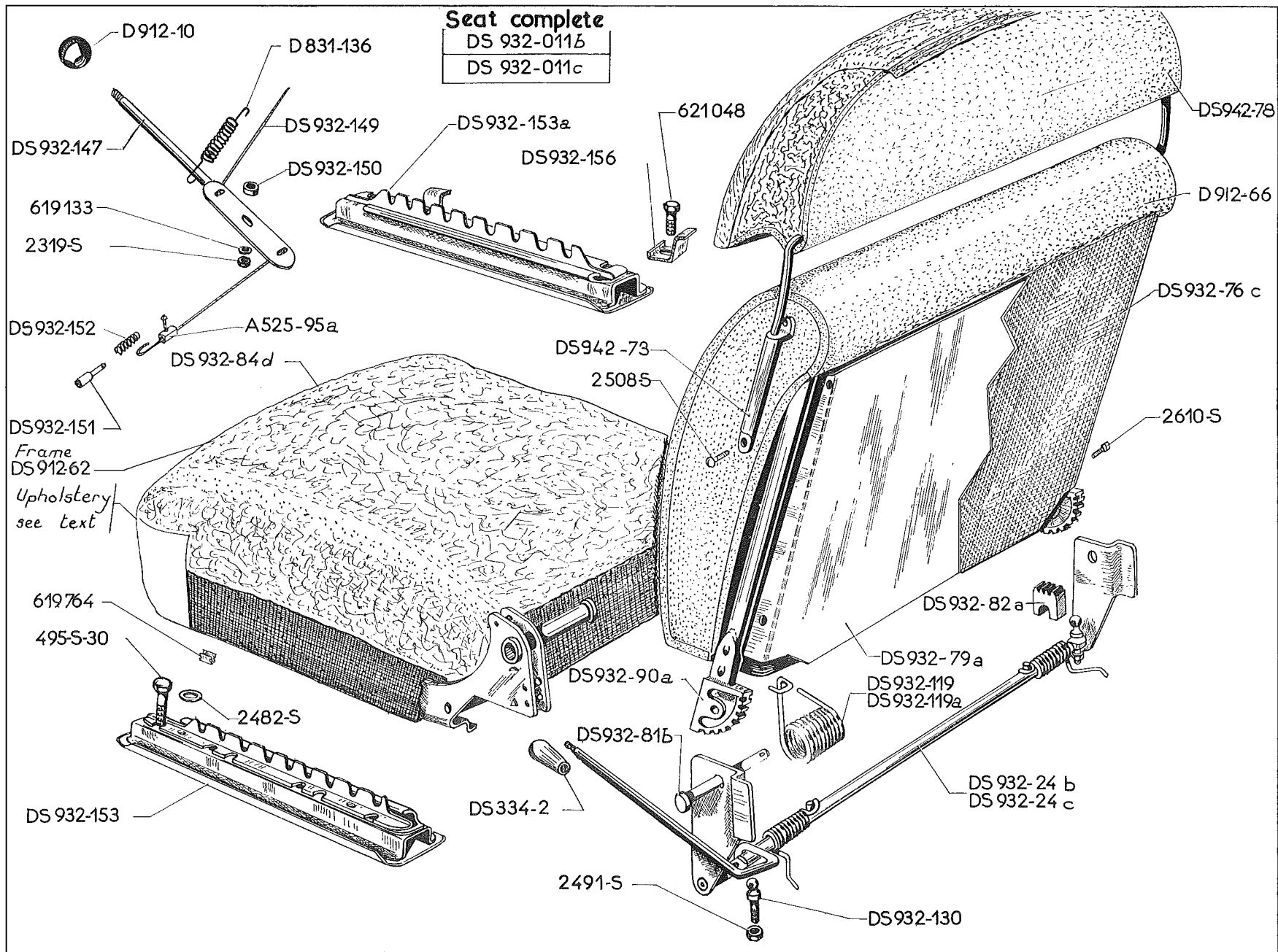
DS932-84
DS932-84_a
DS932-84_c

D912-8

374-FRONT SEATS

NUMBER	DESCRIPTION	No. OFF	NUMBER	DESCRIPTION	No. OFF	NUMBER	DESCRIPTION	No. OFF
	UNTIL JULY 1960							
D 912-4	Lever for locking front seat, 231 mm long. Until December 1959. No longer supplied.	2	DM 922-118a	Support for front seat, right-hand. Since December 1959.	2	DS 932-90	Spring case for squab. Replaced by DS 932-011b for left side or DS 932-011c for right side; order in addition: 1-DS 932-153, 1-DS 932-153a, 1-DS 932-156.	2
D 912-4a	Locking lever for front seat, 197 mm long. Since December 1959.	2	DM 922-119	Stop for front seat (R. VI). Since December 1959.	2	DS 932-99b	Casing, nylon, for swivel of front seat, left-hand (R. VI).	2
D 912-10	Knob for locking lever (R. VI).	2	DS 932-9a	Knob, nylon, for operating swivelling of front seat (R. VI).	4	DS 932-99c	Casing, nylon, for swivel of front seat, right-hand (R. VI).	4
D 912-78	Support for front seat, right-hand. Until December 1959. No longer supplied.	2	DS 932-76b	Lining for squab panel.	2	DS 932-118	Packing under front seat support.	4
D 912-79	Support for front seat, left-hand. Until December 1959.	2	DS 932-81a	Pin for swivelling front seat.	4	DS 942-73	Socket for securing head-rest (R. VI).	2
D 912-80	Stop for front seat. Until December 1959.	2	DS 932-82	Pressure pad locking swivelling of front seat (R. VI).	4	DS 942-78a	Spring case for head-rest, without blades and screws.	1
D 912-85	Return spring for locking lever.	2	DS 932-84	Spring case for cushion. Until December 1959. Replaced by DS 932-011b for left side or DS 932-011c for right side; order in addition: 1-DS 932-153, 1-DS 932-153a, 1-DS 932-156.	2	2. 492-S	Screw, raised head, countersunk, 4 x 8, securing finishing casing on swivel pin (R. VI).	2
DM 922-118	Support for front seat, left-hand. Since December 1959.	2	DS 932-84a	Spring case for cushion. Since December 1959. Replaced by DS 932-011b for left side or DS 932-011c for right side; order in addition: 1-DS 932-153, 1-DS 932-153a, 1-DS 932-156.	2	2. 508-S	Screw, raised head countersunk, 4.85 x 16 (cruciform slot) securing blades (R. VI).	4
						2. 756-S	Screw, round head, 3.5 x 9.5, securing finishing casing on seat frame (R. VI).	2

NUMBER	DESCRIPTION	No. OFF	NUMBER	DESCRIPTION	No. OFF	NUMBER	DESCRIPTION	No. OFF
	JULY 1960/JUNE 1963							
D 334-2	Knob for lever controlling front seat squab (white) (R. VI). Until September 1961.	2	DS 932-011a	Front seat complete, right-hand, without trimming fabric. Replaced by DS 932-011c; order in addition: 1-DS 932-153, 1-DS 932-153a, 1-DS 932-156.	1	DS 932-119	Return spring for squab, left-hand.	2
D 912-4a	Locking lever for front seat, 197 mm long. Until September 1962.	2	DS 932-21	Closing panel for front seat squab. CABRIOLET (R. VI).	2	DS 932-119a	Return spring for squab, right-hand.	2
DM 912-4	Locking lever for front seat. Since September 1962.	2	DS 932-24	Swivelling control for squab, left-hand (R. VI).	1	DS 932-130	Ball pin for positioning pressure pad (R. VI).	4
D 912-10	Knob for front seat locking lever (R. VI).	2	DS 932-24a	Swivelling control for squab, right-hand (R. VI).	1	DS 932-140	Knob (black) for lever controlling front seat squab (R. VI). Since September 1961.	2
DS 912-62	Metallic frame reinforcing cushion (R. VI). Since January 1961.	2	DS 932-76b	Lining for squab panel.	2	DS 942-73	Socket for securing head-rest (R. VI).	2
D 912-66	Rubber lining for squab (R. VI).	2	DS 932-79a	Closing panel only, for front seat squab. BERLINE.	2	DS 942-78a	Spring case for head-rest, without blades and screws.	1
D 912-85	Return spring for locking lever.	2	DS 932-81b	Pin for swivelling front seat squab, 87 mm long (R. VI).	4	495-S 30	Screw, hex. head, 7 diameter x 45 long, securing support (R. III).	4
DM 922-118	Support for front seat, left-hand.	2	DS 932-82a	Pressure pad locking swivelling of front seat (R. VI).	4	588-S	Screw, hex. head, 7 diameter x 50 long, securing support (R. III).	4
DM 922-118a	Support for front seat, right-hand.	2	DS 932-84c	Spring case for cushion. Replaced by DS 332-84d; order in addition: 1-DS 932-147, 1-DS 932-149 (R. VI), 1-DS 932-150 (R. VI), 2-DS 932-151, 2-DS 932-152, 1-DS 932-153, 2-DS 932-153a, 1-DS 932-156.	2	2.491-S	Nut, hex., 7 diameter x 100 pitch, locking positioning ball pin (R. III).	4
DM 922-119	Stop for front seat (R. VI). Until September 1962.	2	DS 932-90a	Spring case for squab.	2	2.508-S	Screw, raised head countersunk, 4.85 x 16 (cruciform slot), securing socket (R. VI).	4
DS 932-011	Front seat complete, left-hand, without trimming fabric. Replaced by DS 932-011b; order in addition: 1-DS 932-153, 1-DS 932-153a, 1-DS 932-156.	1	DS 932-118	Packing under front seat support. Until September 1962.	4	2.610-S	Screw, raised head countersunk, 3.5 x 15, securing panel (R. VI).	12
						621.048	Screw, hex. head, 5 diameter x 22 long, securing stop (R. III). Until September 1962.	2



378-FRONT SEATS

NUMBER	DESCRIPTION	No. OFF	NUMBER	DESCRIPTION	No. OFF	NUMBER	DESCRIPTION	No. OFF
	Since June 1963							
A 525-95a	Trunnion for locking control (R. VI).	4	DS 932-81b	Pin for swivelling front seat squab, 90 mm long (R. VI).	4	2.319-S	Nut, hex. 5 diameter x 75 pitch, securing locking lever (R. III).	2
DS 334-2	Knob for squab control lever (R. VI).	2	DS 932-82a	Pressure pad locking swivelling of front seat (R. VI).	4	2.482-S	Washer, plain, 7.5 x 14 for screws securing bracket (R. III).	8
D 861-136	Return spring for locking lever.	2	DS 932-84d	Spring case for cushion.	2	2.491-S	Nut, hex. 7 diameter x 100 pitch locking positioning ball pin (R. III).	4
D 912-10	Knob for locking lever (R. VI).	2	DS 932-90a	Spring case for squab.	2	2.508-S	Screw, raised head countersunk, 4.85 diameter x 16 long (cruciform slot) securing ferrules (R. VI).	4
DS 912-62	Metallic frame reinforcing cushion (R. VI).	2	DS 932-119	Return spring for squab, left-hand.	2	2.610-S	Screw, raised head, countersunk, 3.5 diameter x 15 long, (cruciform slot), securing closing panel (R. VI).	8
D 912-66	Rubber lining for squab (R. VI).	2	DS 932-119a	Return spring for squab, right-hand.	2	619.133	Washer, plain, 5.25 x 15 x 1.5 for nut securing locking lever (R. VI).	2
DS 932-011b	Front seat complete, left-hand without trimming.	1	DS 932-130	Ball pin for positioning pressure pad (R. VI).	4	619.764	Clip, securing trimming (R. VI).	As nec.
DS 932-011c	Front seat complete, right-hand, without trimming.	1	DS 932-147	Lever for locking seat.	2	621.048	Screw, hex. head, 5 diameter x 22 long, securing rear stop (R. II).	2
<u>DS 942-18b</u>	Closing panel, bare, for squab, right-hand. Since September 1964.	1	DS 932-149	Control cable for locking spindle, 700 mm long (R. VI).	4		SPECIAL PARTS PRESTIGE	
DS 932-24b	Swivelling control for squab, left-hand (R. VI).	1	DS 932-150	Distance piece under locking lever (R. VI).	2	D 923-121	Stud, for cushion, front (R. VI).	2
DS 932-24c	Swivelling control for squab, right-hand (R. VI).	1	DS 932-151	Tongue for seat lock.	2	D 923-22	Front cushion complete (leather trim) (R. VI). No longer supplied.	1
DS 932-76c	Lining (leather cloth) for squab closing panel.	2	DS 932-152	Return spring for locking tongue.	4	D 923-21	Front squab complete (leather trim) (R. VI). No longer supplied.	1
DS 932-79a	Closing panel, bare, for squab, right and left-hand. - Until September 1964. - Front left-hand. Since September 1964.	2 1	DS 932-153	Bracket for seat, left-hand.	2	D 923-120	Clamp for holding front squab (R. VI).	2
			DS 932-153a	<i>Bracket for seat, right-hand with rear stop. Replaced by DS 932 153b.</i>	2	D 923-107	Ear piece for front squab, left-hand (R. VI).	1
			<u>DS 932-153b</u>	Bracket for seat, right-hand, with stop.	2	D 923-107a	Ear piece for front squab, right-hand (R. VI).	1
			DS 932-156	Rear stop for seat. Until October 1964.	2			
			DS 932-156a	Rear stop for seat. Since October 1964.	2			
			DS 942-73	Ferrule securing head rest (R. VI).	2			
			DS 942-78a	Spring case for head rest with ferrules and screws.	1			
			495-S 30	Screw, hex. head, pointed 7 diameter x 45 long, securing bracket (R. III).	8			

380—FRONT SEATS—PALLAS

NUMBER	DESCRIPTION	No. OFF	NUMBER	DESCRIPTION	No. OFF	NUMBER	DESCRIPTION	No. OFF
A 525-95a	Trunnion for locking control cable (R. VI).	4	DS 932-76e	Lining, (leather cloth) for squab closing panel, right-hand, state colour GREY or MID BROWN.	1	495-S 30	Screw, hex. head, pointed, 7 x 45 for securing bracket.	8
DS 334-2	Knob for squab control lever (R. VI)	2	DS 932-81c	Pin for swivelling front seat squab, 90 mm long (R. VI).	4	2.319-S	Nut, hex., 5 x 75 for securing locking lever.	2
D 861-136	Return spring for locking lever.	2	DS 932-82a	Pressure pad locking swivelling (R. VI).	4	2.482-S	Washer, plain, 7.5 x 14, for screws securing support.	8
D 912-10	Knob for locking lever (R. VI).	2	DS 932-84e	Spring case for cushion except LEATHER trimming.	2	2.491-S	Nut, hex., 7 x 100 for locking positioning ball pin.	4
DS 912-62	Metallic frame reinforcing cushion (R. VI).	2	DS 932-84f	Spring case for cushion LEATHER trimming.	2	2.610-S	Screw, raised head, countersunk, 3.5 x 15 (cruciform slot) for securing (R. VI): - closing panel. - head rest ferrule.	8 4
DS 932-17	Sliding rail (stainless steel) for front seat left-hand (R. VI).	2	DS 932-90b	Spring case for squab. Except LEATHER trimming.	2	3.232-S	Washer, cupped, for screws securing closing panel.	8
DS 932-17a	Sliding rail (stainless steel) for front seat right-hand (R. VI).	2	DS 932-90c	Spring case for squab. LEATHER trimming.	2	619.133	Washer, plain, 5.25 x 15 x 1.5 for nuts securing locking lever.	2
DS 932-18	Panel (bare) for closing squab left-hand.	1	DS 932-119	Return spring for squab, left-hand.	2	619.764	Clip, for securing lining (R. VI).	As nec.
DS 938-18a	Panel (bare) for closing squab right-hand.	1	DS 932-119a	Return spring for squab, right-hand.	2	621.048	Screw, hex. head, 5 x 22, for securing rear stop.	2
DS 932-24d	Swivelling control for squab, left-hand (R. VI).	1	DS 932-130	Ball pin for positioning pressure pad (R. VI).	4	CENTRE HEAD REST		
DS 932-24e	Swivelling control for squab, right-hand (R. VI).	1	DS 932-147	Lever for locking seat.	2	NOTE: The trimmed head rests (except LEATHER), are delivered against samples and availability.		
DS 932-25a	Filling, rubber, for cushion (R. VI). Except leather trim.	2	DS 932-149	Control cable for locking spindle, 700 mm long (R. VI).	2	DS 941-51	Head rest, complete (trimmed Rhovylene material).	1
DS 932-25b	Filling, rubber, for cushion (R. VI). Leather trim.	2	DS 932-150	Distance piece under locking lever (R. VI).	2	DS 941-51a	Head rest, complete (trimmed Helanca Lipari material).	1
DS 932-55	Lining, rubber, for squab (R. VI). Except LEATHER trimming.	2	DS 932-151	Tongue for seat lock.	4	DS 941-51b	Head rest, complete EXPORT. (Trimmed with leather cloth Moussel).	1
DS 932-55a	Lining, rubber, for squab (R. VI). LEATHER trimming.	2	DS 932-152	Return spring for locking tongue.	4	DS 941-51c	Head rest, complete (trimmed natural LEATHER).	1
DS 932-76d	Lining, (leather cloth) for squab closing panel, left-hand state colour GREY or MID BROWN.	1	DS 932-153	Bracket for seat, left-hand.	2	DS 941-51e	Head rest complete (trimmed black leather).	1
			DS 932-153b	Bracket for seat, right-hand, with stop.	2			
			DS 932-156a	Rear stop for seat.	2			
			DS 932-162	Plug swivelling hole (R. VI).	4			
			DS 942-73a	Ferrule securing head rest (R. VI).	2			
			DS 942-78b	Spring case for head rest without ferrule or screw.	1			

NUMBER	DESCRIPTION	No. OFF	NUMBER	DESCRIPTION	No. OFF	NUMBER	DESCRIPTION	No. OFF
REAR CUSHION			DM 923-128a	Hook, side, for upper fixing of squab. Since February 1963.	2	LOOSE COVERS		
DM 923-10a	Spring case for rear cushion. Cold Climates.	1	DM 923-135a	Hook, central, for upper fixing of squab. Since February 1963.	1	D 984-100	Set of loose covers for repairs comprising:- - 2 seat trimmings. - 1 rear cushion trimming. - 1 rear squab trimming. Until July 1960.	1
DS 923-10	Spring case for rear cushion. Except Cold Climates.	1	DS 941-82a	Central arm-rest for rear squab with spring case.	1	D 984-100a	Set of loose covers for repairs comprising:- - 2 seat trimmings. - 1 rear cushion trimming. - 1 rear squab trimming. Since July 1960.	1
D 923-90a	Sleeve for positioning rear cushion, 39 mm long (R. VI).	2	DS 941-91	<i>Finishing panel for arm-rest. No longer supplied.</i>	1	SPECIAL PARTS PRESTIGE		
D 923-92	Cup for positioning rear cushion.	2	TRIMMINGS FRONT SEAT			D 923-121	Stud for front cushion (R. VI).	2
135-S	Screw, round head, 5 diameter x 40 long, securing rear cushion (R. III).	2	DS 932-3	Trimming for front seat squab. Until July 1960.	2	D 923-22	<i>Front cushion complete (leather trim) (R. VI). No longer supplied.</i>	1
REAR SQUAB			DS 932-3a	Trimming for front seat squab. Since July 1960.	2	D 923-21	<i>Front squab complete (leather trim) (R. VI). No longer supplied.</i>	1
DM 826-2	Partition between rear squab and boot (arrangement with rear heater group). Cold Climates. Until September 1964.	1	DS 932-7	Trimming for front seat cushion. Until December 1960.	2	D 923-120	Yoke retaining front squab (R. VI).	2
DM 826-2a	Partition between rear squab and boot, (arrangement with rear heater group). Cold Climates. Since September 1964.	1	DS 932-7a	Trimming for front seat cushion. Since December 1960.	2	D 923-107	Lug for front squab, left-hand (R. VI).	1
DM 826-50	Partition between rear squab and boot. Except Cold Climates.	1	DS 942-6b	Trimming for head rest.	1	D 923-107a	Lug for front squab, right-hand (R. VI).	1
REAR SEAT			REAR SEAT					
DS 923-1	Rubber lining (left-hand) for squab.	1	DS 923-2	Trimming for rear seat squab, left-hand.	1			
DS 923-1a	Rubber lining (right-hand) for squab.	1	DS 923-2a	Trimming for rear seat squab, right-hand.	1			
DS 923-5	<i>Spring case for rear seat squab without arm-rest or finishing panel. Until February 1963. Replaced by DM 923-5c; order in addition: 2-DM 923-128a, 1-DM 923-135a.</i>	1	DS 923-11	Trimming for rear seat cushion.	1			
DM 923-5c	Spring case for rear seat squab without arm-rest or finishing panel. Since February 1963.	1	DS 941-78	Trimming for rear seat central arm-rest.	1			

NOTE - The trimmings are only supplied against patterns and if available. We also supply, against an order, coverings and trimmings (sold by the metre).

381A-REAR SEATS AND TRIMMINGS-PALLAS

NUMBER	DESCRIPTION	No. OFF	NUMBER	DESCRIPTION	No. OFF	NUMBER	DESCRIPTION	No. OFF
REAR CUSHION			TRIMMINGS			REAR BENCH SEAT (Natural Leather)		
DS 923-10a	Spring case for rear seat cushion. Except Cold Climates.	1	DS 932-3b	Trimming for front seat squab.	2	DS 923-2b	Trimming for rear seat squab, left-hand.	1
DS 923-10b	Spring case for rear cushion. Cold Climates.	1	DS 932-7a	Trimming for front seat cushion.	2	DS 923-2c	Trimming for rear seat squab, right-hand.	1
D 923-90a	Sleeve for positioning rear cushion, 39 mm long (R. VI).	2	DS 942-6	Trimming for head rest.	1	DS 922-56	Trimming for rear seat cushion.	1
D 923-92	Cup for positioning rear cushion.	2	REAR BENCH SEAT (Except Leather)			DS 941-78a	Trimming for rear central arm rest.	1
135-S	Screw, round head, 5 x 40, for securing rear cushion (R. III).	2	DS 923-2d	Trimming for rear seat squab, left-hand.	1	FRONT SEAT (Black Leather)		
REAR SQUAB			DS 923-2e	Trimming for rear seat squab, right-hand.	1	DS 932-3e	Trimming for front seat squab.	2
DM 826-2a	Partition between rear squab and boot (arrangement with rear heater group). Cold Climates.	1	DS 923-11	Trimming for cushion.	1	DS 932-7c	Trimming for front seat cushion.	2
DM 826-50	Partition between rear squab and boot. Except Cold Climates.	1	DS 941-78b	Trimming for central arm rest.	1	DS 932-10h	Trimmed closing panel for front seat squab, left-hand.	1
DS 923-1d	Rubber lining (left-hand) for squab (R. VI).	1	FRONT SEATS (Natural Leather)			DS 932-10i	Trimmed closing panel for front seat squab, right-hand.	1
DS 923-1e	Rubber lining (right-hand) for squab (R. VI).	1	DS 932-3c	Trimming for front seat squab.	2	DS 942-6c	Trimming for head rest.	1
DS 923-1e	Rubber lining (right-hand) for squab (R. VI).	1	DS 932-7b	Trimming for front seat cushion.	2	REAR BENCH SEAT (Black Leather)		
DS 923-5a	Spring case for rear seat squab, without arm rest or finishing panel.	1	DS 932-10e	Trimmed closing panel for front seat squab, left-hand.	1	DS 923-2f	Trimming for rear seat squab, left-hand.	1
DM 923-128a	Hook, side, for upper fixing of squab.	2	DS 932-10f	Trimmed closing panel for front seat squab, right-hand.	1	DS 923-2g	Trimming for rear seat squab, right-hand.	1
DM 923-135a	Hook, central, for upper fixing of squab.	1	DS 942-6a	Trimming for head rest.	1	DS 922-56a	Trimming for rear seat cushion.	1
DS 941-82b	Central arm for rear squab with spring case.	1				DS 941-78c	Trimming for central arm rest.	1

NOTE: The trimmings (except Leather) are only supplied against patterns and availability.
Catalogue No. 466 - March 1966.

TRIMMING FOR DOORS—PALLAS—381B

NUMBER	DESCRIPTION	No. OFF	NUMBER	DESCRIPTION	No. OFF	NUMBER	DESCRIPTION	No. OFF
DS 651-40b	Map pockets on front door panel, left-hand. State colour GREY or MID BROWN.	1	DS 983-42g	Trimming, upper, with sealing frame for front right-hand door. Specify colour GREY or MID BROWN. Replaces earlier type.	1	DS 983-77	Finishing strip for bottom of front left-hand door panel (R. VI).	1
DS 651-40c	Map pockets on front door panel, right-hand. State colour GREY or MID BROWN.	1	DS 983-43f	Trimming, upper, with sealing frame for rear left-hand door. Specify colour GREY or MID BROWN. Replaces earlier type.	1	DS 983-77a	Finishing strip for bottom of front right-hand door panel (R. VI).	1
DS 651-105	Clip for securing map pockets.	8	DS 983-43g	Trimming, upper, with sealing frame for rear right-hand door. Specify colour GREY or MID BROWN. Replaces earlier type.	1	DS 983-78	Finishing strip for bottom of rear left-hand door panel (R. VI).	1
DS 941-1	Arm rest (bare) for front and rear doors, left-hand (R. VI).	2	DS 983-44	Finishing under handles, interior of doors, left-hand (R. VI).	2	DS 983-78a	Finishing strip for bottom of rear right-hand door panel (R. VI).	1
DS 941-1a	Arm rest (bare) for front and rear doors, right-hand (R. VI).	2	DS 983-44a	Finishing under handles, interior of doors, right-hand (R. VI).	2	DS 983-81	Sealing plug for clip securing door panel (R. VI).	44
D 941-2	Metallic frame for arm rest on front and rear doors, left-hand (R. VI).	2	DS 983-45	Shaped lower finisher for front door panel, left-hand (R. VI).	1	DS 983-87	Clip (stainless steel), for securing door panel (R. VI).	4
D 941-2a	Metallic frame for arm rest on front and rear doors, right-hand (R. VI).	2	DS 983-45a	Shaped lower finisher for front door panel, right-hand (R. VI).	1	DX 983-98	Washer (polyester) under shoulder of window winder (R. VI).	4
DS 983-1i	Trimmed panel for front left-hand door with arm rest and map pockets.	1	DS 983-46	Shaped finisher for rear door panels (R. VI).	2	DS 983-100	Strip for holding upper portion of trimming on front door panel.	2
DS 983-1j	Trimmed panel for front right-hand door with arm rest and map pockets.	1	DS 983-47	Shaped finisher for front door panels (R. VI).	2	DS 983-101	Strip for holding upper portion of trimming on rear door panel.	2
DS 983-2h	Panel, trimmed, for front left-hand door.	1	DS 983-48	Shaped finisher for rear door panels (R. VI).	2	DS 986-92	Shaped portion (stainless steel) for finishing on front pillar, upper part left-hand (R. VI).	1
DS 983-2i	Panel, trimmed, for rear right-hand door.	1	DS 983-71	Panel (bare) with arm rest for rear left-hand door.	1	DS 986-92a	Shaped portion (stainless steel) for finishing on front pillar, upper part, right-hand (R. VI).	1
DS 983-10d	Finishing strip for front left-hand door panel (R. VI).	1	DS 983-71a	Panel (bare) with arm rest for rear right-hand door.	1	DS 986-95	Trimming, lower, on centre pillar, left-hand (R. VI).	1
DS 983-10e	Finishing strip for front right-hand door panel (R. VI).	1	DS 983-75a	Panel (bare) with arm rest for front left-hand door.	1	DS 986-95a	Trimming, lower, on centre pillar, right-hand (R. VI).	1
DS 983-11d	Finishing strip for left-hand rear door panel (R. VI).	1	DS 983-75b	Panel (bare) with arm rest for front right-hand door.	1	DS 986-100	Trimming, upper, (black leather cloth) on centre pillar, left-hand.	1
DS 983-11e	Finishing strip for rear right-hand door panel (R. VI).	1						
DS 983-42f	Trimming, upper, with sealing frame for front left-hand door. Specify colour GREY or MID BROWN. Replaces earlier type.	1						

NOTE - The trimmed panels are delivered against samples and if available.

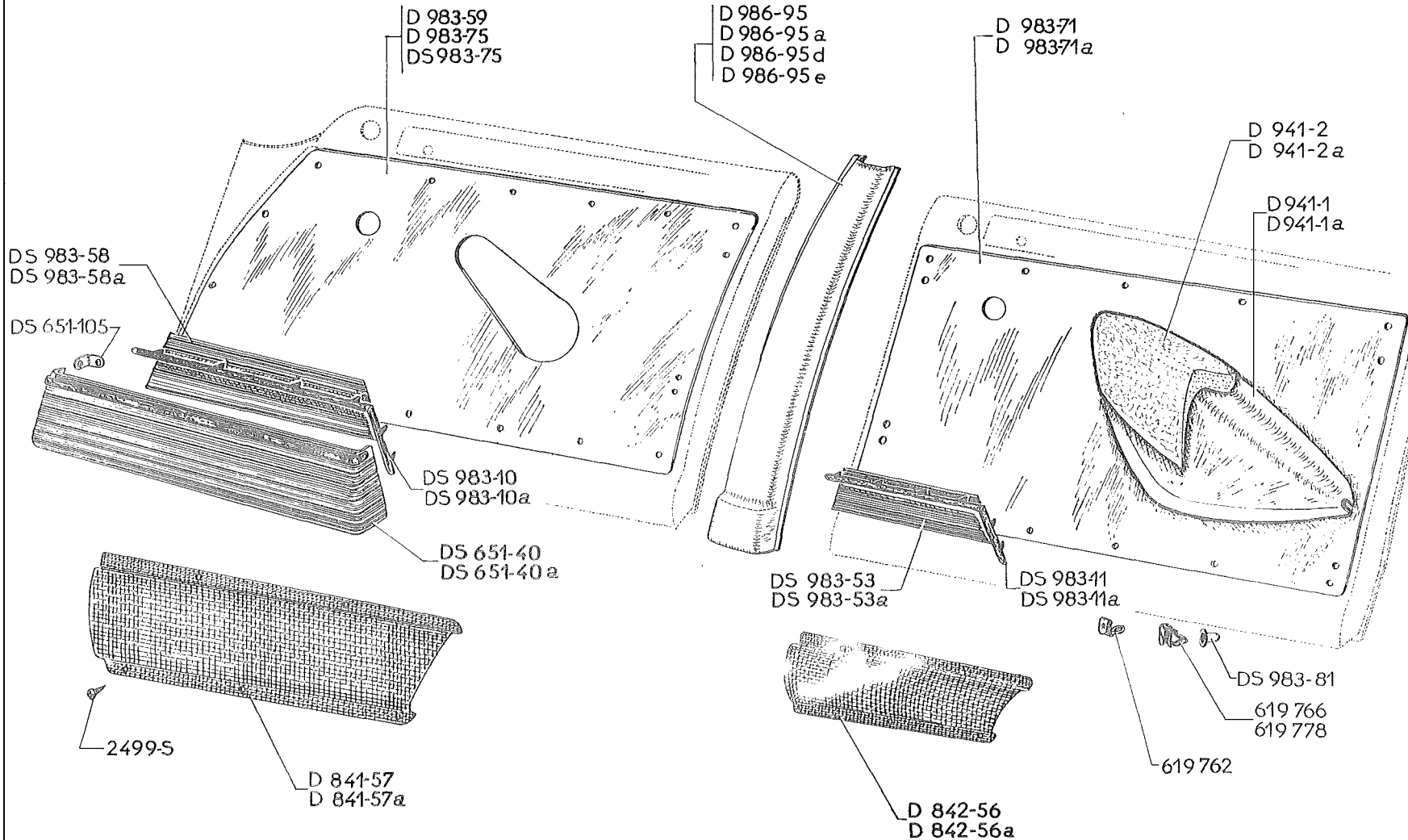
NUMBER	DESCRIPTION	No. OFF	NUMBER	DESCRIPTION	No. OFF	NUMBER	DESCRIPTION	No. OFF
DS 986-100a	Trimming, upper, (black leather cloth) on centre pillar, right-hand.	1	DS 983-43h	Trimming, upper, with sealing frame for rear left-hand door. Replaces earlier type.	1	DS 983-42j	Trimming, upper, with sealing frame for front left-hand door.	1
2.610-S	Screw, Parker, raised head counter-sunk, 3.5 x 15, for securing finishing profile (R. VI).	48	DS 983-43i	Trimming, upper, with sealing frame for rear right-hand door. Replaces earlier type.	1	DS 983-42k	Trimming, upper, with sealing frame for front right-hand door.	1
613.652	Screw, round head, 3.5 x 9.5, for securing finishing strip.	32	DS 986-100b	Trimming, upper, (leather), on centre pillar, left-hand (R. VI).	1	DS 983-43j	Trimming, upper, with sealing frame for rear left-hand door.	1
618.749	Rivet for clip securing door panels (R. VI).	4	DS 986-100c	Trimming, upper, (leather), on centre pillar, right-hand (R. VI).	1	DS 983-43k	Trimming, upper, with sealing frame for rear right-hand door.	1
619.766	Clip for securing panel trimming on doors (R. VI).	40	DS 986-110	Trimming, lower, (leather), on centre pillar, left-hand.	1	DS 986-100d	Trimming, upper, (leather) on centre pillar, left-hand.	1
619.778	Clip for securing panel trimming on doors (R. VI).	4	DS 986-111	Trimming, lower, (leather), on centre pillar, right-hand.	1	DS 986-100e	Trimming, upper, (leather) on centre pillar, right-hand.	1
SPECIAL PARTS Trimming (Natural Leather)			SPECIAL PARTS Trimming (Black Leather)			DS 986-110a	Trimming, lower, (leather) on centre pillar, left-hand.	1
DS 651-40d	Map pockets on front door panel, left-hand.	1	DS 651-40f	Map pockets on front door panel, left-hand.	1	DS 986-111a	Trimming, lower, (leather) on centre pillar, right-hand.	1
DS 651-40e	Map pockets on front door panel, right-hand.	1	DS 651-40g	Map pockets on front door panel, right-hand.	1	HANDLE MOUNTING		
DS 983-1r	Trimmed panel for front left-hand door with arm rest and map pockets.	1	DS 983-1t	Trimmed panel for front left-hand door with arm rest and map pockets.	1	DS 944-1	Handle mounting on centre pillar. Except LEATHER (R. VI).	2
DS 983-1s	Trimmed panel for front right-hand door with arm rest and map pockets.	1	DS 983-1u	Trimmed panel for front right-hand door with arm rest and map pockets.	1	DS 944-1a	Handle mounting on centre pillar. LEATHER. (Specify colour).	2
DS 983-2j	Trimmed panel for rear left-hand door.	1	DS 983-2m	Trimmed panel for rear door, left-hand.	1	DS 944-1b	Handle mounting on centre pillar. BLACK LEATHER.	2
DS 983-2k	Trimmed panel for rear right-hand door.	1	DS 983-2n	Trimmed panel for rear door, right-hand.	1	DS 944-93	Screw, cruciform slot, 7 x 28, for securing handle mounting (R. VI).	2
DS 983-10f	Finishing strip for front left-hand door panel (R. VI).	1	DS 983-10f	Finishing strip for front left-hand door panel (R. VI).	1	DS 944-94	Finisher, (chromed), for handle mounting, left-hand (R. VI).	1
DS 983-10g	Finishing strip for front right-hand door panel (R. VI).	1	DS 983-10g	Finishing strip for front right-hand door panel (R. VI).	1	DS 944-95	Finisher, (chromed), for handle mounting, right-hand (R. VI).	1
DS 983-42h	Trimming, upper, with sealing frame for front left-hand door. Replaces earlier type.	1				615.600	Special nut for screws securing handle mounting (R. VI).	2
DS 983-42i	Trimming, upper, with sealing frame for front right-hand door. Replaces earlier type.	1						

Front door panels complete

D841-17	DS 983-1h
D841-18	DS 983-1k
DS 983-1f	DS 983-1n
DS 983-1g	DS 983-1p

Rear door panels complete

D 842-18
D 842-19
DS 983-2f
DS 983-2g

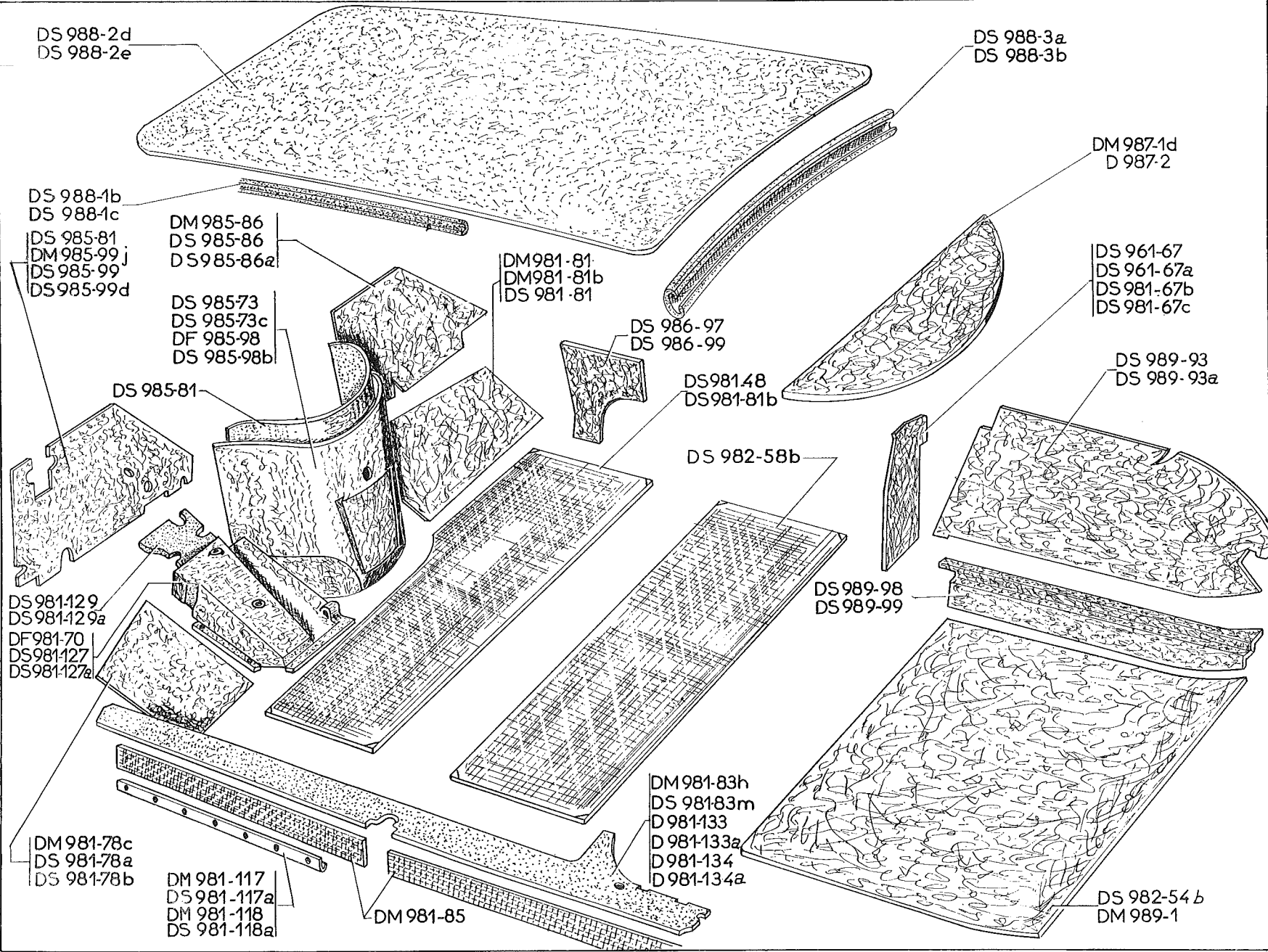


382-DOOR TRIMMINGS (EXCEPT PALLAS)

NUMBER	DESCRIPTION	No. OFF	NUMBER	DESCRIPTION	No. OFF	NUMBER	DESCRIPTION	No. OFF
DS 651-40	Pockets made up for left-hand front door panel. Since July 1963.	1	DS 983-1g	Panel, trimmed, for front left-hand door (without arm-rest or pockets). Until July 1963.	1	D 983-59	Panel (only) without arm rest, for front door, left-hand. BERLINE.	1
DS 651-40a	Pockets made up for front door panel, right-hand. Since July 1963.	1	DS 983-1h	Panel, trimmed, for front right-hand door (with arm-rest, without pockets). Until July 1963.	1	D 983-71	Panel (only) with arm rest, for rear door, left-hand. BERLINE.	1
DS 651-105	Clip for securing pockets on front panel. Since July 1963.	8	DS 983-1k	Panel, trimmed, for front left-hand door (without arm-rest, with pockets). Since July 1963.	1	D 983-71a	Panel (only) with arm rest, for rear door, right-hand. BERLINE.	1
D 841-17	Panel (leather trim) for front door, left-hand. PRESTIGE.	1	DS 983-1m	Panel, trimmed, for front left-hand door (with arm-rest and pockets). Since July 1963.	1	D 983-75	Panel (only) with arm rest, for front door, right-hand. BERLINE.	1
D 841-18	Panel (leather trim) for front door, right-hand. PRESTIGE.	1	DS 983-1p	Panel, trimmed, for front right-hand door (with arm-rest and pockets). Since July 1963.	1	DS 983-75	Panel (only) with arm rest, for front door, left-hand. BERLINE.	1
D 841-57	Protection strip for bottom of front door, 523 mm long, left-hand.	1	DS 983-2f	Panel, trimmed, for rear left-hand door.	1	DS 983-81	Plug sealing clip securing door panel (R. VI).	44
D 841-57a	Protection strip for bottom of front door, 523 mm long, right-hand.	1	DS 983-2g	Panel, trimmed, for rear right-hand door.	1	<u>DS 983-87</u>	Clip (stainless steel) for securing door panels (R. VI).	4
D 842-18	Panel, (leather trim) for rear door, left-hand. PRESTIGE.	1	DS 983-10	Finishing beading for front door panel, left-hand (R. VI).	1	D 986-95	Trim, lower, on centre pillar, left-hand (beige) (R. VI). Until September 1962.	1
D 842-19	Panel, (leather trim) for rear door, right-hand. PRESTIGE.	1	DS 983-10a	Finishing beading for front door panel, right-hand (R. VI).	1	<u>DS 986-95b</u>	Trim, lower, on centre pillar, left-hand (grey red tinted) (R. VI). Since October 1964. Replaces earlier type.	1
D 842-56	Protection strip for bottom of rear door, 350 mm long, left-hand.	1	DS 983-11	Finishing beading for rear door panel, left-hand (R. VI).	1	<u>DS 986-95c</u>	Trim, lower, on centre pillar, right-hand (grey red tinted) (R. VI). Since October 1964. Replaces earlier type.	1
D 842-56a	Protection strip for bottom of rear door, 350 mm long, right-hand.	1	DS 983-11a	Finishing beading for rear door panel, right-hand (R. VI).	1	2.499-S	Screw, P.K. 3.5 x 9.5, for securing protection strip for bottom of doors (R. VI).	As nec.
D 941-1	Arm-rest (only), for front and rear doors, left-hand (R. VI).	2	DS 983-53	Trimming, for lower edge of rear left-hand door.	1	<u>618.749</u>	Rivet for clip securing door panels (R. VI).	4
D 941-1a	Arm-rest (only), for front and rear doors, right-hand (R. VI).	2	DS 983-53a	Trimming, for lower edge of rear right-hand door.	1	619.762	Clip securing panel (R. VI). Until May 1957.	As nec.
D 941-2	Spring case for front and rear door arm-rest, left-hand (R. VI).	2	DS 983-58	Trimming, for lower edge of front left-hand door.	1	619.766	Clip securing door trimming panel (R. VI). Since May 1957.	40
D 941-2a	Spring case for front and rear door arm-rest, right-hand (R. VI).	2	DS 983-58a	Trimming, for lower edge of front right-hand door.	1	619.778	Clip securing door trimming panel (R. VI). Since May 1957.	4
DS 983-1f	Panel, trimmed, for front left-hand door (with arm-rest, without pockets). Until July 1963.	1						

NOTE - The trimmed panels are only supplied against patterns and if available.
 Catalogue No. 466 - March 1966. The numbers underlined indicate new parts which do not appear on the illustration.

384-LININGS AND SOUND DEADENING OF BODY



LININGS AND SOUND DEADENING OF BODY (EXCEPT PALLAS) -385

NUMBER	DESCRIPTION	No. OFF	NUMBER	DESCRIPTION	No. OFF	NUMBER	DESCRIPTION	No. OFF
	ROOF							
DS 988-1b	Finishing strip, rubber (grey) for inside of roof, 3.850 m long (R. VI).	1	DM 981-83m	<i>Lining for sidemember and body siderail, right hand. BERLINE. Until January 1965. Replaced by DS 981-44f.</i>	1	DM 985-86	Lining (felt) for dashframe, upper part, right-hand. Until September 1962.	1
DS 988-1c	Finishing strip, rubber (beige) for inside of roof, 3.850 m long (R. VI).	1	DM 981-85	Lining (aluminium appearance) for body siderail.	4	DS 985-86	Lining for dashframe, upper, right-hand. Since September 1962.	1
DS 988-2d	Sound deadening lining with cloth, for roof (grey).	1	DM 981-117	Frame for sealing lining of front doors. U.S.A. Until September 1962.	2	DF 985-98	Lining (felt) for engine housing panel, central part. Until February 1961.	1
DS 988-2e	<i>Sound deadening lining with cloth, for roof (beige). No longer supplied.</i>	1	DS 981-117a	Frame for sealing lining of front doors. Since September 1962.	2	DS 985-98b	Lining (felt) for engine housing panel, central part. February 1961 - September 1962.	1
	DASHFRAME							
<u>DS 981-44e</u>	Lining for sidemember and body siderail, left-hand. BERLINE. Since January 1965.	1	DM 981-118	Frame for sealing lining of rear doors. U.S.A. Until September 1962.	2	DS 985-99	Lining (felt) for dashframe, upper, left-hand. Until September 1962.	1
<u>DS 981-44f</u>	Lining for sidemember and body siderail, right-hand. BERLINE. Since January 1965.	1	DS 981-118a	Frame for sealing lining of rear doors. Since September 1962.	2	DS 985-99d	Lining for dashframe, upper, left-hand. Since September 1962.	1
DF 981-70	Lining for brake pedal panels. July 1961 - September 1962.	1	DS 981-127	Lining for brake pedal panel (R. VI). Since September 1962.	1	DS 986-97	Lining for lateral scuttle panel, right-hand. Since September 1962.	1
DS 981-78a	Lining for dashframe panel, lower, left-hand. July 1961 - September 1962.	1	DS 981-129	Sound deadening felt for brake pedal panel. Since September 1962.	1	DS 986-99	Lining for lateral scuttle panel, left-hand. Since September 1962.	1
DS 981-78b	Lining for dashframe panel, lower, left-hand. Since September 1962.	1	D 981-133	Front lining for sidemember, left-hand (R. VI). PRESTIGE.	1		REAR WINDOW	
DM 981-81	<i>Lining for dashframe panel, lower, right-hand. Until September 1962. Replaced by DS 981-81.</i>	1	D 981-133a	Front lining for sidemember, right-hand (R. VI). PRESTIGE.	1	DM 987-1d	Lining for rear shelf. BERLINE. Replaces previous type.	1
DS 981-81	Lining for dashframe panel, lower, right-hand. Since September 1962.	1	D 981-134	Rear lining for sidemember, left-hand (R. VI). PRESTIGE.	1	D 987-2	Lining for rear shelf (R. VI). PRESTIGE.	1
DM 981-83h	<i>Lining for sidemember and body siderail, left-hand. BERLINE. Until January 1965. Replaced by DS 981-44e.</i>	1	D 981-134a	Rear lining for sidemember, right-hand (R. VI). PRESTIGE.	1	DS 988-3a	Lining, upper, for rear window (grey).	1
			DS 985-73	Lining for engine housing panel. September 1962 - July 1963.	1	DS 988-3b	<i>Lining, upper, for rear window (beige). No longer supplied.</i>	1
			DS 985-73c	Lining for engine housing panel. Since July 1963.	1			
			DS 985-81	Covering (cardboard) for lining of engine housing panel (R. VI). February 1961 - September 1962.	1			

The numbers underlined indicate new parts which do not appear on the illustration.

LININGS AND SOUND DEADENING OF BODY (EXCEPT PALLAS) - 385A

NUMBER	DESCRIPTION	No. OFF	NUMBER	DESCRIPTION	No. OFF	NUMBER	DESCRIPTION	No. OFF
REAR BOOT			FLOOR PANELS			SPECIAL PARTS R.H. STEERING Since November 1963		
DS 981-67	Lining (felt) for wheel arch closing panel, left-hand. Until September 1962.	1	DS 981-48	<i>Lining (felt) for crossmember under front seats. Until January 1965. Replaced by DS 981-48c.</i>	1	DM 981-78c	Lining for dashframe, lower part, left-hand.	1
DS 981-67a	Lining (felt) for wheel arch closing panel, right-hand. Until September 1962.	1	<u>DS 981-48c</u>	Lining (felt) for crossmember, under front seats, (R. VI). Since January 1965.	1	DM 981-81b	Lining for dashframe, lower part, right-hand.	1
DS 981-67b	Lining (felt) for wheel arch closing panel, left-hand. Since September 1962.	1	DS 982-58b	<i>Lining for sound deadening under rear carpet. Replaced by DS 982-58c.</i>	1	DS 985-86a	Lining (felt) for dashframe, upper part, right-hand.	1
DS 981-67c	Lining (felt) for wheel arch closing panel, right-hand. Since September 1962.	1	DS 982-58c	Lining for sound deadening under rear carpet.	1	DM 985-99j	Lining (felt) for dashframe, upper part, left-hand.	1
DS 982-54b	Sound deadening lining for bottom of rear boot. Since September 1962.	1	<u>DS 982-81b</u>	Lining for sound deadening under front carpet. Since September 1962. Replaces earlier type.	1	DS 981-127a	Lining for brake pedal panels.	1
<u>D 989-1</u>	Lining (felt) for bottom of boot.	1				DS 981-129a	Felt anti-rattle material for brake pedal panels.	1
DM 989-1	<i>Lining (felt) for bottom of boot. Replaced by D 989-1.</i>	1						
DS 989-93	Lining (felt) on wheel arch, left-hand.	1						
DS 989-93a	Lining (felt) on wheel arch, right-hand.	1						
DS 989-98	Lining (felt) on rear sidemember, right-hand.	1						
DS 989-99	Lining (felt) on rear sidemember, left-hand.	1						

The numbers underlined indicate new parts which do not appear on the illustration.

386-LININGS AND SOUND DEADENING OF BODY—PALLAS

NUMBER	DESCRIPTION	No. OFF	NUMBER	DESCRIPTION	No. OFF	NUMBER	DESCRIPTION	No. OFF
ROOF								
DS 988-2d	Sound deadening lining with cloth for roof.	1	DS 981-118a	Frame for sealing lining of rear doors.	2	DS 985-99f	Lining for dashframe, upper, left-hand. Except Manual gear change control. L.H. steering.	1
DS 988-59a	Lining (grey) for finishing interior roof (rear and rear side parts).	1	DS 981-127a	Lining for brake pedal panel. R.H. steering.	1	DS 985-99h	Lining for dashframe, upper, left-hand. R.H. steering.	1
DS 988-62a	Lining (grey) for finishing interior roof (front and front side parts).	1	DS 981-127b	<i>Lining for brake pedal panel. L.H. steering. Replaced by DS 981-72.</i>	1	DW 985-99d	Lining for dashframe, upper, left-hand. Manual gear change control. L.H. steering.	1
DS 988-65	Shaped portion (stainless steel) for finishing interior of roof, lateral part, left-hand.	1	DS 981-129a	Sound deadening felt for brake pedal panel. R.H. steering.	1	DS 986-56	Lining for scuttle panel left-hand. L.H. steering.	1
DS 988-66	Shaped portion (stainless steel) for finishing interior of roof, lateral part, right-hand.	1	DS 981-129b	Sound deadening felt for brake pedal panel. L.H. steering.	1	DS 986-56a	Lining for scuttle panel, left-hand. R.H. steering.	1
DS 988-83	Joint cover (stainless steel) for sun visor support and roof finisher (R.VI).	2	DS 981-161	Shaped portion (stainless steel) for lining above sidemember, left-hand (R. VI).	1	DS 986-57	Lining for scuttle panel, right-hand	1
DS 988-104	Clip for securing interior finishing on roof, front part.	6	DS 981-162	Shaped portion (stainless steel) for lining above sidemember, right-hand (R. VI).	1	2756-S	Screw, Parker, 3 x 10, for securing lining on siderail and sidemember (R. VI).	16
619.834	Clip for securing finishing, interior, on roof (R. VI).	36				REAR WINDOW		
DASHFRAME						DS 987-1f	Lining for rear shelf. Except leather equipment.	1
DS 981-46	Lining (stainless steel) for body siderail, front part, left-hand (R. VI).	1	DS 981-163	Shaped portion (stainless steel) for lining above sidemember, front part, left-hand (R. VI).	1	DS 987-1h	Lining for rear shelf. Leather equipment.	1
DS 981-46a	Lining (stainless steel) for body siderail, front part, right-hand (R.VI).	1	DS 981-164	Shaped portion (stainless steel) for lining above sidemember, front part, right-hand (R. VI).	1	BOOT		
DS 981-47	Lining (stainless steel) for body siderail, rear part, left-hand (R. VI).	1	DS 981-165	Shaped portion (stainless steel) for sidemember, rear part, left-hand (R. VI).	1	DS 981-67d	Lining (felt) for wheel arch closing panel, left-hand.	1
DS 981-47a	Lining (stainless steel) for body siderail, rear part, right-hand (R. VI).	1	DS 981-166	Shaped portion (stainless steel) for lining above sidemember, rear part, right-hand (R. VI).	1	DS 981-67e	Lining (felt) for wheel arch closing panel, right-hand.	1
DS 981-78b	Lining for dashframe panel, lower, left-hand. L.H. steering.	1	DS 985-73a	Lining for engine housing panel. L.H. steering.	1	D 989-1	Lining (felt) for bottom of boot.	1
DS 981-78c	Lining for dashframe panel, lower, left-hand. R.H. steering.	1	DS 985-73b	Lining for engine housing panel. R.H. steering.	1	DS 989-93	Lining (felt) on wheel arch, left-hand.	1
DS 981-81	Lining for dashframe panel, lower, right-hand. L.H. steering.	1	DS 985-86c	Lining for dashframe, upper, right-hand. L.H. steering.	1	DS 989-93a	Lining (felt) on wheel arch, right-hand	1
DS 981-81b	Lining for dashframe panel, lower, right-hand. R.H. steering.	1	DS 985-86d	Lining for dashframe, upper, right-hand. R.H. steering.	1	DS 989-98	Lining (felt) on rear sidemember, right-hand.	1
DS981-83w	Lining for sidemember and body siderail, left-hand.	1	DW 985-86	Lining for dashframe, upper, right-hand. Manual gear change control. R.H. steering.	1	DS 989-99	Lining (felt) on rear sidemember, left-hand.	1
DS 981-83x	Lining for sidemember and body siderail, right-hand.	1				FLOOR PANELS		
DS981-117a	Frame for sealing lining of front doors.	2				DS 981-45	Lining (felt) for rear floor cross-member. Specify colour.	1
						DS 981-48b	Lining (felt) for crossmember under front seats (state the colour).	1
						DS 982-58c	Lining, sound deadening, under rear carpet.	1
						DS 982-81b	Lining, sound deadening, under front carpet.	1

NOTE - For the lining for dashframe, rear window, boot, state the colour.

NUMBER	DESCRIPTION	No. OFF	NUMBER	DESCRIPTION	No. OFF	NUMBER	DESCRIPTION	No. OFF
	HEAD-REST							
DS 942-94b	Head-rest spring case for quarter panel, left-hand. Except PALLAS.	1	DS 971-50	Spring for swan neck spindle (R. VI).	2	DS 981-7	Front carpet (R. VI). Until September 1962.	1
DS 942-94c	Head-rest spring case for quarter panel, right-hand. Except PALLAS.	1	DS 971-54	Return spring for hood articulation (R. VI).	2	DS 981-7a	Front carpet (R. VI). Since September 1962.	1
DS 942-94d	Head-rest spring case for quarter panel, left-hand. PALLAS.	1	DS 971-56	Screw securing hood articulation rods (R. VI).	12	DS 981-8	Rear carpet (R. VI). Until September 1962.	1
DS 942-94e	Head-rest spring case for quarter panel, right-hand. PALLAS.	1		CARPET BERLINE		DS 981-8a	Rear carpet (R. VI). Since September 1962.	1
DS 942-2b	Lining, made up, for head-rest, left-hand. PALLAS.	1	DS 982-58c	Sound deadening lining under rear carpet. Replaces earlier type.	1		PRESTIGE	
DS 942-2c	Lining, made up, for head-rest, right-hand. PALLAS.	1	DS 982-81b	Sound deadening lining under front carpet.	1	D 981-7	Front carpet (R. VI). Until September 1962.	1
3.230-S	Washer, cupped, 3.5 for screw securing head-rest (R. VI).	2	D 981-1a	Front carpet. Until July 1960.	1	DS 981-7b	Front carpet (R. VI). Since September 1962.	1
2.610-S	Screw, Parker, raised head counter-sunk, 3.5 x 15, for securing head-rest (R. VI).	2	DS 981-1c	Front carpet. July 1960 - September 1962.	1	D 981-8	Rear carpet (R. VI).	1
	HOOD CABRIOLET		DS 981-1g	Front carpet. Since September 1962.	1		FIXING	
DS 854-39	Finishing strip for hood, left-hand (R. VI).	1	DM 981-1v	Front carpet. R.H. steering. Except PALLAS. Since November 1963.	1	DS 981-138	Clip, female, for carpet, with peg (R. VI). Since June 1961.	6
DS 854-39a	Finishing strip for hood, right-hand (R. VI).	1	DS 981-1i	Front carpet. L.H. steering. PALLAS.	1	70.029	Press-fastener securing carpet (R. VI). Until January 1957.	6
DS 971-39	Clamp for hood, left-hand (R. VI).	1	DS 981-1j	Front carpet. R.H. steering. PALLAS.	1	613.159	Ball catch securing carpet on cross-rail (R. VI). January 1957 - June 1961.	6
DS 971-39a	Clamp for hood, right-hand (R. VI).	1	DS 981-2e	Rear carpet. Since September 1962. Except PALLAS.	1	614.158	Cap for press-fastener securing carpet (R. VI). Until June 1961.	6
DS 971-49	Spindle for swan neck (R. VI).	2	DS 981-2h	Rear carpet. PALLAS.	1	D 981-90	<i>Plate with press-fastener securing carpet. Until January 1957. Replaced by DS 981-90; order in addition: 1-613.159 (R. VI).</i>	6
DS 972-01	Hood trimmed (without frame) (R. VI).	1		CABRIOLET		DS 981-90	Plate with press-fastener securing carpet. January 1957 - June 1961.	6
DS 854-38	Cover joint for hood finisher (R. VI).	1	DS 982-81b	Sound deadening lining under front carpet.	1	DS 981-146	Plate and male clip assembled fixing carpet. Since June 1961.	6
DS 972-3	Loose cover for hood (R. VI).	1				2.746-S	Screw, P. K. round head, 4.85 x 16 securing plate (R. VI).	6
DS 971-38	Handle for operating hood (R. VI).	1						
DS 971-81	Rubber strip under hood sidemember left-hand (R. VI).	1						
DS 971-81a	Rubber strip under hood sidemember right-hand (R. VI).	1						

NOTE - For the Cabriolet and Pallas state colours: for the carpet, carpet clips and leather for the seats.

388-SAFETY HARNESS

NUMBER	DESCRIPTION	No. OFF	NUMBER	DESCRIPTION	No. OFF	NUMBER	DESCRIPTION	No. OFF
	FIXING							
DS 616-87	Anchor ring, for harness on floor (R. VI). Until April 1964.	10	615.530	Nut, special, for securing anchor ring (R. III). Since April 1964.	6	DS 616-94	Washer, 64 x 49.5 x 4 with flat for reinforcement under floor (R. VI).	4
AM 616-87	Anchor ring, for harness on floor (R. VI). Since April 1964.	10	619.634	Grommet, male and female, for passage of harness under rear carpet (R. VI).	2	2.662-S	Washer, plain, 12.5 x 22 for plate securing ring, central part (R. III).	2
DS 616-1	Safety harness, 3 strap (R. VI). Except GERMANY.	4	DS 616-88	Plate, securing harness on centre pillar.	2	2.694-S	Washer, shakeproof, 12.5 x 22 for ring fixing (R. VI).	10
DS 616-1a	Safety harness, 3 strap (R. VI). GERMANY.	4	DS 616-97	Plate, securing harness on floor (R. VI).	1	621.089	Screw, (chrome head), securing plate on centre pillar, threaded 9 diameter x 125 pitch, length under head 22 mm (R. VI).	4
2.300-S	Nut, hex., 12 diameter x 125 pitch, securing anchor ring (R. III). Until April 1964.	6						